



Great Plains

Manufacturing, Inc.

www.greatplainsmfg.com

**Seed and Fertilizer Rate Charts for
2009+ Yield-Pro® Planter Models
YP1225 s/n A1111K+
YP1625 s/n A1190B+**

The following pages are to assist in the proper setting of seeding and fertilizer rates for the 2009+ 30-foot and 40-foot (12m) two-section Yield-Pro® Planter. To assure the most accurate seeding rates, Great Plains recommends checking singulated rates, and calibrating for fertilizer application rate at the time of planting.



Table of Contents

Introduction	1	RPM Limits: 6 Finger.....	32
Covered Models	1	RPM Limits: 12 Finger.....	33
Covered YP1225 Models	1	Ground Drive Finger Meter Charts	34
Covered YP1625 Models	1	20in Rows, 6 Finger	34
Document Family.....	1	20in Rows,12 Finger	35
Setting Planting Rate.....	1	Twin Row 30in, 6 Finger, Low Range	36
Setting Fertilizer Rate	1	Twin Row 30in, 6 Finger, High Range.....	37
Singulated Planting Overview	2	Twin Row 30in,12 Finger.....	38
Singulated Rate Setting Overview	2	30in Rows, 6 Finger	39
Hydraulic Drive Meter Rate	3	30in Rows,12 Finger, Low Range	40
Ground Drive Meter Rate	4	30in Rows,12 Finger, High Range	41
Drive Speed Range Sprockets	5	Twin Row 36in, 6 Finger.....	42
Transmission Sprockets.....	5	Twin Row 36in,12 Finger.....	43
Checking Planting Rate	6	36in Rows, 6 Finger	44
Checking Singulated Rates.....	6	36in Rows,12 Finger	45
Singulated Seed Spacing	7	Finger Meter Sprocket Indexing (Stagger)	46
(U.S. Customary Units, page 1 of 2)	8	Sprocket Indexing Charts	47
(U.S. Customary Units, page 2 of 2)	9	30in Twin Row Sprocket Indexing.....	48
Singulator Plus Meter Planting	10	36in Twin Row Sprocket Indexing.....	48
Reading a Singulator Plus Rate Chart.....	10	Indexing Fine Adjustment.....	50
RPM Limit Charts.....	12	6-Finger Meter Stagger Adjustment.....	50
RPM Limits: Cotton 120 Cell	12	12-Finger Meter Stagger Adjustment.....	51
RPM Limits: Milo 102 Cell	13	Fertilizer Rate	52
RPM Limits: Milo 135 Cell	14	Orifice Plate Selection	52
RPM Limits: Milo 270 Cell	15	Determine Orifice Size	53
RPM Limits: Soybean 100 Cell.....	16	Ground Drive Fertilizer Rate.....	54
RPM Limits: Soybean 110 Cell.....	17	Setting Relief Valve.....	57
Singulator Plus Ground Drive Charts	18	Strainer.....	57
Cotton, 30in, 120 Cell.....	18	Appendix A - Seed Lubricants	58
Cotton, 36in, 120 Cell.....	19	Appendix B - Metric Charts	59
Milo, 102 Cell, Low Rate.....	20	Seed Spacing - Metric	59
Milo, 102 Cell.....	21	Furrow Check - Metric	61
Milo, 135 Cell, Low Rate.....	22	Sprocket Indexing Charts - Metric	61
Milo, 135 Cell.....	23	76.2cm Twin Row Sprocket Indexing.....	62
Milo, 270 Cell.....	24	91.4cm Twin Row Sprocket Indexing.....	63
Soybeans, 100 Cell (1 of 2).....	25	Singulator Plus RPM Limit Charts - Metric	64
Soybeans, 100 Cell (2 of 2).....	26	RPM Limits: Cotton 120 Cell	64
Soybeans, 110 Cell (1 of 2).....	27	RPM Limits: Milo 102 Cell	65
Soybeans, 110 Cell (2 of 2).....	28	RPM Limits: Milo 135 Cell	66
Finger Meter Planting	29	RPM Limits: Milo 270 Cell	67
Reading a Finger Meter Rate Chart	29	RPM Limits: Soybean 100 Cell.....	68
Hydraulic or Ground Drive.....	29	RPM Limits: Soybean 110 Cell.....	69
Finger Meter Adjustments	30	Singulator Plus Ground Drive Charts - Metric	70
Finger Meter Brush Adjustment.....	30	Cotton, Twin Row 76.2cm, 120 Cell	70
Finger Meter Inserts	31	Cotton, Twin Row 91.4cm, 120 Cell.....	71
Hydraulic Drive Finger Meter RPM Limit Charts.....	32	Milo, Twin Row 102 Cell.....	72

© Copyright 2006-2011, 2016 All rights Reserved

Great Plains Manufacturing, Inc. provides this publication "as is" without warranty of any kind, either expressed or implied. While every precaution has been taken in the preparation of this manual, Great Plains Manufacturing, Inc. assumes no responsibility for errors or omissions. Neither is any liability assumed for damages resulting from the use of the information contained herein. Great Plains Manufacturing, Inc. reserves the right to revise and improve its products as it sees fit. This publication describes the state of this product at the time of its publication, and may not reflect the product in the future.

Trademarks of Great Plains Manufacturing, Inc. include: AccuShot, Max-Chisel, Row-Pro,

Singulator Plus, Short Disk, Swath Command, Terra-Tine, Ultra-Chisel, and X-Press.

Registered Trademarks of Great Plains Manufacturing, Inc. include: Air-Pro, Clear-Shot, Discovator, Great Plains, Land Pride, MeterCone,

Nutri-Pro, Seed-Lok, Solid Stand, Terra-Guard, Turbo-Chisel, Turbo-Chopper, Turbo-Max, Turbo-Till, Ultra-Till, Whirlfilter, and Yield-Pro.

Brand and Product Names that appear and are owned by others are trademarks of their respective owners.

Printed in the United States of America

Milo, Twin Row, 102 Cell	73
Milo, Twin Row 135 Cell, Low Rate	74
Milo, Twin Row 135 Cell	75
Milo, Twin Row 270 Cell	76
Soybeans, Twin Row 100 Cell (page 1 of 2)	77
Soybeans, Twin Row 100 Cell (page 2 of 2)	78
Soybeans, 100 Cell, 70cm	79
Soybeans, Twin Row 110 Cell (page 1 of 2)	80
Soybeans, Twin Row 110 Cell (page 2 of 2)	81
Soybeans, 110 Cell, 70cm	82
Hyd Drive Finger Meter RPM Limit Charts - Metric	83
RPM Limits: 6 Finger	83
RPM Limits: 12 Finger	84
Ground Drive Finger Meter Charts - Metric	85
50.8cm Rows, 6 Finger	85
50.8cm Rows, 12 Finger	86
70cm Rows, 12 Finger, Low Range	87
70cm Rows, 12 Finger, High Range	88
Twin Row 76.2cm, 6 Finger, Low Range	89
Twin Row 76.2cm, 6 Finger, High Range	90
Twin Row 76.2cm, 12 Finger	91
76.2cm Rows, 6 Finger	92
76.2cm Rows, 12 Finger, Low Range	93
76.2cm Rows, 12 Finger, High Range	94
Twin Row 91.4cm, 6 Finger	95
Twin Row 91.4cm, 12 Finger	96
91.4cm Rows, 6 Finger	97
91.4cm Rows, 12 Finger	98



Introduction

This manual covers the following tasks for year 2009 and later two-section 12m Yield-Pro Planters equipped with Singulator Plus or finger pickup meters^a:

- setting and checking seed rate for singulated crops
- applying liquid fertilizer from optional tanks on-board the planter.

This manual is your guide to planter adjustments for achieving specific seed population targets. It also includes information you may need to properly setup and adjust a separately provisioned fertilizer tank and pump system.

Covered Models

Covered YP1225 Models

This manual applies to YP1225 planters with serial number A1111K and higher.

YP1225-1230	30-Foot, 12-Row, 30-Inch
YP1225-16TR36	30-Foot, 16-Row (8 Twin), 36-Inch
YP1225-1820	30-Foot, 18-Row, 20-Inch
YP1225-2315	30-Foot, 23-Row, 15-Inch
YP1225-24TR	30-Foot, 24-Row, (12 Twin) 30-Inch

Covered YP1625 Models

This manual applies to YP1625 planters with serial number A1190B and higher.

YP1625-1236	40-Foot, 12-Row, 36-Inch
YP1625-1630	40-Foot, 16-Row, 30-Inch
YP1625-1670	12-Meter, 16-Row, 70cm
YP1625-2420	40-Foot, 24-Row, 20-Inch
YP1625-24TR36	40-Foot, 24-Row (12 Twin), 36-Inch
YP1625-3115	40-Foot, 31-Row, 15-Inch
YP1625-32TR	40-Foot, 32-Row (16 Twin), 30-Inch

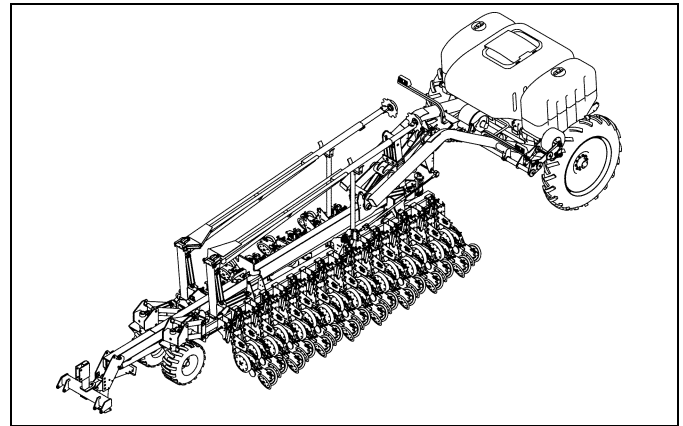


Figure 1
Yield-Pro® Planter

27281

Document Family

401-226M-A Operator Manual
 401-263B Seed Rate Manual (this manual)
 401-263P Parts Manual
 110011375 DICKEY-john® IntelliAg® Operator
 110011508 Planter/Drill Control, User Level 1
 110011501 Planter/Drill Control, User Level 2&3
 110011387 YP1225 Quick Start Guide
 110011388 YP1625 Quick Start Guide

Setting Planting Rate

Although some setup/adjustment material herein is repeated from the Operator's Manual, you need to be thoroughly familiar with planter operations and adjustments before applying this Seed Rate manual and its table data.

Begin at section:

“**Singulated Planting Overview**” on page 2

and complete the setup using section:

“**Singulator Plus Meter Planting**” on page 10, or

“**Finger Meter Planting**” on page 29.

Setting Fertilizer Rate

This topic is covered beginning at:

“**Fertilizer Rate**” on page 52.

a. Seed rates for YP1225A and YP1625A planters equipped with AirPro™ meters are provided in manual 401-625B.

Singulated Planting Overview

The information in this section covers important setup and checking information that applies to both: Singulator Plus (wheel, at left in Figure 2) meters and Finger Pickup meters (at right in Figure 2).

There are additional Sections for each meter. See also: **“Finger Meter Planting”** on page 29 and **“Singulator Plus Meter Planting”** on page 10.

Singulating planting employs the seed monitor in:

- “PLANTER CONTROL” mode with optional hydraulic drive, or
- “MONITOR ONLY” mode with ground drive.

NOTICE

If the seed monitor is presently in GRAN SEED mode, follow the setup instructions carefully. Switching between seeding modes can cause some planter configuration values to be reset to defaults that are incorrect for your planter.

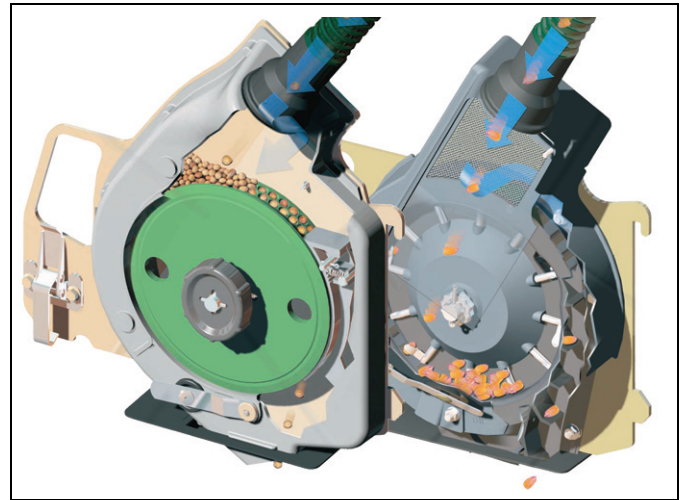


Figure 2
Singulating Seed Meters

29243

Singulated Rate Setting Overview

1. For your crop, determine your intended population, in seeds/acre or seeds/hectare. If you know only the population, the charts on page 8 and 9 correlate population to seed spacing for several row spacings.
2. For your crop, population and desired field speed, verify the suitability and setup of your meter type, and seed wheel part number or finger count.

For Singulator Plus seed meters and wheels, details and charts are found in **“Singulator Plus Meter Planting”** on page 10.

For Finger Pickup meters, details and charts are found in **“Finger Meter Planting”** on page 29.

3. Set meter rate. See one of:
 - **“Hydraulic Drive Meter Rate”** on page 3 or
 - **“Ground Drive Meter Rate”** on page 4.
4. Verify your planting rate per the instructions at: **“Checking Planting Rate”** on page 6. If the results are consistent with your setup, plant the crop.

Plant Population Seeds/Acre	Row Spacing				Plant Population Seeds/Acre	Row Spacing		
	10in Single	20in Single	30in Twin	15in Single		20in Single	30in Single	
	Seed Spacing							
14,000	44.8 in	22.4 in	29.9 in	14.9 in	50,000	12.5 in	8.4 in	6.3 in
15,000	41.8 in	20.9 in	27.9 in	13.9 in	55,000	11.4 in	7.6 in	5.7 in

Note: *Adjust Finger Pickup meters for the seed*
This only applies to finger pickup meters.
See **“Finger Meter Adjustments”** on page 30.

Hydraulic Drive Meter Rate

Hydraulic drive meter rate is set directly on the seed monitor in the tractor. Consult the monitor manual for detailed instructions, which may vary slightly over time with firmware updates to the monitor system.

You will need to enter/update your planter configuration (width/row-count, single-row/twin, meter type, wheel cell count, etc.). Once entered, you can specify the desired population directly in seeds per acre.

Although the sprocket information in the Seed Rate Charts of this manual does not apply to hydraulic drive, recommended planting speeds (in mph or kph) do apply.

Note: For most consistent results, and least wear on the meters, check the seed rate chart for the crop or meter type/seed wheel, and do not exceed the recommended ground speed.

For step 1 through step 4, any needed data not provided in this manual can be found in one or more of:

- DICKEY-john® Quick Start Guide
- Planter Operator Manual

Refer to the DICKEY-john® IntelliAg® Planter/Drill Control Operator’s Manual for details on setup item.

Note: The monitor must be in User Level 2 to change some of these parameters.

1. For a crop not previously planted with this planter, create a “Material Name” for the crop. Selecting a named material is a required step in later screens.
2. Verify, and as necessary setup or update the “Material” record for the singulated seed to be planted.

The table at right lists the parameters that need to be reviewed or set. Values in <angle brackets> are at your choice or preference.

3. Verify, and as necessary setup or update the “Channel” assigned to the planter’s hydraulic drive. If the monitor resets to defaults, Gear Ratio may be incorrect.

Count rows individually for “# Seed Rows”. A twin pair (if both openers are in use) counts as 2 rows. “Channel Width” is swath.

4. In the Material Library screen, makes sure that the Material (SOYBEANS in our example) is assigned to the Channel (CH 1 in our example) which controls the planter’s hydraulic drive.
5. Perform a Valve Calibration for the control channel.
6. Switch the seed monitor from Setup/Configuration mode to Operate mode. Load seed. Move the planter to the field.

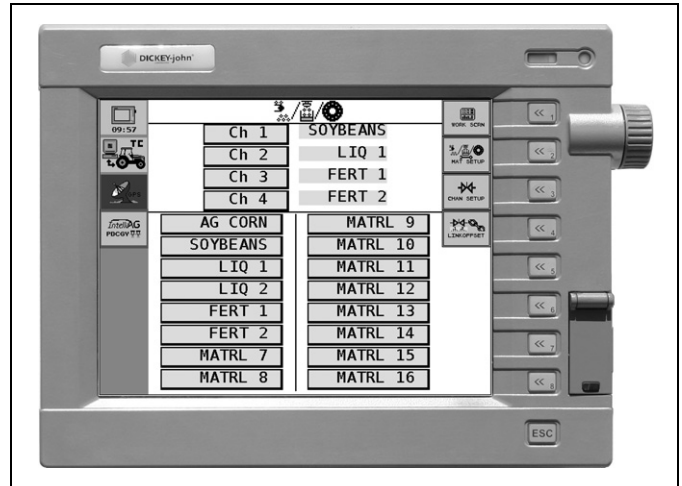


Figure 3
Control Setup Screen

29499

Material	Data Required
Material Name	<crop name, such as “SOYBEANS”>
Channel	“CH 1” (typically, can be 1-4)
Type	“PLANTER CONTROL”
Preset Method	“Disabled” unless populations vary
Target Rate	<your election>
Max Rate	<110% of Target> is suggested
Min Rate	<90% of Target> is suggested
Inc/Dec	“1.0%” is suggested
Seeds Per Rev	<seed wheel cell count or finger count>
Disc Low Limit	<from Rate Range or Wheels chart>
Disc High Limit	<from Rate Range or Wheels chart>

Channel	Data Required
CHANNEL 1	(must be channel specified above)
Type	“PLANTER CONTROL”
Material Name	(must be material name specified above)
Control Mode	Auto
Drive Type	PWM 2
Drive Freq.	100 Hz
Input Filter	50%
Gear Ratio	1.900
Sensor Constant	360
# Seed Rows	<based on planter model/row setup>
Channel Width	<based on planter model/row setup>

Ground Drive Meter Rate

For step 1 through step 4, any needed data not provided in this manual can be found in one or more of:

- DICKEY-john® Quick Start Guide
- Planter Operator Manual

Refer to the DICKEY-john® IntelliAg® Planter/Drill Control Operator’s Manual for details on setup item.

Note: The monitor must be in User Level 2 to change some of these parameters.

NOTICE

For Monitor Only mode, all Channels must be disabled, and no rows must be assigned to any Channels. The Material Type must match the Control Type (Monitor Only).

1. Create a “Material Name” for any crop not previously planted with this planter. Selecting a named material is a required step in later screens.

2. Verify, and as necessary setup or update the “Material” record for the singulated seed to be planted.

The table at right lists the parameters that need to be reviewed or set. Values in <angle brackets> are at your choice or preference.

“ROW WIDTH” is the spacing between openers. This is the nominal spacing for single-row. For twin row, use 1/2 of the spacing between row pairs (e.g. 15in for 30in twin).

3. Perform the Row Monitor Setup

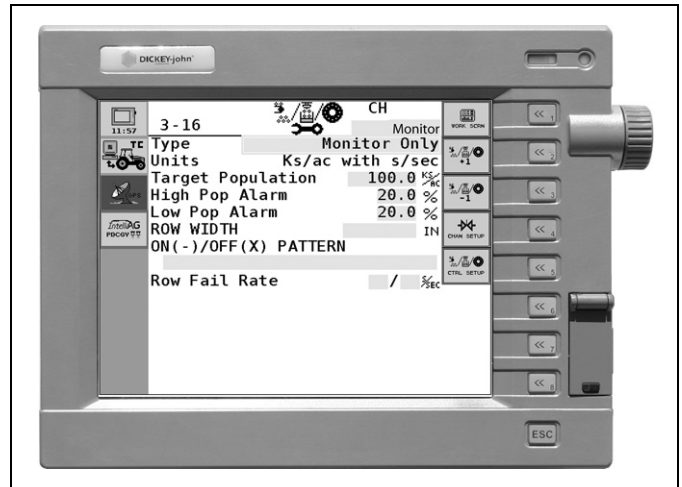


Figure 4
Material Setup, Monitor Mode

29500

Material	Data Required
Material Name	<crop name, such as “SOYBEANS”>
Type	“MONITOR ONLY”
Units	“Ks/ac with s/sec”
Target Population	<your election>
High Pop Alarm	<“20%”> is suggested
Low Pop Alarm	<“20%”> is suggested
ROW WIDTH	<single row spacing in current Units> or <1/2 twin row spacing>
ON/OFF PATTERN	<your election>
Monitor	Data Required
High Alarm Delay	5 sec
Low Alarm Delay	5 sec
Population Adjust	100%
Population Filter	50
Row Fail Rate	2 seeds/sec

- Before setting the planting rate, rotate the contact wheel (it turns in the opposite direction from the main tire). Check that seed meters, seed tubes, and drives are working properly and free from foreign material. Check that tire pressure is set according to the “**Specifications and Capacities**” in your Operator’s manual.

Drive Speed Range Sprockets

- Select the correct drive speed range sprockets for your seed from the “Seed Rate Charts,” starting on page 29.

Refer to Figure 5

Loosen idler ① and remove chain ②. Remove retaining pins from Driving ③ and Driven ④ shafts and install speed range sprockets as necessary.

Note: Make sure the correct sprockets have been installed in the DRIVING and DRIVEN locations as shown.

Reroute chain over sprockets and idlers as shown. Move idler into chain so chain has $\frac{1}{4}$ in (6mm) slack in its longest span. Tighten idler and install lynch pins.

Transmission Sprockets

Refer to Figure 6

- Loosen idlers ① and remove drive chain ②. Remove lynch pins from Driving ③ and Driven ④ shafts and rearrange driving and driven sprockets as necessary.

Reroute drive chain over sprockets and idlers as shown. Move idlers ① into chain so chain has $\frac{1}{4}$ in (6mm) slack in its longest span. Tighten idlers and install lynch pins.

- Repeat step 5 and step 6 for the other contact wheel.
- Switch the seed monitor from Setup/Configuration mode to Operate mode. Load seed. Move the planter to the field.

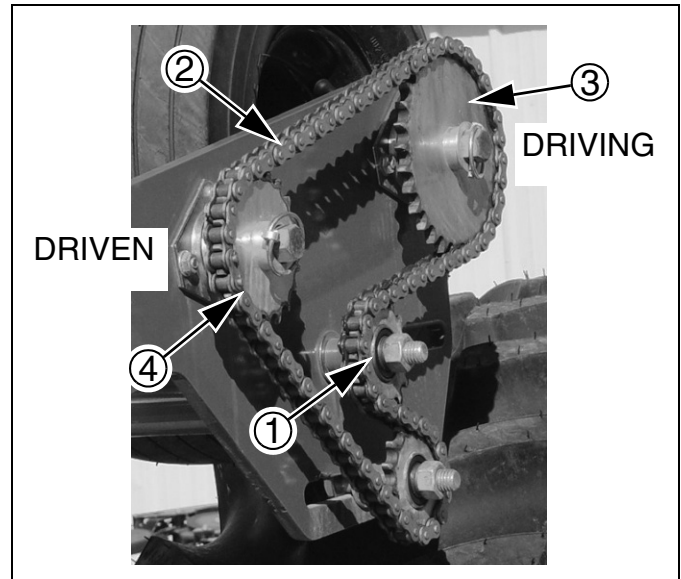


Figure 5
Drive Speed Range
Sprockets Adjustment

21974

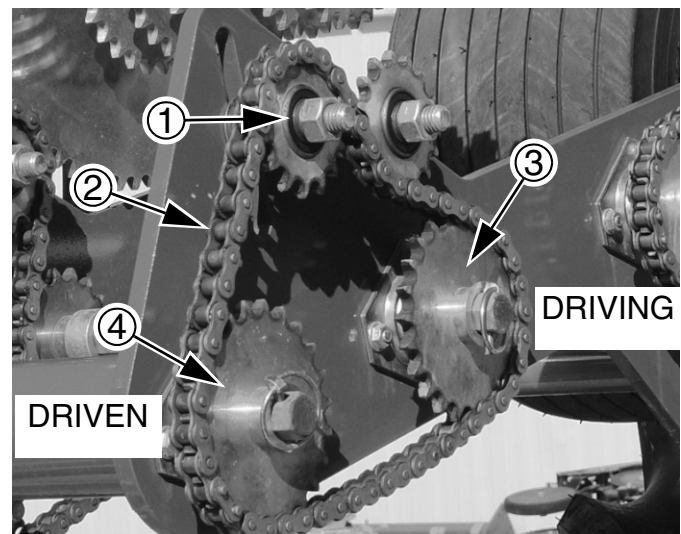


Figure 6
Transmission Sprockets Adjustment

21974

Checking Planting Rate

Singulated seed charts are based on cleaned and sized seed singulated with the recommended meter and wheel or finger count. Extreme seed size variations, foreign material and tire pressure can affect the planting rate.

Any material difference between chart and field rates implies a mechanical malfunction, a planter setup error, unsuitable planting conditions (such as excessive tire slippage) or extremely worn planter components. You can verify your setup and planter performance by measuring seed placement and spacing over a relatively short distance.

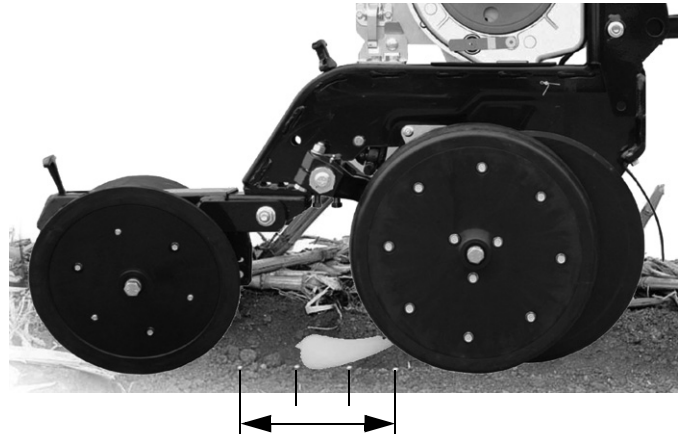


Figure 7
Furrow Check

The columns to the right provide example data for a rate check, in U.S. customary units and a similar example metric units.

US Example:
Planter: YP1625-1630
Crop: Soybeans
Density: 3000 seeds/lb
Meter Wheel: 403-124D
Target Population:
123,000 seeds/acre

Range Sprockets:
DRIVER: 30
DRIVEN: 30
Transmission Sprockets:
DRIVER: 17
DRIVEN: 28

Maximum Planting Speed:
6 mph

Chart Seed Spacing:
1.7 in

Metric Example:
Planter: YP1625-1670
Crop: Soybeans
Density: 6614 seeds/kg
Meter Wheel: 403-124D
Target Population:
331 000 seeds/hectare

Range Sprockets:
DRIVER: 30
DRIVEN: 30
Transmission Sprockets:
DRIVER: 17
DRIVEN: 28

Maximum Planting Speed:
10 kph

Chart Seed Spacing:
4.3 cm

Checking Singulated Rates

1. Determine the sample distance to check. Find your row spacing in the table at right.
2. Note the number of rows to sample. Adjust the planting depth to a shallow setting on one or two outside rows (per table). Tie up the press wheel arms with wire or bungee to prevent furrow closure.
3. Decide whether to use 1/1000th or 1/200th of an acre or hectare as the sample size. 1/200th provides a more accurate sample.
4. Configure the planter for the chart rate, either using the chart settings for sprockets, or, with hydraulic drive, selecting the rate on the seed monitor.

Rows to Sample		Length of Sample Run	
Row Spacing	Row Number	1/1000th Acre	1/200th Acre
15in Single	2	17ft 5in	87ft 1in
30in Twin	1 pair	17ft 5in	87ft 1in
36in Twin	1 pair	14ft 6in	72ft 7in
20in Single	1	26ft 2in	130ft 8in
36in Single	1	14ft 6in	72ft 7in
30in Single	1	17ft 5in	87ft 1in

32435

5. Plant at the desired planting speed for slightly more than the computed sample run length.
6. Measure off the sample distance, balanced in between where seeding started and stopped.
7. Count the number of seeds over the distance measured. Also note the consistency of the seed spacing.
8. Compute the rate for a full acre or hectare.

For a 1/1000th sample, multiply the counted seeds by 1000.

For a 1/200th sample, multiply the counted seeds by 200.
9. If the field and chart rates vary by more than a few percent, re-check planter setup, including meter wheel or finger count, air system, tire size, tire pressures, sprocket or hydraulic drive setup, chain slack, etc. If seed spacing is irregular, this suggests a seed delivery problem, and not a rate setup problem.
10. While planting, pay attention to the seed monitor. In addition to confirming the single-row furrow check, it will also provide field rate data on all the other rows, and alert you to any irregularities or stoppages.

USc Example:
Sample size:
1/1000th ac
Plant for approximately:
25 feet
Measure the central:
17 feet 5 inches

Metric Example:
Sample size:
1/1000th ha
Plant for approximately:
20 meters
Measure the central:
14.29 meters

USc Example:
Seeds counted:
121
Computed for full acre:
 $121 \times 1000 = 121,000$
This differs from chart by:
1.8%

Metric Example:
Seeds counted:
300
Computed for full hectare:
 $300 \times 1000 = 300,000$
This differs from chart by:
0.6%

Singulated Seed Spacing

For Singulator Plus wheels, and finger pickup meters.

(U.S. Customary Units, page 1 of 2)

Low Range

Seed Spacing Chart

U.S. Customary Units

Plant Population (seeds/acre)	Row Spacings									
	Twin Row					Single Row				
	20 in. 10 in. Rows	30 in. 15 in. Rows	36 in.	38 in.	40 in. 20 in. Rows	22 in. Rows	30 in. Rows	36 in. Rows	38 in. Rows	40 in. Rows
	Seed Spacing (inches)									
14 000	44.8	29.9	24.9	23.6	22.4	20.4	14.9	12.4	11.8	11.2
15 000	41.8	27.9	23.2	22.0	20.9	19.0	13.9	11.6	11.0	10.5
16 000	39.2	26.1	21.8	20.6	19.6	17.8	13.1	10.9	10.3	9.8
17 000	36.9	24.6	20.5	19.4	18.4	16.8	12.3	10.2	9.7	9.2
18 000	34.8	23.2	19.4	18.3	17.4	15.8	11.6	9.7	9.2	8.7
19 000	33.0	22.0	18.3	17.4	16.5	15.0	11.0	9.2	8.7	8.3
20 000	31.4	20.9	17.4	16.5	15.7	14.3	10.5	8.7	8.3	7.8
21 000	29.9	19.9	16.6	15.7	14.9	13.6	10.0	8.3	7.9	7.5
22 000	28.5	19.0	15.8	15.0	14.3	13.0	9.5	7.9	7.5	7.1
23 000	27.3	18.2	15.2	14.4	13.6	12.4	9.1	7.6	7.2	6.8
24 000	26.1	17.4	14.5	13.8	13.1	11.9	8.7	7.3	6.9	6.5
25 000	25.1	16.7	13.9	13.2	12.5	11.4	8.4	7.0	6.6	6.3
26 000	24.1	16.1	13.4	12.7	12.1	11.0	8.0	6.7	6.3	6.0
27 000	23.2	15.5	12.9	12.2	11.6	10.6	7.7	6.5	6.1	5.8
28 000	22.4	14.9	12.4	11.8	11.2	10.2	7.5	6.2	5.9	5.6
29 000	21.6	14.4	12.0	11.4	10.8	9.8	7.2	6.0	5.7	5.4
30 000	20.9	13.9	11.6	11.0	10.5	9.5	7.0	5.8	5.5	5.2
31 000	20.2	13.5	11.2	10.6	10.1	9.2	6.7	5.6	5.3	5.1
32 000	19.6	13.1	10.9	10.3	9.8	8.9	6.5	5.4	5.2	4.9
33 000	19.0	12.7	10.6	10.0	9.5	8.6	6.3	5.3	5.0	4.8
34 000	18.4	12.3	10.2	9.7	9.2	8.4	6.1	5.1	4.9	4.6
35 000	17.9	11.9	10.0	9.4	9.0	8.1	6.0	5.0	4.7	4.5
36 000	17.4	11.6	9.7	9.2	8.7	7.9	5.8	4.8	4.6	4.4
37 000	17.0	11.3	9.4	8.9	8.5	7.7	5.7	4.7	4.5	4.2
38 000	16.5	11.0	9.2	8.7	8.3	7.5	5.5	4.6	4.3	4.1
39 000	16.1	10.7	8.9	8.5	8.0	7.3	5.4	4.5	4.2	4.0
40 000	15.7	10.5	8.7	8.3	7.8	7.1	5.2	4.4	4.1	3.9
41 000	15.3	10.2	8.5	8.1	7.6	7.0	5.1	4.2	4.0	3.8
42 000	14.9	10.0	8.3	7.9	7.5	6.8	5.0	4.1	3.9	3.7
43 000	14.6	9.7	8.1	7.7	7.3	6.6	4.9	4.1	3.8	3.6
44 000	14.3	9.5	7.9	7.5	7.1	6.5	4.8	4.0	3.8	3.6
45 000	13.9	9.3	7.7	7.3	7.0	6.3	4.6	3.9	3.7	3.5
46 000	13.6	9.1	7.6	7.2	6.8	6.2	4.5	3.8	3.6	3.4
47 000	13.3	8.9	7.4	7.0	6.7	6.1	4.4	3.7	3.5	3.3
48 000	13.1	8.7	7.3	6.9	6.5	5.9	4.4	3.6	3.4	3.3
49 000	12.8	8.5	7.1	6.7	6.4	5.8	4.3	3.6	3.4	3.2
50 000	12.5	8.4	7.0	6.6	6.3	5.7	4.2	3.5	3.3	3.1

32320A

(U.S. Customary Units, page 2 of 2)

High Range

Seed Spacing Chart

U.S. Customary Units

Plant Population (seeds/acre)	Row Spacings									
	Twin Row					Single Row				
	20 in. 10 in. Rows	30 in. 15 in. Rows	36 in.	38 in.	40 in. 20 in. Rows	22 in. Rows	30 in. Rows	36 in. Rows	38 in. Rows	40 in. Rows
	Seed Spacing (inches)									
50 000	12.5	8.4	7.0	6.6	6.3	5.7	4.2	3.5	3.3	3.1
55 000	11.4	7.6	6.3	6.0	5.7	5.2	3.8	3.2	3.0	2.9
60 000	10.5	7.0	5.8	5.5	5.2	4.8	3.5	2.9	2.8	2.6
65 000	9.7	6.4	5.4	5.1	4.8	4.4	3.2	2.7	2.5	2.4
70 000	9.0	6.0	5.0	4.7	4.5	4.1	3.0	2.5	2.4	2.2
75 000	8.4	5.6	4.6	4.4	4.2	3.8	2.8	2.3	2.2	2.1
80 000	7.8	5.2	4.4	4.1	3.9	3.6	2.6	2.2	2.1	2.0
85 000	7.4	4.9	4.1	3.9	3.7	3.4	2.5	2.0	1.9	1.8
90 000	7.0	4.6	3.9	3.7	3.5	3.2	2.3	1.9	1.8	1.7
95 000	6.6	4.4	3.7	3.5	3.3	3.0	2.2	1.8	1.7	1.7
100 000	6.3	4.2	3.5	3.3	3.1	2.9	2.1	1.7	1.7	1.6
105 000	6.0	4.0	3.3	3.1	3.0	2.7	2.0	1.7	1.6	1.5
110 000	5.7	3.8	3.2	3.0	2.9	2.6	1.9	1.6	1.5	1.4
115 000	5.5	3.6	3.0	2.9	2.7	2.5	1.8	1.5	1.4	1.4
120 000	5.2	3.5	2.9	2.8	2.6	2.4	1.7	1.5	1.4	1.3
125 000	5.0	3.3	2.8	2.6	2.5	2.3	1.7	1.4	1.3	1.3
130 000	4.8	3.2	2.7	2.5	2.4	2.2	1.6	1.3	1.3	1.2
135 000	4.6	3.1	2.6	2.4	2.3	2.1	1.5	1.3	1.2	1.2
140 000	4.5	3.0	2.5	2.4	2.2	2.0	1.5	1.2	1.2	1.1
145 000	4.3	2.9	2.4	2.3	2.2	2.0	1.4	1.2	1.1	1.1
150 000	4.2	2.8	2.3	2.2	2.1	1.9	1.4	1.2	1.1	1.0
155 000	4.0	2.7	2.2	2.1	2.0	1.8	1.3	1.1	1.1	1.0
160 000	3.9	2.6	2.2	2.1	2.0	1.8	1.3	1.1	1.0	1.0
165 000	3.8	2.5	2.1	2.0	1.9	1.7	1.3	1.1	1.0	1.0
170 000	3.7	2.5	2.0	1.9	1.8	1.7	1.2	1.0	1.0	0.9
175 000	3.6	2.4	2.0	1.9	1.8	1.6	1.2	1.0	0.9	0.9
180 000	3.5	2.3	1.9	1.8	1.7	1.6	1.2	1.0	0.9	0.9
185 000	3.4	2.3	1.9	1.8	1.7	1.5	1.1	0.9	0.9	0.8
190 000	3.3	2.2	1.8	1.7	1.7	1.5	1.1	0.9	0.9	0.8
195 000	3.2	2.1	1.8	1.7	1.6	1.5	1.1	0.9	0.8	0.8
200 000	3.1	2.1	1.7	1.7	1.6	1.4	1.0	0.9	0.8	0.8
225 000	2.8	1.9	1.5	1.5	1.4	1.3	0.9	0.8	0.7	0.7
250 000	2.5	1.7	1.4	1.3	1.3	1.1	0.8	0.7	0.7	0.6
275 000	2.3	1.5	1.3	1.2	1.1	1.0	0.8	0.6	0.6	0.6
300 000	2.1	1.4	1.2	1.1	1.0	1.0	0.7	0.6	0.6	0.5

32320B

Singulator Plus Meter Planting

Singulating meter planting rate is determined by:

- crop and seed variant
- meter wheel selection, and
- meter drive configuration

There are no other adjustments.

NOTICE

These charts are estimations of maximum seed rates. Actual results will vary based on conditions and machine maintenance. Maintain your machine regularly for optimum performance.

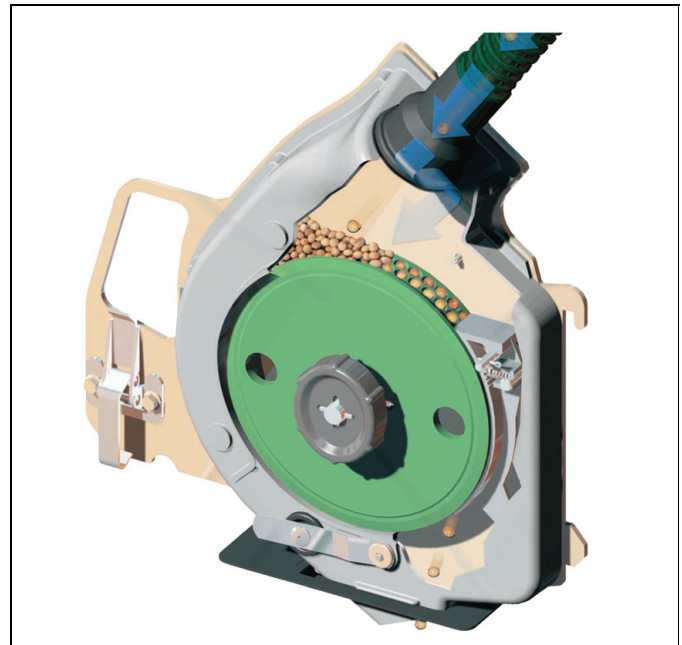


Figure 8
Singulator Plus Meter

29343

Reading a Singulator Plus Rate Chart

1. Consult the chart for your:
 - crop,
 - meter wheel/cell count, and
 - row spacing.
 Most seeds have multiple pages.
2. Always use required seed lubricants. See **“Appendix A - Seed Lubricants”** on page 58 for seed lubricant information.
3. Find the columns for your row spacing.
4. Find the desired seed population range (or seed spacing).
5. Note the *maximum* ground speed for that population.

With hydraulic meter drive, enter the population and wheel cell count in the seed monitor. With ground drive, configure the sprockets.

YP 1225 - 1625 100 Cell Wheel 403-122D - 1700-2200 seeds/lb		SOYBEAN Precision Meter EzeeGlide Plus Required			
		Twin Row 30in 15in Rows	Twin Row 36in	20in Rows	30in Rows
		Range Sprockets: Driving = 15 Driven = 60	Range Sprockets: Driving = 18 Driven = 60	Range Sprockets: Driving = 20 Driven = 60	Range Sprockets: Driving = 30 Driven = 60

Seed Population (seeds/acre)	Precision Meter EzeeGlide Plus Required									
	Twin Row 30in 15in Rows		Twin Row 36in		20in Rows		30in Rows		36in Rows	
Seed Spacing (inches)	Planting Speed (mph)	Seed Spacing (inches)	Planting Speed (mph)	Seed Spacing (inches)	Planting Speed (mph)	Seed Spacing (inches)	Planting Speed (mph)	Seed Spacing (inches)	Planting Speed (mph)	Seed Spacing (inches)
55 983	7.5 8	6.2 8	5.6 8	3.7 8	3.1 8					
58 056	7.2 8	6.0 8	5.4 8	3.6 8	3.0 8					
60 289	6.9 8	5.8 8	5.2 8	3.5 8	2.9 8					
62 569	6.6 8	5.6 8	5.0 8	3.3 8	2.8 8					

Transmission Driver	Transmission Driven	Seed Population (seeds/acre)	Seed Spacing (inches)	Maximum Planting Speed (mph)	Seed Spacing (inches)	Maximum Planting Speed (mph)	Seed Spacing (inches)	Maximum Planting Speed (mph)	Seed Spacing (inches)	Maximum Planting Speed (mph)	Seed Spacing (inches)
17	28	61 581	6.8	8	5.7	8	5.1	8	4.1	8	3.4
17	27	63 862	6.5	8	5.5	8	4.9	8	4.0	8	3.3
17	26	66 318	6.3	8	5.3	8	4.7	8	3.9	8	3.2
19	28	68 826	6.1	8	5.1	8	4.6	8	3.8	8	3.0
17	25	66 971	6.7	8	5.1	8	4.5	8	3.9	8	3.0
19	27	71 375	5.9	8	4.9	8	4.4	8	2.8	8	2.9
17	24	71 845	5.8	8	4.9	8	4.4	8	2.8	8	2.8
19	26	74 120	5.6	8	4.7	8	4.2	8	2.8	8	2.9
17	23	74 968	5.6	8	4.6	8	4.2	8	2.8	8	2.8
19	25	77 085	5.4	8	4.5	8	4.1	8	2.7	8	2.7
19	24	80 297	5.2	8	4.3	8	3.9	8	2.6	8	2.6
23	28	83 315	5.0	8	4.2	8	3.8	8	2.5	8	2.5
19	23	83 788	5.0	8	4.2	8	3.7	8	2.5	8	2.5

Ground Drive

- 6. The Range sprockets are at the top of the columns for the row spacing.
- 7. The Transmission sprockets are in the table rows, found to the left of the Population.

Transmission Combinations		Seed Population (seeds/acre)	Twin Row 30in 15in-Rows		Twin Row 36in 20in	
Driver	Driven		Seed Spacing (inches)	Planting Speed (mph)	Seed Spacing (inches)	Planting Speed (mph)
17	28	61 581	6.8	8	5.7	8
17	27	63 862	6.5	8	5.5	8
17	26	66 318	6.3	8	5.3	8
19	28	68 826	6.1	8	5.1	8
17	25	68 971	6.1	8	5.1	8
19	27	71 375	5.9	8	4.9	8
17	24	71 845	5.8	8	4.9	8
19	26	74 120	5.6	8	4.7	8
17	23	74 968	5.6	8	4.6	8

Singulator Plus™ RPM Limits

**Cotton
120 Cell Wheel**

Ezee Glide Plus Required

(Black Wheels)

403-078D	4000-4600 seeds/pound
403-077D	4600-5200 seeds/pound
403-076D	5200-6000 seeds/pound

(Green Wheels)

403-133D	4000-4600 seeds/pound
403-134D	4600-5200 seeds/pound
403-135D	5200-6000 seeds/pound

		Planting Speed (mph)	Maximum Population (seeds/acre)	Minimum Population (seeds/acre)
7.5in Rows		4.0	522 720	118 800
Max	Min	5.0	418 176	95 040
rpm	rpm	5.5	380 160	86 400
22	5	6.0	348 480	79 200
		6.5	321 674	73 108
		7.0	298 697	67 886

		Planting Speed (mph)	Maximum Population (seeds/acre)	Minimum Population (seeds/acre)
22in Rows		4.0	178 200	40 500
Max	Min	5.0	142 560	32 400
rpm	rpm	5.5	129 600	29 455
22	5	6.0	118 800	27 000
		6.5	109 662	24 923
		7.0	101 829	23 143

10in Rows		4.0	392 040	89 100
Max	Min	5.0	313 632	71 280
rpm	rpm	5.5	285 120	64 800
22	5	6.0	261 360	59 400
		6.5	241 255	54 831
		7.0	224 023	50 914

30in Rows		4.0	130 680	29 700
Max	Min	5.0	104 544	23 760
rpm	rpm	5.5	95 040	21 600
22	5	6.0	87 120	19 800
		6.5	80 418	18 277
		7.0	74 674	16 971

Twin Row 30in		4.0	261 360	59 400
15in Rows		5.0	209 088	47 520
Max	Min	5.5	190 080	43 200
rpm	rpm	6.0	174 240	39 600
22	5	6.5	160 837	36 554
		7.0	149 349	33 943

36in Rows		4.0	108 900	24 750
Max	Min	5.0	87 120	19 800
rpm	rpm	5.5	79 200	18 000
22	5	6.0	72 600	16 500
		6.5	67 015	15 231
		7.0	62 229	14 143

Twin Row 36in		4.0	217 800	49 500
Max	Min	5.0	174 240	39 600
rpm	rpm	5.5	158 400	36 000
22	5	6.0	145 200	33 000
		6.5	134 031	30 462
		7.0	124 457	28 286

38in Rows		4.0	103 168	23 447
Max	Min	5.0	82 535	18 758
rpm	rpm	5.5	75 032	17 053
22	5	6.0	68 779	15 632
		6.5	63 488	14 429
		7.0	58 953	13 398

Twin Row 38in		4.0	206 337	46 895
Max	Min	5.0	165 069	37 516
rpm	rpm	5.5	150 063	34 105
22	5	6.0	137 558	31 263
		6.5	126 977	28 858
		7.0	117 907	26 797

40in Rows		4.0	98 010	22 275
Max	Min	5.0	78 408	17 820
rpm	rpm	5.5	71 280	16 200
22	5	6.0	65 340	14 850
		6.5	60 314	13 708
		7.0	56 006	12 729

Twin Row 40in		4.0	196 020	44 550
20in Rows		5.0	156 816	35 640
Max	Min	5.5	142 560	32 400
rpm	rpm	6.0	130 680	29 700
22	5	6.5	120 628	27 415
		7.0	112 011	25 457

32819C

Singulator Plus™ RPM Limits

**Milo
102 Cell Wheel**

Ezee Glide Plus Required

(Black Wheels)

(Green Wheels)

403-093D 10500-18000 seeds/pound

403-137D 10500-18000 seeds/pound

	Planting Speed (mph)	Maximum Population (seeds/acre)	Minimum Population (seeds/acre)
7.5in Rows	4.0	403 920	100 980
Max rpm	5.0	323 136	80 784
Min rpm	5.5	293 760	73 440
20 5	6.0	269 280	67 320
	6.5	248 566	62 142
	7.0	230 811	57 703
10in Rows	4.0	302 940	75 735
Max rpm	5.0	242 352	60 588
Min rpm	5.5	220 320	55 080
20 5	6.0	201 960	50 490
	6.5	186 425	46 606
	7.0	173 109	43 277
Twin Row 30in	4.0	201 960	50 490
15in Rows	5.0	161 568	40 392
Max rpm	5.5	146 880	36 720
Min rpm	6.0	134 640	33 660
20 5	6.5	124 283	31 071
	7.0	115 406	28 851
Twin Row 36in	4.0	168 300	42 075
Max rpm	5.0	134 640	33 660
Min rpm	5.5	122 400	30 600
20 5	6.0	112 200	28 050
	6.5	103 569	25 892
	7.0	96 171	24 043
Twin Row 38in	4.0	159 442	39 861
Max rpm	5.0	127 554	31 888
Min rpm	5.5	115 958	28 989
20 5	6.0	106 295	26 574
	6.5	98 118	24 530
	7.0	91 110	22 777
Twin Row 40in	4.0	151 470	37 868
20in Rows	5.0	121 176	30 294
Max rpm	5.5	110 160	27 540
Min rpm	6.0	100 980	25 245
20 5	6.5	93 212	23 303
	7.0	86 554	21 639

	Planting Speed (mph)	Maximum Population (seeds/acre)	Minimum Population (seeds/acre)
22in Rows	4.0	137 700	34 425
Max rpm	5.0	110 160	27 540
Min rpm	5.5	100 145	25 036
20 5	6.0	91 800	22 950
	6.5	84 738	21 185
	7.0	78 686	19 671
30in Rows	4.0	100 980	25 245
Max rpm	5.0	80 784	20 196
Min rpm	5.5	73 440	18 360
20 5	6.0	67 320	16 830
	6.5	62 142	15 535
	7.0	57 703	14 426
36in Rows	4.0	84 150	21 038
Max rpm	5.0	67 320	16 830
Min rpm	5.5	61 200	15 300
20 5	6.0	56 100	14 025
	6.5	51 785	12 946
	7.0	48 086	12 021
38in Rows	4.0	79 721	19 930
Max rpm	5.0	63 777	15 944
Min rpm	5.5	57 979	14 495
20 5	6.0	53 147	13 287
	6.5	49 059	12 265
	7.0	45 555	11 389
40in Rows	4.0	75 735	18 934
Max rpm	5.0	60 588	15 147
Min rpm	5.5	55 080	13 770
20 5	6.0	50 490	12 623
	6.5	46 606	11 652
	7.0	43 277	10 819

32819D

Singulator Plus™ RPM Limits

**Milo
135 Cell Wheel**

Ezee Glide Plus Required

(Black Wheels)

403-081D	12000-18000 seeds/pound
403-090D	10500-14000 seeds/pound

(Green Wheels)

403-140D	12000-18000 seeds/pound
403-138D	10500-14000 seeds/pound

		Planting Speed (mph)	Maximum Population (seeds/acre)	Minimum Population (seeds/acre)
7.5in Rows		4.0	534 600	133 650
Max rpm	Min rpm	5.0	427 680	106 920
		5.5	388 800	97 200
20	5	6.0	356 400	89 100
		6.5	328 985	82 246
		7.0	305 486	76 371

		Planting Speed (mph)	Maximum Population (seeds/acre)	Minimum Population (seeds/acre)
22in Rows		4.0	182 250	45 563
Max rpm	Min rpm	5.0	145 800	36 450
		5.5	132 545	33 136
20	5	6.0	121 500	30 375
		6.5	112 154	28 038
		7.0	104 143	26 036

		Planting Speed (mph)	Maximum Population (seeds/acre)	Minimum Population (seeds/acre)
10in Rows		4.0	400 950	100 238
Max rpm	Min rpm	5.0	320 760	80 190
		5.5	291 600	72 900
20	5	6.0	267 300	66 825
		6.5	246 738	61 685
		7.0	229 114	57 279

		Planting Speed (mph)	Maximum Population (seeds/acre)	Minimum Population (seeds/acre)
30in Rows		4.0	133 650	33 413
Max rpm	Min rpm	5.0	106 920	26 730
		5.5	97 200	24 300
20	5	6.0	89 100	22 275
		6.5	82 246	20 562
		7.0	76 371	19 093

		Planting Speed (mph)	Maximum Population (seeds/acre)	Minimum Population (seeds/acre)
Twin Row 30in		4.0	267 300	66 825
15in Rows		5.0	213 840	53 460
Max rpm	Min rpm	5.5	194 400	48 600
		6.0	178 200	44 550
20	5	6.5	164 492	41 123
		7.0	152 743	38 186

		Planting Speed (mph)	Maximum Population (seeds/acre)	Minimum Population (seeds/acre)
36in Rows		4.0	111 375	27 844
Max rpm	Min rpm	5.0	89 100	22 275
		5.5	81 000	20 250
20	5	6.0	74 250	18 563
		6.5	68 538	17 135
		7.0	63 643	15 911

		Planting Speed (mph)	Maximum Population (seeds/acre)	Minimum Population (seeds/acre)
Twin Row 36in		4.0	222 750	55 688
Max rpm	Min rpm	5.0	178 200	44 550
		5.5	162 000	40 500
20	5	6.0	148 500	37 125
		6.5	137 077	34 269
		7.0	127 286	31 821

		Planting Speed (mph)	Maximum Population (seeds/acre)	Minimum Population (seeds/acre)
38in Rows		4.0	105 513	26 378
Max rpm	Min rpm	5.0	84 411	21 103
		5.5	76 737	19 184
20	5	6.0	70 342	17 586
		6.5	64 931	16 233
		7.0	60 293	15 073

		Planting Speed (mph)	Maximum Population (seeds/acre)	Minimum Population (seeds/acre)
Twin Row 38in		4.0	211 026	52 757
Max rpm	Min rpm	5.0	168 821	42 205
		5.5	153 474	38 368
20	5	6.0	140 684	35 171
		6.5	129 862	32 466
		7.0	120 586	30 147

		Planting Speed (mph)	Maximum Population (seeds/acre)	Minimum Population (seeds/acre)
40in Rows		4.0	100 238	25 059
Max rpm	Min rpm	5.0	80 190	20 048
		5.5	72 900	18 225
20	5	6.0	66 825	16 706
		6.5	61 685	15 421
		7.0	57 279	14 320

		Planting Speed (mph)	Maximum Population (seeds/acre)	Minimum Population (seeds/acre)
Twin Row 40in		4.0	200 475	50 119
20in Rows		5.0	160 380	40 095
Max rpm	Min rpm	5.5	145 800	36 450
		6.0	133 650	33 413
20	5	6.5	123 369	30 842
		7.0	114 557	28 639

32819E

Singulator Plus™ RPM Limits

**Milo
270 Cell Wheel**

Ezee Glide Plus Required

(Black Wheels)

403-082D	12000-18000 seeds/pound
403-091D	10500-14000 seeds/pound

(Green Wheels)

403-141D	12000-18000 seeds/pound
403-139D	10500-14000 seeds/pound

	Planting Speed (mph)	Maximum Population (seeds/acre)	Minimum Population (seeds/acre)
7.5in Rows	4.0	1 069 200	267 300
Max rpm	5.0	855 360	213 840
Min rpm	5.5	777 600	194 400
20	6.0	712 800	178 200
5	6.5	657 969	164 492
	7.0	610 971	152 743
10in Rows	4.0	801 900	200 475
Max rpm	5.0	641 520	160 380
Min rpm	5.5	583 200	145 800
20	6.0	534 600	133 650
5	6.5	493 477	123 369
	7.0	458 229	114 557
Twin Row 30in	4.0	534 600	133 650
15in Rows	5.0	427 680	106 920
Max rpm	5.5	388 800	97 200
Min rpm	6.0	356 400	89 100
20	6.5	328 985	82 246
5	7.0	305 486	76 371
Twin Row 36in	4.0	445 500	111 375
Max rpm	5.0	356 400	89 100
Min rpm	5.5	324 000	81 000
20	6.0	297 000	74 250
5	6.5	274 154	68 538
	7.0	254 571	63 643
Twin Row 38in	4.0	422 053	105 513
Max rpm	5.0	337 642	84 411
Min rpm	5.5	306 947	76 737
20	6.0	281 368	70 342
5	6.5	259 725	64 931
	7.0	241 173	60 293
Twin Row 40in	4.0	400 950	100 238
20in Rows	5.0	320 760	80 190
Max rpm	5.5	291 600	72 900
Min rpm	6.0	267 300	66 825
20	6.5	246 738	61 685
5	7.0	229 114	57 279

	Planting Speed (mph)	Maximum Population (seeds/acre)	Minimum Population (seeds/acre)
22in Rows	4.0	364 500	91 125
Max rpm	5.0	291 600	72 900
Min rpm	5.5	265 091	66 273
20	6.0	243 000	60 750
5	6.5	224 308	56 077
	7.0	208 286	52 071
30in Rows	4.0	267 300	66 825
Max rpm	5.0	213 840	53 460
Min rpm	5.5	194 400	48 600
20	6.0	178 200	44 550
5	6.5	164 492	41 123
	7.0	152 743	38 186
36in Rows	4.0	222 750	55 688
Max rpm	5.0	178 200	44 550
Min rpm	5.5	162 000	40 500
20	6.0	148 500	37 125
5	6.5	137 077	34 269
	7.0	127 286	31 821
38in Rows	4.0	211 026	52 757
Max rpm	5.0	168 821	42 205
Min rpm	5.5	153 474	38 368
20	6.0	140 684	35 171
5	6.5	129 862	32 466
	7.0	120 586	30 147
40in Rows	4.0	200 475	50 119
Max rpm	5.0	160 380	40 095
Min rpm	5.5	145 800	36 450
20	6.0	133 650	33 413
5	6.5	123 369	30 842
	7.0	114 557	28 639

229105

Singulator Plus™ RPM Limits

**Soybean
100 Cell Wheel**

Ezee Glide Plus Required

(Black Wheels)

(Green Wheels)

403-071D 1700-2200 seeds/pound

403-122D 1700-2200 seeds/pound

	Planting Speed (mph)	Maximum Population (seeds/acre)	Minimum Population (seeds/acre)
7.5in Rows	4.0	653 400	99 000
Max rpm	5.0	522 720	79 200
Min rpm	5.5	475 200	72 000
33 5	6.0	435 600	66 000
	6.5	402 092	60 923
	7.0	373 371	56 571
10in Rows	4.0	490 050	74 250
Max rpm	5.0	392 040	59 400
Min rpm	5.5	356 400	54 000
33 5	6.0	326 700	49 500
	6.5	301 569	45 692
	7.0	280 029	42 429
Twin Row 30in	4.0	326 700	49 500
15in Rows	5.0	261 360	39 600
Max rpm	5.5	237 600	36 000
Min rpm	6.0	217 800	33 000
33 5	6.5	201 046	30 462
	7.0	186 686	28 286
Twin Row 36in	4.0	272 250	41 250
Max rpm	5.0	217 800	33 000
Min rpm	5.5	198 000	30 000
33 5	6.0	181 500	27 500
	6.5	167 538	25 385
	7.0	155 571	23 571
Twin Row 38in	4.0	257 921	39 079
Max rpm	5.0	206 337	31 263
Min rpm	5.5	187 579	28 421
33 5	6.0	171 947	26 053
	6.5	158 721	24 049
	7.0	147 383	22 331
Twin Row 40in	4.0	245 025	37 125
20in Rows	5.0	196 020	29 700
Max rpm	5.5	178 200	27 000
Min rpm	6.0	163 350	24 750
33 5	6.5	150 785	22 846
	7.0	140 014	21 214

	Planting Speed (mph)	Maximum Population (seeds/acre)	Minimum Population (seeds/acre)
22in Rows	4.0	222 750	33 750
Max rpm	5.0	178 200	27 000
Min rpm	5.5	162 000	24 545
33 5	6.0	148 500	22 500
	6.5	137 077	20 769
	7.0	127 286	19 286
30in Rows	4.0	163 350	24 750
Max rpm	5.0	130 680	19 800
Min rpm	5.5	118 800	18 000
33 5	6.0	108 900	16 500
	6.5	100 523	15 231
	7.0	93 343	14 143
36in Rows	4.0	136 125	20 625
Max rpm	5.0	108 900	16 500
Min rpm	5.5	99 000	15 000
33 5	6.0	90 750	13 750
	6.5	83 769	12 692
	7.0	77 786	11 786
38in Rows	4.0	128 961	19 539
Max rpm	5.0	103 168	15 632
Min rpm	5.5	93 789	14 211
33 5	6.0	85 974	13 026
	6.5	79 360	12 024
	7.0	73 692	11 165
40in Rows	4.0	122 513	18 563
Max rpm	5.0	98 010	14 850
Min rpm	5.5	89 100	13 500
33 5	6.0	81 675	12 375
	6.5	75 392	11 423
	7.0	70 007	10 607

32819G

Singulator Plus™ RPM Limits

**Soybean
110 Cell Wheel**

Ezee Glide Plus Required

(Black Wheels)

403-070D	2200-2700 seeds/pound
403-061D	2700-3200 seeds/pound
403-066D	3100-3800 seeds/pound
403-068D	3600-4000 seeds/pound

(Green Wheels)

403-123D	2200-2700 seeds/pound
403-124D	2700-3200 seeds/pound
403-125D	3100-3800 seeds/pound
403-126D	3600-4000 seeds/pound

		Planting Speed (mph)	Maximum Population (seeds/acre)	Minimum Population (seeds/acre)
7.5in Rows		4.0	805 860	108 900
Max	Min	5.0	644 688	87 120
rpm	rpm	5.5	586 080	79 200
37	5	6.0	537 240	72 600
		6.5	495 914	67 015
		7.0	460 491	62 229
10in Rows		4.0	604 395	81 675
Max	Min	5.0	483 516	65 340
rpm	rpm	5.5	439 560	59 400
37	5	6.0	402 930	54 450
		6.5	371 935	50 262
		7.0	345 369	46 671
Twin Row 30in		4.0	402 930	54 450
15in Rows		5.0	322 344	43 560
Max	Min	5.5	293 040	39 600
rpm	rpm	6.0	268 620	36 300
37	5	6.5	247 957	33 508
		7.0	230 246	31 114
Twin Row 36in		4.0	335 775	45 375
Max	Min	5.0	268 620	36 300
rpm	rpm	5.5	244 200	33 000
37	5	6.0	223 850	30 250
		6.5	206 631	27 923
		7.0	191 871	25 929
Twin Row 38in		4.0	318 103	42 987
Max	Min	5.0	254 482	34 389
rpm	rpm	5.5	231 347	31 263
37	5	6.0	212 068	28 658
		6.5	195 755	26 453
		7.0	181 773	24 564
Twin Row 40in		4.0	302 198	40 838
20in Rows		5.0	241 758	32 670
Max	Min	5.5	219 780	29 700
rpm	rpm	6.0	201 465	27 225
37	5	6.5	185 968	25 131
		7.0	172 684	23 336

		Planting Speed (mph)	Maximum Population (seeds/acre)	Minimum Population (seeds/acre)
22in Rows		4.0	274 725	37 125
Max	Min	5.0	219 780	29 700
rpm	rpm	5.5	199 800	27 000
37	5	6.0	183 150	24 750
		6.5	169 062	22 846
		7.0	156 986	21 214
30in Rows		4.0	201 465	27 225
Max	Min	5.0	161 172	21 780
rpm	rpm	5.5	146 520	19 800
37	5	6.0	134 310	18 150
		6.5	123 978	16 754
		7.0	115 123	15 557
36in Rows		4.0	167 888	22 688
Max	Min	5.0	134 310	18 150
rpm	rpm	5.5	122 100	16 500
37	5	6.0	111 925	15 125
		6.5	103 315	13 962
		7.0	95 936	12 964
38in Rows		4.0	159 051	21 493
Max	Min	5.0	127 241	17 195
rpm	rpm	5.5	115 674	15 632
37	5	6.0	106 034	14 329
		6.5	97 878	13 227
		7.0	90 886	12 282
40in Rows		4.0	151 099	20 419
Max	Min	5.0	120 879	16 335
rpm	rpm	5.5	109 890	14 850
37	5	6.0	100 733	13 613
		6.5	92 984	12 565
		7.0	86 342	11 668

32819H

Singulator Plus Ground Drive Charts

YP 1225 - 1625
120 Cell Wheel

403-133D - 4000-4600 seeds/lb
403-134D - 4600-5200 seeds/lb
403-135D - 5200-6000 seeds/lb

COTTON
TwinRow 30in & 30in Rows
Precision Meter
Ezee Glide Plus Required

Transmission Combinations		Seed Population (seeds/acre)	Twin Row 30in	
Driving	Driven		Seed Spacing (inches)	Planting Speed (mph)
Range Sprockets: Driving = 15 Driven = 60				
17	28	67 179	6.2	8
17	27	69 667	6.0	8
17	26	72 347	5.8	8
19	28	75 083	5.6	8
17	25	75 241	5.6	8
19	27	77 864	5.4	8
17	24	78 376	5.3	8
19	26	80 858	5.2	8
17	23	81 783	5.1	8
19	25	84 093	5.0	8
19	24	87 597	4.8	8
23	28	90 890	4.6	8
19	23	91 405	4.6	8
23	27	94 256	4.4	8
24	28	94 841	4.4	8
23	26	97 881	4.3	8
24	27	98 354	4.3	8
25	28	98 793	4.2	8
17	19	99 001	4.2	8
23	25	101 796	4.1	8
24	26	102 137	4.1	8
25	27	102 452	4.1	8
26	28	102 745	4.1	8
23	24	106 038	3.9	8
24	25	106 222	3.9	8
25	26	106 393	3.9	8
26	27	106 550	3.9	8
27	28	106 697	3.9	8
23	23	110 648	3.8	8
28	27	114 746	3.6	8
27	26	114 904	3.6	8
26	25	115 074	3.6	8
25	24	115 259	3.6	8
24	23	115 459	3.6	8
28	26	119 160	3.5	8
27	25	119 500	3.5	8
26	24	119 869	3.5	8
25	23	120 270	3.5	8
19	17	123 666	3.4	8
28	25	123 926	3.4	8
27	24	124 479	3.4	8
26	23	125 081	3.3	8
28	24	129 090	3.2	8
27	23	129 891	3.2	8
23	19	133 943	3.1	7
28	23	134 702	3.1	7
24	19	139 766	3.0	7
25	19	145 590	2.9	7
23	17	149 701	2.8	6
26	19	151 413	2.8	6
24	17	156 209	2.7	6
27	19	157 237	2.7	6
25	17	162 718	2.6	6
28	19	163 061	2.6	6
26	17	169 227	2.5	6
27	17	175 735	2.4	5
28	17	182 244	2.3	5

30in Rows		
Seed Population (seeds/acre)	Seed Spacing (inches)	Planting Speed (mph)
Range Sprockets: Driving = 15 Driven = 60		
33 590	6.2	8
34 834	6.0	8
36 173	5.8	8
37 541	5.6	8
37 620	5.6	8
38 932	5.4	8
39 188	5.3	8
40 429	5.2	8
40 892	5.1	8
42 046	5.0	8
43 798	4.8	8
45 445	4.6	8
45 703	4.6	8
47 128	4.4	8
47 421	4.4	8
48 941	4.3	8
49 177	4.3	8
49 397	4.2	8
49 501	4.2	8
50 898	4.1	8
51 068	4.1	8
51 226	4.1	8
51 372	4.1	8
53 019	3.9	8
53 111	3.9	8
53 196	3.9	8
53 275	3.9	8
53 348	3.9	8
55 324	3.8	8
57 373	3.6	8
57 452	3.6	8
57 537	3.6	8
57 629	3.6	8
57 730	3.6	8
59 580	3.5	8
59 750	3.5	8
59 934	3.5	8
60 135	3.5	8
61 833	3.4	8
61 963	3.4	8
62 240	3.4	8
62 540	3.3	8
64 545	3.2	8
64 946	3.2	8
66 971	3.1	7
67 351	3.1	7
69 883	3.0	7
72 795	2.9	7
74 850	2.8	6
75 707	2.8	6
78 105	2.7	6
78 618	2.7	6
81 359	2.6	6
81 530	2.6	6
84 613	2.5	6
87 868	2.4	5
91 122	2.3	5

31213

YP 1225 - 1625

120 Cell Wheel

403-133D - 4000-4600 seeds/lb

403-134D - 4600-5200 seeds/lb

403-135D - 5200-6000 seeds/lb

COTTON

TwinRow 36in & 36in Rows

Precision Meter

Ezee Glide Plus Required

Transmission Combinations		Seed Population (seeds/acre)	Twin Row 36in	
Driving	Driven		Seed Spacing (inches)	Planting Speed (mph)
17	28	55 983	6.2	8
17	27	58 056	6.0	8
17	26	60 289	5.8	8
19	28	62 569	5.6	8
17	25	62 701	5.6	8
19	27	64 886	5.4	8
17	24	65 313	5.3	8
19	26	67 382	5.2	8
17	23	68 153	5.1	8
19	25	70 077	5.0	8
19	24	72 997	4.8	8
23	28	75 741	4.6	8
19	23	76 171	4.6	8
23	27	78 547	4.4	8
24	28	79 034	4.4	8
23	26	81 568	4.3	8
24	27	81 962	4.3	8
25	28	82 328	4.2	8
17	19	82 501	4.2	8
23	25	84 830	4.1	8
24	26	85 114	4.1	8
25	27	85 377	4.1	8
26	28	85 621	4.1	8
23	24	88 365	3.9	8
24	25	88 519	3.9	8
25	26	88 660	3.9	8
26	27	88 792	3.9	8
27	28	88 914	3.9	8
23	23	92 207	3.8	8
28	27	95 622	3.6	8
27	26	95 753	3.6	8
26	25	95 895	3.6	8
25	24	96 049	3.6	8
24	23	96 216	3.6	8
28	26	99 300	3.5	8
27	25	99 583	3.5	8
26	24	99 891	3.5	8
25	23	100 225	3.5	8
19	17	103 055	3.4	8
28	25	103 272	3.4	8
27	24	103 733	3.4	8
26	23	104 234	3.3	8
28	24	107 575	3.2	8
27	23	108 243	3.2	8
23	19	111 619	3.1	7
28	23	112 252	3.1	7
24	19	116 472	3.0	7
25	19	121 325	2.9	7
23	17	124 750	2.8	6
26	19	126 178	2.8	6
24	17	130 174	2.7	6
27	19	131 031	2.7	6
25	17	135 598	2.6	6
28	19	135 884	2.6	6
26	17	141 022	2.5	6
27	17	146 446	2.4	5
28	17	151 870	2.3	5

36in Rows		
Range Sprockets: Driving = 15 Driven = 60		
Seed Population (seeds/acre)	Seed Spacing (inches)	Planting Speed (mph)
27 991	6.2	8
29 028	6.0	8
30 145	5.8	8
31 284	5.6	8
31 350	5.6	8
32 443	5.4	8
32 657	5.3	8
33 691	5.2	8
34 076	5.1	8
35 039	5.0	8
36 499	4.8	8
37 871	4.6	8
38 085	4.6	8
39 273	4.4	8
39 517	4.4	8
40 784	4.3	8
40 981	4.3	8
41 164	4.2	8
41 250	4.2	8
42 415	4.1	8
42 557	4.1	8
42 688	4.1	8
42 810	4.1	8
44 182	3.9	8
44 259	3.9	8
44 330	3.9	8
44 396	3.9	8
44 457	3.9	8
46 103	3.8	8
47 811	3.6	8
47 877	3.6	8
47 948	3.6	8
48 024	3.6	8
48 108	3.6	8
49 650	3.5	8
49 792	3.5	8
49 945	3.5	8
50 112	3.5	8
51 527	3.4	8
51 636	3.4	8
51 866	3.4	8
52 117	3.3	8
53 787	3.2	8
54 121	3.2	8
55 809	3.1	7
56 126	3.1	7
58 236	3.0	7
60 662	2.9	7
62 375	2.8	6
63 089	2.8	6
65 087	2.7	6
65 515	2.7	6
67 799	2.6	6
67 942	2.6	6
70 511	2.5	6
73 223	2.4	5
75 935	2.3	5

31214

YP 1225 - 1625
102 Cell Wheel

403-137D - 10500-18000 seeds/lb

MILO

Low Rate

Precision Meter

Ezee Glide Plus Required

Transmission Combinations		Seed Population (seeds/acre)	30in Rows		36in Rows	
			Seed Spacing (inches)	Maximum Planting Speed (mph)	Seed Spacing (inches)	Maximum Planting Speed (mph)
Driving	Driven					
17	28	28 551	7.3	8	6.1	8
17	27	29 609	7.1	8	5.9	8
17	26	30 747	6.8	8	5.7	8
19	28	31 910	6.6	8	5.5	8
17	25	31 977	6.5	8	5.4	8
19	27	33 092	6.3	8	5.3	8
17	24	33 310	6.3	8	5.2	8
19	26	34 365	6.1	8	5.1	8
17	23	34 758	6.0	8	5.0	8
19	25	35 739	5.9	8	4.9	8
19	24	37 229	5.6	8	4.7	8
23	28	38 628	5.4	8	4.5	8
19	23	38 847	5.4	8	4.5	8
23	27	40 059	5.2	8	4.3	8
24	28	40 308	5.2	8	4.3	8
23	26	41 599	5.0	8	4.2	8
24	27	41 800	5.0	8	4.2	8
25	28	41 987	5.0	8	4.1	8
17	19	42 075	5.0	8	4.1	7
23	25	43 263	4.8	8	4.0	7
24	26	43 408	4.8	8	4.0	7
25	27	43 542	4.8	8	4.0	7
26	28	43 667	4.8	8	4.0	7
23	24	45 066	4.6	8	3.9	7
24	25	45 144	4.6	8	3.9	7
25	26	45 217	4.6	8	3.9	7
26	27	45 284	4.6	8	3.8	7
27	28	45 346	4.6	8	3.8	7
23	23	47 026	4.4	8	3.7	7
28	27	48 767	4.3	8	3.6	6
27	26	48 834	4.3	8	3.6	6
26	25	48 907	4.3	8	3.6	6
25	24	48 985	4.3	8	3.6	6
24	23	49 070	4.3	8	3.6	6
28	26	50 643	4.1	7	3.4	6
27	25	50 788	4.1	7	3.4	6
26	24	50 944	4.1	7	3.4	6
25	23	51 115	4.1	7	3.4	6
19	17	52 558	4.0	7	3.3	6
28	25	52 669	4.0	7	3.3	6
27	24	52 904	4.0	7	3.3	6
26	23	53 159	3.9	7	3.3	6
28	24	54 863	3.8	7	3.2	6
27	23	55 204	3.8	7	3.2	6
23	19	56 926	3.7	7	3.1	5
28	23	57 248	3.7	7	3.0	5
24	19	59 401	3.5	6	2.9	5
25	19	61 876	3.4	6	2.8	5
23	17	63 623	3.3	6	2.7	5
26	19	64 351	3.2	6	2.7	5
24	17	66 389	3.1	6	2.6	5
27	19	66 826	3.1	6	2.6	5
25	17	69 155	3.0	5	2.5	4
28	19	69 301	3.0	5	2.5	4
26	17	71 921	2.9	5	2.4	4
27	17	74 688	2.8	5	2.3	4
28	17	77 454	2.7	5	2.2	4

31215

YP 1225 - 1625
102 Cell Wheel

403-137D - 10500-18000 seeds/lb

MILO
Precision Meter
Ezee Glide Plus Required

Transmission Combinations Driving Driven		Seed Population (seeds/acre)	Twin Row 30in 15in Rows		Twin Row 36in		20in Rows		30in Rows		36in Rows	
			Range Sprockets: Driving = 15 Driven = 60		Range Sprockets: Driving = 18 Driven = 60		Range Sprockets: Driving = 20 Driven = 60		Range Sprockets: Driving = 15 Driven = 30		Range Sprockets: Driving = 18 Driven = 30	
			Seed Spacing (inches)	Planting Speed (mph)	Seed Spacing (inches)	Planting Speed (mph)	Seed Spacing (inches)	Planting Speed (mph)	Seed Spacing (inches)	Planting Speed (mph)	Seed Spacing (inches)	Planting Speed (mph)
17	28	57 102	7.3	8	6.1	8	5.5	8	3.7	7	3.1	5
17	27	59 217	7.1	8	5.9	8	5.3	8	3.5	6	2.9	5
17	26	61 495	6.8	8	5.7	8	5.1	8	3.4	6	2.8	5
19	28	63 820	6.6	8	5.5	8	4.9	8	3.3	6	2.7	5
17	25	63 955	6.5	8	5.4	8	4.9	8	3.3	6	2.7	5
19	27	66 184	6.3	8	5.3	8	4.7	8	3.2	6	2.6	5
17	24	66 619	6.3	8	5.2	8	4.7	8	3.1	6	2.6	5
19	26	68 730	6.1	8	5.1	8	4.6	8	3.0	5	2.5	4
17	23	69 516	6.0	8	5.0	8	4.5	8	3.0	5	2.5	4
19	25	71 479	5.9	8	4.9	8	4.4	8	2.9	5	2.4	4
19	24	74 457	5.6	8	4.7	8	4.2	8	2.8	5	2.3	4
23	28	77 256	5.4	8	4.5	8	4.1	7	2.7	5	2.3	4
19	23	77 694	5.4	8	4.5	8	4.0	7	2.7	5	2.2	4
23	27	80 118	5.2	8	4.3	8	3.9	7	2.6	5	2.2	4
24	28	80 615	5.2	8	4.3	8	3.9	7	2.6	5	2.2	4
23	26	83 199	5.0	8	4.2	8	3.8	7	2.5	4	2.1	4
24	27	83 601	5.0	8	4.2	8	3.8	7	2.5	4	2.1	4
25	28	83 974	5.0	8	4.1	8	3.7	7	2.5	4	2.1	4
17	19	84 151	5.0	8	4.1	7	3.7	7	2.5	4	2.1	3
23	25	86 527	4.8	8	4.0	7	3.6	7	2.4	4	2.0	3
24	26	86 816	4.8	8	4.0	7	3.6	6	2.4	4	2.0	3
25	27	87 084	4.8	8	4.0	7	3.6	6	2.4	4	2.0	3
26	28	87 333	4.8	8	4.0	7	3.6	6	2.4	4	2.0	3
23	24	90 132	4.6	8	3.9	7	3.5	6	2.3	4	1.9	3
24	25	90 289	4.6	8	3.9	7	3.5	6	2.3	4	1.9	3
25	26	90 434	4.6	8	3.9	7	3.5	6	2.3	4	1.9	3
26	27	90 568	4.6	8	3.8	7	3.5	6	2.3	4	1.9	3
27	28	90 692	4.6	8	3.8	7	3.5	6	2.3	4	1.9	3
23	23	94 051	4.4	8	3.7	7	3.3	6	2.2	4	1.9	3
28	27	97 534	4.3	8	3.6	6	3.2	6	2.1	4	1.8	3
27	26	97 668	4.3	8	3.6	6	3.2	6	2.1	4	1.8	3
26	25	97 813	4.3	8	3.6	6	3.2	6	2.1	4	1.8	3
25	24	97 970	4.3	8	3.6	6	3.2	6	2.1	4	1.8	3
24	23	98 140	4.3	8	3.6	6	3.2	6	2.1	4	1.8	3
28	26	101 286	4.1	7	3.4	6	3.1	5	2.1	3	1.7	3
27	25	101 575	4.1	7	3.4	6	3.1	5	2.1	3	1.7	3
26	24	101 889	4.1	7	3.4	6	3.1	5	2.1	3	1.7	3
25	23	102 229	4.1	7	3.4	6	3.1	5	2.0	3	1.7	3
19	17	105 116	4.0	7	3.3	6	3.0	5	2.0	3	1.7	3
28	25	105 337	4.0	7	3.3	6	3.0	5	2.0	3	1.7	3
27	24	105 807	4.0	7	3.3	6	3.0	5	2.0	3	1.6	3
26	23	106 319	3.9	7	3.3	6	2.9	5	2.0	3	1.6	3
28	24	109 726	3.8	7	3.2	6	2.9	5	1.9	3	1.6	3
27	23	110 408	3.8	7	3.2	6	2.8	5	1.9	3	1.6	3
23	19	113 851	3.7	7	3.1	5	2.8	5	1.8	3	1.5	2
28	23	114 497	3.7	7	3.0	5	2.7	5	1.8	3	1.5	2
24	19	118 801	3.5	6	2.9	5	2.6	5	1.8	3	1.5	2
25	19	123 751	3.4	6	2.8	5	2.5	4	1.7	3	1.4	2
23	17	127 245	3.3	6	2.7	5	2.5	4	1.6	3	1.4	2
26	19	128 701	3.2	6	2.7	5	2.4	4	1.6	3	1.4	2
24	17	132 778	3.1	6	2.6	5	2.4	4	1.6	3	1.3	2
27	19	133 651	3.1	6	2.6	5	2.3	4	1.6	3	1.3	2
25	17	138 310	3.0	5	2.5	4	2.3	4	1.5	2	1.3	2
28	19	138 601	3.0	5	2.5	4	2.3	4	1.5	2	1.3	2
26	17	143 843	2.9	5	2.4	4	2.2	4	1.5	2	1.2	2
27	17	149 375	2.8	5	2.3	4	2.1	4	1.4	2	1.2	2
28	17	154 908	2.7	5	2.2	4	2.0	3	1.3	2	1.1	2

31216

YP 1225 - 1625

135 Cell Wheel

403-140D - 12000-18000 seeds/lb

403-138D - 10500-14000 seeds/lb

MILO

Low Rate

Precision Meter

Ezee Glide Plus Required

Transmission Combinations		Seed Population (seeds/acre)	30in Rows		36in Rows	
			Seed Spacing (inches)	Maximum Planting Speed (mph)	Seed Spacing (inches)	Maximum Planting Speed (mph)
Driving = 17	Driven = 28	37 788	5.5	8	4.6	8
17	27	39 188	5.3	8	4.4	8
17	26	40 695	5.1	8	4.3	8
19	28	42 234	5.0	8	4.1	8
17	25	42 323	4.9	8	4.1	8
19	27	43 798	4.8	8	4.0	8
17	24	44 086	4.7	8	4.0	8
19	26	45 483	4.6	8	3.8	8
17	23	46 003	4.5	8	3.8	8
19	25	47 302	4.4	8	3.7	8
19	24	49 273	4.2	8	3.5	8
23	28	51 125	4.1	8	3.4	8
19	23	51 415	4.1	8	3.4	8
23	27	53 019	3.9	8	3.3	8
24	28	53 348	3.9	8	3.3	8
23	26	55 058	3.8	8	3.2	8
24	27	55 324	3.8	8	3.1	8
25	28	55 571	3.8	8	3.1	8
17	19	55 688	3.8	8	3.1	7
23	25	57 260	3.7	8	3.0	7
24	26	57 452	3.6	8	3.0	7
25	27	57 629	3.6	8	3.0	7
26	28	57 794	3.6	8	3.0	7
23	24	59 646	3.5	8	2.9	7
24	25	59 750	3.5	8	2.9	7
25	26	59 846	3.5	8	2.9	7
26	27	59 934	3.5	8	2.9	7
27	28	60 017	3.5	8	2.9	7
23	23	62 240	3.4	8	2.8	7
28	27	64 545	3.2	8	2.7	6
27	26	64 633	3.2	8	2.7	6
26	25	64 729	3.2	8	2.7	6
25	24	64 833	3.2	8	2.7	6
24	23	64 946	3.2	8	2.7	6
28	26	67 027	3.1	7	2.6	6
27	25	67 219	3.1	7	2.6	6
26	24	67 426	3.1	7	2.6	6
25	23	67 652	3.1	7	2.6	6
19	17	69 562	3.0	7	2.5	6
28	25	69 708	3.0	7	2.5	6
27	24	70 020	3.0	7	2.5	6
26	23	70 358	3.0	7	2.5	6
28	24	72 613	2.9	7	2.4	6
27	23	73 064	2.9	7	2.4	6
23	19	75 343	2.8	7	2.3	5
28	23	75 770	2.8	7	2.3	5
24	19	78 618	2.7	6	2.2	5
25	19	81 894	2.6	6	2.1	5
23	17	84 207	2.5	6	2.1	5
26	19	85 170	2.5	6	2.0	5
24	17	87 868	2.4	6	2.0	5
27	19	88 446	2.4	6	2.0	5
25	17	91 529	2.3	5	1.9	4
28	19	91 722	2.3	5	1.9	4
26	17	95 190	2.2	5	1.8	4
27	17	98 851	2.1	5	1.8	4
28	17	102 512	2.0	5	1.7	4

31217

**YP 1225 - 1625
135 Cell Wheel**

403-140D - 12000-18000 seeds/lb
403-138D - 10500-14000 seeds/lb

MILO
Precision Meter
Ezee Glide Plus Required

Transmission Combinations Driving Driven			Twin Row 30in 15in Rows		Twin Row 36in		20in Rows		30in Rows		36in Rows			
			Range Sprockets: Driving = 15 Driven = 60		Range Sprockets: Driving = 18 Driven = 60		Range Sprockets: Driving = 20 Driven = 60		Range Sprockets: Driving = 15 Driven = 30		Range Sprockets: Driving = 18 Driven = 30			
			Seed Spacing (inches)	Maximum Planting Speed (mph)	Seed Spacing (inches)	Maximum Planting Speed (mph)	Seed Spacing (inches)	Maximum Planting Speed (mph)	Seed Spacing (inches)	Maximum Planting Speed (mph)	Seed Spacing (inches)	Maximum Planting Speed (mph)	Seed Spacing (inches)	Maximum Planting Speed (mph)
Seed Population (seeds/acre)														
17	28	75 577	5.5	8	4.6	8	4.1	8	2.8	7	2.3	5		
17	27	78 376	5.3	8	4.4	8	4.0	8	2.7	6	2.2	5		
17	26	81 390	5.1	8	4.3	8	3.9	8	2.6	6	2.1	5		
19	28	84 468	5.0	8	4.1	8	3.7	8	2.5	6	2.1	5		
17	25	84 646	4.9	8	4.1	8	3.7	8	2.5	6	2.1	5		
19	27	87 597	4.8	8	4.0	8	3.6	8	2.4	6	2.0	5		
17	24	88 173	4.7	8	4.0	8	3.6	8	2.4	6	2.0	5		
19	26	90 966	4.6	8	3.8	8	3.4	8	2.3	5	1.9	4		
17	23	92 006	4.5	8	3.8	8	3.4	8	2.3	5	1.9	4		
19	25	94 604	4.4	8	3.7	8	3.3	8	2.2	5	1.8	4		
19	24	98 546	4.2	8	3.5	8	3.2	8	2.1	5	1.8	4		
23	28	102 251	4.1	8	3.4	8	3.1	7	2.0	5	1.7	4		
19	23	102 831	4.1	8	3.4	8	3.0	7	2.0	5	1.7	4		
23	27	106 038	3.9	8	3.3	8	3.0	7	2.0	5	1.6	4		
24	28	106 697	3.9	8	3.3	8	2.9	7	2.0	5	1.6	4		
23	26	110 116	3.8	8	3.2	8	2.8	7	1.9	4	1.6	4		
24	27	110 648	3.8	8	3.1	8	2.8	7	1.9	4	1.6	4		
25	28	111 142	3.8	8	3.1	8	2.8	7	1.9	4	1.6	4		
17	19	111 376	3.8	8	3.1	7	2.8	7	1.9	4	1.6	3		
23	25	114 521	3.7	8	3.0	7	2.7	7	1.8	4	1.5	3		
24	26	114 904	3.6	8	3.0	7	2.7	6	1.8	4	1.5	3		
25	27	115 259	3.6	8	3.0	7	2.7	6	1.8	4	1.5	3		
26	28	115 588	3.6	8	3.0	7	2.7	6	1.8	4	1.5	3		
23	24	119 293	3.5	8	2.9	7	2.6	6	1.8	4	1.5	3		
24	25	119 500	3.5	8	2.9	7	2.6	6	1.7	4	1.5	3		
25	26	119 692	3.5	8	2.9	7	2.6	6	1.7	4	1.5	3		
26	27	119 869	3.5	8	2.9	7	2.6	6	1.7	4	1.5	3		
27	28	120 034	3.5	8	2.9	7	2.6	6	1.7	4	1.5	3		
23	23	124 479	3.4	8	2.8	7	2.5	6	1.7	4	1.4	3		
28	27	129 090	3.2	8	2.7	6	2.4	6	1.6	4	1.3	3		
27	26	129 267	3.2	8	2.7	6	2.4	6	1.6	4	1.3	3		
26	25	129 458	3.2	8	2.7	6	2.4	6	1.6	4	1.3	3		
25	24	129 666	3.2	8	2.7	6	2.4	6	1.6	4	1.3	3		
24	23	129 891	3.2	8	2.7	6	2.4	6	1.6	4	1.3	3		
28	26	134 055	3.1	7	2.6	6	2.3	5	1.6	3	1.3	3		
27	25	134 438	3.1	7	2.6	6	2.3	5	1.6	3	1.3	3		
26	24	134 853	3.1	7	2.6	6	2.3	5	1.6	3	1.3	3		
25	23	135 304	3.1	7	2.6	6	2.3	5	1.5	3	1.3	3		
19	17	139 124	3.0	7	2.5	6	2.3	5	1.5	3	1.3	3		
28	25	139 417	3.0	7	2.5	6	2.2	5	1.5	3	1.2	3		
27	24	140 039	3.0	7	2.5	6	2.2	5	1.5	3	1.2	3		
26	23	140 716	3.0	7	2.5	6	2.2	5	1.5	3	1.2	3		
28	24	145 226	2.9	7	2.4	6	2.2	5	1.4	3	1.2	3		
27	23	146 128	2.9	7	2.4	6	2.1	5	1.4	3	1.2	3		
23	19	150 685	2.8	7	2.3	5	2.1	5	1.4	3	1.2	2		
28	23	151 540	2.8	7	2.3	5	2.1	5	1.4	3	1.1	2		
24	19	157 237	2.7	6	2.2	5	2.0	5	1.3	3	1.1	2		
25	19	163 789	2.6	6	2.1	5	1.9	4	1.3	3	1.1	2		
23	17	168 413	2.5	6	2.1	5	1.9	4	1.2	3	1.0	2		
26	19	170 340	2.5	6	2.0	5	1.8	4	1.2	3	1.0	2		
24	17	175 735	2.4	6	2.0	5	1.8	4	1.2	3	1.0	2		
27	19	176 892	2.4	6	2.0	5	1.8	4	1.2	3	1.0	2		
25	17	183 058	2.3	5	1.9	4	1.7	4	1.1	2	1.0	2		
28	19	183 443	2.3	5	1.9	4	1.7	4	1.1	2	0.9	2		
26	17	190 380	2.2	5	1.8	4	1.6	4	1.1	2	0.9	2		
27	17	197 702	2.1	5	1.8	4	1.6	4	1.1	2	0.9	2		
28	17	205 025	2.0	5	1.7	4	1.5	3	1.0	2	0.8	2		

31218

**YP 1225 - 1625
270 Cell Wheel**

403-141D - 12000-18000 seeds/lb
403-139D - 10500-14000 seeds/lb

MILO
Precision Meter
Ezee Glide Plus Required

Transmission Combinations Driving Driven		Seed Population (seeds/acre)	Twin Row 30in 15in Rows		Twin Row 36in		20in Rows		30in Rows		36in Rows	
			Range Sprockets: Driving = 15 Driven = 60		Range Sprockets: Driving = 18 Driven = 60		Range Sprockets: Driving = 20 Driven = 60		Range Sprockets: Driving = 15 Driven = 30		Range Sprockets: Driving = 18 Driven = 30	
			Seed Spacing (inches)	Maximum Planting Speed (mph)	Seed Spacing (inches)	Maximum Planting Speed (mph)	Seed Spacing (inches)	Maximum Planting Speed (mph)	Seed Spacing (inches)	Maximum Planting Speed (mph)	Seed Spacing (inches)	Maximum Planting Speed (mph)
17	28	151 153	2.8	8	2.3	8	2.1	8	1.4	7	1.2	5
17	27	156 752	2.7	8	2.2	8	2.0	8	1.3	6	1.1	5
17	26	162 781	2.6	8	2.1	8	1.9	8	1.3	6	1.1	5
19	28	168 936	2.5	8	2.1	8	1.9	8	1.2	6	1.0	5
17	25	169 292	2.5	8	2.1	8	1.9	8	1.2	6	1.0	5
19	27	175 193	2.4	8	2.0	8	1.8	8	1.2	6	1.0	5
17	24	176 346	2.4	8	2.0	8	1.8	8	1.2	6	1.0	5
19	26	181 931	2.3	8	1.9	8	1.7	8	1.1	5	1.0	4
17	23	184 013	2.3	8	1.9	8	1.7	8	1.1	5	0.9	4
19	25	189 208	2.2	8	1.8	8	1.7	8	1.1	5	0.9	4
19	24	197 092	2.1	8	1.8	8	1.6	8	1.1	5	0.9	4
23	28	204 502	2.0	8	1.7	8	1.5	7	1.0	5	0.9	4
19	23	205 661	2.0	8	1.7	8	1.5	7	1.0	5	0.8	4
23	27	212 076	2.0	8	1.6	8	1.5	7	1.0	5	0.8	4
24	28	213 393	2.0	8	1.6	8	1.5	7	1.0	5	0.8	4
23	26	220 233	1.9	8	1.6	8	1.4	7	0.9	4	0.8	4
24	27	221 296	1.9	8	1.6	8	1.4	7	0.9	4	0.8	4
25	28	222 284	1.9	8	1.6	8	1.4	7	0.9	4	0.8	4
17	19	222 752	1.9	8	1.6	7	1.4	7	0.9	4	0.8	3
23	25	229 042	1.8	8	1.5	7	1.4	7	0.9	4	0.8	3
24	26	229 808	1.8	8	1.5	7	1.4	6	0.9	4	0.8	3
25	27	230 517	1.8	8	1.5	7	1.4	6	0.9	4	0.8	3
26	28	231 176	1.8	8	1.5	7	1.4	6	0.9	4	0.8	3
23	24	238 585	1.8	8	1.5	7	1.3	6	0.9	4	0.7	3
24	25	239 000	1.7	8	1.5	7	1.3	6	0.9	4	0.7	3
25	26	239 383	1.7	8	1.5	7	1.3	6	0.9	4	0.7	3
26	27	239 738	1.7	8	1.5	7	1.3	6	0.9	4	0.7	3
27	28	240 067	1.7	8	1.5	7	1.3	6	0.9	4	0.7	3
23	23	248 959	1.7	8	1.4	7	1.3	6	0.8	4	0.7	3
28	27	258 179	1.6	8	1.3	6	1.2	6	0.8	4	0.7	3
27	26	258 534	1.6	8	1.3	6	1.2	6	0.8	4	0.7	3
26	25	258 917	1.6	8	1.3	6	1.2	6	0.8	4	0.7	3
25	24	259 332	1.6	8	1.3	6	1.2	6	0.8	4	0.7	3
24	23	259 783	1.6	8	1.3	6	1.2	6	0.8	4	0.7	3
28	26	268 109	1.6	7	1.3	6	1.2	5	0.8	3	0.6	3
27	25	268 875	1.6	7	1.3	6	1.2	5	0.8	3	0.6	3
26	24	269 705	1.6	7	1.3	6	1.2	5	0.8	3	0.6	3
25	23	270 607	1.5	7	1.3	6	1.2	5	0.8	3	0.6	3
19	17	278 248	1.5	7	1.3	6	1.1	5	0.8	3	0.6	3
28	25	278 834	1.5	7	1.2	6	1.1	5	0.7	3	0.6	3
27	24	280 078	1.5	7	1.2	6	1.1	5	0.7	3	0.6	3
26	23	281 431	1.5	7	1.2	6	1.1	5	0.7	3	0.6	3
28	24	290 452	1.4	7	1.2	6	1.1	5	0.7	3	0.6	3
27	23	292 256	1.4	7	1.2	6	1.1	5	0.7	3	0.6	3
23	19	301 371	1.4	7	1.2	5	1.0	5	0.7	3	0.6	2
28	23	303 080	1.4	7	1.1	5	1.0	5	0.7	3	0.6	2
24	19	314 474	1.3	6	1.1	5	1.0	5	0.7	3	0.6	2
25	19	327 577	1.3	6	1.1	5	1.0	4	0.6	3	0.5	2
23	17	336 826	1.2	6	1.0	5	0.9	4	0.6	3	0.5	2
26	19	340 680	1.2	6	1.0	5	0.9	4	0.6	3	0.5	2
24	17	351 471	1.2	6	1.0	5	0.9	4	0.6	3	0.5	2
27	19	353 783	1.2	6	1.0	5	0.9	4	0.6	3	0.5	2
25	17	366 116	1.1	5	1.0	4	0.9	4	0.6	2	0.5	2
28	19	366 886	1.1	5	0.9	4	0.9	4	0.6	2	0.5	2
26	17	380 760	1.1	5	0.9	4	0.8	4	0.5	2	0.5	2
27	17	395 405	1.1	5	0.9	4	0.8	4	0.5	2	0.4	2
28	17	410 049	1.0	5	0.8	4	0.8	3	0.5	2	0.4	2

31219

YP 1225 - 1625
100 Cell Wheel

403-122D - 1700-2200 seeds/lb

SOYBEAN
Precision Meter
Ezee Glide Plus Required

Page 1 of 2

			Twin Row 30in 15in Rows		Twin Row 36in		20in Rows		30in Rows		36in Rows	
			Range Sprockets: Driving = 15 Driven = 60		Range Sprockets: Driving = 18 Driven = 60		Range Sprockets: Driving = 20 Driven = 60		Range Sprockets: Driving = 30 Driven = 60		Range Sprockets: Driving = 36 Driven = 60	
Transmission Combinations			Seed	Maximum	Seed	Maximum	Seed	Maximum	Seed	Maximum	Seed	Maximum
Driving	Driven	Seed Population (seeds/acre)	Spacing (inches)	Planting Speed (mph)	Spacing (inches)	Planting Speed (mph)	Spacing (inches)	Planting Speed (mph)	Spacing (inches)	Planting Speed (mph)	Spacing (inches)	Planting Speed (mph)
17	28	55 983	7.5	8	6.2	8	5.6	8	3.7	8	3.1	8
17	27	58 056	7.2	8	6.0	8	5.4	8	3.6	8	3.0	8
17	26	60 289	6.9	8	5.8	8	5.2	8	3.5	8	2.9	8
19	28	62 569	6.7	8	5.6	8	5.0	8	3.3	8	2.8	8
17	25	62 701	6.7	8	5.6	8	5.0	8	3.3	8	2.8	8
19	27	64 886	6.4	8	5.4	8	4.8	8	3.2	8	2.7	8
17	24	65 313	6.4	8	5.3	8	4.8	8	3.2	8	2.7	8
19	26	67 382	6.2	8	5.2	8	4.7	8	3.1	8	2.6	8
17	23	68 153	6.1	8	5.1	8	4.6	8	3.1	8	2.6	7
19	25	70 077	6.0	8	5.0	8	4.5	8	3.0	8	2.5	7
19	24	72 997	5.7	8	4.8	8	4.3	8	2.9	8	2.4	7
23	28	75 741	5.5	8	4.6	8	4.1	8	2.8	8	2.3	7
19	23	76 171	5.5	8	4.6	8	4.1	8	2.7	8	2.3	7
23	27	78 547	5.3	8	4.4	8	4.0	8	2.7	8	2.2	6
24	28	79 034	5.3	8	4.4	8	4.0	8	2.6	8	2.2	6
23	26	81 568	5.1	8	4.3	8	3.8	8	2.6	7	2.1	6
24	27	81 962	5.1	8	4.3	8	3.8	8	2.6	7	2.1	6
25	28	82 328	5.1	8	4.2	8	3.8	8	2.5	7	2.1	6
17	19	82 501	5.1	8	4.2	8	3.8	8	2.5	7	2.1	6
23	25	84 830	4.9	8	4.1	8	3.7	8	2.5	7	2.1	6
24	26	85 114	4.9	8	4.1	8	3.7	8	2.5	7	2.0	6
25	27	85 377	4.9	8	4.1	8	3.7	8	2.4	7	2.0	6
26	28	85 621	4.9	8	4.1	8	3.7	8	2.4	7	2.0	6
23	24	88 365	4.7	8	3.9	8	3.5	8	2.4	7	2.0	6
24	25	88 519	4.7	8	3.9	8	3.5	8	2.4	7	2.0	6
25	26	88 660	4.7	8	3.9	8	3.5	8	2.4	7	2.0	6
26	27	88 792	4.7	8	3.9	8	3.5	8	2.4	7	2.0	6
27	28	88 914	4.7	8	3.9	8	3.5	8	2.4	7	2.0	6
23	23	92 207	4.5	8	3.8	8	3.4	8	2.3	7	1.9	5
28	27	95 622	4.4	8	3.6	8	3.3	8	2.2	6	1.8	5
27	26	95 753	4.4	8	3.6	8	3.3	8	2.2	6	1.8	5
26	25	95 895	4.4	8	3.6	8	3.3	8	2.2	6	1.8	5
25	24	96 049	4.4	8	3.6	8	3.3	8	2.2	6	1.8	5
24	23	96 216	4.3	8	3.6	8	3.3	8	2.2	6	1.8	5
28	26	99 300	4.2	8	3.5	8	3.2	8	2.1	6	1.8	5
27	25	99 583	4.2	8	3.5	8	3.1	8	2.1	6	1.7	5
26	24	99 891	4.2	8	3.5	8	3.1	8	2.1	6	1.7	5
25	23	100 225	4.2	8	3.5	8	3.1	8	2.1	6	1.7	5
19	17	103 055	4.1	8	3.4	8	3.0	8	2.0	6	1.7	5
28	25	103 272	4.0	8	3.4	8	3.0	8	2.0	6	1.7	5
27	24	103 733	4.0	8	3.4	8	3.0	8	2.0	6	1.7	5
26	23	104 234	4.0	8	3.3	8	3.0	8	2.0	6	1.7	5
28	24	107 575	3.9	8	3.2	8	2.9	8	1.9	6	1.6	5
27	23	108 243	3.9	8	3.2	8	2.9	8	1.9	6	1.6	5
23	19	111 619	3.7	8	3.1	8	2.8	8	1.9	5	1.6	4
28	23	112 252	3.7	8	3.1	8	2.8	8	1.9	5	1.6	4
24	19	116 472	3.6	8	3.0	8	2.7	8	1.8	5	1.5	4
25	19	121 325	3.4	8	2.9	8	2.6	8	1.7	5	1.4	4
23	17	124 750	3.4	8	2.8	8	2.5	7	1.7	5	1.4	4
26	19	126 178	3.3	8	2.8	8	2.5	7	1.7	5	1.4	4
24	17	130 174	3.2	8	2.7	8	2.4	7	1.6	4	1.3	4
27	19	131 031	3.2	8	2.7	8	2.4	7	1.6	4	1.3	4
25	17	135 598	3.1	8	2.6	7	2.3	7	1.5	4	1.3	3
28	19	135 884	3.1	8	2.6	7	2.3	7	1.5	4	1.3	3
26	17	141 022	3.0	8	2.5	7	2.2	6	1.5	4	1.2	3
27	17	146 446	2.9	8	2.4	7	2.1	6	1.4	4	1.2	3
28	17	151 870	2.8	8	2.3	7	2.1	6	1.4	4	1.1	3

31220

YP 1225 - 1625
100 Cell Wheel

403-122D - 1700-2200 seeds/lb

SOYBEAN
Precision Meter
Ezee Glide Plus Required

Page 2 of 2

Transmission Combinations Driving Driven		Seed Population (seeds/acre)	Twin Row 30in 15in Rows		Twin Row 36in		20in Rows		30in Rows		36in Rows	
			Range Sprockets: Driving = 15 Driven = 30		Range Sprockets: Driving = 18 Driven = 30		Range Sprockets: Driving = 20 Driven = 30		Range Sprockets: Driving = 30 Driven = 30		Range Sprockets: Driving = 36 Driven = 30	
			Seed Spacing (inches)	Maximum Planting Speed (mph)	Seed Spacing (inches)	Maximum Planting Speed (mph)	Seed Spacing (inches)	Maximum Planting Speed (mph)	Seed Spacing (inches)	Maximum Planting Speed (mph)	Seed Spacing (inches)	Maximum Planting Speed (mph)
17	28	111 965	3.7	8	3.1	8	2.8	8	1.9	5	1.6	4
17	27	116 112	3.6	8	3.0	8	2.7	8	1.8	5	1.5	4
17	26	120 578	3.5	8	2.9	8	2.6	8	1.7	5	1.4	4
19	28	125 138	3.3	8	2.8	8	2.5	7	1.7	5	1.4	4
17	25	125 401	3.3	8	2.8	8	2.5	7	1.7	5	1.4	4
19	27	129 773	3.2	8	2.7	8	2.4	7	1.6	5	1.3	4
17	24	130 626	3.2	8	2.7	8	2.4	7	1.6	4	1.3	4
19	26	134 764	3.1	8	2.6	8	2.3	7	1.6	4	1.3	4
17	23	136 306	3.1	8	2.6	7	2.3	7	1.5	4	1.3	3
19	25	140 154	3.0	8	2.5	7	2.2	6	1.5	4	1.2	3
19	24	145 994	2.9	8	2.4	7	2.1	6	1.4	4	1.2	3
23	28	151 483	2.8	8	2.3	7	2.1	6	1.4	4	1.2	3
19	23	152 342	2.7	8	2.3	7	2.1	6	1.4	4	1.1	3
23	27	157 093	2.7	8	2.2	6	2.0	6	1.3	4	1.1	3
24	28	158 069	2.6	8	2.2	6	2.0	6	1.3	4	1.1	3
23	26	163 135	2.6	7	2.1	6	1.9	5	1.3	3	1.1	3
24	27	163 923	2.6	7	2.1	6	1.9	5	1.3	3	1.1	3
25	28	164 655	2.5	7	2.1	6	1.9	5	1.3	3	1.1	3
17	19	165 002	2.5	7	2.1	6	1.9	5	1.3	3	1.1	3
23	25	169 661	2.5	7	2.1	6	1.8	5	1.2	3	1.0	3
24	26	170 228	2.5	7	2.0	6	1.8	5	1.2	3	1.0	3
25	27	170 753	2.4	7	2.0	6	1.8	5	1.2	3	1.0	3
26	28	171 241	2.4	7	2.0	6	1.8	5	1.2	3	1.0	3
23	24	176 730	2.4	7	2.0	6	1.8	5	1.2	3	1.0	3
24	25	177 037	2.4	7	2.0	6	1.8	5	1.2	3	1.0	3
25	26	177 321	2.4	7	2.0	6	1.8	5	1.2	3	1.0	3
26	27	177 584	2.4	7	2.0	6	1.8	5	1.2	3	1.0	3
27	28	177 828	2.4	7	2.0	6	1.8	5	1.2	3	1.0	3
23	23	184 414	2.3	7	1.9	5	1.7	5	1.1	3	0.9	2
28	27	191 244	2.2	6	1.8	5	1.6	5	1.1	3	0.9	2
27	26	191 507	2.2	6	1.8	5	1.6	5	1.1	3	0.9	2
26	25	191 790	2.2	6	1.8	5	1.6	5	1.1	3	0.9	2
25	24	192 098	2.2	6	1.8	5	1.6	5	1.1	3	0.9	2
24	23	192 432	2.2	6	1.8	5	1.6	5	1.1	3	0.9	2
28	26	198 599	2.1	6	1.8	5	1.6	4	1.1	3	0.9	2
27	25	199 167	2.1	6	1.7	5	1.6	4	1.0	3	0.9	2
26	24	199 782	2.1	6	1.7	5	1.6	4	1.0	3	0.9	2
25	23	200 450	2.1	6	1.7	5	1.6	4	1.0	3	0.9	2
19	17	206 109	2.0	6	1.7	5	1.5	4	1.0	3	0.8	2
28	25	206 543	2.0	6	1.7	5	1.5	4	1.0	3	0.8	2
27	24	207 465	2.0	6	1.7	5	1.5	4	1.0	3	0.8	2
26	23	208 468	2.0	6	1.7	5	1.5	4	1.0	3	0.8	2
28	24	215 149	1.9	6	1.6	5	1.5	4	1.0	3	0.8	2
27	23	216 486	1.9	6	1.6	5	1.4	4	1.0	3	0.8	2
23	19	223 238	1.9	5	1.6	4	1.4	4	0.9	2	0.8	2
28	23	224 504	1.9	5	1.6	4	1.4	4	0.9	2	0.8	2
24	19	232 944	1.8	5	1.5	4	1.3	4	0.9	2	0.7	2
25	19	242 650	1.7	5	1.4	4	1.3	4	0.9	2	0.7	2
23	17	249 501	1.7	5	1.4	4	1.3	3	0.8	2	0.7	2
26	19	252 356	1.7	5	1.4	4	1.2	3	0.8	2	0.7	2
24	17	260 349	1.6	4	1.3	4	1.2	3	0.8	2	0.7	2
27	19	262 062	1.6	4	1.3	4	1.2	3	0.8	2	0.7	2
25	17	271 197	1.5	4	1.3	3	1.2	3	0.8	2	0.6	1
28	19	271 768	1.5	4	1.3	3	1.2	3	0.8	2	0.6	1
26	17	282 045	1.5	4	1.2	3	1.1	3	0.7	2	0.6	1
27	17	292 892	1.4	4	1.2	3	1.1	3	0.7	2	0.6	1
28	17	303 740	1.4	4	1.1	3	1.0	3	0.7	2	0.6	1

31221

YP 1225 - 1625
110 Cell Wheel

- 403-123D 2200-2700 seeds/lb
- 403-124D 2700-3200 seeds/lb
- 403-125D 3100-3800 seeds/lb
- 403-126D 3600-4000 seeds/lb

SOYBEAN

Precision Meter
Ezee Glide Plus Required

Transmission Combinations			Seed Population (seeds/acre)		Twin Row 30in 15in Rows		Twin Row 36in		20in Rows		30in Rows		36in Rows	
					Seed Spacing (inches)	Maximum Planting Speed (mph)	Seed Spacing (inches)	Maximum Planting Speed (mph)	Seed Spacing (inches)	Maximum Planting Speed (mph)	Seed Spacing (inches)	Maximum Planting Speed (mph)	Seed Spacing (inches)	Maximum Planting Speed (mph)
Driving = 15	Driven = 60													
Driving = 18	Driven = 60													
Driving = 20	Driven = 60													
Driving = 30	Driven = 60													
Driving = 36	Driven = 60													
17	28	61 581	6.8	8	5.7	8	5.1	8	3.4	8	2.8	8		
17	27	63 862	6.5	8	5.5	8	4.9	8	3.3	8	2.7	8		
17	26	66 318	6.3	8	5.3	8	4.7	8	3.2	8	2.6	8		
19	28	68 826	6.1	8	5.1	8	4.6	8	3.0	8	2.5	8		
17	25	68 971	6.1	8	5.1	8	4.5	8	3.0	8	2.5	8		
19	27	71 375	5.9	8	4.9	8	4.4	8	2.9	8	2.4	8		
17	24	71 845	5.8	8	4.9	8	4.4	8	2.9	8	2.4	8		
19	26	74 120	5.6	8	4.7	8	4.2	8	2.8	8	2.4	8		
17	23	74 968	5.6	8	4.6	8	4.2	8	2.8	8	2.3	8		
19	25	77 085	5.4	8	4.5	8	4.1	8	2.7	8	2.3	8		
19	24	80 297	5.2	8	4.3	8	3.9	8	2.6	8	2.2	8		
23	28	83 315	5.0	8	4.2	8	3.8	8	2.5	8	2.1	8		
19	23	83 788	5.0	8	4.2	8	3.7	8	2.5	8	2.1	7		
23	27	86 401	4.8	8	4.0	8	3.6	8	2.4	8	2.0	7		
24	28	86 938	4.8	8	4.0	8	3.6	8	2.4	8	2.0	7		
23	26	89 724	4.7	8	3.9	8	3.5	8	2.3	8	1.9	7		
24	27	90 158	4.6	8	3.9	8	3.5	8	2.3	8	1.9	7		
25	28	90 560	4.6	8	3.8	8	3.5	8	2.3	8	1.9	7		
17	19	90 751	4.6	8	3.8	8	3.5	8	2.3	8	1.9	7		
23	25	93 313	4.5	8	3.7	8	3.4	8	2.2	8	1.9	7		
24	26	93 625	4.5	8	3.7	8	3.3	8	2.2	8	1.9	7		
25	27	93 914	4.5	8	3.7	8	3.3	8	2.2	8	1.9	7		
26	28	94 183	4.4	8	3.7	8	3.3	8	2.2	8	1.9	7		
23	24	97 201	4.3	8	3.6	8	3.2	8	2.2	8	1.8	6		
24	25	97 370	4.3	8	3.6	8	3.2	8	2.1	8	1.8	6		
25	26	97 526	4.3	8	3.6	8	3.2	8	2.1	8	1.8	6		
26	27	97 671	4.3	8	3.6	8	3.2	8	2.1	8	1.8	6		
27	28	97 805	4.3	8	3.6	8	3.2	8	2.1	8	1.8	6		
23	23	101 428	4.1	8	3.4	8	3.1	8	2.1	7	1.7	6		
28	27	105 184	4.0	8	3.3	8	3.0	8	2.0	7	1.7	6		
27	26	105 329	4.0	8	3.3	8	3.0	8	2.0	7	1.7	6		
26	25	105 485	4.0	8	3.3	8	3.0	8	2.0	7	1.7	6		
25	24	105 654	4.0	8	3.3	8	3.0	8	2.0	7	1.6	6		
24	23	105 837	4.0	8	3.3	8	3.0	8	2.0	7	1.6	6		
28	26	109 230	3.8	8	3.2	8	2.9	8	1.9	7	1.6	6		
27	25	109 542	3.8	8	3.2	8	2.9	8	1.9	7	1.6	6		
26	24	109 880	3.8	8	3.2	8	2.9	8	1.9	7	1.6	6		
25	23	110 247	3.8	8	3.2	8	2.8	8	1.9	7	1.6	6		
19	17	113 360	3.7	8	3.1	8	2.8	8	1.8	7	1.5	5		
28	25	113 599	3.7	8	3.1	8	2.8	8	1.8	7	1.5	5		
27	24	114 106	3.7	8	3.1	8	2.7	8	1.8	7	1.5	5		
26	23	114 657	3.6	8	3.0	8	2.7	8	1.8	6	1.5	5		
28	24	118 332	3.5	8	2.9	8	2.7	8	1.8	6	1.5	5		
27	23	119 067	3.5	8	2.9	8	2.6	8	1.8	6	1.5	5		
23	19	122 781	3.4	8	2.8	8	2.6	8	1.7	6	1.4	5		
28	23	123 477	3.4	8	2.8	8	2.5	8	1.7	6	1.4	5		
24	19	128 119	3.3	8	2.7	8	2.4	8	1.6	6	1.4	5		
25	19	133 457	3.1	8	2.6	8	2.4	8	1.6	5	1.3	4		
23	17	137 226	3.0	8	2.5	8	2.3	8	1.5	5	1.3	4		
26	19	138 796	3.0	8	2.5	8	2.3	8	1.5	5	1.3	4		
24	17	143 192	2.9	8	2.4	8	2.2	8	1.5	5	1.2	4		
27	19	144 134	2.9	8	2.4	8	2.2	8	1.5	5	1.2	4		
25	17	149 158	2.8	8	2.3	8	2.1	8	1.4	5	1.2	4		
28	19	149 472	2.8	8	2.3	8	2.1	8	1.4	5	1.2	4		
26	17	155 124	2.7	8	2.2	8	2.0	7	1.3	5	1.1	4		
27	17	161 091	2.6	8	2.2	8	1.9	7	1.3	4	1.1	4		
28	17	167 057	2.5	8	2.1	7	1.9	7	1.3	4	1.0	3		

31222

**YIELD PRO 1225 - 1625
110 Cell Wheel**

403-123D 2200-2700 seeds/lb
 403-124D 2700-3200 seeds/lb
 403-125D 3100-3800 seeds/lb
 403-126D 3600-4000 seeds/lb

SOYBEAN
 Precision Meter
 Ezee Glide Plus Required

Transmission Combinations		Seed Population (seeds/acre)	Twin Row 30in 15in Rows		Twin Row 36in		20in Rows		30in Rows		36in Rows	
Driving	Driven		Seed Spacing (inches)	Maximum Planting Speed (mph)	Seed Spacing (inches)	Maximum Planting Speed (mph)	Seed Spacing (inches)	Maximum Planting Speed (mph)	Seed Spacing (inches)	Maximum Planting Speed (mph)	Seed Spacing (inches)	Maximum Planting Speed (mph)
17	28	123 162	3.4	8	2.8	8	2.5	8	1.7	6	1.4	5
17	27	127 724	3.3	8	2.7	8	2.5	8	1.6	6	1.4	5
17	26	132 636	3.2	8	2.6	8	2.4	8	1.6	6	1.3	5
19	28	137 652	3.0	8	2.5	8	2.3	8	1.5	5	1.3	4
17	25	137 941	3.0	8	2.5	8	2.3	8	1.5	5	1.3	4
19	27	142 750	2.9	8	2.4	8	2.2	8	1.5	5	1.2	4
17	24	143 689	2.9	8	2.4	8	2.2	8	1.5	5	1.2	4
19	26	148 240	2.8	8	2.4	8	2.1	8	1.4	5	1.2	4
17	23	149 936	2.8	8	2.3	8	2.1	8	1.4	5	1.2	4
19	25	154 170	2.7	8	2.3	8	2.0	7	1.4	5	1.1	4
19	24	160 594	2.6	8	2.2	8	2.0	7	1.3	4	1.1	4
23	28	166 631	2.5	8	2.1	8	1.9	7	1.3	4	1.0	4
19	23	167 576	2.5	8	2.1	7	1.9	7	1.2	4	1.0	3
23	27	172 803	2.4	8	2.0	7	1.8	6	1.2	4	1.0	3
24	28	173 876	2.4	8	2.0	7	1.8	6	1.2	4	1.0	3
23	26	179 449	2.3	8	1.9	7	1.7	6	1.2	4	1.0	3
24	27	180 316	2.3	8	1.9	7	1.7	6	1.2	4	1.0	3
25	28	181 121	2.3	8	1.9	7	1.7	6	1.2	4	1.0	3
17	19	181 502	2.3	8	1.9	7	1.7	6	1.2	4	1.0	3
23	25	186 627	2.2	8	1.9	7	1.7	6	1.1	4	0.9	3
24	26	187 251	2.2	8	1.9	7	1.7	6	1.1	4	0.9	3
25	27	187 829	2.2	8	1.9	7	1.7	6	1.1	4	0.9	3
26	28	188 365	2.2	8	1.9	7	1.7	6	1.1	4	0.9	3
23	24	194 403	2.2	8	1.8	6	1.6	6	1.1	4	0.9	3
24	25	194 741	2.1	8	1.8	6	1.6	6	1.1	4	0.9	3
25	26	195 053	2.1	8	1.8	6	1.6	6	1.1	4	0.9	3
26	27	195 342	2.1	8	1.8	6	1.6	6	1.1	4	0.9	3
27	28	195 610	2.1	8	1.8	6	1.6	6	1.1	4	0.9	3
23	23	202 855	2.1	7	1.7	6	1.5	5	1.0	3	0.9	3
28	27	210 368	2.0	7	1.7	6	1.5	5	1.0	3	0.8	3
27	26	210 657	2.0	7	1.7	6	1.5	5	1.0	3	0.8	3
26	25	210 969	2.0	7	1.7	6	1.5	5	1.0	3	0.8	3
25	24	211 307	2.0	7	1.6	6	1.5	5	1.0	3	0.8	3
24	23	211 675	2.0	7	1.6	6	1.5	5	1.0	3	0.8	3
28	26	218 459	1.9	7	1.6	6	1.4	5	1.0	3	0.8	3
27	25	219 084	1.9	7	1.6	6	1.4	5	1.0	3	0.8	3
26	24	219 760	1.9	7	1.6	6	1.4	5	1.0	3	0.8	3
25	23	220 495	1.9	7	1.6	6	1.4	5	0.9	3	0.8	3
19	17	226 720	1.8	7	1.5	5	1.4	5	0.9	3	0.8	2
28	25	227 198	1.8	7	1.5	5	1.4	5	0.9	3	0.8	2
27	24	228 212	1.8	7	1.5	5	1.4	5	0.9	3	0.8	2
26	23	229 314	1.8	6	1.5	5	1.4	5	0.9	3	0.8	2
28	24	236 664	1.8	6	1.5	5	1.3	5	0.9	3	0.7	2
27	23	238 134	1.8	6	1.5	5	1.3	5	0.9	3	0.7	2
23	19	245 561	1.7	6	1.4	5	1.3	4	0.9	3	0.7	2
28	23	246 954	1.7	6	1.4	5	1.3	4	0.8	3	0.7	2
24	19	256 238	1.6	6	1.4	5	1.2	4	0.8	3	0.7	2
25	19	266 915	1.6	5	1.3	4	1.2	4	0.8	2	0.7	2
23	17	274 451	1.5	5	1.3	4	1.1	4	0.8	2	0.6	2
26	19	277 591	1.5	5	1.3	4	1.1	4	0.8	2	0.6	2
24	17	286 384	1.5	5	1.2	4	1.1	4	0.7	2	0.6	2
27	19	288 268	1.5	5	1.2	4	1.1	4	0.7	2	0.6	2
25	17	298 316	1.4	5	1.2	4	1.1	4	0.7	2	0.6	2
28	19	298 944	1.4	5	1.2	4	1.0	4	0.7	2	0.6	2
26	17	310 249	1.3	5	1.1	4	1.0	3	0.7	2	0.6	2
27	17	322 182	1.3	4	1.1	4	1.0	3	0.6	2	0.5	2
28	17	334 114	1.3	4	1.0	3	0.9	3	0.6	2	0.5	1

31223

Finger Meter Planting

The basic seed rate for finger meters is determined by the meter finger count (6 or 12), and the drive setup.

Finger meters have an additional adjustment for optimum results:

- Meter brush (see page 30)
- Sprocket Indexing for twin-row (see page 46)

NOTICE

Recommended speed is 4½ to 5 miles per hour.

Excess speeds are known to deteriorate seed spacing control and depth control.

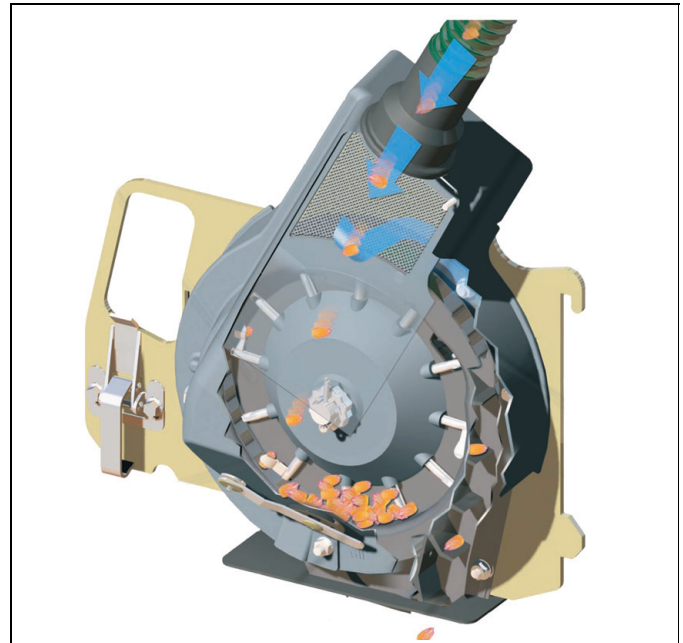


Figure 9
Finger Pickup Meter

29343

Reading a Finger Meter Rate Chart Hydraulic or Ground Drive

1. Consult the chart for your:
row spacing and
meter type (finger count).
2. Find the desired seed population or seed spacing.
3. Note the range of meter rpms suitable for that population. These rpm ranges govern the suitable planting speeds.

NOTICE

The shaded rpms are the recommended rpms for most consistent results with flat kernel corn.

For round kernel corn, use either shaded or un-shaded values.

Blank table cells represent rates/speeds that are not recommended regardless of seed type.

Import as: /files/manual/docs/gp/401-263b/charts/eps/6finger30inrowslow.eps

YP 1225 - 1625

**30in Rows
6 Finger Meter**

ATTENTION !!! (For all seed corn types)

Optimum meter speed is 45 to 75 RPM (shaded areas)

For Flat Corn optimum meter speed is (Shaded area)

Seed Population (seeds/acre)	Seed Spacing (inches)	Ground Speed					4.5 (ft/min)
		7 mph Meter (rpm)	6.5 mph Meter (rpm)	6 mph Meter (rpm)	5.5 mph Meter (rpm)	5 mph Meter (rpm)	
13 436	15.6		74	68	62	57	
13 933	15.0			70	65	59	
14 469	14.5			73	67	61	
15 017	13.9				70	63	
15 048	13.9				70	63	
15 573	13.4				72	66	
15 675	13.3				73	66	
16 172	12.9				75	68	
16 357	12.8					69	
16 819	12.4					71	
17 519	11.9					74	
18 178	11.5						
18 281	11.4						
18 851	11.1						

4. Each chart page shows the Range sprockets at the upper left.
5. The Transmission sprockets are in the table, found to the left of the Population.
6. Configure the sprockets at both planter contact drives.
7. Use the recommended driving speed if possible.

Finger Meter Adjustments

The finger pick up meter has an adjustable brush, and alternate inserts are available for the backing plate. The factory-installed insert is the “A” insert.

Optimum planting speed is 4½ to 5 mph (7 to 8 kph). Excess speed results in poor spacing performance due to seed tube bounce. Excess speed may also result in improper depth control due to row unit bounce.

Finger Meter Brush Adjustment

The brush reduces or eliminates “doubles” (delivering two seeds per finger), but if set too aggressively can cause “skips” (delivering no seed on some fingers). As needed, adjust for minimal doubles and skips.

Note: These instructions describe the current finger pick-up meter shipped with new Great Plains planters, which has an integrated adjustment lever for the brush. If you have the previous model meters, adjusted by screwdriver rather than lever, rely on counting detents to determine the setting. Not all have 9 detents.

Refer to Figure 10

The adjustable brush provides additional flexibility to accommodate a wide range of seed sizes. Use lever (L) to gently rotate the brush into position.

The settings range from 1 to 5 with detents at each half step, for a total of 9 detents. Although the numbers are molded into the meter housing, only “1” and “5” may be visible. To ensure consistency, rotate the lever fully counter-clockwise (1), and count detents as you advance it to the desired setting.

Use the general guidelines in the table below to adjust the brush position to your seed size and shape. The numbers listed correspond to the numbers printed on the outer housing of your meter. If there is a decal on your meter, its units are seed size in pounds per 80,000 seed bag. The table below includes seeds per kg and pound.

6 Finger Meter						
ATTENTION !!! (For all seed corn types) Great Plains always recommends test stand calibration of the finger meter to the population.						
For Round Corn optimum meter speed is 45 to 75 RPM (Shaded & Non-shaded areas)				For Flat Corn (Shaded area)		
Range Sprockets		Driving = 30 Driven = 15	Seed	7 mph	6.5 mph	6 mph
Transmission Combinations	Population (seeds/acre)	Spacing (inches)	Meter (rpm)	Meter (rpm)	Meter (rpm)	
Driver	Driven					
17	28	13 436	15.6		74	68
17	27	13 933	15.0			70
17	26	14 469	14.5			73
19	28	15 017	13.9			
17	25	15 048	13.9			
19	27	15 573	13.4			
17	24	15 675	13.3			
19	26	16 172	12.9			
17	23	16 357	12.8			

Always pay attention to your planter monitor. Compare actual seed usage to your estimates.

Fine-tune your planter by thoroughly checking all key components including: seed tubes, chains, sprockets, tire pressure, seed monitor, double disk openers, gauge wheels, seed firmer, closing wheels, parallel arms, and the row unit itself.

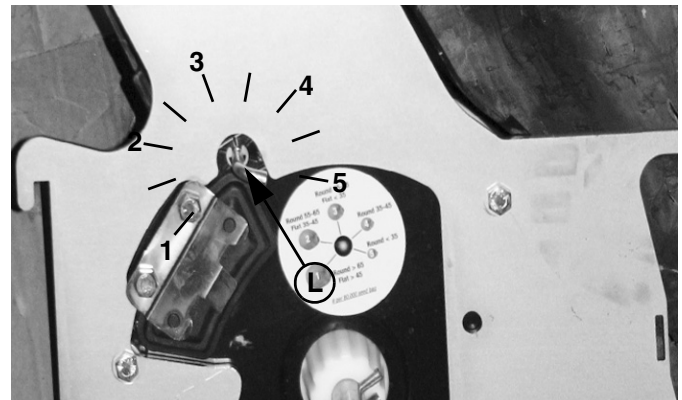


Figure 10
Finger Meter Brush Lever

25276

Bag Weight (80,000 seeds)	Seeds Per Pound	Brush Setting	Seeds Per Kilogram	Bag Weight (80,000 seeds)
Rounds				
65 lbs	1230 or less	1	2710 or less	29.5 kg
65 to 55 lbs	1230 to 1450	2	2710 to 3195	29.5 to 24.9 kg
55 to 45 lbs	1450 to 1780	3	3195 to 3925	24.9 to 20.4 kg
45 to 35 lbs	1780 to 2300	4	3925 to 5070	20.4 to 15.9 kg
35 lbs	2300 or more	5	5070 or more	15.9 kg
Flats				
45 lbs	1780 or less	1	3925 or less	20.4 kg
45 to 35 lbs	1780 to 2300	2	3925 to 5070	20.4 to 15.9 kg
35 lbs	2300 or more	3	5070 or more	15.9 kg

Finger Meter Inserts

Refer to Figure 11

The backing plate is equipped with an “A” insert ①. In tests, this insert provides the best performance in most seed sizes. However, there are two alternative inserts that can be used. Before changing to a different insert, please consult with a Great Plains service representative for a recommendation.

The insert type is molded into the back. Changing inserts requires meter disassembly, and is not further described in this manual.

NOTICE

Be cautious in using seed treatments, additives, and other chemicals when possible. They can cause meter performance problems and premature wear to meter parts. See “Appendix A - Seed Lubricants” on page 58.

Always store meters in a dry, secure place, with brush in between two meter fingers. Moisture, temperature, nest-building insects and rodents can create problems.

Always pay attention to your seed monitor and operating manual. Monitor the amount of seed you are planting compared to your expectations. Always investigate abnormalities!

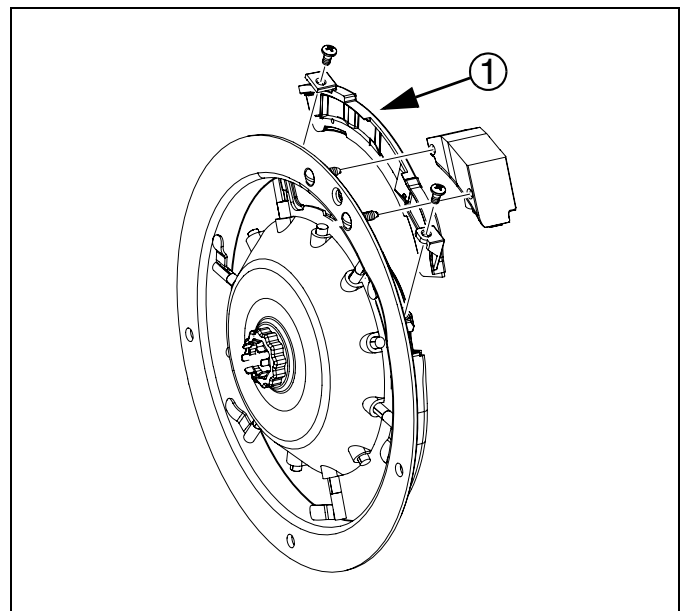


Figure 11
Finger Meter Insert

22908

Finger Meter RPM Limits

6 Finger Meter

Seed Lubricant Required

	Planting Speed (mph)	Maximum Population (seeds/acre)	Minimum Population (seeds/acre)
Twin Row 30in	4.0	50 490	26 730
15in Rows	4.5	44 880	23 760
Max Min	5.0	40 392	21 384
rpm rpm	5.5	36 720	19 440
85 45	6.0	33 660	17 820
	6.5	31 071	16 449

Twin Row 36in	4.0	42 075	22 275
Max Min	4.5	37 400	19 800
rpm rpm	5.0	33 660	17 820
85 45	5.5	30 600	16 200
	6.0	28 050	14 850
	6.5	25 892	13 708

Twin Row 38in	4.0	39 861	21 103
Max Min	4.5	35 432	18 758
rpm rpm	5.0	31 888	16 882
85 45	5.5	28 989	15 347
	6.0	26 574	14 068
	6.5	24 530	12 986

Twin Row 40in	4.0	37 868	20 048
20in Rows	4.5	33 660	17 820
Max Min	5.0	30 294	16 038
rpm rpm	5.5	27 540	14 580
85 45	6.0	25 245	13 365
	6.5	23 303	12 337

	Planting Speed (mph)	Maximum Population (seeds/acre)	Minimum Population (seeds/acre)
22in Rows	4.0	34 425	18 225
Max Min	4.5	30 600	16 200
rpm rpm	5.0	27 540	14 580
85 45	5.5	25 036	13 255
	6.0	22 950	12 150
	6.5	21 185	11 215

30in Rows	4.0	25 245	13 365
Max Min	4.5	22 440	11 880
rpm rpm	5.0	20 196	10 692
85 45	5.5	18 360	9 720
	6.0	16 830	8 910
	6.5	15 535	8 225

36in Rows	4.0	21 038	11 138
Max Min	4.5	18 700	9 900
rpm rpm	5.0	16 830	8 910
85 45	5.5	15 300	8 100
	6.0	14 025	7 425
	6.5	12 946	6 854

38in Rows	4.0	19 930	10 551
Max Min	4.5	17 716	9 379
rpm rpm	5.0	15 944	8 441
85 45	5.5	14 495	7 674
	6.0	13 287	7 034
	6.5	12 265	6 493

40in Rows	4.0	18 934	10 024
Max Min	4.5	16 830	8 910
rpm rpm	5.0	15 147	8 019
85 45	5.5	13 770	7 290
	6.0	12 623	6 683
	6.5	11 652	6 168

32819A

Finger Meter RPM Limits

12 Finger Meter

Seed Lubricant Required

	Planting Speed (mph)	Maximum Population (seeds/acre)	Minimum Population (seeds/acre)
Twin Row 30in	4.0	89 100	53 460
15in Rows	4.5	79 200	47 520
Max Min	5.0	71 280	42 768
rpm rpm	5.5	64 800	38 880
75 45	6.0	59 400	35 640
	6.5	54 831	32 898

Twin Row 36in	4.0	74 250	44 550
Max Min	4.5	66 000	39 600
rpm rpm	5.0	59 400	35 640
75 45	5.5	54 000	32 400
	6.0	49 500	29 700
	6.5	45 692	27 415

Twin Row 38in	4.0	70 342	42 205
Max Min	4.5	62 526	37 516
rpm rpm	5.0	56 274	33 764
75 45	5.5	51 158	30 695
	6.0	46 895	28 137
	6.5	43 287	25 972

Twin Row 40in	4.0	66 825	40 095
20in Rows	4.5	59 400	35 640
Max Min	5.0	53 460	32 076
rpm rpm	5.5	48 600	29 160
75 45	6.0	44 550	26 730
	6.5	41 123	24 674

	Planting Speed (mph)	Maximum Population (seeds/acre)	Minimum Population (seeds/acre)
22in Rows	4.0	60 750	36 450
Max Min	4.5	54 000	32 400
rpm rpm	5.0	48 600	29 160
75 45	5.5	44 182	26 509
	6.0	40 500	24 300
	6.5	37 385	22 431

30in Rows	4.0	44 550	26 730
Max Min	4.5	39 600	23 760
rpm rpm	5.0	35 640	21 384
75 45	5.5	32 400	19 440
	6.0	29 700	17 820
	6.5	27 415	16 449

36in Rows	4.0	37 125	22 275
Max Min	4.5	33 000	19 800
rpm rpm	5.0	29 700	17 820
75 45	5.5	27 000	16 200
	6.0	24 750	14 850
	6.5	22 846	13 708

38in Rows	4.0	35 171	21 103
Max Min	4.5	31 263	18 758
rpm rpm	5.0	28 137	16 882
75 45	5.5	25 579	15 347
	6.0	23 447	14 068
	6.5	21 644	12 986

40in Rows	4.0	33 413	20 048
Max Min	4.5	29 700	17 820
rpm rpm	5.0	26 730	16 038
75 45	5.5	24 300	14 580
	6.0	22 275	13 365
	6.5	20 562	12 337

32819B

Ground Drive Finger Meter Charts

YP 1225 - 1625

20in Rows

6 Finger Meter

ATTENTION !!! (For all seed corn types)

Great Plains always recommends test stand calibration of the finger meter to the population and ground speed desired .

For Round Corn optimum meter speed is 45 to 75 RPM
(Shaded & Non-shaded areas)

For Flat Corn optimum meter speed is 60 to 75 RPM
(Shaded area)

Range Sprockets		Driving = 30 Driven = 20		Ground Speed							
Transmission Combinations		Seed Population	Seed Spacing	7 mph	6.5 mph	6 mph	5.5 mph	5 mph	4.5 mph	4 mph	3.5 mph
Driving	Driven	(seeds/acre)	(inches)	Meter (rpm)	Meter (rpm)	Meter (rpm)	Meter (rpm)	Meter (rpm)	Meter (rpm)	Meter (rpm)	Meter (rpm)
17	28	15 115	20.7	59	55	51	47				
17	27	15 675	20.0	62	57	53	48				
17	26	16 278	19.3	64	59	55	50	46			
19	28	16 894	18.6	66	62	57	52	47			
17	25	16 929	18.5	67	62	57	52	48			
19	27	17 519	17.9	69	64	59	54	49			
17	24	17 635	17.8	69	64	59	54	49	45		
19	26	18 193	17.2	71	66	61	56	51	46		
17	23	18 401	17.0	72	67	62	57	52	46		
19	25	18 921	16.6	74	69	64	58	53	48		
19	24	19 709	15.9		72	66	61	55	50		
23	28	20 450	15.3		75	69	63	57	52	46	
19	23	20 566	15.2		75	69	63	58	52	46	
23	27	21 208	14.8			71	65	60	54	48	
24	28	21 339	14.7			72	66	60	54	48	
23	26	22 023	14.2			74	68	62	56	49	
24	27	22 130	14.2			75	68	62	56	50	
25	28	22 228	14.1			75	69	62	56	50	
17	19	22 275	14.1			75	69	63	56	50	
23	25	22 904	13.7				71	64	58	51	45
24	26	22 981	13.6				71	64	58	52	45
25	27	23 052	13.6				71	65	58	52	45
26	28	23 118	13.6				71	65	58	52	45
23	24	23 859	13.1				74	67	60	54	47
24	25	23 900	13.1				74	67	60	54	47
25	26	23 938	13.1				74	67	60	54	47
26	27	23 974	13.1				74	67	61	54	47
27	28	24 007	13.1				74	67	61	54	47
23	23	24 896	12.6					70	63	56	49
28	27	25 818	12.1					72	65	58	51
27	26	25 853	12.1					73	65	58	51
26	25	25 892	12.1					73	65	58	51
25	24	25 933	12.1					73	65	58	51
24	23	25 978	12.1					73	66	58	51
28	26	26 811	11.7					75	68	60	53
27	25	26 888	11.7					75	68	60	53
26	24	26 971	11.6						68	61	53
25	23	27 061	11.6						68	61	53
19	17	27 825	11.3						70	62	55
28	25	27 883	11.2						70	63	55
27	24	28 008	11.2						71	63	55
26	23	28 143	11.1						71	63	55
28	24	29 045	10.8						73	65	57
27	23	29 226	10.7						74	66	57
23	19	30 137	10.4							68	59
28	23	30 308	10.3							68	60
24	19	31 447	10.0							71	62
25	19	32 758	9.6							74	64
23	17	33 683	9.3								66
26	19	34 068	9.2								67
24	17	35 147	8.9								69
27	19	35 378	8.9								69
25	17	36 612	8.6								72
28	19	36 689	8.5								72
26	17	38 076	8.2								75
27	17	39 540	7.9								
28	17	41 005	7.6								

31201

YP 1225 - 1625

**20in Rows
12 Finger Meter**

ATTENTION !!! (For all seed corn types)

Great Plains always recommends test stand calibration of the finger meter to the population and ground speed desired .

For Round Corn optimum meter speed is 45 to 75 RPM
(Shaded & Non-shaded areas)

For Flat Corn optimum meter speed is 60 to 75 RPM
(Shaded area)

Range Sprockets		Driving = 30 Driven = 30		Ground Speed								
Transmission Combinations		Seed Population	Seed Spacing	7 mph	6.5 mph	6 mph	5.5 mph	5 mph	4.5 mph	4 mph	3.5 mph	
Driving	Driven	(seeds/acre)	(inches)	Meter (rpm)	Meter (rpm)	Meter (rpm)	Meter (rpm)	Meter (rpm)	Meter (rpm)	Meter (rpm)	Meter (rpm)	
17	28	20 154	15.6									
17	27	20 900	15.0									
17	26	21 704	14.5									
19	28	22 525	13.9									
17	25	22 572	13.9									
19	27	23 359	13.4	46								
17	24	23 513	13.3	46								
19	26	24 257	12.9	48								
17	23	24 535	12.8	48	45							
19	25	25 228	12.4	50	46							
19	24	26 279	11.9	52	48							
23	28	27 267	11.5	54	50	46						
19	23	27 422	11.4	54	50	46						
23	27	28 277	11.1	56	52	48						
24	28	28 452	11.0	56	52	48						
23	26	29 364	10.7	58	54	49	45					
24	27	29 506	10.6	58	54	50	46					
25	28	29 638	10.6	58	54	50	46					
17	19	29 700	10.6	58	54	50	46					
23	25	30 539	10.3	60	56	51	47					
24	26	30 641	10.2	60	56	52	47					
25	27	30 736	10.2	60	56	52	47					
26	28	30 823	10.2	61	56	52	48					
23	24	31 811	9.9	62	58	54	49	45				
24	25	31 867	9.8	63	58	54	49	45				
25	26	31 918	9.8	63	58	54	49	45				
26	27	31 965	9.8	63	58	54	49	45				
27	28	32 009	9.8	63	58	54	49	45				
23	23	33 194	9.4	65	61	56	51	47				
28	27	34 424	9.1	68	63	58	53	48				
27	26	34 471	9.1	68	63	58	53	48				
26	25	34 522	9.1	68	63	58	53	48				
25	24	34 578	9.1	68	63	58	53	49				
24	23	34 638	9.1	68	63	58	53	49				
28	26	35 748	8.8	70	65	60	55	50	45			
27	25	35 850	8.7	70	65	60	55	50	45			
26	24	35 961	8.7	71	66	61	55	50	45			
25	23	36 081	8.7	71	66	61	56	51	46			
19	17	37 100	8.5	73	68	62	57	52	47			
28	25	37 178	8.4	73	68	63	57	52	47			
27	24	37 344	8.4	73	68	63	58	52	47			
26	23	37 524	8.4	74	68	63	58	53	47			
28	24	38 727	8.1		71	65	60	54	49			
27	23	38 967	8.0		71	66	60	55	49			
23	19	40 183	7.8		73	68	62	56	51	45		
28	23	40 411	7.8		74	68	62	57	51	45		
24	19	41 930	7.5			71	65	59	53	47		
25	19	43 677	7.2			74	67	61	55	49		
23	17	44 910	7.0				69	63	57	50		
26	19	45 424	6.9				70	64	57	51	45	
24	17	46 863	6.7				72	66	59	53	46	
27	19	47 171	6.6				73	66	60	53	46	
25	17	48 815	6.4				75	68	62	55	48	
28	19	48 918	6.4	Not Recommended			75	69	62	55	48	
26	17	50 768	6.2					71	64	57	50	
27	17	52 721	5.9					74	67	59	52	
28	17	54 673	5.7						69	61	54	

31202

YP 1225 - 1625

**Twin Row 30in
6 Finger Meter**

Low Range

ATTENTION !!! (For all seed corn types)

Great Plains always recommends test stand calibration of the finger meter to the population and ground speed desired .

For Round Corn optimum meter speed is 45 to 85 RPM
(Shaded & Non-shaded areas)

For Flat Corn optimum meter speed is 60 to 85 RPM
(Shaded area)

Range Sprockets		Driving = 30	Driven = 30	Ground Speed							
Transmission Combinations		Seed Population (seeds/acre)	Seed Spacing (inches)	7 mph Meter (rpm)	6.5 mph Meter (rpm)	6 mph Meter (rpm)	5.5 mph Meter (rpm)	5 mph Meter (rpm)	4.5 mph Meter (rpm)	4 mph Meter (rpm)	3.5 mph Meter (rpm)
Driving	Driven										
17	28	13 436	31.1								
17	27	13 933	30.0								
17	26	14 469	28.9								
19	28	15 017	27.8								
17	25	15 048	27.8								
19	27	15 573	26.9	46							
17	24	15 675	26.7	46							
19	26	16 172	25.9	48							
17	23	16 357	25.6	48	45						
19	25	16 819	24.9	50	46						
19	24	17 519	23.9	52	48						
23	28	18 178	23.0	54	50	46					
19	23	18 281	22.9	54	50	46					
23	27	18 851	22.2	56	52	48					
24	28	18 968	22.0	56	52	48					
23	26	19 576	21.4	58	54	49	45				
24	27	19 671	21.3	58	54	50	46				
25	28	19 759	21.2	58	54	50	46				
17	19	19 800	21.1	58	54	50	46				
23	25	20 359	20.5	60	56	51	47				
24	26	20 427	20.5	60	56	52	47				
25	27	20 490	20.4	60	56	52	47				
26	28	20 549	20.4	61	56	52	48				
23	24	21 208	19.7	62	58	54	49	45			
24	25	21 244	19.7	63	58	54	49	45			
25	26	21 279	19.7	63	58	54	49	45			
26	27	21 310	19.6	63	58	54	49	45			
27	28	21 339	19.6	63	58	54	49	45			
23	23	22 130	18.9	65	61	56	51	47			
28	27	22 949	18.2	68	63	58	53	48			
27	26	22 981	18.2	68	63	58	53	48			
26	25	23 015	18.2	68	63	58	53	48			
25	24	23 052	18.1	68	63	58	53	49			
24	23	23 092	18.1	68	63	58	53	49			
28	26	23 832	17.5	70	65	60	55	50	45		
27	25	23 900	17.5	70	65	60	55	50	45		
26	24	23 974	17.4	71	66	61	55	50	45		
25	23	24 054	17.4	71	66	61	56	51	46		
19	17	24 733	16.9	73	68	62	57	52	47		
28	25	24 785	16.9	73	68	63	57	52	47		
27	24	24 896	16.8	73	68	63	58	52	47		
26	23	25 016	16.7	74	68	63	58	53	47		
28	24	25 818	16.2	76	71	65	60	54	49		
27	23	25 978	16.1	77	71	66	60	55	49		
23	19	26 789	15.6	79	73	68	62	56	51	45	
28	23	26 940	15.5	79	74	68	62	57	51	45	
24	19	27 953	15.0	82	76	71	65	59	53	47	
25	19	29 118	14.4		80	74	67	61	55	49	
23	17	29 940	14.0		82	76	69	63	57	50	
26	19	30 283	13.8		83	76	70	64	57	51	45
24	17	31 242	13.4		85	79	72	66	59	53	46
27	19	31 447	13.3			79	73	66	60	53	46
25	17	32 544	12.8			82	75	68	62	55	48
28	19	32 612	12.8			82	75	69	62	55	48
26	17	33 845	12.4			85	78	71	64	57	50
27	17	35 147	11.9	Not Recommended			81	74	67	59	52
28	17	36 449	11.5	Not Recommended			84	77	69	61	54

31203

YP 1225 - 1625

**Twin Row 30in
6 Finger Meter**

High Range

ATTENTION !!! (For all seed corn types)

Great Plains always recommends test stand calibration of the finger meter to the population and ground speed desired .

For Round Corn optimum meter speed is 45 to 85 RPM
(Shaded & Non-shaded areas)

For Flat Corn optimum meter speed is 60 to 85 RPM
(Shaded area)

Range		Seed		Ground Speed								
Sprockets		Driven = 20		7 mph	6.5 mph	6 mph	5.5 mph	5 mph	4.5 mph	4 mph	3.5 mph	
Transmission Combinations		Population	Spacing	Meter (rpm)	Meter (rpm)	Meter (rpm)	Meter (rpm)	Meter (rpm)	Meter (rpm)	Meter (rpm)	Meter (rpm)	
Driving	Driven	(seeds/acre)	(inches)									
17	28	20 154	20.7	59	55	51	47					
17	27	20 900	20.0	62	57	53	48					
17	26	21 704	19.3	64	59	55	50	46				
19	28	22 525	18.6	66	62	57	52	47				
17	25	22 572	18.5	67	62	57	52	48				
19	27	23 359	17.9	69	64	59	54	49				
17	24	23 513	17.8	69	64	59	54	49	45			
19	26	24 257	17.2	71	66	61	56	51	46			
17	23	24 535	17.0	72	67	62	57	52	46			
19	25	25 228	16.6	74	69	64	58	53	48			
19	24	26 279	15.9	77	72	66	61	55	50			
23	28	27 267	15.3	80	75	69	63	57	52	46		
19	23	27 422	15.2	81	75	69	63	58	52	46		
23	27	28 277	14.8	83	77	71	65	60	54	48		
24	28	28 452	14.7	84	78	72	66	60	54	48		
23	26	29 364	14.2		80	74	68	62	56	49		
24	27	29 506	14.2		81	75	68	62	56	50		
25	28	29 638	14.1		81	75	69	62	56	50		
17	19	29 700	14.1		81	75	69	63	56	50		
23	25	30 539	13.7		84	77	71	64	58	51	45	
24	26	30 641	13.6		84	77	71	64	58	52	45	
25	27	30 736	13.6		84	78	71	65	58	52	45	
26	28	30 823	13.6		84	78	71	65	58	52	45	
23	24	31 811	13.1			80	74	67	60	54	47	
24	25	31 867	13.1			80	74	67	60	54	47	
25	26	31 918	13.1			81	74	67	60	54	47	
26	27	31 965	13.1			81	74	67	61	54	47	
27	28	32 009	13.1			81	74	67	61	54	47	
23	23	33 194	12.6			84	77	70	63	56	49	
28	27	34 424	12.1				80	72	65	58	51	
27	26	34 471	12.1				80	73	65	58	51	
26	25	34 522	12.1				80	73	65	58	51	
25	24	34 578	12.1				80	73	65	58	51	
24	23	34 638	12.1				80	73	66	58	51	
28	26	35 748	11.7				83	75	68	60	53	
27	25	35 850	11.7				83	75	68	60	53	
26	24	35 961	11.6				83	76	68	61	53	
25	23	36 081	11.6				84	76	68	61	53	
19	17	37 100	11.3					78	70	62	55	
28	25	37 178	11.2					78	70	63	55	
27	24	37 344	11.2					79	71	63	55	
26	23	37 524	11.1					79	71	63	55	
28	24	38 727	10.8					81	73	65	57	
27	23	38 967	10.7					82	74	66	57	
23	19	40 183	10.4					85	76	68	59	
28	23	40 411	10.3					85	77	68	60	
24	19	41 930	10.0						79	71	62	
25	19	43 677	9.6						83	74	64	
23	17	44 910	9.3						85	76	66	
26	19	45 424	9.2							76	67	
24	17	46 863	8.9							79	69	
27	19	47 171	8.9							79	69	
25	17	48 815	8.6							82	72	
28	19	48 918	8.5							82	72	
26	17	50 768	8.2							85	75	
27	17	52 721	7.9								78	
28	17	54 673	7.6								81	

31204

YP 1225 - 1625

**Twin Row 30in
12 Finger Meter**

High Range

ATTENTION !!! (For all seed corn types)

Great Plains always recommends test stand calibration of the finger meter to the population and ground speed desired .

For Round Corn optimum meter speed is 45 to 75 RPM

For Flat Corn optimum meter speed is 60 to 75 RPM

(Shaded & Non-shaded areas)

(Shaded area)

Range Sprockets		Driving = 15 Driven = 20		Ground Speed							
Transmission Combinations		Seed Population (seeds/acre)	Seed Spacing (inches)	7 mph Meter (rpm)	6.5 mph Meter (rpm)	6 mph Meter (rpm)	5.5 mph Meter (rpm)	5 mph Meter (rpm)	4.5 mph Meter (rpm)	4 mph Meter (rpm)	3.5 mph Meter (rpm)
17	28	20 154	20.7								
17	27	20 900	20.0								
17	26	21 704	19.3								
19	28	22 525	18.6								
17	25	22 572	18.5								
19	27	23 359	17.9								
17	24	23 513	17.8								
19	26	24 257	17.2								
17	23	24 535	17.0								
19	25	25 228	16.6								
19	24	26 279	15.9								
23	28	27 267	15.3								
19	23	27 422	15.2								
23	27	28 277	14.8								
24	28	28 452	14.7								
23	26	29 364	14.2								
24	27	29 506	14.2								
25	28	29 638	14.1								
17	19	29 700	14.1								
23	25	30 539	13.7	45							
24	26	30 641	13.6	45							
25	27	30 736	13.6	45							
26	28	30 823	13.6	45							
23	24	31 811	13.1	47							
24	25	31 867	13.1	47							
25	26	31 918	13.1	47							
26	27	31 965	13.1	47							
27	28	32 009	13.1	47							
23	23	33 194	12.6	49	45						
28	27	34 424	12.1	51	47						
27	26	34 471	12.1	51	47						
26	25	34 522	12.1	51	47						
25	24	34 578	12.1	51	47						
24	23	34 638	12.1	51	47						
28	26	35 748	11.7	53	49	45					
27	25	35 850	11.7	53	49	45					
26	24	35 961	11.6	53	49	45					
25	23	36 081	11.6	53	49	46					
19	17	37 100	11.3	55	51	47					
28	25	37 178	11.2	55	51	47					
27	24	37 344	11.2	55	51	47					
26	23	37 524	11.1	55	51	47					
28	24	38 727	10.8	57	53	49	45				
27	23	38 967	10.7	57	53	49	45				
23	19	40 183	10.4	59	55	51	47				
28	23	40 411	10.3	60	55	51	47				
24	19	41 930	10.0	62	57	53	49				
25	19	43 677	9.6	64	60	55	51	46			
23	17	44 910	9.3	66	61	57	52	47			
26	19	45 424	9.2	67	62	57	53	48			
24	17	46 863	8.9	69	64	59	54	49			
27	19	47 171	8.9	69	65	60	55	50	45		
25	17	48 815	8.6	72	67	62	56	51	46		
28	19	48 918	8.5	72	67	62	57	51	46		
26	17	50 768	8.2	75	69	64	59	53	48		
27	17	52 721	7.9		72	67	61	55	50		
28	17	54 673	7.6		75	69	63	58	52	46	

Not Recommended

31205

YP 1225 - 1625

**30in Rows
6 Finger Meter**

Low Range

ATTENTION !!! (For all seed corn types)

Great Plains always recommends test stand calibration of the finger meter to the population and ground speed desired .

For Round Corn optimum meter speed is 45 to 75 RPM
(Shaded & Non-shaded areas)

For Flat Corn optimum meter speed is 60 to 75 RPM
(Shaded area)

Range Sprockets		Seed		Ground Speed								
Transmission Combinations		Population	Spacing	7 mph	6.5 mph	6 mph	5.5 mph	5 mph	4.5 mph	4 mph	3.5 mph	
Driving	Driven	(seeds/acre)	(inches)	Meter (rpm)	Meter (rpm)	Meter (rpm)	Meter (rpm)	Meter (rpm)	Meter (rpm)	Meter (rpm)	Meter (rpm)	
					74	68	62	57	51	45		
17	28	13 436	15.6			70	65	59	53	47		
17	27	13 933	15.0			73	67	61	55	49		
17	26	14 469	14.5				70	63	57	51		
19	28	15 017	13.9				70	63	57	51		
17	25	15 048	13.9				72	66	59	52	46	
19	27	15 573	13.4				73	66	59	53	46	
17	24	15 675	13.3				75	68	61	54	48	
19	26	16 172	12.9					69	62	55	48	
17	23	16 357	12.8					71	64	57	50	
19	25	16 819	12.4					74	66	59	52	
19	24	17 519	11.9						69	61	54	
23	28	18 178	11.5						71	63	56	
19	23	18 281	11.4						72	64	56	
23	27	18 851	11.1						74	66	58	
24	28	18 968	11.0						75	66	58	
23	26	19 576	10.7							67	58	
24	27	19 671	10.6							67	58	
25	28	19 759	10.6							67	58	
17	19	19 800	10.6							69	60	
23	25	20 359	10.3							69	60	
24	26	20 427	10.2							69	60	
25	27	20 490	10.2							69	60	
26	28	20 549	10.2							69	61	
23	24	21 208	9.9							71	62	
24	25	21 244	9.8							72	63	
25	26	21 279	9.8							72	63	
26	27	21 310	9.8							72	63	
27	28	21 339	9.8							72	63	
23	23	22 130	9.4							75	65	
28	27	22 949	9.1								68	
27	26	22 981	9.1								68	
26	25	23 015	9.1								68	
25	24	23 052	9.1								68	
24	23	23 092	9.1	Not Recommended								68
28	26	23 832	8.8								70	
27	25	23 900	8.7								70	
26	24	23 974	8.7								71	
25	23	24 054	8.7								71	
19	17	24 733	8.5								73	
28	25	24 785	8.4								73	
27	24	24 896	8.4								73	
26	23	25 016	8.4								74	
28	24	25 818	8.1									
27	23	25 978	8.0									
23	19	26 789	7.8									
28	23	26 940	7.8									
24	19	27 953	7.5									
25	19	29 118	7.2									
23	17	29 940	7.0									
26	19	30 283	6.9									
24	17	31 242	6.7									
27	19	31 447	6.6									
25	17	32 544	6.4									
28	19	32 612	6.4									
26	17	33 845	6.2									
27	17	35 147	5.9									
28	17	36 449	5.7									

31206

YP 1225 - 1625

**30in Rows
12 Finger Meter**

Low Range

ATTENTION !!! (For all seed corn types)

Great Plains always recommends test stand calibration of the finger meter to the population and ground speed desired .

For Round Corn optimum meter speed is 45 to 75 RPM
(Shaded & Non-shaded areas)

For Flat Corn optimum meter speed is 60 to 75 RPM
(Shaded area)

Range Sprockets		Driving = 30 Driven = 30		Ground Speed							
Transmission Combinations		Seed Population (seeds/acre)	Seed Spacing (inches)	7 mph Meter (rpm)	6.5 mph Meter (rpm)	6 mph Meter (rpm)	5.5 mph Meter (rpm)	5 mph Meter (rpm)	4.5 mph Meter (rpm)	4 mph Meter (rpm)	3.5 mph Meter (rpm)
Driving	Driven										
17	28	13 436	15.6								
17	27	13 933	15.0								
17	26	14 469	14.5								
19	28	15 017	13.9								
17	25	15 048	13.9								
19	27	15 573	13.4	46							
17	24	15 675	13.3	46							
19	26	16 172	12.9	48							
17	23	16 357	12.8	48	45						
19	25	16 819	12.4	50	46						
19	24	17 519	11.9	52	48						
23	28	18 178	11.5	54	50	46					
19	23	18 281	11.4	54	50	46					
23	27	18 851	11.1	56	52	48					
24	28	18 968	11.0	56	52	48					
23	26	19 576	10.7	58	54	49	45				
24	27	19 671	10.6	58	54	50	46				
25	28	19 759	10.6	58	54	50	46				
17	19	19 800	10.6	58	54	50	46				
23	25	20 359	10.3	60	56	51	47				
24	26	20 427	10.2	60	56	52	47				
25	27	20 490	10.2	60	56	52	47				
26	28	20 549	10.2	61	56	52	48				
23	24	21 208	9.9	62	58	54	49	45			
24	25	21 244	9.8	63	58	54	49	45			
25	26	21 279	9.8	63	58	54	49	45			
26	27	21 310	9.8	63	58	54	49	45			
27	28	21 339	9.8	63	58	54	49	45			
23	23	22 130	9.4	65	61	56	51	47			
28	27	22 949	9.1	68	63	58	53	48			
27	26	22 981	9.1	68	63	58	53	48			
26	25	23 015	9.1	68	63	58	53	48			
25	24	23 052	9.1	68	63	58	53	49			
24	23	23 092	9.1	68	63	58	53	49			
28	26	23 832	8.8	70	65	60	55	50	45		
27	25	23 900	8.7	70	65	60	55	50	45		
26	24	23 974	8.7	71	66	61	55	50	45		
25	23	24 054	8.7	71	66	61	56	51	46		
19	17	24 733	8.5	73	68	62	57	52	47		
28	25	24 785	8.4	73	68	63	57	52	47		
27	24	24 896	8.4	73	68	63	58	52	47		
26	23	25 016	8.4	74	68	63	58	53	47		
28	24	25 818	8.1		71	65	60	54	49		
27	23	25 978	8.0		71	66	60	55	49		
23	19	26 789	7.8		73	68	62	56	51	45	
28	23	26 940	7.8		74	68	62	57	51	45	
24	19	27 953	7.5			71	65	59	53	47	
25	19	29 118	7.2			74	67	61	55	49	
23	17	29 940	7.0				69	63	57	50	
26	19	30 283	6.9				70	64	57	51	45
24	17	31 242	6.7				72	66	59	53	46
27	19	31 447	6.6				73	66	60	53	46
25	17	32 544	6.4				75	68	62	55	48
28	19	32 612	6.4				75	69	62	55	48
26	17	33 845	6.2	Not Recommended				71	64	57	50
27	17	35 147	5.9	Not Recommended				74	67	59	52
28	17	36 449	5.7	Not Recommended					69	61	54

31207

YP 1225 - 1625

**30in Rows
12 Finger Meter**

High Range

ATTENTION !!! (For all seed corn types)

Great Plains always recommends test stand calibration of the finger meter to the population and ground speed desired .

For Round Corn optimum meter speed is 45 to 75 RPM

For Flat Corn optimum meter speed is 60 to 75 RPM

(Shaded & Non-shaded areas)

(Shaded area)

Range Sprockets		Driving = 30 Driven = 20		Ground Speed							
Transmission Combinations		Seed Population	Seed Spacing	7 mph	6.5 mph	6 mph	5.5 mph	5 mph	4.5 mph	4 mph	3.5 mph
Driving	Driven	(seeds/acre)	(inches)	Meter (rpm)	Meter (rpm)	Meter (rpm)	Meter (rpm)	Meter (rpm)	Meter (rpm)	Meter (rpm)	Meter (rpm)
17	28	20 154	10.4	59	55	51	47				
17	27	20 900	10.0	62	57	53	48				
17	26	21 704	9.6	64	59	55	50	46			
19	28	22 525	9.3	66	62	57	52	47			
17	25	22 572	9.3	67	62	57	52	48			
19	27	23 359	9.0	69	64	59	54	49			
17	24	23 513	8.9	69	64	59	54	49	45		
19	26	24 257	8.6	71	66	61	56	51	46		
17	23	24 535	8.5	72	67	62	57	52	46		
19	25	25 228	8.3	74	69	64	58	53	48		
19	24	26 279	8.0		72	66	61	55	50		
23	28	27 267	7.7		75	69	63	57	52	46	
19	23	27 422	7.6		75	69	63	58	52	46	
23	27	28 277	7.4			71	65	60	54	48	
24	28	28 452	7.3			72	66	60	54	48	
23	26	29 364	7.1			74	68	62	56	49	
24	27	29 506	7.1			75	68	62	56	50	
25	28	29 638	7.1			75	69	62	56	50	
17	19	29 700	7.0			75	69	63	56	50	
23	25	30 539	6.8				71	64	58	51	45
24	26	30 641	6.8				71	64	58	52	45
25	27	30 736	6.8				71	65	58	52	45
26	28	30 823	6.8				71	65	58	52	45
23	24	31 811	6.6				74	67	60	54	47
24	25	31 867	6.6				74	67	60	54	47
25	26	31 918	6.6				74	67	60	54	47
26	27	31 965	6.5				74	67	61	54	47
27	28	32 009	6.5				74	67	61	54	47
23	23	33 194	6.3					70	63	56	49
28	27	34 424	6.1					72	65	58	51
27	26	34 471	6.1					73	65	58	51
26	25	34 522	6.1					73	65	58	51
25	24	34 578	6.0					73	65	58	51
24	23	34 638	6.0					73	66	58	51
28	26	35 748	5.8					75	68	60	53
27	25	35 850	5.8					75	68	60	53
26	24	35 961	5.8						68	61	53
25	23	36 081	5.8						68	61	53
19	17	37 100	5.6						70	62	55
28	25	37 178	5.6						70	63	55
27	24	37 344	5.6						71	63	55
26	23	37 524	5.6						71	63	55
28	24	38 727	5.4						73	65	57
27	23	38 967	5.4						74	66	57
23	19	40 183	5.2							68	59
28	23	40 411	5.2							68	60
24	19	41 930	5.0							71	62
25	19	43 677	4.8							74	64
23	17	44 910	4.7								66
26	19	45 424	4.6								67
24	17	46 863	4.5								69
27	19	47 171	4.4								69
25	17	48 815	4.3								72
28	19	48 918	4.3								72
26	17	50 768	4.1								75
27	17	52 721	4.0								
28	17	54 673	3.8								

31208

YP 1225 - 1625

**Twin Row 36in
6 Finger Meter**

ATTENTION !!! (For all seed corn types)

Great Plains always recommends test stand calibration of the finger meter to the population and ground speed desired .

For Round Corn optimum meter speed is 45 to 85 RPM
(Shaded & Non-shaded areas)

For Flat Corn optimum meter speed is 60 to 85 RPM
(Shaded area)

Range Sprockets		Driving = 30 Driven = 18		Ground Speed									
Transmission Combinations		Seed Population	Seed Spacing	7 mph	6.5 mph	6 mph	5.5 mph	5 mph	4.5 mph	4 mph	3.5 mph		
Driving	Driven	(seeds/acre)	(inches)	Meter (rpm)	Meter (rpm)	Meter (rpm)	Meter (rpm)	Meter (rpm)	Meter (rpm)	Meter (rpm)	Meter (rpm)		
17	28	18 661	18.7	66	61	57	52	47					
17	27	19 352	18.0	68	64	59	54	49					
17	26	20 096	17.3	71	66	61	56	51	46				
19	28	20 856	16.7	74	68	63	58	53	47				
17	25	20 900	16.7	74	69	63	58	53	48				
19	27	21 629	16.1	76	71	66	60	55	49				
17	24	21 771	16.0	77	71	66	60	55	49				
19	26	22 461	15.5	79	74	68	62	57	51	45			
17	23	22 718	15.3	80	75	69	63	57	52	46			
19	25	23 359	14.9	83	77	71	65	59	53	47			
19	24	24 332	14.3		80	74	68	61	55	49			
23	28	25 247	13.8		83	77	70	64	57	51	45		
19	23	25 390	13.7		83	77	71	64	58	51	45		
23	27	26 182	13.3			79	73	66	60	53	46		
24	28	26 345	13.2			80	73	67	60	53	47		
23	26	27 189	12.8			82	76	69	62	55	48		
24	27	27 321	12.8			83	76	69	62	55	48		
25	28	27 443	12.7			83	76	69	62	55	49		
17	19	27 500	12.7			83	76	69	63	56	49		
23	25	28 277	12.3				79	71	64	57	50		
24	26	28 371	12.3				79	72	64	57	50		
25	27	28 459	12.2				79	72	65	57	50		
26	28	28 540	12.2				79	72	65	58	50		
23	24	29 455	11.8				82	74	67	60	52		
24	25	29 506	11.8				82	75	67	60	52		
25	26	29 553	11.8				82	75	67	60	52		
26	27	29 597	11.8				82	75	67	60	52		
27	28	29 638	11.8				82	75	67	60	52		
23	23	30 736	11.3				85	78	70	62	54		
28	27	31 874	10.9					80	72	64	56		
27	26	31 918	10.9					81	73	64	56		
26	25	31 965	10.9					81	73	65	57		
25	24	32 016	10.9					81	73	65	57		
24	23	32 072	10.9					81	73	65	57		
28	26	33 100	10.5					84	75	67	59		
27	25	33 194	10.5					84	75	67	59		
26	24	33 297	10.5					84	76	67	59		
25	23	33 408	10.4					84	76	67	59		
19	17	34 352	10.1						78	69	61		
28	25	34 424	10.1						78	70	61		
27	24	34 578	10.1						79	70	61		
26	23	34 745	10.0						79	70	61		
28	24	35 858	9.7						81	72	63		
27	23	36 081	9.7						82	73	64		
23	19	37 206	9.4						85	75	66		
28	23	37 417	9.3						85	76	66		
24	19	38 824	9.0	Not Recommended							78	69	
25	19	40 442	8.6	Not Recommended							82	71	
23	17	41 583	8.4	Not Recommended							84	74	
26	19	42 059	8.3	Not Recommended							85	74	
24	17	43 391	8.0	Not Recommended								77	
27	19	43 677	8.0	Not Recommended								77	
25	17	45 199	7.7	Not Recommended								80	
28	19	45 295	7.7	Not Recommended								80	
26	17	47 007	7.4	Not Recommended								83	
27	17	48 815	7.1	Not Recommended									
28	17	50 623	6.9	Not Recommended									

31209

YP 1225 - 1625

Twin Row 36in 12 Finger Meter

ATTENTION !!! (For all seed corn types)

Great Plains always recommends test stand calibration of the finger meter to the population and ground speed desired .

For Round Corn optimum meter speed is 45 to 75 RPM

For Flat Corn optimum meter speed is 60 to 75 RPM

(Shaded & Non-shaded areas)

(Shaded area)

Range Sprockets		Driving = 20 Driven = 18		Ground Speed							
Transmission Combinations		Seed Population	Seed Spacing	7 mph	6.5 mph	6 mph	5.5 mph	5 mph	4.5 mph	4 mph	3.5 mph
Driving	Driven	(seeds/acre)	(inches)	Meter (rpm)	Meter (rpm)	Meter (rpm)	Meter (rpm)	Meter (rpm)	Meter (rpm)	Meter (rpm)	Meter (rpm)
17	28	24 881	14.0								
17	27	25 803	13.5	46							
17	26	26 795	13.0	47							
19	28	27 808	12.5	49	46						
17	25	27 867	12.5	49	46						
19	27	28 838	12.1	51	47						
17	24	29 028	12.0	51	48						
19	26	29 948	11.6	53	49	45					
17	23	30 290	11.5	54	50	46					
19	25	31 145	11.2	55	51	47					
19	24	32 443	10.7	57	53	49	45				
23	28	33 663	10.4	60	55	51	47				
19	23	33 854	10.3	60	56	51	47				
23	27	34 910	10.0	62	57	53	48				
24	28	35 126	9.9	62	58	53	49				
23	26	36 252	9.6	64	60	55	50	46			
24	27	36 427	9.6	64	60	55	51	46			
25	28	36 590	9.5	65	60	55	51	46			
17	19	36 667	9.5	65	60	56	51	46			
23	25	37 702	9.2	67	62	57	52	48			
24	26	37 828	9.2	67	62	57	53	48			
25	27	37 945	9.2	67	62	57	53	48			
26	28	38 054	9.2	67	62	58	53	48			
23	24	39 273	8.9	69	64	60	55	50	45		
24	25	39 342	8.9	70	65	60	55	50	45		
25	26	39 405	8.8	70	65	60	55	50	45		
26	27	39 463	8.8	70	65	60	55	50	45		
27	28	39 517	8.8	70	65	60	55	50	45		
23	23	40 981	8.5	72	67	62	57	52	47		
28	27	42 499	8.2	75	70	64	59	54	48		
27	26	42 557	8.2	75	70	64	59	54	48		
26	25	42 620	8.2	75	70	65	59	54	48		
25	24	42 688	8.2	75	70	65	59	54	49		
24	23	42 763	8.1		70	65	59	54	49		
28	26	44 133	7.9		72	67	61	56	50	45	
27	25	44 259	7.9		73	67	61	56	50	45	
26	24	44 396	7.8		73	67	62	56	50	45	
25	23	44 544	7.8		73	67	62	56	51	45	
19	17	45 802	7.6		75	69	64	58	52	46	
28	25	45 899	7.6		75	70	64	58	52	46	
27	24	46 103	7.6			70	64	58	52	47	
26	23	46 326	7.5			70	64	58	53	47	
28	24	47 811	7.3			72	66	60	54	48	
27	23	48 108	7.2			73	67	61	55	49	
23	19	49 608	7.0			75	69	63	56	50	
28	23	49 890	7.0				69	63	57	50	
24	19	51 765	6.7				72	65	59	52	46
25	19	53 922	6.5				75	68	61	54	48
23	17	55 445	6.3					70	63	56	49
26	19	56 079	6.2					71	64	57	50
24	17	57 855	6.0					73	66	58	51
27	19	58 236	6.0					74	66	59	51
25	17	60 266	5.8						68	61	53
28	19	60 393	5.8							69	61
26	17	62 677	5.6							71	63
27	17	65 087	5.4							74	66
28	17	67 498	5.2								68

31210

YP 1225 - 1625

36in Rows 6 Finger Meter

ATTENTION !!! (For all seed corn types)

Great Plains always recommends test stand calibration of the finger meter to the population and ground speed desired .

For Round Corn optimum meter speed is 45 to 75 RPM
(Shaded & Non-shaded areas)

For Flat Corn optimum meter speed is 60 to 75 RPM
(Shaded area)

Range Sprockets		Driving = 30 Driven = 18		Ground Speed									
Transmission Combinations		Seed Population	Seed Spacing	7 mph	6.5 mph	6 mph	5.5 mph	5 mph	4.5 mph	4 mph	3.5 mph		
Driving	Driven	(seeds/acre)	(inches)	Meter (rpm)	Meter (rpm)	Meter (rpm)	Meter (rpm)	Meter (rpm)	Meter (rpm)	Meter (rpm)	Meter (rpm)		
17	28	9 330	18.7	66	61	57	52	47					
17	27	9 676	18.0	68	64	59	54	49					
17	26	10 048	17.3	71	66	61	56	51	46				
19	28	10 428	16.7	74	68	63	58	53	47				
17	25	10 450	16.7	74	69	63	58	53	48				
19	27	10 814	16.1		71	66	60	55	49				
17	24	10 886	16.0		71	66	60	55	49				
19	26	11 230	15.5		74	68	62	57	51	45			
17	23	11 359	15.3		75	69	63	57	52	46			
19	25	11 680	14.9			71	65	59	53	47			
19	24	12 166	14.3			74	68	61	55	49			
23	28	12 624	13.8				70	64	57	51	45		
19	23	12 695	13.7				71	64	58	51	45		
23	27	13 091	13.3				73	66	60	53	46		
24	28	13 172	13.2				73	67	60	53	47		
23	26	13 595	12.8					69	62	55	48		
24	27	13 660	12.8					69	62	55	48		
25	28	13 721	12.7					69	62	55	49		
17	19	13 750	12.7					69	63	56	49		
23	25	14 138	12.3					71	64	57	50		
24	26	14 186	12.3					72	64	57	50		
25	27	14 229	12.2					72	65	57	50		
26	28	14 270	12.2					72	65	58	50		
23	24	14 727	11.8					74	67	60	52		
24	25	14 753	11.8					75	67	60	52		
25	26	14 777	11.8					75	67	60	52		
26	27	14 799	11.8					75	67	60	52		
27	28	14 819	11.8					75	67	60	52		
23	23	15 368	11.3						70	62	54		
28	27	15 937	10.9						72	64	56		
27	26	15 959	10.9						73	64	56		
26	25	15 983	10.9						73	65	57		
25	24	16 008	10.9						73	65	57		
24	23	16 036	10.9						73	65	57		
28	26	16 550	10.5						75	67	59		
27	25	16 597	10.5						75	67	59		
26	24	16 648	10.5							67	59		
25	23	16 704	10.4							67	59		
19	17	17 176	10.1							69	61		
28	25	17 212	10.1							70	61		
27	24	17 289	10.1							70	61		
26	23	17 372	10.0							70	61		
28	24	17 929	9.7							72	63		
27	23	18 040	9.7							73	64		
23	19	18 603	9.4							75	66		
28	23	18 709	9.3								66		
24	19	19 412	9.0	Not Recommended									69
25	19	20 221	8.6								71		
23	17	20 792	8.4								74		
26	19	21 030	8.3								74		
24	17	21 696	8.0										
27	19	21 838	8.0										
25	17	22 600	7.7										
28	19	22 647	7.7										
26	17	23 504	7.4										
27	17	24 408	7.1										
28	17	25 312	6.9										

31211

YP 1225 - 1625

**36in Rows
12 Finger Meter**

ATTENTION !!! (For all seed corn types)

Great Plains always recommends test stand calibration of the finger meter to the population and ground speed desired .

For Round Corn optimum meter speed is 45 to 75 RPM

For Flat Corn optimum meter speed is 60 to 75 RPM

(Shaded & Non-shaded areas)

(Shaded area)

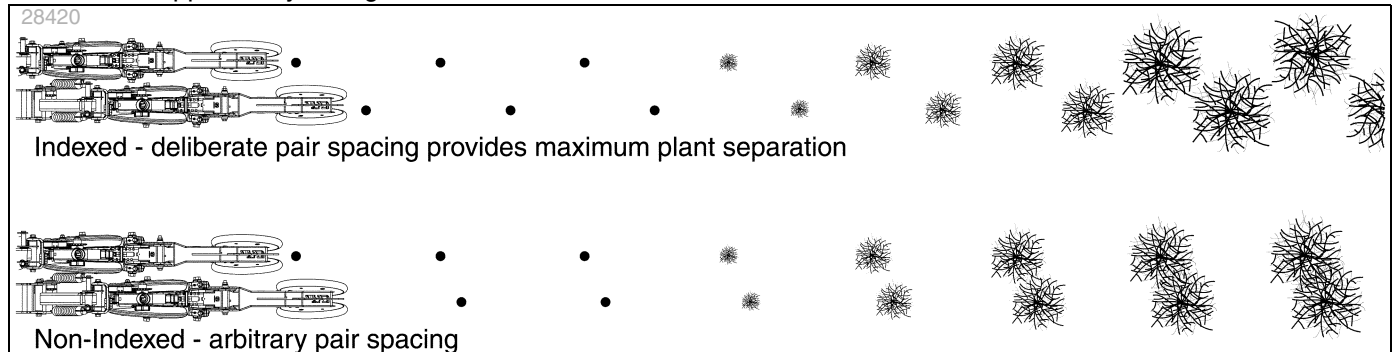
Range Sprockets		Driving = 30 Driven = 18		Ground Speed							
Transmission Combinations		Seed Population	Seed Spacing	7 mph	6.5 mph	6 mph	5.5 mph	5 mph	4.5 mph	4 mph	3.5 mph
Driving	Driven	(seeds/acre)	(inches)	Meter (rpm)	Meter (rpm)	Meter (rpm)	Meter (rpm)	Meter (rpm)	Meter (rpm)	Meter (rpm)	Meter (rpm)
17	28	18 661	9.3	66	61	57	52	47			
17	27	19 352	9.0	68	64	59	54	49			
17	26	20 096	8.7	71	66	61	56	51	46		
19	28	20 856	8.4	74	68	63	58	53	47		
17	25	20 900	8.3	74	69	63	58	53	48		
19	27	21 629	8.1		71	66	60	55	49		
17	24	21 771	8.0		71	66	60	55	49		
19	26	22 461	7.8		74	68	62	57	51	45	
17	23	22 718	7.7		75	69	63	57	52	46	
19	25	23 359	7.5			71	65	59	53	47	
19	24	24 332	7.2			74	68	61	55	49	
23	28	25 247	6.9				70	64	57	51	45
19	23	25 390	6.9				71	64	58	51	45
23	27	26 182	6.7				73	66	60	53	46
24	28	26 345	6.6				73	67	60	53	47
23	26	27 189	6.4					69	62	55	48
24	27	27 321	6.4					69	62	55	48
25	28	27 443	6.3					69	62	55	49
17	19	27 500	6.3					69	63	56	49
23	25	28 277	6.2					71	64	57	50
24	26	28 371	6.1					72	64	57	50
25	27	28 459	6.1					72	65	57	50
26	28	28 540	6.1					72	65	58	50
23	24	29 455	5.9					74	67	60	52
24	25	29 506	5.9					75	67	60	52
25	26	29 553	5.9					75	67	60	52
26	27	29 597	5.9					75	67	60	52
27	28	29 638	5.9					75	67	60	52
23	23	30 736	5.7						70	62	54
28	27	31 874	5.5						72	64	56
27	26	31 918	5.5						73	64	56
26	25	31 965	5.5						73	65	57
25	24	32 016	5.4						73	65	57
24	23	32 072	5.4						73	65	57
28	26	33 100	5.3						75	67	59
27	25	33 194	5.2						75	67	59
26	24	33 297	5.2							67	59
25	23	33 408	5.2							67	59
19	17	34 352	5.1							69	61
28	25	34 424	5.1							70	61
27	24	34 578	5.0							70	61
26	23	34 745	5.0							70	61
28	24	35 858	4.9							72	63
27	23	36 081	4.8							73	64
23	19	37 206	4.7							75	66
28	23	37 417	4.7								66
24	19	38 824	4.5								69
25	19	40 442	4.3								71
23	17	41 583	4.2								74
26	19	42 059	4.1								74
24	17	43 391	4.0								
27	19	43 677	4.0								
25	17	45 199	3.9								
28	19	45 295	3.8								
26	17	47 007	3.7								
27	17	48 815	3.6								
28	17	50 623	3.4								

31212



Finger Meter Sprocket Indexing (Stagger)

This section applies only to finger meters.



If you are planting:

- finger-metered,
 - twin-row crops,
 - at seed interval spacings above 6 $\frac{1}{2}$ inches (16.5cm),
- you can synchronize each pair of adjacent meters in a twin row so that you achieve the maximum seed-to-seed spacing between the units of the pair.

If you are planting:

- single-row,
 - or with Singulator Plus meters,
 - or a volumetric crop,
 - or twin row with seed spacings below 6 $\frac{1}{2}$ in (16.5cm),
- this section of the manual, and the sprocket indexing charts, do *not* apply to your operations.

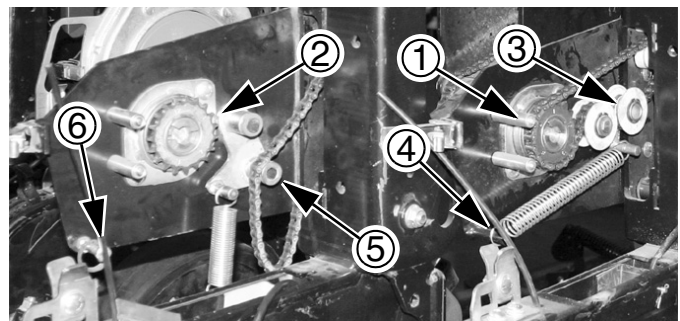


Figure 12
Sprocket Indexing

25417

If the initial indexing does not provide equal spacing, see **Refer to Figure 12**
“**Indexing Fine Adjustment**” on page 50.

1. Find the chart for your row spacing, meter finger count and desired seed population. Note the “**Rear Meter Sprocket Tooth #**” value in the far right column.
2. Remove both meters of a row unit pair. Note that tooth 1 and many of the other teeth on the driven sprockets ①,② are stamped with a tooth number.

On front row unit:

3. Relax idlers ③ on front meter drive by lifting the spring off the rear post ④.
4. Lift chain off driven sprocket ①, and rotate sprocket so that tooth 1 is as close as possible to straight up (TDC: top dead center, 12:00 position).
5. Re-engage chain and idlers, making sure chain is taut at top, and that sprocket tooth 1 has not shifted off TDC.

On rear row unit:

6. Relax idlers ⑤ on rear meter drive by lifting the spring off the rear post ⑥.
7. Lift chain off driven sprocket ②, and rotate sprocket so that the tooth number called for in the chart is at TDC (or is the same as the front row sprocket).
8. Re-engage chain and idlers, making sure chain is taut at top, and that the designated sprocket tooth has not shifted off TDC.
9. Re-install meters. No particular wheel orientation is required during meter installation. The meter engagement is symmetrical, and the results identical no matter how the coupler captures the meter shaft.

Sprocket Indexing Charts

1. For: your 6- or 12-finger meter, and your twin row spacing (30in on this page) find your seed rate in the Population column, or your seed spacing in the Seed Spacing column. Seed spacing is seed-to-seed within a single row of a twin row pair.
2. At the front/forward row unit of a pair, set the driven (final) sprocket of the meter drive so that tooth stamped #1 is straight up (TDC, 12:00 position).
3. At the rear/trailing row unit of the pair, set the driven sprocket so that the tooth number at “Rear Meter” is in the straight up 12:00 position.

NOTICE

These are NOT seed rate or seed spacing charts. These are charts for staggering seed spacing between the rows of a twin row.

Note: For adjusting spacing between rows of the pair, see “**Indexing Fine Adjustment**” on page 50.

NOTICE

Verify the 12:00 sprocket tooth position with the top length of chain taut.

30in Twin Row Sprocket Indexing

6 Finger Meter Twin Row Sprocket Indexing

30in Twin Row		Set Sprocket to Tooth Number on ..	
Population Seeds per Acre	Single Row Seed Spacing (in)	Front Meter	Rear Meter

15,700 to 17,300	24.2 to 26.6	1	4
17,300 to 18,800	22.2 to 24.2	1	7
18,800 to 20,400	20.5 to 22.2	1	10
20,400 to 22,000	19.0 to 20.5	1	13
22,000 to 23,600	17.7 to 19.0	1	16
23,600 to 25,000	16.7 to 17.7	1	19
25,000 to 26,600	15.7 to 16.7	1	3
26,600 to 28,300	14.8 to 15.7	1	6
28,300 to 29,900	14.0 to 14.8	1	9
29,900 to 31,500	13.3 to 14.0	1	12
31,500 to 33,000	12.7 to 13.3	1	15
33,000 to 34,700	12.1 to 12.7	1	18
34,700 to 36,200	11.6 to 12.1	1	2
36,200 to 37,800	11.1 to 11.6	1	5
37,800 to 39,300	10.6 to 11.1	1	8
39,300 to 40,800	10.3 to 10.6	1	11
40,800 to 42,500	9.8 to 10.3	1	14
42,500 to 44,000	9.5 to 9.8	1	17
44,000 to 45,400	9.2 to 9.5	1	1
45,400 to 47,000	8.9 to 9.2	1	4
47,000 to 48,600	8.6 to 8.9	1	7
48,600 to 50,400	8.3 to 8.6	1	10
50,400 to 51,800	8.1 to 8.3	1	13
51,800 to 53,300	7.8 to 8.1	1	16

12 Finger Meter Twin Row Sprocket Indexing

30in Twin Row		Set Sprocket to Tooth Number on ..	
Population Seeds per Acre	Single Row Seed Spacing (in)	Front Meter	Rear Meter

26,600 to 28,300	14.8 to 15.7	1	13
28,300 to 29,900	14.0 to 14.8	1	5
29,900 to 31,500	13.3 to 14.0	1	16
31,500 to 33,000	12.7 to 13.3	1	8
33,000 to 34,700	12.1 to 12.7	1	19
34,700 to 36,200	11.6 to 12.1	1	11
36,200 to 37,800	11.1 to 11.6	1	3
37,800 to 39,300	10.6 to 11.1	1	14
39,300 to 40,800	10.3 to 10.6	1	6
40,800 to 42,500	9.8 to 10.3	1	17
42,500 to 44,000	9.5 to 9.8	1	9
44,000 to 45,400	9.2 to 9.5	1	1
45,400 to 47,000	8.9 to 9.2	1	12
47,000 to 48,600	8.6 to 8.9	1	4
48,600 to 50,400	8.3 to 8.6	1	15
50,400 to 51,800	8.1 to 8.3	1	7
51,800 to 53,300	7.9 to 8.1	1	18
53,300 to 55,000	7.6 to 7.9	1	10
55,000 to 56,600	7.4 to 7.6	1	2
56,600 to 58,200	7.2 to 7.4	1	13
58,200 to 59,700	7.0 to 7.2	1	5
59,700 to 61,300	6.8 to 7.0	1	16
61,300 to 62,900	6.7 to 6.8	1	8
62,900 to 64,400	6.5 to 6.7	1	19

36in Twin Row Sprocket Indexing

NOTICE

These are NOT seed rate or seed spacing charts. These are charts for staggering seed spacing between the rows of a twin row.

Note: For adjusting spacing between rows of the pair, see "Indexing Fine Adjustment" on page 50.

NOTICE

Verify the 12:00 sprocket tooth position with the top length of chain taut.

6 Finger Meter Twin Row Sprocket Indexing

36in Twin Row		Set Sprocket to Tooth Number on ..	
Population Seeds per Acre	Single Row Seed Spacing (in)	Front Meter	Rear Meter
14,400 to 13,100	24.2 to 26.6	1	4
15,700 to 14,400	22.2 to 24.2	1	7
17,000 to 15,700	20.5 to 22.2	1	10
18,300 to 17,000	19.0 to 20.5	1	13
19,700 to 18,300	17.7 to 19.0	1	16
20,900 to 19,700	16.7 to 17.7	1	19
22,200 to 20,900	15.7 to 16.7	1	3
23,600 to 22,200	14.8 to 15.7	1	6
24,900 to 23,600	14.0 to 14.8	1	9
26,200 to 24,900	13.3 to 14.0	1	12
27,500 to 26,200	12.7 to 13.3	1	15
28,900 to 27,500	12.1 to 12.7	1	18
30,200 to 28,900	11.6 to 12.1	1	2
31,500 to 30,200	11.1 to 11.6	1	5
32,800 to 31,500	10.6 to 11.1	1	8
34,000 to 32,800	10.3 to 10.6	1	11
35,400 to 34,000	9.8 to 10.3	1	14
36,700 to 35,400	9.5 to 9.8	1	17
37,800 to 36,700	9.2 to 9.5	1	1
39,200 to 37,800	8.9 to 9.2	1	4
40,500 to 39,200	8.6 to 8.9	1	7
42,000 to 40,500	8.3 to 8.6	1	10
43,200 to 42,000	8.1 to 8.3	1	13
44,400 to 43,200	7.8 to 8.1	1	16

12 Finger Meter Twin Row Sprocket Indexing

36in Twin Row		Set Sprocket to Tooth Number on ..	
Population Seeds per Acre	Single Row Seed Spacing (in)	Front Meter	Rear Meter
23,600 to 22,200	14.8 to 15.7	1	13
24,900 to 23,600	14.0 to 14.8	1	5
26,200 to 24,900	13.3 to 14.0	1	16
27,500 to 26,200	12.7 to 13.3	1	8
28,900 to 27,500	12.1 to 12.7	1	19
30,200 to 28,900	11.6 to 12.1	1	11
31,500 to 30,200	11.1 to 11.6	1	3
32,800 to 31,500	10.6 to 11.1	1	14
34,000 to 32,800	10.3 to 10.6	1	6
35,400 to 34,000	9.8 to 10.3	1	17
36,700 to 35,400	9.5 to 9.8	1	9
37,800 to 36,700	9.2 to 9.5	1	1
39,200 to 37,800	8.9 to 9.2	1	12
40,500 to 39,200	8.6 to 8.9	1	4
42,000 to 40,500	8.3 to 8.6	1	15
43,200 to 42,000	8.1 to 8.3	1	7
44,400 to 43,200	7.9 to 8.1	1	18
45,900 to 44,400	7.6 to 7.9	1	10
47,200 to 45,900	7.4 to 7.6	1	2
48,500 to 47,200	7.2 to 7.4	1	13
49,800 to 48,500	7.0 to 7.2	1	5
51,100 to 49,800	6.8 to 7.0	1	16
52,400 to 51,100	6.7 to 6.8	1	8
53,700 to 52,400	6.5 to 6.7	1	19

Indexing Fine Adjustment

If, after indexing, the twin-row side-to-side seed stagger is substantially imbalanced, it is possible to make small adjustments that may correct it. Imbalance can occur over time as row unit chains wear and stretch.

The procedure is different for 6- and 12-finger meters.

If an adjustment is made, test it on one row pair before adjusting the entire planter.

Before making any Indexing Adjustments:

- Check actual planted seed spacing. Seed Spacing is found by measuring the distance between 25 correctly planted seeds in one row and dividing by 24. (A visible skip or double is counted as one seed.)
- Make sure the current front sprocket index is 1, and the current rear sprocket index number matches the number in the indexing chart for actual seed spacing being planted.

6-Finger Meter Stagger Adjustment

Find your current indexing value row in the chart on page 47.

Each (sprocket tooth) number directly above or below the current rear meter sprocket setting in the right most column of the seed indexing chart represents a small movement of the rear row seed relative to the front row seed.

Changing the rear sprocket to the next number up in the chart *retards*, moving each rear row seed back a small amount.

Changing the rear sprocket to the next number down in the chart *advances*, moving each rear row seed ahead a small amount.

Example 1:

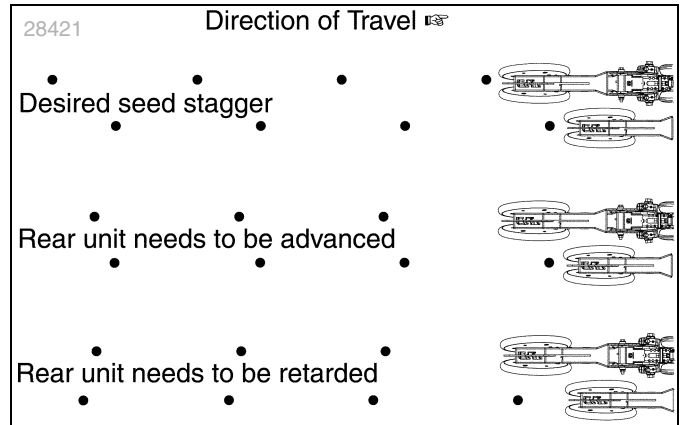
The 6 Finger, Twin Row 30in planting population is 32000 or 13.1in seed spacing. The chart setting for the rear sprocket is [15]. Each rear row seed should fall 6.6in behind the front row seed.

If each rear row seed measures only 5in behind the front row seed, reset the rear meter sprocket to the next number **up** in the chart [12]. This moves the rear seeds back to make the stagger closer to 6.6in.

Example 2:

The 6 Finger, Twin Row 30in planting population is 32000 or 13.1in seed spacing. The chart setting for the rear sprocket is [15]. Each rear row seed should fall 6.6in behind front row seed.

If each rear row seed measures 9in behind the front row seed, reset the rear meter sprocket to the next number **down** in the chart [18]. This moves the rear seeds ahead to make the stagger closer to 6.6in.



Seeds per Acre	Spacing (in)	Front Meter	Rear Meter
700 to 17,300	24.2 to 26.6	1	4
300 to 18,800	22.2 to 24.2	1	7
800 to 20,400	20.5 to 22.2	1	10
400 to 22,000	19.0 to 20.5	1	13
000 to 23,600	17.7 to 19.0	1	16
600 to 25,000	16.7 to 17.7	1	19
000 to 26,600	15.7 to 16.7	1	3
600 to 28,300	14.8 to 15.7	1	6
300 to 29,900	14.0 to 14.8	1	9
900 to 31,500	13.3 to 14.0	1	12 Retard
500 to 33,000	12.7 to 13.3	1	15 Current
000 to 34,700	12.1 to 12.7	1	18 Advance
700 to 36,200	11.6 to 12.1	1	2
200 to 37,800	11.1 to 11.6	1	5

Figure 13: Portion of Sprocket Indexing Chart

12-Finger Meter Stagger Adjustment

Before making any Indexing Adjustments, check actual planted seed spacing. Seed Spacing is found by measuring the distance between 25 correctly planted seeds in one row and dividing by 24. (A visible skip or double should be counted as one seed.) Make sure current front index is 1, and current rear sprocket index number matches the number in the indexing chart for actual seed spacing being planted.

Find your current indexing value row in the chart on page 47.

Each (sprocket tooth) number directly above or below the current rear meter sprocket setting in the right most column of the seed indexing chart represents a small movement of the rear row seed relative to the front row seed.

Changing the rear sprocket to the next number *down* in the chart *retards*, moving each rear row seed back a small amount.

Changing the rear sprocket to the next number *up* in the chart *advances*, moving each rear row seed ahead a small amount.

Example 1:

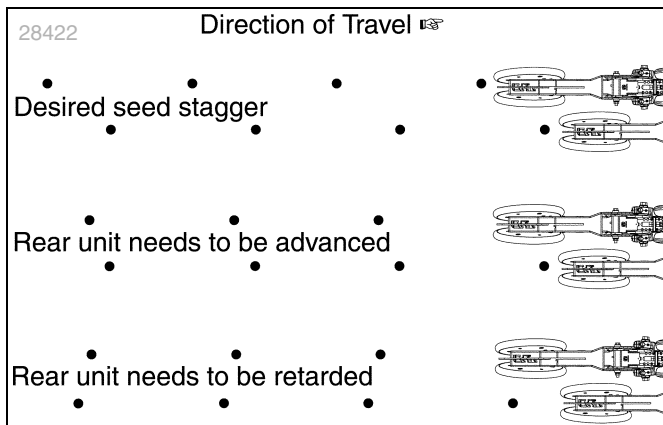
The 12 Finger Twin Row 30in planting population is 37000 or 11.3in seed spacing. The chart setting for the rear sprocket is [3]. Each rear row seed should fall 5.6in behind the front row seed.

If each rear row seed measures 7in behind the front row seed, reset the rear meter sprocket to the next number **down** in the chart [14]. This will move the rear seeds ahead and make the stagger closer to 5.6in.

Example 2:

The 12 Finger Twin Row 30in planting population is 37000 or 11.3in seed spacing. The chart setting for the rear sprocket is [3]. Each rear row seed should fall 5.6in behind the front row seed.

If each rear row seed measures 4in behind the front row seed, reset the rear meter sprocket to the next number **up** in the chart [11]. This will move the rear seeds back to make the stagger closer to 5.6in.



12 Finger Meter Twin Row Sprocket Indexing			
30in Twin Row		Set Sprocket to Tooth Number on ..	
Population Seeds per Acre	Single Row Seed Spacing (in)	Front Meter	Rear Meter
26,600 to 28,300	14.8 to 15.7	1	13
28,300 to 29,900	14.0 to 14.8	1	5
29,900 to 31,500	13.3 to 14.0	1	16
31,500 to 33,000	12.7 to 13.3	1	8
33,000 to 34,700	12.1 to 12.7	1	19
34,700 to 36,200	11.6 to 12.1	1	11 Advance
36,200 to 37,800	11.1 to 11.6	1	3 Current
37,800 to 39,300	10.6 to 11.1	1	14 Retard
39,300 to 40,800	10.3 to 10.6	1	6
40,800 to 42,500	9.8 to 10.3	1	17
42,500 to 44,000	9.5 to 9.8	1	0

Figure 14: Portion of Sprocket Indexing Chart



Fertilizer Rate

The liquid fertilizer option uses a JohnBlue piston pump. For pump operation and pump maintenance refer to the Planter Operator manual and JohnBlue pump manual. The JohnBlue manual is supplied in the liquid fertilizer option package.

The pump is driven by a ground contact wheel, and fertilizer rate is independent of seed rate. Fertilizer rate is set by a pump dial and a sprocket on the ground drive assembly.

Note: Great Plains recommends checking with your local Agronomist as soil conditions vary. Soil conditions in your area may need lesser or more amounts of fertilizer than represented in these charts. Do not exceed 12 gallons/ac (112 liters/Ha) in any case.

Note: Always remove pump drive chain when not in use. Do not operate planter pump when not applying material.

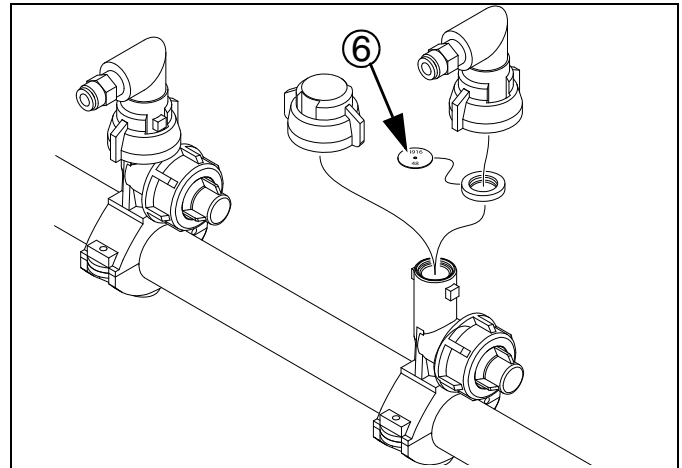


Figure 15
Fertilizer Orifice Plate

29984

Orifice Plate Selection

Refer to Figure 15

Wear protective gloves when changing orifice plates.

Refer to Figure 15

In general, the orifice ⑥ needs to be small enough to create at least 15 psi of pressure in the manifold but large enough to prevent the manifold pressure from exceeding 85 psi.

The minimum pressure is required to even out the flow of fertilizer between rows. To reduce orifice plugging and pump wear, use the largest orifice practical for your fertilizer application rate.

Orifice Size	Part Number	Port Diameter	Port Area
20	832-052C	0.020 in	0.20 mm ²
28*	832-056C	0.028 in	0.40 mm ²
34*	832-053C	0.034 in	0.59 mm ²
48*	832-054C	0.048 in	1.17 mm ²
59	832-057C	0.059 in	1.76 mm ²
80	832-055C	0.080 in	3.24 mm ²
98	832-059C	0.098 in	4.87 mm ²

Sizes standard in many fertilizer bundles.

29993

Check your accessories before ordering.

The best pressure range to maintain is 15-40 psi to ensure optimum distribution while minimizing leakage.

Determine Orifice Size

The chart below shows rate ranges for each Great Plains orifice size and row spacing. You may need to change to the next higher or lower orifice for a different fertilizer solution density and/or a different ground speed.

Note: Maximum available rate depends on pump rating, drive setup, ground speed, and planter swath. Not

all of the higher rates are possible in all configurations.

NOTICE

Orifice size is only used to create 15-65 psi back pressure to provide even flow between rows. Set application rate in gallons per acre using pump drive chart.

Orifice Plate Size	20	28*	34*	48*	59	80	98
	Recommended Rate Range in Gallons per Acre. Range is 15 - 40 PSI						
	(Values based on: 5.0 mph, 10.7 lbs/gallon Fertilizer solution density)						
Nozzle Spacing							
6 inch single	5.6 - 9.1	11 - 17	16 - 26	31 - 50	46 - 76	85 - 139	134 - 219
7.5 inch single	4.5 - 7.3	8.4 - 14	13 - 21	25 - 40	37 - 61	68 - 111	107 - 175
8 inch single	4.2 - 6.8	7.9 - 13	12 - 19	23 - 38	35 - 57	64 - 104	101 - 164
9.5 inch single	3.5 - 5.8	6.6 - 11	10 - 16	19 - 32	29 - 48	54 - 88	85 - 138
10 inch single	3.4 - 5.5	6.3 - 10	9.5 - 15	18 - 30	28 - 46	51 - 83	80 - 131
13.8in (35cm, 70TR)	2.4 - 4.0	4.6 - 7.5	6.9 - 11	13 - 22	20 - 33	37 - 61	58 - 95
14.8in (38cm, 75TR)	2.3 - 3.7	4.3 - 7.0	6.4 - 10	12 - 20	19 - 31	35 - 56	55 - 89
15in single (30TR)	2.2 - 3.6	4.2 - 6.9	6.3 - 10	12 - 20	19 - 30	34 - 56	54 - 88
18in (36in Twin Row)	1.9 - 3.0	3.5 - 5.7	5.3 - 8.6	10 - 17	15 - 25	28 - 46	45 - 73
19in (38in Twin Row)	1.8 - 2.9	3.3 - 5.4	5.0 - 8.1	9.7 - 16	15 - 24	27 - 44	42 - 69
20 inch single	1.7 - 2.7	3.2 - 5.2	4.7 - 7.7	9.2 - 15	14 - 23	26 - 42	40 - 66
27.6in (70cm single)	1.2 - 2.0	2.3 - 3.7	3.4 - 5.6	6.7 - 11	10 - 17	19 - 30	29 - 48
29.5in (75cm single)	1.1 - 1.9	2.1 - 3.5	3.2 - 5.2	6.2 - 10	9 - 15	17 - 28	27 - 45
30 inch single	1.1 - 1.8	2.1 - 3.4	3.2 - 5.2	6.1 - 10	9.3 - 15	17 - 28	27 - 44
36 inch single	0.9 - 1.5	1.8 - 2.9	2.6 - 4.3	5.1 - 8.4	7.7 - 13	14 - 23	22 - 37
38 inch single	0.9 - 1.4	1.7 - 2.7	2.5 - 4.1	4.8 - 7.9	7.3 - 12	13 - 22	21 - 35
40 inch single	0.8 - 1.4	1.6 - 2.6	2.4 - 3.9	4.6 - 7.5	7.0 - 11	13 - 21	20 - 33

* These sizes standard in most Great Plains fertilizer systems.

31014

Ground Drive Fertilizer Rate

Refer to *Figure 16* and *Figure 17*

Coarse rate is set by a single “driving” sprocket ① on the ground drive assembly. Fine rate is set on a dial (setting hub) ② at the pump ③, using a tool supplied with the pump.

Rate settings may be established in any of three ways:

- the table on the next page,
 - the slide chart provided with the pump, or;
 - a calculator on the JohnBlue internet web site (www.cds-johnblue.com)
1. Check plumbing setup. See “**Setting Relief Valve**” and “**Strainer**” in the Operator Manual.
 2. Determine Driving sprocket (15T or 47T) required from table, slide chart or web calculator. If this sprocket is already installed on driven shaft, skip to step 7. Otherwise, to change sprocket, continue with step 3.
 3. Remove knob ④ and guard ⑤. Loosen idler ⑥, and remove chain ⑦ from lower jackshaft ①.
 4. Select the new sprocket from the storage shaft ⑧. Remove the pins, and exchange sprockets. Store the previous sprocket on the storage shaft.
 5. Remount the chain ⑦. Re-engage idler ⑥, tightening so that the longest span of the chain has $\frac{1}{4}$ in (6mm) of slack.
 6. Remount guard ⑤ and secure with knob ④.

Refer to *Figure 17*

7. Use the box-wrench end of the JohnBlue 115681-01 tool, and loosen the setting pointer nut ⑧.
8. Use the other end of the tool to rotate the dial ② to the setting determined by table, slide chart or web.
9. Re-tighten pointer nut.

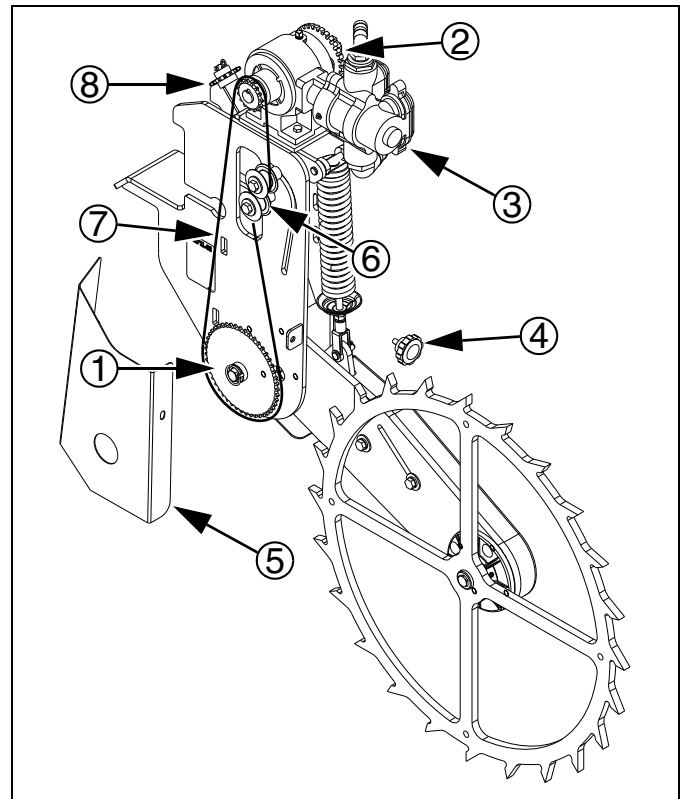


Figure 16

28416

John Blue Pump

Contact wheel and chain system operate whenever the planter is lowered and in motion. If planting without fertilizing, the pump must not be allowed to run dry. Disconnect chain or remove sprocket.

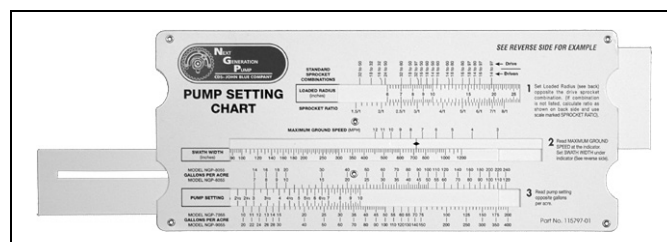


Figure 18

26156

JohnBlue Slide Chart

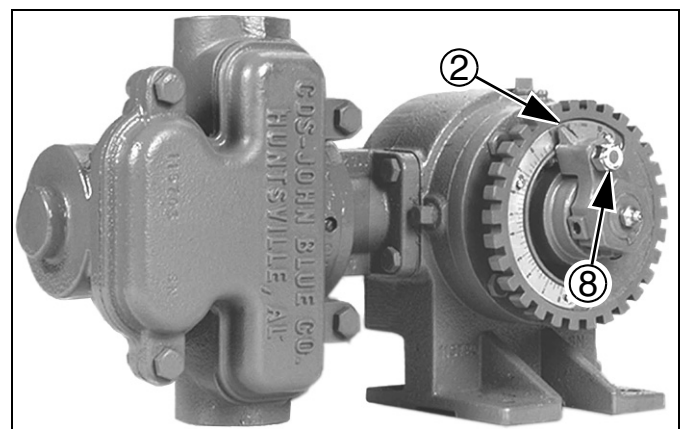


Figure 17

26155

Pump Dial

JohnBlue Fertilizer Rates

This table is in U.S. customary units, and is based on nominal swaths of: 360in (YP1225) or 480in (YP1625). Use the slide chart or internet calculator for more precise rate setting.

Gallons per Acre	YP1225		YP1625		Liters per Hectare
	Driving Sprocket		Driving Sprocket		
	15	47	15	47	
	Dial Setting		Dial Setting		
2			2.2		19
3	2.4		3.2		28
4	3.2		4.3		37
5	4.0		5.4		47
6	4.8		6.5	2.1	56
7	5.7		7.5	2.4	65
8	6.5	2.1	8.6	2.8	75
9	7.3	2.3	9.7	3.1	84
10	8.1	2.6		3.4	94
11	8.9	2.8		3.8	103
12	9.7	3.1		4.1	112
13		3.4		4.5	122
14		3.6		4.8	131
15		3.9		5.2	140
16		4.1		5.5	150
17		4.4		5.8	159
18		4.6		6.2	168
19		4.9		6.5	178
20		5.2		6.9	187
21		5.4		7.2	196
22		5.7		7.6	206
23		5.9		7.9	215
24		6.2		8.3	224
25		6.4		8.6	234
26		6.7		8.9	243
27		7.0		9.3	253
28		7.2		9.6	262
29		7.5		10.0	271
30		7.7			281
31		8.0			290
32		8.3			299
33		8.5			309
34		8.8			318
35		9.0			327
36		9.3			337
37		9.5			346
38		9.8			355

29695

YP1625-1670				
Liters per Hectare	Driving Sprocket		Liters per Hectare	Driving Sprocket 47 Dial Setting
	15	47		
	Dial Setting			
20	2.1		160	5.4
25	2.6		165	5.6
30	3.2		170	5.7
35	3.7		175	5.9
40	4.2		180	6.1
45	4.8		185	6.2
50	5.3		190	6.4
55	5.8		195	6.6
60	6.3	2.0	200	6.8
65	6.9	2.2	205	6.9
70	7.4	2.4	210	7.1
75	7.9	2.5	215	7.3
80	8.5	2.7	220	7.4
85	9.0	2.9	225	7.6
90	9.5	3.0	230	7.8
95		3.2	235	7.9
100		3.4	240	8.1
105		3.5	245	8.3
110		3.7	250	8.4
115		3.9	255	8.6
120		4.1	260	8.8
125		4.2	265	8.9
130		4.4	270	9.1
135		4.6	275	9.3
140		4.7	280	9.5
145		4.9	285	9.6
150		5.1	290	9.8
155		5.2	295	10.0
160		5.4		

29696

JohnBlue Reference Data

Use the data below with the JohnBlue 115797-01 slide chart or with the JohnBlue internet calculator.

Pump Type	(•) Piston Pump NGP-6050 Series	
Data Preference	(•) <user-specified>	
Application Rate	<user-specified>	
Drive System	(•) Ground Drive Loaded Radius: 17.55in (44.58cm)	
Swath Width	YP1225-1230	360in
	YP1225-16TR36	288in
	YP1225-1820	360in
	YP1225-2315	345in
	YP1225-24TR	360in
	YP1625-1236	432in
	YP1625-1630	480in
	YP1625-1670	1120cm
	YP1625-2420	480in
	YP1625-24TR36	432in
	YP1625-3115	465in
	YP1625-32TR	480in
Drive (Required): 25 (Optional): 15 or 47 (Optional): — (Optional): —	Driven (Required): 15 (Optional): 15 (Optional): — (Optional): —	
Sprocket Ratio (for slide chart)	Driving 15T: 1.67 Driving 47T: 5.22	
Ground Speed	5 mph* / 8 kph	

* Gallons per acre is independent of speed between 2 mph and 8 mph (3-13 kph). See advisory below.

NOTICE

Plant at or below 8 mph (13 kph) with the 47T Driving sprocket installed. The pump is rated for 450 rpm maximum, which is exceeded at and above 9 mph (14 kph).

Setting Relief Valve

A relief valve is mounted directly above the pump to protect the manifold and pump from excessive pressure. Any product that dumps over the relief valve will discharge from the dump line ①.

To set relief valve:

Refer to Figure 19

1. Unlock plastic jam nut ② from relief valve knob ③.
2. Unscrew knob clockwise until it loses contact with internal spring.
3. Screw knob counterclockwise two turns. Start at this setting.
4. Observe manifold gauge ④. Watch for relief valve discharge ① while operating in the field.
5. If valve is dumping product and gauge reads under 65 psi, stop tractor and, looking down, turn knob clockwise $\frac{1}{4}$ turn. Continue operating at normal field speed. Repeat this step as needed until no product is discharged from relief valve.
6. If pressure gauge reads above 65 psi, change to a larger orifice. Go to step 2. Repeat steps.

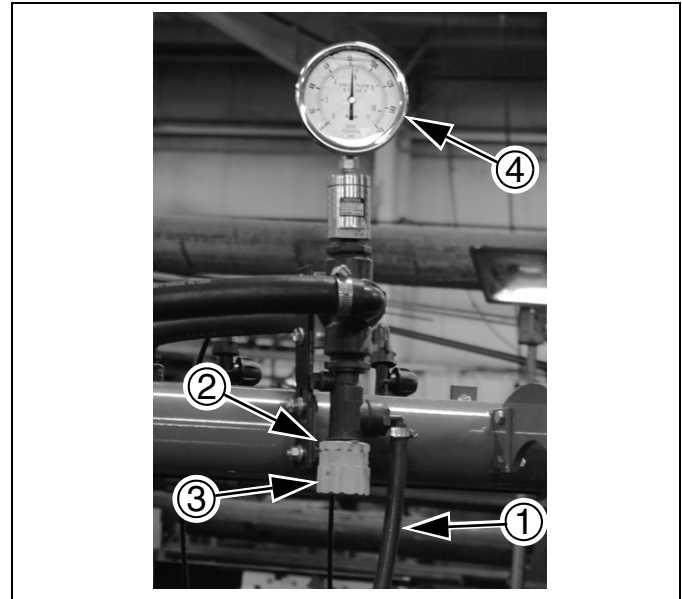


Figure 19
Pressure Relief Valve

28029

Strainer

Refer to Figure 20

A Banjo brand strainer is supplied with the fertilizer pump option. It is plumbed before the Hypro pump. The standard 80 mesh screen ⑤ should be suitable for most applications. Other screen sizes are available from Banjo Corporation.

Wear protective gloves when changing screens.

If changing screen sizes, keep in mind the following.

- A smaller mesh (100) will keep very small manifold orifice plates from plugging so often. However, the screen will have to be cleaned more often.
- A larger mesh (50) or (30) will pass more material but should only be considered when using large manifold orifice plates.
- A plugged or partially plugged screen will starve the pump resulting in a reduced application rate.
- Mesh sizes: (Smallest) 100, 80, 50, 30 (Largest)

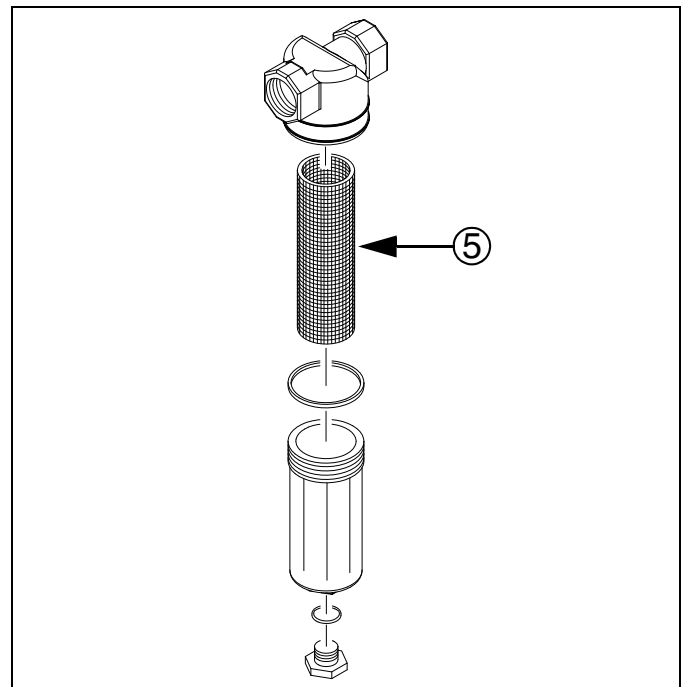


Figure 20
Strainer

18418



Appendix A - Seed Lubricants



29248



25477

Singulator Plus Meters (all seeds)

Ezee Glide Plus Talc-Graphite Mix

821-069C bucket, 5 gallon (19 liter)

Ezee Glide Plus Lubricant

To maximize performance of Great Plains metering systems, it is imperative to use only “Ezee Glide Plus” lubricant “Ezee Glide Plus” Talc-Graphite lubricant is mandatory for all seeds, especially treated or inoculated seed. *Thorough mixing of seed and added lubricant is required.*

Recommended usage:

For clean seeds other than milo and cotton sprinkle one cup of Ezee Glide Plus Talc per 4 bushels or units (170 ml per 100 liters) of seed.

For milo and cotton double the application to one cup (or more) per 2 bu or units (335 ml per 100 liters) of seed.

Adjust this rate as necessary so all seeds become coated while avoiding an accumulation of lubricant in the bottom of the hopper.

For seed with excessive treatment, or for humid planting environments, increase the rate as needed for smooth meter operation.

Irritation and Chronic Exposure Hazard:

Wear gloves. DO NOT use hands or any part of your body to mix seed lubricant. Wear a respirator when transferring and mixing. Avoid breathing lubricant dust. Not an acute hazard. May cause mechanical eye or skin irritation in high concentrations. As with all mineral spills, minimize dusting during clean-up. Prolonged inhalation may cause lung injury. Product can become slippery when wet.

Finger Pickup Meters

EZ-Slide Graphite Powder

821-042C bottle, 1 pound (450 grams)

821-060C jug, 5 pound (2.3 kg)

For Finger Pick Up Meters Only

Use only approved Graphite Powder available from Great Plains Mfg. Inc. or Precision Planting to ensure proper lubrication of finger pickup corn seed meters.

Recommended usage:

For finger pickup meters, add one tablespoon (15 ml) of graphite for each unit of seed corn (80,000 kernels).

In high humidity conditions, or seeds with heavy seed treatments, increase the application to two tbsp (30ml).

If delivery of seed from the hopper to the finger meter is an issue, add “Ezee Glide Plus” talc and graphite blend at a rate of one cup (237ml) per 4 units of seed.

Irritation and Chronic Exposure Hazard:

Wear gloves. DO NOT use hands or any part of your body to mix seed lubricant. Wear a respirator when transferring and mixing. Avoid breathing lubricant dust. Not an acute hazard. May cause mechanical eye or skin irritation in high concentrations. As with all mineral spills, minimize dusting during clean-up. Prolonged inhalation may cause lung injury.



Appendix B - Metric Charts

Seed Spacing - Metric

Plant Population (seeds/ha)	Row Spacings											
		<i>Twin Row</i> 70cm	<i>Twin Row</i> 76.2cm	<i>Twin Row</i> 91.4cm	<i>Twin Row</i> 96.5cm	<i>Twin Row</i> 101.6cm						
	25.4cm Rows	35cm Rows	38.1cm Rows			50.8cm Rows	55.9cm Rows	70cm Rows	76.2cm Rows	91.4cm Rows	96.5cm Rows	101.6cm Rows
	Seed Spacing (cm)											
34 594	113.8	82.6	75.9	63.2	59.9	56.9	51.7	41.3	37.9	31.6	29.9	28.5
37 064	106.2	77.1	70.8	59.0	55.9	53.1	48.3	38.5	35.4	29.5	28.0	26.6
39 535	99.6	72.3	66.4	55.3	52.4	49.8	45.3	36.1	33.2	27.7	26.2	24.9
42 006	93.7	68.0	62.5	52.1	49.3	46.9	42.6	34.0	31.2	26.0	24.7	23.4
44 477	88.5	64.2	59.0	49.2	46.6	44.3	40.2	32.1	29.5	24.6	23.3	22.1
46 948	83.9	60.9	55.9	46.6	44.1	41.9	38.1	30.4	28.0	23.3	22.1	21.0
49 419	79.7	57.8	53.1	44.3	41.9	39.8	36.2	28.9	26.6	22.1	21.0	19.9
51 890	75.9	55.1	50.6	42.1	39.9	37.9	34.5	27.5	25.3	21.1	20.0	19.0
54 361	72.4	52.6	48.3	40.2	38.1	36.2	32.9	26.3	24.1	20.1	19.1	18.1
56 832	69.3	50.3	46.2	38.5	36.5	34.6	31.5	25.1	23.1	19.2	18.2	17.3
59 303	66.4	48.2	44.3	36.9	34.9	33.2	30.2	24.1	22.1	18.4	17.5	16.6
61 774	63.7	46.2	42.5	35.4	33.5	31.9	29.0	23.1	21.2	17.7	16.8	15.9
64 245	61.3	44.5	40.9	34.0	32.3	30.6	27.9	22.2	20.4	17.0	16.1	15.3
66 716	59.0	42.8	39.3	32.8	31.1	29.5	26.8	21.4	19.7	16.4	15.5	14.8
69 187	56.9	41.3	37.9	31.6	29.9	28.5	25.9	20.6	19.0	15.8	15.0	14.2
71 658	54.9	39.9	36.6	30.5	28.9	27.5	25.0	19.9	18.3	15.3	14.5	13.7
74 129	53.1	38.5	35.4	29.5	28.0	26.6	24.1	19.3	17.7	14.8	14.0	13.3
76 600	51.4	37.3	34.3	28.6	27.1	25.7	23.4	18.6	17.1	14.3	13.5	12.8
79 071	49.8	36.1	33.2	27.7	26.2	24.9	22.6	18.1	16.6	13.8	13.1	12.4
81 542	48.3	35.0	32.2	26.8	25.4	24.1	21.9	17.5	16.1	13.4	12.7	12.1
84 013	46.9	34.0	31.2	26.0	24.7	23.4	21.3	17.0	15.6	13.0	12.3	11.7
86 484	45.5	33.0	30.3	25.3	24.0	22.8	20.7	16.5	15.2	12.6	12.0	11.4
88 955	44.3	32.1	29.5	24.6	23.3	22.1	20.1	16.1	14.8	12.3	11.6	11.1
91 426	43.1	31.2	28.7	23.9	22.7	21.5	19.6	15.6	14.4	12.0	11.3	10.8
93 897	41.9	30.4	28.0	23.3	22.1	21.0	19.1	15.2	14.0	11.6	11.0	10.5
96 368	40.9	29.6	27.2	22.7	21.5	20.4	18.6	14.8	13.6	11.3	10.8	10.2
98 839	39.8	28.9	26.6	22.1	21.0	19.9	18.1	14.5	13.3	11.1	10.5	10.0
101 310	38.9	28.2	25.9	21.6	20.5	19.4	17.7	14.1	13.0	10.8	10.2	9.7
103 781	37.9	27.5	25.3	21.1	20.0	19.0	17.2	13.8	12.6	10.5	10.0	9.5
106 252	37.1	26.9	24.7	20.6	19.5	18.5	16.8	13.4	12.4	10.3	9.8	9.3
108 723	36.2	26.3	24.1	20.1	19.1	18.1	16.5	13.1	12.1	10.1	9.5	9.1
111 193	35.4	25.7	23.6	19.7	18.6	17.7	16.1	12.8	11.8	9.8	9.3	8.9
113 664	34.6	25.1	23.1	19.2	18.2	17.3	15.7	12.6	11.5	9.6	9.1	8.7
116 135	33.9	24.6	22.6	18.8	17.8	16.9	15.4	12.3	11.3	9.4	8.9	8.5
118 606	33.2	24.1	22.1	18.4	17.5	16.6	15.1	12.0	11.1	9.2	8.7	8.3
121 077	32.5	23.6	21.7	18.1	17.1	16.3	14.8	11.8	10.8	9.0	8.6	8.1
123 548	31.9	23.1	21.2	17.7	16.8	15.9	14.5	11.6	10.6	8.9	8.4	8.0

32321A

Seed Spacing - Metric (cont.)

Plant Population (seeds/ha)	Row Spacings											
		<i>Twin Row</i> 70cm	<i>Twin Row</i> 76.2cm	<i>Twin Row</i> 91.4cm	<i>Twin Row</i> 96.5cm	<i>Twin Row</i> 101.6cm						
	25.4cm Rows	35cm Rows	38.1cm Rows			50.8cm Rows	55.9cm Rows	70cm Rows	76.2cm Rows	91.4cm Rows	96.5cm Rows	101.6cm Rows
	Seed Spacing (cm)											
123 548	31.9	23.1	21.2	17.7	16.8	15.9	14.5	11.6	10.6	8.9	8.4	8.0
135 903	29.0	21.0	19.3	16.1	15.2	14.5	13.2	10.5	9.7	8.0	7.6	7.2
148 258	26.6	19.3	17.7	14.8	14.0	13.3	12.1	9.6	8.9	7.4	7.0	6.6
160 613	24.5	17.8	16.3	13.6	12.9	12.3	11.1	8.9	8.2	6.8	6.5	6.1
172 968	22.8	16.5	15.2	12.6	12.0	11.4	10.3	8.3	7.6	6.3	6.0	5.7
185 322	21.2	15.4	14.2	11.8	11.2	10.6	9.7	7.7	7.1	5.9	5.6	5.3
197 677	19.9	14.5	13.3	11.1	10.5	10.0	9.1	7.2	6.6	5.5	5.2	5.0
210 032	18.7	13.6	12.5	10.4	9.9	9.4	8.5	6.8	6.2	5.2	4.9	4.7
222 387	17.7	12.8	11.8	9.8	9.3	8.9	8.0	6.4	5.9	4.9	4.7	4.4
234 742	16.8	12.2	11.2	9.3	8.8	8.4	7.6	6.1	5.6	4.7	4.4	4.2
247 097	15.9	11.6	10.6	8.9	8.4	8.0	7.2	5.8	5.3	4.4	4.2	4.0
259 451	15.2	11.0	10.1	8.4	8.0	7.6	6.9	5.5	5.1	4.2	4.0	3.8
271 806	14.5	10.5	9.7	8.0	7.6	7.2	6.6	5.3	4.8	4.0	3.8	3.6
284 161	13.9	10.1	9.2	7.7	7.3	6.9	6.3	5.0	4.6	3.8	3.6	3.5
296 516	13.3	9.6	8.9	7.4	7.0	6.6	6.0	4.8	4.4	3.7	3.5	3.3
308 871	12.7	9.2	8.5	7.1	6.7	6.4	5.8	4.6	4.2	3.5	3.4	3.2
321 226	12.3	8.9	8.2	6.8	6.5	6.1	5.6	4.4	4.1	3.4	3.2	3.1
333 580	11.8	8.6	7.9	6.6	6.2	5.9	5.4	4.3	3.9	3.3	3.1	3.0
345 935	11.4	8.3	7.6	6.3	6.0	5.7	5.2	4.1	3.8	3.2	3.0	2.8
358 290	11.0	8.0	7.3	6.1	5.8	5.5	5.0	4.0	3.7	3.1	2.9	2.7
370 645	10.6	7.7	7.1	5.9	5.6	5.3	4.8	3.9	3.5	3.0	2.8	2.7
383 000	10.3	7.5	6.9	5.7	5.4	5.1	4.7	3.7	3.4	2.9	2.7	2.6
395 355	10.0	7.2	6.6	5.5	5.2	5.0	4.5	3.6	3.3	2.8	2.6	2.5
407 709	9.7	7.0	6.4	5.4	5.1	4.8	4.4	3.5	3.2	2.7	2.5	2.4
420 064	9.4	6.8	6.2	5.2	4.9	4.7	4.3	3.4	3.1	2.6	2.5	2.3
432 419	9.1	6.6	6.1	5.1	4.8	4.6	4.1	3.3	3.0	2.5	2.4	2.3
444 774	8.9	6.4	5.9	4.9	4.7	4.4	4.0	3.2	3.0	2.5	2.3	2.2
457 129	8.6	6.2	5.7	4.8	4.5	4.3	3.9	3.1	2.9	2.4	2.3	2.2
469 484	8.4	6.1	5.6	4.7	4.4	4.2	3.8	3.0	2.8	2.3	2.2	2.1
481 838	8.2	5.9	5.4	4.5	4.3	4.1	3.7	3.0	2.7	2.3	2.2	2.0
494 193	8.0	5.8	5.3	4.4	4.2	4.0	3.6	2.9	2.7	2.2	2.1	2.0
555 967	7.1	5.1	4.7	3.9	3.7	3.5	3.2	2.6	2.4	2.0	1.9	1.8
617 742	6.4	4.6	4.2	3.5	3.4	3.2	2.9	2.3	2.1	1.8	1.7	1.6
679 516	5.8	4.2	3.9	3.2	3.0	2.9	2.6	2.1	1.9	1.6	1.5	1.4
741 290	5.3	3.9	3.5	3.0	2.8	2.7	2.4	1.9	1.8	1.5	1.4	1.3

32321B

Furrow Check - Metric

For furrow sample lengths in U.S. customary units, see page 6.

Sprocket Indexing Charts - Metric

1. For: your 6- or 12-finger meter, and your twin row spacing (76.2cm on this page) find your seed rate in the Population column, or your seed spacing in the Seed Spacing column. Seed spacing is seed-to-seed within a single row of a twin row pair.
2. At the front/forward row unit of a pair, set the driven (final) sprocket of the meter drive so that tooth stamped #1 is straight up (TDC, 12:00 position).
3. At the rear/trailing row unit of the pair, set the driven sprocket so that the tooth number at "Rear Meter" is in the straight up 12:00 position.

NOTICE

These are NOT seed rate or seed spacing charts. These are charts for staggering seed spacing between the rows of a twin row.

Note: For adjusting spacing between rows of the pair, see "**Indexing Fine Adjustment**" on page 50.

NOTICE

Verify the 12:00 sprocket tooth position with the top length of chain taut.

Rows to Sample Row Spacing*	Row Count	Length of Sample 1/1000th Hectare
19.1 cm (7.5in Single)	4	13.12 m
20.3 cm (8in Single)	4	12.30 m
24.1 cm (9.5in Single)	4	10.36 m
25.4 cm (10in Single)	2	19.69 m
35 cm Single	2	14.29 m
38.1 cm (15in Single)	2	13.12 m
50.8 cm (20in Single)	1	19.69 m
55.9 cm (22in Single)	1	17.90 m
70 cm Single	1	14.29 m
75 cm Single	1	13.33 m
76.2 cm (30in Single)	1	13.12 m
91.4 cm (36in Single)	1	10.94 m
96.5 cm (38in Single)	1	10.36 m
101.6 cm (40in Single)	1	9.84 m
70 cm Twin	1 pair	7.14 m
75 cm Twin	1 pair	6.67 m
76.2 cm (30in Twin)	1 pair	6.56 m
91.4 cm (36in Twin)	1 pair	5.47 m
96.5 cm (38in Twin)	1 pair	5.18 m
101.6 cm (40in Twin)	1 pair	4.92 m

* Not all spacings may be offered on implements covered by this manual.

31982

76.2cm Twin Row Sprocket Indexing

6 Finger Meter Twin Row Sprocket Indexing			
76.2cm (30in) Twin Row		Set Sprocket to Tooth Number on ..	
Population Seeds per Hectare	Single Row Seed Spacing (cm)	Front Meter	Rear Meter
38 795 to 42 748	67.6 to 61.5	1	4
42 748 to 46 455	61.5 to 56.4	1	7
46 455 to 50 408	56.4 to 52.1	1	10
50 408 to 54 362	52.1 to 48.3	1	13
54 362 to 58 316	48.3 to 45.0	1	16
58 316 to 61 775	45.0 to 42.4	1	19
61 775 to 65 729	42.4 to 39.9	1	3
65 729 to 69 929	39.9 to 37.6	1	6
69 929 to 73 883	37.6 to 35.6	1	9
73 883 to 77 837	35.6 to 33.8	1	12
77 837 to 81 543	33.8 to 32.3	1	15
81 543 to 85 744	32.3 to 30.7	1	18
85 744 to 89 450	30.7 to 29.5	1	2
89 450 to 93 404	29.5 to 28.2	1	5
93 404 to 97 110	28.2 to 26.9	1	8
97 110 to 100 817	26.9 to 26.2	1	11
100 817 to 105 018	26.2 to 24.9	1	14
105 018 to 108 724	24.9 to 24.1	1	17
108 724 to 112 183	24.1 to 23.4	1	1
112 183 to 116 137	23.4 to 22.6	1	4
116 137 to 120 091	22.6 to 21.8	1	7
120 091 to 124 538	21.8 to 21.1	1	10
124 538 to 127 998	21.1 to 20.6	1	13
127 998 to 131 704	20.6 to 19.8	1	16

32437A

12 Finger Meter Twin Row Sprocket Indexing			
76.2cm (30) Twin Row		Set Sprocket to Tooth Number on ..	
Population Seeds per Hectare	Single Row Seed Spacing (cm)	Front Meter	Rear Meter
65 729 to 69 929	39.9 to 37.6	1	4
69 929 to 73 883	37.6 to 35.6	1	7
73 883 to 77 837	35.6 to 33.8	1	10
77 837 to 81 543	33.8 to 32.3	1	13
81 543 to 85 744	32.3 to 30.7	1	16
85 744 to 89 450	30.7 to 29.5	1	19
89 450 to 93 404	29.5 to 28.2	1	3
93 404 to 97 110	28.2 to 26.9	1	6
97 110 to 100 817	26.9 to 26.2	1	9
100 817 to 105 018	26.2 to 24.9	1	12
105 018 to 108 724	24.9 to 24.1	1	15
108 724 to 112 183	24.1 to 23.4	1	18
112 183 to 116 137	23.4 to 22.6	1	2
116 137 to 120 091	22.6 to 21.8	1	5
120 091 to 124 538	21.8 to 21.1	1	8
124 538 to 127 998	21.1 to 20.6	1	11
127 998 to 131 704	20.6 to 20.1	1	14
131 704 to 135 905	20.1 to 19.3	1	17
135 905 to 139 859	19.3 to 18.8	1	1
139 859 to 143 812	18.8 to 18.3	1	4
143 812 to 147 519	18.3 to 17.8	1	7
147 519 to 151 472	17.8 to 17.3	1	10
151 472 to 155 426	17.3 to 17.0	1	13
155 426 to 159 132	17.0 to 16.5	1	16

32437B

91.4cm Twin Row Sprocket Indexing

NOTICE

These are NOT seed rate or seed spacing charts. These are charts for staggering seed spacing between the rows of a twin row.

Note: For adjusting spacing between rows of the pair, see “Indexing Fine Adjustment” on page 50.

NOTICE

Verify the 12:00 sprocket tooth position with the top length of chain taut.

6 Finger Meter Twin Row Sprocket Indexing

91.4cm (36in) Twin Row		Set Sprocket to Tooth Number on ..	
Population Seeds per Hectare	Single Row Seed Spacing (cm)	Front Meter	Rear Meter

32 370 to 35 582	67.6 to 61.5	1	4
35 582 to 38 795	61.5 to 56.4	1	7
38 795 to 42 007	56.4 to 52.1	1	10
42 007 to 45 219	52.1 to 48.3	1	13
45 219 to 48 679	48.3 to 45.0	1	16
48 679 to 51 644	45.0 to 42.4	1	19
51 644 to 54 856	42.4 to 39.9	1	3
54 856 to 58 316	39.9 to 37.6	1	6
58 316 to 61 528	37.6 to 35.6	1	9
61 528 to 64 740	35.6 to 33.8	1	12
64 740 to 67 953	33.8 to 32.3	1	15
67 953 to 71 412	32.3 to 30.7	1	18
71 412 to 74 624	30.7 to 29.5	1	2
74 624 to 77 837	29.5 to 28.2	1	5
77 837 to 81 049	28.2 to 26.9	1	8
81 049 to 84 014	26.9 to 26.2	1	11
84 014 to 87 473	26.2 to 24.9	1	14
87 473 to 90 686	24.9 to 24.1	1	17
90 686 to 93 404	24.1 to 23.4	1	1
93 404 to 96 863	23.4 to 22.6	1	4
96 863 to 100 076	22.6 to 21.8	1	7
100 076 to 103 782	21.8 to 21.1	1	10
103 782 to 106 747	21.1 to 20.6	1	13
106 747 to 109 712	20.6 to 19.8	1	16

32437C

12 Finger Meter Twin Row Sprocket Indexing

91.4cm (36) Twin Row		Set Sprocket to Tooth Number on ..	
Population Seeds per Hectare	Single Row Seed Spacing (cm)	Front Meter	Rear Meter

54 856 to 58 316	39.9 to 37.6	1	4
58 316 to 61 528	37.6 to 35.6	1	7
61 528 to 64 740	35.6 to 33.8	1	10
64 740 to 67 953	33.8 to 32.3	1	13
67 953 to 71 412	32.3 to 30.7	1	16
71 412 to 74 624	30.7 to 29.5	1	19
74 624 to 77 837	29.5 to 28.2	1	3
77 837 to 81 049	28.2 to 26.9	1	6
81 049 to 84 014	26.9 to 26.2	1	9
84 014 to 87 473	26.2 to 24.9	1	12
87 473 to 90 686	24.9 to 24.1	1	15
90 686 to 93 404	24.1 to 23.4	1	18
93 404 to 96 863	23.4 to 22.6	1	2
96 863 to 100 076	22.6 to 21.8	1	5
100 076 to 103 782	21.8 to 21.1	1	8
103 782 to 106 747	21.1 to 20.6	1	11
106 747 to 109 712	20.6 to 20.1	1	14
109 712 to 113 419	20.1 to 19.3	1	17
113 419 to 116 631	19.3 to 18.8	1	1
116 631 to 119 844	18.8 to 18.3	1	4
119 844 to 123 056	18.3 to 17.8	1	7
123 056 to 126 268	17.8 to 17.3	1	10
126 268 to 129 480	17.3 to 17.0	1	13
129 480 to 132 693	17.0 to 16.5	1	16

32437D

Singulator Plus™ RPM Limits

**Cotton
120 Cell Wheel**

Ezee Glide Plus Required

(Black Wheels)

403-078D	8800-10100 seeds/kg
403-077D	10100-11450 seeds/kg
403-076D	11450-13200 seeds/kg

(Green Wheels)

403-133D	8800-10100 seeds/kg
403-134D	10100-11450 seeds/kg
403-135D	11450-13200 seeds/kg

		Planting Speed (kph)	Maximum Population (seeds/ha)	Minimum Population (seeds/ha)
25.4cm Rows		6.4	968 718	220 163
Max rpm	Min rpm	8.0	774 974	176 130
22	5	8.9	704 522	160 119
		9.7	645 812	146 775
		10.5	596 134	135 485
		11.3	553 553	125 807

		Planting Speed (kph)	Maximum Population (seeds/ha)	Minimum Population (seeds/ha)
55.9cm Rows		6.4	440 326	100 074
Max rpm	Min rpm	8.0	352 261	80 059
22	5	8.9	320 237	72 781
		9.7	293 551	66 716
		10.5	270 970	61 584
		11.3	251 615	57 185

Twin Row 70cm		6.4	702 478	159 654
35cm Rows		8.0	561 983	127 723
Max rpm	Min rpm	8.9	510 893	116 112
22	5	9.7	468 319	106 436
		10.5	432 294	98 249
		11.3	401 416	91 231

70cm Rows		6.4	351 239	79 827
Max rpm	Min rpm	8.0	280 991	63 862
22	5	8.9	255 447	58 056
		9.7	234 159	53 218
		10.5	216 147	49 124
		11.3	200 708	45 615

Twin Row 76.2cm		6.4	645 812	146 775
38.1cm Rows		8.0	516 649	117 420
Max rpm	Min rpm	8.9	469 681	106 746
22	5	9.7	430 541	97 850
		10.5	397 423	90 323
		11.3	369 035	83 872

76.2cm Rows		6.4	322 906	73 388
Max rpm	Min rpm	8.0	258 325	58 710
22	5	8.9	234 841	53 373
		9.7	215 271	48 925
		10.5	198 711	45 162
		11.3	184 518	41 936

Twin Row 91.4cm		6.4	538 176	122 313
Max rpm	Min rpm	8.0	430 541	97 850
22	5	8.9	391 401	88 955
		9.7	358 784	81 542
		10.5	331 185	75 269
		11.3	307 529	69 893

91.4cm Rows		6.4	269 088	61 156
Max rpm	Min rpm	8.0	215 271	48 925
22	5	8.9	195 701	44 477
		9.7	179 392	40 771
		10.5	165 593	37 635
		11.3	153 765	34 947

Twin Row 96.5cm		6.4	509 851	115 875
Max rpm	Min rpm	8.0	407 881	92 700
22	5	8.9	370 801	84 273
		9.7	339 901	77 250
		10.5	313 755	71 308
		11.3	291 344	66 214

96.5cm Rows		6.4	254 926	57 938
Max rpm	Min rpm	8.0	203 941	46 350
22	5	8.9	185 400	42 136
		9.7	169 950	38 625
		10.5	156 877	35 654
		11.3	145 672	33 107

Twin Row 101.6cm		6.4	484 359	110 082
50.8cm Rows		8.0	387 487	88 065
Max rpm	Min rpm	8.9	352 261	80 059
22	5	9.7	322 906	73 388
		10.5	298 067	67 742
		11.3	276 776	62 904

101.6cm Rows		6.4	242 179	55 041
Max rpm	Min rpm	8.0	193 744	44 033
22	5	8.9	176 130	40 030
		9.7	161 453	36 694
		10.5	149 033	33 871
		11.3	138 388	31 452

32819L

Singulator Plus™ RPM Limits

**Milo
102 Cell Wheel**

Ezee Glide Plus Required

(Black Wheels)

(Green Wheels)

403-093D 23100-39700 seeds/kg

403-137D 23100-39700 seeds/kg

		Planting Speed (kph)	Maximum Population (seeds/ha)	Minimum Population (seeds/ha)
25.4cm Rows		6.4	748 554	187 139
Max	Min	8.0	598 844	149 711
rpm	rpm	8.9	544 403	136 101
20	5	9.7	499 036	124 759
		10.5	460 649	115 162
		11.3	427 745	106 936
Twin Row 70cm		6.4	542 824	135 706
35cm Rows		8.0	434 259	108 565
Max	Min	8.9	394 781	98 695
rpm	rpm	9.7	361 883	90 471
20	5	10.5	334 046	83 511
		11.3	310 185	77 546
Twin Row 76.2cm		6.4	499 036	124 759
38.1cm Rows		8.0	399 229	99 807
Max	Min	8.9	362 936	90 734
rpm	rpm	9.7	332 691	83 173
20	5	10.5	307 099	76 775
		11.3	285 164	71 291
Twin Row 91.4cm		6.4	415 864	103 966
Max	Min	8.0	332 691	83 173
rpm	rpm	8.9	302 446	75 612
20	5	9.7	277 242	69 311
		10.5	255 916	63 979
		11.3	237 636	59 409
Twin Row 96.5cm		6.4	393 976	98 494
Max	Min	8.0	315 181	78 795
rpm	rpm	8.9	286 528	71 632
20	5	9.7	262 651	65 663
		10.5	242 447	60 612
		11.3	225 129	56 282
Twin Row 101.6cm		6.4	374 277	93 569
50.8cm Rows		8.0	299 422	74 855
Max	Min	8.9	272 202	68 050
rpm	rpm	9.7	249 518	62 380
20	5	10.5	230 324	57 581
		11.3	213 873	53 468

		Planting Speed (kph)	Maximum Population (seeds/ha)	Minimum Population (seeds/ha)
55.9cm Rows		6.4	340 252	85 063
Max	Min	8.0	272 202	68 050
rpm	rpm	8.9	247 456	61 864
20	5	9.7	226 835	56 709
		10.5	209 386	52 346
		11.3	194 430	48 607
70cm Rows		6.4	271 412	67 853
Max	Min	8.0	217 130	54 282
rpm	rpm	8.9	197 391	49 348
20	5	9.7	180 941	45 235
		10.5	167 023	41 756
		11.3	155 093	38 773
76.2cm Rows		6.4	249 518	62 380
Max	Min	8.0	199 615	49 904
rpm	rpm	8.9	181 468	45 367
20	5	9.7	166 345	41 586
		10.5	153 550	38 387
		11.3	142 582	35 645
91.4cm Rows		6.4	207 932	51 983
Max	Min	8.0	166 345	41 586
rpm	rpm	8.9	151 223	37 806
20	5	9.7	138 621	34 655
		10.5	127 958	31 990
		11.3	118 818	29 705
96.5cm Rows		6.4	196 988	49 247
Max	Min	8.0	157 590	39 398
rpm	rpm	8.9	143 264	35 816
20	5	9.7	131 325	32 831
		10.5	121 223	30 306
		11.3	112 565	28 141
101.6cm Rows		6.4	187 139	46 785
Max	Min	8.0	149 711	37 428
rpm	rpm	8.9	136 101	34 025
20	5	9.7	124 759	31 190
		10.5	115 162	28 791
		11.3	106 936	26 734

32819M

Singulator Plus™ RPM Limits

**Milo
135 Cell Wheel**

Ezee Glide Plus Required

(Black Wheels)

403-081D	26400-39700 seeds/kg
403-090D	23100-30800 seeds/kg

(Green Wheels)

403-140D	26400-39700 seeds/kg
403-138D	23100-30800 seeds/kg

	Planting Speed (kph)	Maximum Population (seeds/ha)	Minimum Population (seeds/ha)
25.4cm Rows	6.4	990 734	247 683
Max rpm	8.0	792 587	198 147
Min rpm	8.9	720 534	180 133
20	9.7	660 489	165 122
5	10.5	609 682	152 421
	11.3	566 134	141 533

	Planting Speed (kph)	Maximum Population (seeds/ha)	Minimum Population (seeds/ha)
55.9cm Rows	6.4	450 334	112 583
Max rpm	8.0	360 267	90 067
Min rpm	8.9	327 515	81 879
20	9.7	300 222	75 056
5	10.5	277 128	69 282
	11.3	257 333	64 333

Twin Row 70cm	6.4	718 444	179 611
35cm Rows	8.0	574 755	143 689
Max rpm	8.9	522 505	130 626
Min rpm	9.7	478 962	119 741
20	10.5	442 119	110 530
5	11.3	410 539	102 635

70cm Rows	6.4	359 222	89 805
Max rpm	8.0	287 377	71 844
Min rpm	8.9	261 252	65 313
20	9.7	239 481	59 870
5	10.5	221 060	55 265
	11.3	205 270	51 317

Twin Row 76.2cm	6.4	660 489	165 122
38.1cm Rows	8.0	528 391	132 098
Max rpm	8.9	480 356	120 089
Min rpm	9.7	440 326	110 082
20	10.5	406 455	101 614
5	11.3	377 422	94 356

76.2cm Rows	6.4	330 245	82 561
Max rpm	8.0	264 196	66 049
Min rpm	8.9	240 178	60 044
20	9.7	220 163	55 041
5	10.5	203 227	50 807
	11.3	188 711	47 178

Twin Row 91.4cm	6.4	550 408	137 602
Max rpm	8.0	440 326	110 082
Min rpm	8.9	400 297	100 074
20	9.7	366 938	91 735
5	10.5	338 712	84 678
	11.3	314 519	78 630

91.4cm Rows	6.4	275 204	68 801
Max rpm	8.0	220 163	55 041
Min rpm	8.9	200 148	50 037
20	9.7	183 469	45 867
5	10.5	169 356	42 339
	11.3	157 259	39 315

Twin Row 96.5cm	6.4	521 439	130 360
Max rpm	8.0	417 151	104 288
Min rpm	8.9	379 228	94 807
20	9.7	347 626	86 906
5	10.5	320 885	80 221
	11.3	297 965	74 491

96.5cm Rows	6.4	260 719	65 180
Max rpm	8.0	208 576	52 144
Min rpm	8.9	189 614	47 404
20	9.7	173 813	43 453
5	10.5	160 443	40 111
	11.3	148 983	37 246

Twin Row 101.6cm	6.4	495 367	123 842
50.8cm Rows	8.0	396 294	99 073
Max rpm	8.9	360 267	90 067
Min rpm	9.7	330 245	82 561
20	10.5	304 841	76 210
5	11.3	283 067	70 767

101.6cm Rows	6.4	247 683	61 921
Max rpm	8.0	198 147	49 537
Min rpm	8.9	180 133	45 033
20	9.7	165 122	41 281
5	10.5	152 421	38 105
	11.3	141 533	35 383

32819N

Singulator Plus™ RPM Limits

(Black Wheels)

403-082D	26400-39700 seeds/kg
403-091D	23100-30800 seeds/kg

**Milo
270 Cell Wheel**

(Green Wheels)

403-141D	26400-39700 seeds/kg
403-139D	23100-30800 seeds/kg

Ezee Glide Plus Required

		Planting Speed (kph)	Maximum Population (seeds/ha)	Minimum Population (seeds/ha)
25.4cm Rows		6.4	1 981 468	495 367
Max rpm	Min rpm	8.0	1 585 174	396 294
20	5	8.9	1 441 067	360 267
		9.7	1 320 979	330 245
		10.5	1 219 365	304 841
		11.3	1 132 267	283 067
Twin Row 70cm		6.4	1 436 887	359 222
35cm Rows		8.0	1 149 510	287 377
Max rpm	Min rpm	8.9	1 045 009	261 252
20	5	9.7	957 925	239 481
		10.5	884 238	221 060
		11.3	821 079	205 270
Twin Row 76.2cm		6.4	1 320 979	330 245
38.1cm Rows		8.0	1 056 783	264 196
Max rpm	Min rpm	8.9	960 712	240 178
20	5	9.7	880 652	220 163
		10.5	812 910	203 227
		11.3	754 845	188 711
Twin Row 91.4cm		6.4	1 100 815	275 204
Max rpm	Min rpm	8.0	880 652	220 163
20	5	8.9	800 593	200 148
		9.7	733 877	183 469
		10.5	677 425	169 356
		11.3	629 037	157 259
Twin Row 96.5cm		6.4	1 042 878	260 719
Max rpm	Min rpm	8.0	834 302	208 576
20	5	8.9	758 457	189 614
		9.7	695 252	173 813
		10.5	641 771	160 443
		11.3	595 930	148 983
Twin Row 101.6cm		6.4	990 734	247 683
50.8cm Rows		8.0	792 587	198 147
Max rpm	Min rpm	8.9	720 534	180 133
20	5	9.7	660 489	165 122
		10.5	609 682	152 421
		11.3	566 134	141 533

		Planting Speed (kph)	Maximum Population (seeds/ha)	Minimum Population (seeds/ha)
55.9cm Rows		6.4	900 667	225 167
Max rpm	Min rpm	8.0	720 534	180 133
20	5	8.9	655 031	163 758
		9.7	600 445	150 111
		10.5	554 257	138 564
		11.3	514 667	128 667
70cm Rows		6.4	718 444	179 611
Max rpm	Min rpm	8.0	574 755	143 689
20	5	8.9	522 505	130 626
		9.7	478 962	119 741
		10.5	442 119	110 530
		11.3	410 539	102 635
76.2cm Rows		6.4	660 489	165 122
Max rpm	Min rpm	8.0	528 391	132 098
20	5	8.9	480 356	120 089
		9.7	440 326	110 082
		10.5	406 455	101 614
		11.3	377 422	94 356
91.4cm Rows		6.4	550 408	137 602
Max rpm	Min rpm	8.0	440 326	110 082
20	5	8.9	400 297	100 074
		9.7	366 938	91 735
		10.5	338 712	84 678
		11.3	314 519	78 630
96.5cm Rows		6.4	521 439	130 360
Max rpm	Min rpm	8.0	417 151	104 288
20	5	8.9	379 228	94 807
		9.7	347 626	86 906
		10.5	320 885	80 221
		11.3	297 965	74 491
101.6cm Rows		6.4	495 367	123 842
Max rpm	Min rpm	8.0	396 294	99 073
20	5	8.9	360 267	90 067
		9.7	330 245	82 561
		10.5	304 841	76 210
		11.3	283 067	70 767

32819P

Singulator Plus™ RPM Limits

**Soybean
100 Cell Wheel**

Ezee Glide Plus Required

(Black Wheels)

(Green Wheels)

403-071D 3750-4850 seeds/kg

403-122D 3750-4850 seeds/kg

	Planting Speed (kph)	Maximum Population (seeds/ha)	Minimum Population (seeds/ha)
25.4cm Rows	6.4	1 210 897	183 469
Max rpm	8.0	968 718	146 775
Min rpm	8.9	880 652	133 432
33	9.7	807 265	122 313
	10.5	745 167	112 904
	11.3	691 941	104 840
Twin Row 70cm	6.4	878 098	133 045
35cm Rows	8.0	702 478	106 436
Max rpm	8.9	638 617	96 760
Min rpm	9.7	585 399	88 697
33	10.5	540 368	81 874
	11.3	501 770	76 026
Twin Row 76.2cm	6.4	807 265	122 313
38.1cm Rows	8.0	645 812	97 850
Max rpm	8.9	587 102	88 955
Min rpm	9.7	538 176	81 542
33	10.5	496 778	75 269
	11.3	461 294	69 893
Twin Row 91.4cm	6.4	672 721	101 927
Max rpm	8.0	538 176	81 542
Min rpm	8.9	489 251	74 129
33	9.7	448 480	67 952
	10.5	413 982	62 725
	11.3	384 412	58 244
Twin Row 96.5cm	6.4	637 314	96 563
Max rpm	8.0	509 851	77 250
Min rpm	8.9	463 501	70 227
33	9.7	424 876	64 375
	10.5	392 193	59 423
	11.3	364 180	55 179
Twin Row 101.6cm	6.4	605 448	91 735
50.8cm Rows	8.0	484 359	73 388
Max rpm	8.9	440 326	66 716
Min rpm	9.7	403 632	61 156
33	10.5	372 584	56 452
	11.3	345 971	52 420

	Planting Speed (kph)	Maximum Population (seeds/ha)	Minimum Population (seeds/ha)
55.9cm Rows	6.4	550 408	83 395
Max rpm	8.0	440 326	66 716
Min rpm	8.9	400 297	60 651
33	9.7	366 938	55 597
	10.5	338 712	51 320
	11.3	314 519	47 654
70cm Rows	6.4	439 049	66 523
Max rpm	8.0	351 239	53 218
Min rpm	8.9	319 308	48 380
33	9.7	292 699	44 348
	10.5	270 184	40 937
	11.3	250 885	38 013
76.2cm Rows	6.4	403 632	61 156
Max rpm	8.0	322 906	48 925
Min rpm	8.9	293 551	44 477
33	9.7	269 088	40 771
	10.5	248 389	37 635
	11.3	230 647	34 947
91.4cm Rows	6.4	336 360	50 964
Max rpm	8.0	269 088	40 771
Min rpm	8.9	244 626	37 064
33	9.7	224 240	33 976
	10.5	206 991	31 362
	11.3	192 206	29 122
96.5cm Rows	6.4	318 657	48 281
Max rpm	8.0	254 926	38 625
Min rpm	8.9	231 751	35 114
33	9.7	212 438	32 188
	10.5	196 097	29 712
	11.3	182 090	27 589
101.6cm Rows	6.4	302 724	45 867
Max rpm	8.0	242 179	36 694
Min rpm	8.9	220 163	33 358
33	9.7	201 816	30 578
	10.5	186 292	28 226
	11.3	172 985	26 210

32819Q

Singulator Plus™ RPM Limits

**Soybean
110 Cell Wheel**

Ezee Glide Plus Required

(Black Wheels)

		Planting Speed (kph)	Maximum Population (seeds/ha)	Minimum Population (seeds/ha)
403-070D		4850-5950 seeds/kg		
403-061D		5950-7050 seeds/kg		
403-066D		6800-8400 seeds/kg		
403-068D		7950-8800 seeds/kg		
25.4cm Rows				
		6.4	1 493 440	201 816
Max	Min	8.0	1 194 752	161 453
rpm	rpm	8.9	1 086 138	146 775
37	5	9.7	995 626	134 544
		10.5	919 040	124 195
		11.3	853 394	115 324
Twin Row 70cm				
		6.4	1 082 987	146 350
35cm Rows				
		8.0	866 390	117 080
Max	Min	8.9	787 627	106 436
rpm	rpm	9.7	721 992	97 566
37	5	10.5	666 454	90 061
		11.3	618 850	83 628
Twin Row 76.2cm				
		6.4	995 626	134 544
38.1cm Rows				
		8.0	796 501	107 635
Max	Min	8.9	724 092	97 850
rpm	rpm	9.7	663 751	89 696
37	5	10.5	612 693	82 796
		11.3	568 929	76 882
Twin Row 91.4cm				
		6.4	829 689	112 120
Max	Min	8.0	663 751	89 696
rpm	rpm	8.9	603 410	81 542
37	5	9.7	553 126	74 747
		10.5	510 578	68 997
		11.3	474 108	64 069
Twin Row 96.5cm				
		6.4	786 021	106 219
Max	Min	8.0	628 817	84 975
rpm	rpm	8.9	571 652	77 250
37	5	9.7	524 014	70 813
		10.5	483 705	65 366
		11.3	449 155	60 697
Twin Row 101.6cm				
		6.4	746 720	100 908
50.8cm Rows				
		8.0	597 376	80 726
Max	Min	8.9	543 069	73 388
rpm	rpm	9.7	497 813	67 272
37	5	10.5	459 520	62 097
		11.3	426 697	57 662

(Green Wheels)

		Planting Speed (kph)	Maximum Population (seeds/ha)	Minimum Population (seeds/ha)
403-123D		4850-5950 seeds/kg		
403-124D		5950-7050 seeds/kg		
403-125D		6800-8400 seeds/kg		
403-126D		7950-8800 seeds/kg		
55.9cm Rows				
		6.4	678 836	91 735
Max	Min	8.0	543 069	73 388
rpm	rpm	8.9	493 699	66 716
37	5	9.7	452 557	61 156
		10.5	417 745	56 452
		11.3	387 906	52 420
70cm Rows				
		6.4	541 494	73 175
Max	Min	8.0	433 195	58 540
rpm	rpm	8.9	393 814	53 218
37	5	9.7	360 996	48 783
		10.5	333 227	45 031
		11.3	309 425	41 814
76.2cm Rows				
		6.4	497 813	67 272
Max	Min	8.0	398 251	53 818
rpm	rpm	8.9	362 046	48 925
37	5	9.7	331 875	44 848
		10.5	306 347	41 398
		11.3	284 465	38 441
91.4cm Rows				
		6.4	414 844	56 060
Max	Min	8.0	331 875	44 848
rpm	rpm	8.9	301 705	40 771
37	5	9.7	276 563	37 373
		10.5	255 289	34 498
		11.3	237 054	32 034
96.5cm Rows				
		6.4	393 010	53 110
Max	Min	8.0	314 408	42 488
rpm	rpm	8.9	285 826	38 625
37	5	9.7	262 007	35 406
		10.5	241 853	32 683
		11.3	224 577	30 348
101.6cm Rows				
		6.4	373 360	50 454
Max	Min	8.0	298 688	40 363
rpm	rpm	8.9	271 534	36 694
37	5	9.7	248 907	33 636
		10.5	229 760	31 049
		11.3	213 349	28 831

32819R

Singulator Plus Ground Drive Charts - Metric

YP 1225 - 1625

120 Cell Wheel

403-133D - 8820-10150 seeds/kg

403-134D - 10150-11470 seeds/kg

403-135D - 11470-13230 seeds/kg

COTTON

TwinRow 76.2cm & 76.2cm Rows

Precision Meter

Ezee Glide Plus Required

Transmission Combinations		Seed Population (seeds/ha)	Twin Row 76.2cm	
Driving	Driven		Seed Spacing (cm)	Planting Speed (kph)
17	28	166 000	15.8	13
17	27	172 148	15.2	13
17	26	178 769	14.7	13
19	28	185 529	14.1	13
17	25	185 920	14.1	13
19	27	192 401	13.6	13
17	24	193 667	13.6	13
19	26	199 801	13.1	13
17	23	202 087	13.0	13
19	25	207 793	12.6	13
19	24	216 451	12.1	13
23	28	224 588	11.7	13
19	23	225 862	11.6	13
23	27	232 906	11.3	13
24	28	234 353	11.2	13
23	26	241 864	10.9	13
24	27	243 033	10.8	13
25	28	244 118	10.8	13
17	19	244 632	10.7	13
23	25	251 539	10.4	13
24	26	252 380	10.4	13
25	27	253 159	10.4	13
26	28	253 882	10.3	13
23	24	262 020	10.0	13
24	25	262 475	10.0	13
25	26	262 896	10.0	13
26	27	263 285	10.0	13
27	28	263 647	10.0	13
23	23	273 412	9.6	13
28	27	283 538	9.3	13
27	26	283 928	9.2	13
26	25	284 348	9.2	13
25	24	284 804	9.2	13
24	23	285 299	9.2	13
28	26	294 443	8.9	13
27	25	295 285	8.9	13
26	24	296 196	8.9	13
25	23	297 187	8.8	13
19	17	305 578	8.6	13
28	25	306 221	8.6	13
27	24	307 588	8.5	13
26	23	309 074	8.5	13
28	24	318 980	8.2	13
27	23	320 962	8.2	13
23	19	330 972	7.9	11
28	23	332 849	7.9	11
24	19	345 362	7.6	11
25	19	359 752	7.3	11
23	17	369 910	7.1	10
26	19	374 142	7.0	10
24	17	385 993	6.8	10
27	19	388 533	6.8	10
25	17	402 076	6.5	10
28	19	402 923	6.5	10
26	17	418 159	6.3	10
27	17	434 242	6.0	8
28	17	450 325	5.8	8

Seed Population (seeds/ha)	76.2cm Rows	
	Seed Spacing (cm)	Planting Speed (kph)
83 000	15.8	13
86 074	15.2	13
89 385	14.7	13
92 765	14.1	13
92 960	14.1	13
96 200	13.6	13
96 833	13.6	13
99 900	13.1	13
101 043	13.0	13
103 896	12.6	13
108 226	12.1	13
112 294	11.7	13
112 931	11.6	13
116 453	11.3	13
117 176	11.2	13
120 932	10.9	13
121 516	10.8	13
122 059	10.8	13
122 316	10.7	13
125 769	10.4	13
126 190	10.4	13
126 580	10.4	13
126 941	10.3	13
131 010	10.0	13
131 238	10.0	13
131 448	10.0	13
131 643	10.0	13
131 824	10.0	13
136 706	9.6	13
141 769	9.3	13
141 964	9.2	13
142 174	9.2	13
142 402	9.2	13
142 650	9.2	13
147 222	8.9	13
147 642	8.9	13
148 098	8.9	13
148 593	8.8	13
152 789	8.6	13
153 111	8.6	13
153 794	8.5	13
154 537	8.5	13
159 490	8.2	13
160 481	8.2	13
165 486	7.9	11
166 425	7.9	11
172 681	7.6	11
179 876	7.3	11
184 955	7.1	10
187 071	7.0	10
192 997	6.8	10
194 266	6.8	10
201 038	6.5	10
201 461	6.5	10
209 080	6.3	10
217 121	6.0	8
225 163	5.8	8

32370N

YP 1225 - 1625

120 Cell Wheel

403-133D - 8820-10150 seeds/kg

403-134D - 10150-11470 seeds/kg

403-135D - 11470-13230 seeds/kg

COTTON

TwinRow 91.4cm & 91.4cm Rows

Precision Meter

Ezee Glide Plus Required

Transmission Combinations		Seed Population (seeds/ha)	Twin Row 91.4cm		91.4cm Rows		
			Seed Spacing (cm)	Planting Speed (kph)	Seed Population (seeds/ha)	Seed Spacing (cm)	Planting Speed (kph)
Driving = 15	Driven = 60						
17	28	138 333	15.8	13	69 167	15.8	13
17	27	143 457	15.2	13	71 728	15.2	13
17	26	148 974	14.7	13	74 487	14.7	13
19	28	154 608	14.1	13	77 304	14.1	13
17	25	154 933	14.1	13	77 467	14.1	13
19	27	160 334	13.6	13	80 167	13.6	13
17	24	161 389	13.6	13	80 694	13.6	13
19	26	166 501	13.1	13	83 250	13.1	13
17	23	168 406	13.0	13	84 203	13.0	13
19	25	173 161	12.6	13	86 580	12.6	13
19	24	180 376	12.1	13	90 188	12.1	13
23	28	187 157	11.7	13	93 578	11.7	13
19	23	188 218	11.6	13	94 109	11.6	13
23	27	194 089	11.3	13	97 044	11.3	13
24	28	195 294	11.2	13	97 647	11.2	13
23	26	201 554	10.9	13	100 777	10.9	13
24	27	202 527	10.8	13	101 264	10.8	13
25	28	203 431	10.8	13	101 716	10.8	13
17	19	203 860	10.7	13	101 930	10.7	13
23	25	209 616	10.4	13	104 808	10.4	13
24	26	210 317	10.4	13	105 158	10.4	13
25	27	210 966	10.4	13	105 483	10.4	13
26	28	211 569	10.3	13	105 784	10.3	13
23	24	218 350	10.0	13	109 175	10.0	13
24	25	218 729	10.0	13	109 365	10.0	13
25	26	219 080	10.0	13	109 540	10.0	13
26	27	219 405	10.0	13	109 702	10.0	13
27	28	219 706	10.0	13	109 853	10.0	13
23	23	227 843	9.6	13	113 922	9.6	13
28	27	236 282	9.3	13	118 141	9.3	13
27	26	236 606	9.2	13	118 303	9.2	13
26	25	236 957	9.2	13	118 478	9.2	13
25	24	237 337	9.2	13	118 668	9.2	13
24	23	237 749	9.2	13	118 875	9.2	13
28	26	245 370	8.9	13	122 685	8.9	13
27	25	246 071	8.9	13	123 035	8.9	13
26	24	246 830	8.9	13	123 415	8.9	13
25	23	247 656	8.8	13	123 828	8.8	13
19	17	254 648	8.6	13	127 324	8.6	13
28	25	255 184	8.6	13	127 592	8.6	13
27	24	256 324	8.5	13	128 162	8.5	13
26	23	257 562	8.5	13	128 781	8.5	13
28	24	265 817	8.2	13	132 909	8.2	13
27	23	267 468	8.2	13	133 734	8.2	13
23	19	275 810	7.9	11	137 905	7.9	11
28	23	277 374	7.9	11	138 687	7.9	11
24	19	287 802	7.6	11	143 901	7.6	11
25	19	299 794	7.3	11	149 897	7.3	11
23	17	308 258	7.1	10	154 129	7.1	10
26	19	311 785	7.0	10	155 893	7.0	10
24	17	321 661	6.8	10	160 830	6.8	10
27	19	323 777	6.8	10	161 889	6.8	10
25	17	335 063	6.5	10	167 532	6.5	10
28	19	335 769	6.5	10	167 884	6.5	10
26	17	348 466	6.3	10	174 233	6.3	10
27	17	361 869	6.0	8	180 934	6.0	8
28	17	375 271	5.8	8	187 636	5.8	8

32370P

**YP 1225 - 1625
102 Cell Wheel**

403-137D - 23150-39690 seeds/kg

MILO
Precision Meter
Ezee Glide Plus Required

Low Rate

Transmission Combinations Driving Driven		Seed Population (seeds/ha)	76.2cm Rows		91.4cm Rows	
			Seed Spacing (cm)	Maximum Planting Speed (kph)	Seed Spacing (cm)	Maximum Planting Speed (kph)
			Range Sprockets: Driving = 15 Driven = 60		Range Sprockets: Driving = 18 Driven = 60	
17	28	70 550	18.6	13	15.5	13
17	27	73 163	17.9	13	14.9	13
17	26	75 977	17.3	13	14.4	13
19	28	78 850	16.6	13	13.9	13
17	25	79 016	16.6	13	13.8	13
19	27	81 770	16.0	13	13.4	13
17	24	82 308	15.9	13	13.3	13
19	26	84 915	15.5	13	12.9	13
17	23	85 887	15.3	13	12.7	13
19	25	88 312	14.9	13	12.4	13
19	24	91 992	14.3	13	11.9	13
23	28	95 450	13.7	13	11.5	13
19	23	95 991	13.7	13	11.4	13
23	27	98 985	13.3	13	11.0	13
24	28	99 600	13.2	13	11.0	13
23	26	102 792	12.8	13	10.6	13
24	27	103 289	12.7	13	10.6	13
25	28	103 750	12.6	13	10.5	13
17	19	103 968	12.6	13	10.5	11
23	25	106 904	12.3	13	10.2	11
24	26	107 262	12.2	13	10.2	11
25	27	107 593	12.2	13	10.2	11
26	28	107 900	12.2	13	10.1	11
23	24	111 358	11.8	13	9.8	11
24	25	111 552	11.8	13	9.8	11
25	26	111 731	11.7	13	9.8	11
26	27	111 896	11.7	13	9.8	11
27	28	112 050	11.7	13	9.8	11
23	23	116 200	11.3	13	9.4	11
28	27	120 504	10.9	13	9.1	10
27	26	120 669	10.9	13	9.1	10
26	25	120 848	10.9	13	9.0	10
25	24	121 042	10.8	13	9.0	10
24	23	121 252	10.8	13	9.0	10
28	26	125 138	10.5	11	8.7	10
27	25	125 496	10.5	11	8.7	10
26	24	125 883	10.4	11	8.7	10
25	23	126 304	10.4	11	8.7	10
19	17	129 871	10.1	11	8.4	10
28	25	130 144	10.1	11	8.4	10
27	24	130 725	10.0	11	8.4	10
26	23	131 357	10.0	11	8.3	10
28	24	135 567	9.7	11	8.1	10
27	23	136 409	9.6	11	8.0	10
23	19	140 663	9.3	11	7.8	8
28	23	141 461	9.3	11	7.7	8
24	19	146 779	8.9	10	7.5	8
25	19	152 895	8.6	10	7.2	8
23	17	157 212	8.3	10	7.0	8
26	19	159 011	8.3	10	6.9	8
24	17	164 047	8.0	10	6.7	8
27	19	165 126	7.9	10	6.6	8
25	17	170 882	7.7	8	6.4	6
28	19	171 242	7.7	8	6.4	6
26	17	177 718	7.4	8	6.2	6
27	17	184 553	7.1	8	5.9	6
28	17	191 388	6.9	8	5.7	6

32370Q

**YP 1225 - 1625
102 Cell Wheel**

403-137D - 23150-39690 seeds/kg

MILO

Precision Meter

Ezee Glide Plus Required

Transmission Combinations		Seed Population (seeds/ha)	Twin Row 76.2cm 38.1cm Rows		Twin Row 91.4cm		50.8cm Rows		76.2cm Rows		91.4cm Rows	
Driving	Driven		Seed Spacing (cm)	Maximum Planting Speed (kph)	Seed Spacing (cm)	Maximum Planting Speed (kph)	Seed Spacing (cm)	Maximum Planting Speed (kph)	Seed Spacing (cm)	Maximum Planting Speed (kph)	Seed Spacing (cm)	Maximum Planting Speed (kph)
17	28	141 100	18.6	13	15.5	13	14.0	13	9.3	11	7.8	8
17	27	146 326	17.9	13	14.9	13	13.5	13	9.0	10	7.5	8
17	26	151 954	17.3	13	14.4	13	13.0	13	8.6	10	7.2	8
19	28	157 700	16.6	13	13.9	13	12.5	13	8.3	10	6.9	8
17	25	158 032	16.6	13	13.8	13	12.5	13	8.3	10	6.9	8
19	27	163 541	16.0	13	13.4	13	12.0	13	8.0	10	6.7	8
17	24	164 617	15.9	13	13.3	13	12.0	13	8.0	10	6.6	8
19	26	169 831	15.5	13	12.9	13	11.6	13	7.7	8	6.4	6
17	23	171 774	15.3	13	12.7	13	11.5	13	7.6	8	6.4	6
19	25	176 624	14.9	13	12.4	13	11.1	13	7.4	8	6.2	6
19	24	183 983	14.3	13	11.9	13	10.7	13	7.1	8	5.9	6
23	28	190 900	13.7	13	11.5	13	10.3	11	6.9	8	5.7	6
19	23	191 983	13.7	13	11.4	13	10.3	11	6.8	8	5.7	6
23	27	197 970	13.3	13	11.0	13	9.9	11	6.6	8	5.5	6
24	28	199 200	13.2	13	11.0	13	9.9	11	6.6	8	5.5	6
23	26	205 585	12.8	13	10.6	13	9.6	11	6.4	6	5.3	6
24	27	206 578	12.7	13	10.6	13	9.5	11	6.4	6	5.3	6
25	28	207 500	12.6	13	10.5	13	9.5	11	6.3	6	5.3	6
17	19	207 937	12.6	13	10.5	11	9.5	11	6.3	6	5.3	5
23	25	213 808	12.3	13	10.2	11	9.2	11	6.1	6	5.1	5
24	26	214 523	12.2	13	10.2	11	9.2	10	6.1	6	5.1	5
25	27	215 185	12.2	13	10.2	11	9.1	10	6.1	6	5.1	5
26	28	215 800	12.2	13	10.1	11	9.1	10	6.1	6	5.1	5
23	24	222 717	11.8	13	9.8	11	8.8	10	5.9	6	4.9	5
24	25	223 104	11.8	13	9.8	11	8.8	10	5.9	6	4.9	5
25	26	223 462	11.7	13	9.8	11	8.8	10	5.9	6	4.9	5
26	27	223 793	11.7	13	9.8	11	8.8	10	5.9	6	4.9	5
27	28	224 100	11.7	13	9.8	11	8.8	10	5.9	6	4.9	5
23	23	232 400	11.3	13	9.4	11	8.5	10	5.6	6	4.7	5
28	27	241 007	10.9	13	9.1	10	8.2	10	5.4	6	4.5	5
27	26	241 338	10.9	13	9.1	10	8.2	10	5.4	6	4.5	5
26	25	241 696	10.9	13	9.0	10	8.1	10	5.4	6	4.5	5
25	24	242 083	10.8	13	9.0	10	8.1	10	5.4	6	4.5	5
24	23	242 504	10.8	13	9.0	10	8.1	10	5.4	6	4.5	5
28	26	250 277	10.5	11	8.7	10	7.9	8	5.2	5	4.4	5
27	25	250 992	10.5	11	8.7	10	7.8	8	5.2	5	4.4	5
26	24	251 767	10.4	11	8.7	10	7.8	8	5.2	5	4.3	5
25	23	252 609	10.4	11	8.7	10	7.8	8	5.2	5	4.3	5
19	17	259 741	10.1	11	8.4	10	7.6	8	5.1	5	4.2	5
28	25	260 288	10.1	11	8.4	10	7.6	8	5.0	5	4.2	5
27	24	261 450	10.0	11	8.4	10	7.5	8	5.0	5	4.2	5
26	23	262 713	10.0	11	8.3	10	7.5	8	5.0	5	4.2	5
28	24	271 133	9.7	11	8.1	10	7.3	8	4.8	5	4.0	5
27	23	272 817	9.6	11	8.0	10	7.2	8	4.8	5	4.0	5
23	19	281 326	9.3	11	7.8	8	7.0	8	4.7	5	3.9	3
28	23	282 922	9.3	11	7.7	8	7.0	8	4.6	5	3.9	3
24	19	293 558	8.9	10	7.5	8	6.7	8	4.5	5	3.7	3
25	19	305 790	8.6	10	7.2	8	6.4	6	4.3	5	3.6	3
23	17	314 424	8.3	10	7.0	8	6.3	6	4.2	5	3.5	3
26	19	318 021	8.3	10	6.9	8	6.2	6	4.1	5	3.4	3
24	17	328 094	8.0	10	6.7	8	6.0	6	4.0	5	3.3	3
27	19	330 253	7.9	10	6.6	8	6.0	6	4.0	5	3.3	3
25	17	341 765	7.7	8	6.4	6	5.8	6	3.8	3	3.2	3
28	19	342 484	7.7	8	6.4	6	5.7	6	3.8	3	3.2	3
26	17	355 435	7.4	8	6.2	6	5.5	6	3.7	3	3.1	3
27	17	369 106	7.1	8	5.9	6	5.3	6	3.6	3	3.0	3
28	17	382 777	6.9	8	5.7	6	5.1	5	3.4	3	2.9	3

32370R

**YP 1225 - 1625
135 Cell Wheel**

403-140D - 26460-39690 seeds/kg
403-138D - 23150-30870 seeds/kg

MILO

Low Rate

Precision Meter
Ezee Glide Plus Required

Transmission Combinations Driving Driven		Seed Population (seeds/ha)	76.2cm Rows		91.4cm Rows	
			Seed Spacing (cm)	Maximum Planting Speed (kph)	Seed Spacing (cm)	Maximum Planting Speed (kph)
			Range Sprockets: Driving = 15 Driven = 60		Range Sprockets: Driving = 18 Driven = 60	
17	28	93 375	14.1	13	11.7	13
17	27	96 833	13.6	13	11.3	13
17	26	100 558	13.1	13	10.9	13
19	28	104 360	12.6	13	10.5	13
17	25	104 580	12.5	13	10.5	13
19	27	108 226	12.1	13	10.1	13
17	24	108 938	12.0	13	10.0	13
19	26	112 388	11.7	13	9.7	13
17	23	113 674	11.5	13	9.6	13
19	25	116 884	11.2	13	9.4	13
19	24	121 754	10.8	13	9.0	13
23	28	126 331	10.4	13	8.7	13
19	23	127 047	10.3	13	8.6	13
23	27	131 010	10.0	13	8.3	13
24	28	131 824	10.0	13	8.3	13
23	26	136 049	9.6	13	8.0	13
24	27	136 706	9.6	13	8.0	13
25	28	137 316	9.6	13	8.0	13
17	19	137 605	9.5	13	7.9	11
23	25	141 491	9.3	13	7.7	11
24	26	141 964	9.2	13	7.7	11
25	27	142 402	9.2	13	7.7	11
26	28	142 809	9.2	13	7.7	11
23	24	147 386	8.9	13	7.4	11
24	25	147 642	8.9	13	7.4	11
25	26	147 879	8.9	13	7.4	11
26	27	148 098	8.9	13	7.4	11
27	28	148 301	8.8	13	7.4	11
23	23	153 794	8.5	13	7.1	11
28	27	159 490	8.2	13	6.9	10
27	26	159 709	8.2	13	6.8	10
26	25	159 946	8.2	13	6.8	10
25	24	160 202	8.2	13	6.8	10
24	23	160 481	8.2	13	6.8	10
28	26	165 624	7.9	11	6.6	10
27	25	166 098	7.9	11	6.6	10
26	24	166 610	7.9	11	6.6	10
25	23	167 168	7.9	11	6.5	10
19	17	171 888	7.6	11	6.4	10
28	25	172 249	7.6	11	6.3	10
27	24	173 018	7.6	11	6.3	10
26	23	173 854	7.5	11	6.3	10
28	24	179 426	7.3	11	6.1	10
27	23	180 541	7.3	11	6.1	10
23	19	186 172	7.0	11	5.9	8
28	23	187 228	7.0	11	5.8	8
24	19	194 266	6.8	10	5.6	8
25	19	202 361	6.5	10	5.4	8
23	17	208 074	6.3	10	5.3	8
26	19	210 455	6.2	10	5.2	8
24	17	217 121	6.0	10	5.0	8
27	19	218 550	6.0	10	5.0	8
25	17	226 168	5.8	8	4.8	6
28	19	226 644	5.8	8	4.8	6
26	17	235 215	5.6	8	4.6	6
27	17	244 261	5.4	8	4.5	6
28	17	253 308	5.2	8	4.3	6

323705

**YP 1225 - 1625
135 Cell Wheel**

403-140D - 26460-39690 seeds/kg
403-138D - 23150-30870 seeds/kg

MILO
Precision Meter
Ezee Glide Plus Required

Transmission Combinations Driving Driven		Seed Population (seeds/ha)	Twin Row 76.2cm 38.1cm Rows		Twin Row 91.4cm		50.8cm Rows		76.2cm Rows		91.4cm Rows	
			Seed Spacing (cm)	Maximum Planting Speed (kph)	Seed Spacing (cm)	Maximum Planting Speed (kph)	Seed Spacing (cm)	Maximum Planting Speed (kph)	Seed Spacing (cm)	Maximum Planting Speed (kph)	Seed Spacing (cm)	Maximum Planting Speed (kph)
17	28	186 750	14.1	13	11.7	13	10.5	13	7.0	11	5.9	8
17	27	193 667	13.6	13	11.3	13	10.2	13	6.8	10	5.6	8
17	26	201 115	13.1	13	10.9	13	9.8	13	6.5	10	5.4	8
19	28	208 721	12.6	13	10.5	13	9.4	13	6.3	10	5.2	8
17	25	209 160	12.5	13	10.5	13	9.4	13	6.3	10	5.2	8
19	27	216 451	12.1	13	10.1	13	9.1	13	6.1	10	5.1	8
17	24	217 875	12.0	13	10.0	13	9.0	13	6.0	10	5.0	8
19	26	224 776	11.7	13	9.7	13	8.8	13	5.8	8	4.9	6
17	23	227 348	11.5	13	9.6	13	8.7	13	5.8	8	4.8	6
19	25	233 767	11.2	13	9.4	13	8.4	13	5.6	8	4.7	6
19	24	243 507	10.8	13	9.0	13	8.1	13	5.4	8	4.5	6
23	28	252 662	10.4	13	8.7	13	7.8	11	5.2	8	4.3	6
19	23	254 095	10.3	13	8.6	13	7.7	11	5.2	8	4.3	6
23	27	262 020	10.0	13	8.3	13	7.5	11	5.0	8	4.2	6
24	28	263 647	10.0	13	8.3	13	7.5	11	5.0	8	4.1	6
23	26	272 097	9.6	13	8.0	13	7.2	11	4.8	6	4.0	6
24	27	273 412	9.6	13	8.0	13	7.2	11	4.8	6	4.0	6
25	28	274 632	9.6	13	8.0	13	7.2	11	4.8	6	4.0	6
17	19	275 211	9.5	13	7.9	11	7.2	11	4.8	6	4.0	5
23	25	282 981	9.3	13	7.7	11	7.0	11	4.6	6	3.9	5
24	26	283 928	9.2	13	7.7	11	6.9	10	4.6	6	3.9	5
25	27	284 804	9.2	13	7.7	11	6.9	10	4.6	6	3.8	5
26	28	285 618	9.2	13	7.7	11	6.9	10	4.6	6	3.8	5
23	24	294 772	8.9	13	7.4	11	6.7	10	4.5	6	3.7	5
24	25	295 285	8.9	13	7.4	11	6.7	10	4.4	6	3.7	5
25	26	295 758	8.9	13	7.4	11	6.7	10	4.4	6	3.7	5
26	27	296 196	8.9	13	7.4	11	6.6	10	4.4	6	3.7	5
27	28	296 603	8.8	13	7.4	11	6.6	10	4.4	6	3.7	5
23	23	307 588	8.5	13	7.1	11	6.4	10	4.3	6	3.6	5
28	27	318 980	8.2	13	6.9	10	6.2	10	4.1	6	3.4	5
27	26	319 419	8.2	13	6.8	10	6.2	10	4.1	6	3.4	5
26	25	319 892	8.2	13	6.8	10	6.2	10	4.1	6	3.4	5
25	24	320 404	8.2	13	6.8	10	6.1	10	4.1	6	3.4	5
24	23	320 962	8.2	13	6.8	10	6.1	10	4.1	6	3.4	5
28	26	331 249	7.9	11	6.6	10	5.9	8	4.0	5	3.3	5
27	25	332 195	7.9	11	6.6	10	5.9	8	4.0	5	3.3	5
26	24	333 221	7.9	11	6.6	10	5.9	8	3.9	5	3.3	5
25	23	334 335	7.9	11	6.5	10	5.9	8	3.9	5	3.3	5
19	17	343 775	7.6	11	6.4	10	5.7	8	3.8	5	3.2	5
28	25	344 499	7.6	11	6.3	10	5.7	8	3.8	5	3.2	5
27	24	346 037	7.6	11	6.3	10	5.7	8	3.8	5	3.2	5
26	23	347 708	7.5	11	6.3	10	5.7	8	3.8	5	3.1	5
28	24	358 853	7.3	11	6.1	10	5.5	8	3.7	5	3.0	5
27	23	361 082	7.3	11	6.1	10	5.5	8	3.6	5	3.0	5
23	19	372 344	7.0	11	5.9	8	5.3	8	3.5	5	2.9	3
28	23	374 455	7.0	11	5.8	8	5.3	8	3.5	5	2.9	3
24	19	388 533	6.8	10	5.6	8	5.1	8	3.4	5	2.8	3
25	19	404 721	6.5	10	5.4	8	4.9	6	3.2	5	2.7	3
23	17	416 149	6.3	10	5.3	8	4.7	6	3.2	5	2.6	3
26	19	420 910	6.2	10	5.2	8	4.7	6	3.1	5	2.6	3
24	17	434 242	6.0	10	5.0	8	4.5	6	3.0	5	2.5	3
27	19	437 099	6.0	10	5.0	8	4.5	6	3.0	5	2.5	3
25	17	452 336	5.8	8	4.8	6	4.4	6	2.9	3	2.4	3
28	19	453 288	5.8	8	4.8	6	4.3	6	2.9	3	2.4	3
26	17	470 429	5.6	8	4.6	6	4.2	6	2.8	3	2.3	3
27	17	488 523	5.4	8	4.5	6	4.0	6	2.7	3	2.2	3
28	17	506 616	5.2	8	4.3	6	3.9	5	2.6	3	2.2	3

323701

**YP 1225 - 1625
270 Cell Wheel**

403-141D - 26460-39690 seeds/kg
403-139D - 23150-30870 seeds/kg

MILO
Precision Meter
Ezee Glide Plus Required

Transmission Combinations Driving Driven		Seed Population (seeds/ha)	Twin Row 76.2cm 38.1cm Rows		Twin Row 91.4cm		50.8cm Rows		76.2cm Rows		91.4cm Rows	
			Range Sprockets: Driving = 15 Driven = 60		Range Sprockets: Driving = 18 Driven = 60		Range Sprockets: Driving = 20 Driven = 60		Range Sprockets: Driving = 15 Driven = 30		Range Sprockets: Driving = 18 Driven = 30	
			Seed Spacing (cm)	Maximum Planting Speed (kph)	Seed Spacing (cm)	Maximum Planting Speed (kph)	Seed Spacing (cm)	Maximum Planting Speed (kph)	Seed Spacing (cm)	Maximum Planting Speed (kph)	Seed Spacing (cm)	Maximum Planting Speed (kph)
17	28	373 500	7.0	13	5.9	13	5.3	13	3.5	11	2.9	8
17	27	387 333	6.8	13	5.6	13	5.1	13	3.4	10	2.8	8
17	26	402 231	6.5	13	5.4	13	4.9	13	3.3	10	2.7	8
19	28	417 441	6.3	13	5.2	13	4.7	13	3.1	10	2.6	8
17	25	418 320	6.3	13	5.2	13	4.7	13	3.1	10	2.6	8
19	27	432 902	6.1	13	5.1	13	4.5	13	3.0	10	2.5	8
17	24	435 750	6.0	13	5.0	13	4.5	13	3.0	10	2.5	8
19	26	449 552	5.8	13	4.9	13	4.4	13	2.9	8	2.4	6
17	23	454 696	5.8	13	4.8	13	4.3	13	2.9	8	2.4	6
19	25	467 534	5.6	13	4.7	13	4.2	13	2.8	8	2.3	6
19	24	487 015	5.4	13	4.5	13	4.0	13	2.7	8	2.2	6
23	28	505 324	5.2	13	4.3	13	3.9	11	2.6	8	2.2	6
19	23	508 189	5.2	13	4.3	13	3.9	11	2.6	8	2.2	6
23	27	524 039	5.0	13	4.2	13	3.8	11	2.5	8	2.1	6
24	28	527 294	5.0	13	4.1	13	3.7	11	2.5	8	2.1	6
23	26	544 195	4.8	13	4.0	13	3.6	11	2.4	6	2.0	6
24	27	546 824	4.8	13	4.0	13	3.6	11	2.4	6	2.0	6
25	28	549 265	4.8	13	4.0	13	3.6	11	2.4	6	2.0	6
17	19	550 421	4.8	13	4.0	11	3.6	11	2.4	6	2.0	5
23	25	565 962	4.6	13	3.9	11	3.5	11	2.3	6	1.9	5
24	26	567 855	4.6	13	3.9	11	3.5	10	2.3	6	1.9	5
25	27	569 608	4.6	13	3.8	11	3.5	10	2.3	6	1.9	5
26	28	571 235	4.6	13	3.8	11	3.4	10	2.3	6	1.9	5
23	24	589 544	4.5	13	3.7	11	3.3	10	2.2	6	1.9	5
24	25	590 570	4.4	13	3.7	11	3.3	10	2.2	6	1.9	5
25	26	591 516	4.4	13	3.7	11	3.3	10	2.2	6	1.8	5
26	27	592 392	4.4	13	3.7	11	3.3	10	2.2	6	1.8	5
27	28	593 206	4.4	13	3.7	11	3.3	10	2.2	6	1.8	5
23	23	615 177	4.3	13	3.6	11	3.2	10	2.1	6	1.8	5
28	27	637 961	4.1	13	3.4	10	3.1	10	2.1	6	1.7	5
27	26	638 837	4.1	13	3.4	10	3.1	10	2.1	6	1.7	5
26	25	639 784	4.1	13	3.4	10	3.1	10	2.1	6	1.7	5
25	24	640 809	4.1	13	3.4	10	3.1	10	2.0	6	1.7	5
24	23	641 923	4.1	13	3.4	10	3.1	10	2.0	6	1.7	5
28	26	662 498	4.0	11	3.3	10	3.0	8	2.0	5	1.7	5
27	25	664 391	4.0	11	3.3	10	3.0	8	2.0	5	1.6	5
26	24	666 441	3.9	11	3.3	10	3.0	8	2.0	5	1.6	5
25	23	668 670	3.9	11	3.3	10	2.9	8	2.0	5	1.6	5
19	17	687 550	3.8	11	3.2	10	2.9	8	1.9	5	1.6	5
28	25	688 998	3.8	11	3.2	10	2.9	8	1.9	5	1.6	5
27	24	692 074	3.8	11	3.2	10	2.8	8	1.9	5	1.6	5
26	23	695 417	3.8	11	3.1	10	2.8	8	1.9	5	1.6	5
28	24	717 706	3.7	11	3.0	10	2.7	8	1.8	5	1.5	5
27	23	722 164	3.6	11	3.0	10	2.7	8	1.8	5	1.5	5
23	19	744 687	3.5	11	2.9	8	2.6	8	1.8	5	1.5	3
28	23	748 911	3.5	11	2.9	8	2.6	8	1.8	5	1.5	3
24	19	777 065	3.4	10	2.8	8	2.5	8	1.7	5	1.4	3
25	19	809 443	3.2	10	2.7	8	2.4	6	1.6	5	1.4	3
23	17	832 298	3.2	10	2.6	8	2.4	6	1.6	5	1.3	3
26	19	841 821	3.1	10	2.6	8	2.3	6	1.6	5	1.3	3
24	17	868 485	3.0	10	2.5	8	2.3	6	1.5	5	1.3	3
27	19	874 198	3.0	10	2.5	8	2.3	6	1.5	5	1.3	3
25	17	904 671	2.9	8	2.4	6	2.2	6	1.5	3	1.2	3
28	19	906 576	2.9	8	2.4	6	2.2	6	1.4	3	1.2	3
26	17	940 858	2.8	8	2.3	6	2.1	6	1.4	3	1.2	3
27	17	977 045	2.7	8	2.2	6	2.0	6	1.3	3	1.1	3
28	17	1 013 232	2.6	8	2.2	6	1.9	5	1.3	3	1.1	3

32370U

YP 1225 - 1625
100 Cell Wheel

403-122D - 3750-4850 seeds/kg

SOYBEAN

Page 1 of 2

Precision Meter

Ezee Glide Plus Required

Transmission Combinations		Seed Population (seeds/ha)	Twin Row 76.2cm 38.1cm Rows		Twin Row 91.4cm		50.8cm Rows		76.2cm Rows		91.4cm Rows	
Driving	Driven		Seed Spacing (cm)	Maximum Planting Speed (kph)	Seed Spacing (cm)	Maximum Planting Speed (kph)	Seed Spacing (cm)	Maximum Planting Speed (kph)	Seed Spacing (cm)	Maximum Planting Speed (kph)	Seed Spacing (cm)	Maximum Planting Speed (kph)
17	28	138 333	19.0	13	15.8	13	14.2	13	9.5	13	7.9	13
17	27	143 457	18.3	13	15.2	13	13.7	13	9.1	13	7.6	13
17	26	148 974	17.6	13	14.7	13	13.2	13	8.8	13	7.3	13
19	28	154 608	17.0	13	14.1	13	12.7	13	8.5	13	7.1	13
17	25	154 933	16.9	13	14.1	13	12.7	13	8.5	13	7.1	13
19	27	160 334	16.4	13	13.6	13	12.3	13	8.2	13	6.8	13
17	24	161 389	16.3	13	13.6	13	12.2	13	8.1	13	6.8	13
19	26	166 501	15.8	13	13.1	13	11.8	13	7.9	13	6.6	13
17	23	168 406	15.6	13	13.0	13	11.7	13	7.8	13	6.5	11
19	25	173 161	15.2	13	12.6	13	11.4	13	7.6	13	6.3	11
19	24	180 376	14.6	13	12.1	13	10.9	13	7.3	13	6.1	11
23	28	187 157	14.0	13	11.7	13	10.5	13	7.0	13	5.8	11
19	23	188 218	13.9	13	11.6	13	10.5	13	7.0	13	5.8	11
23	27	194 089	13.5	13	11.3	13	10.1	13	6.8	13	5.6	10
24	28	195 294	13.4	13	11.2	13	10.1	13	6.7	13	5.6	10
23	26	201 554	13.0	13	10.9	13	9.8	13	6.5	11	5.4	10
24	27	202 527	13.0	13	10.8	13	9.7	13	6.5	11	5.4	10
25	28	203 431	12.9	13	10.8	13	9.7	13	6.5	11	5.4	10
17	19	203 860	12.9	13	10.7	13	9.7	13	6.4	11	5.4	10
23	25	209 616	12.5	13	10.4	13	9.4	13	6.3	11	5.2	10
24	26	210 317	12.5	13	10.4	13	9.4	13	6.2	11	5.2	10
25	27	210 966	12.4	13	10.4	13	9.3	13	6.2	11	5.2	10
26	28	211 569	12.4	13	10.3	13	9.3	13	6.2	11	5.2	10
23	24	218 350	12.0	13	10.0	13	9.0	13	6.0	11	5.0	10
24	25	218 729	12.0	13	10.0	13	9.0	13	6.0	11	5.0	10
25	26	219 080	12.0	13	10.0	13	9.0	13	6.0	11	5.0	10
26	27	219 405	12.0	13	10.0	13	9.0	13	6.0	11	5.0	10
27	28	219 706	11.9	13	10.0	13	9.0	13	6.0	11	5.0	10
23	23	227 843	11.5	13	9.6	13	8.6	13	5.8	11	4.8	8
28	27	236 282	11.1	13	9.3	13	8.3	13	5.6	10	4.6	8
27	26	236 606	11.1	13	9.2	13	8.3	13	5.5	10	4.6	8
26	25	236 957	11.1	13	9.2	13	8.3	13	5.5	10	4.6	8
25	24	237 337	11.1	13	9.2	13	8.3	13	5.5	10	4.6	8
24	23	237 749	11.0	13	9.2	13	8.3	13	5.5	10	4.6	8
28	26	245 370	10.7	13	8.9	13	8.0	13	5.3	10	4.5	8
27	25	246 071	10.7	13	8.9	13	8.0	13	5.3	10	4.4	8
26	24	246 830	10.6	13	8.9	13	8.0	13	5.3	10	4.4	8
25	23	247 656	10.6	13	8.8	13	7.9	13	5.3	10	4.4	8
19	17	254 648	10.3	13	8.6	13	7.7	13	5.2	10	4.3	8
28	25	255 184	10.3	13	8.6	13	7.7	13	5.1	10	4.3	8
27	24	256 324	10.2	13	8.5	13	7.7	13	5.1	10	4.3	8
26	23	257 562	10.2	13	8.5	13	7.6	13	5.1	10	4.2	8
28	24	265 817	9.9	13	8.2	13	7.4	13	4.9	10	4.1	8
27	23	267 468	9.8	13	8.2	13	7.4	13	4.9	10	4.1	8
23	19	275 810	9.5	13	7.9	13	7.1	13	4.8	8	4.0	6
28	23	277 374	9.5	13	7.9	13	7.1	13	4.7	8	3.9	6
24	19	287 802	9.1	13	7.6	13	6.8	13	4.6	8	3.8	6
25	19	299 794	8.8	13	7.3	13	6.6	13	4.4	8	3.6	6
23	17	308 258	8.5	13	7.1	13	6.4	11	4.3	8	3.5	6
26	19	311 785	8.4	13	7.0	13	6.3	11	4.2	8	3.5	6
24	17	321 661	8.2	13	6.8	13	6.1	11	4.1	6	3.4	6
27	19	323 777	8.1	13	6.8	13	6.1	11	4.1	6	3.4	6
25	17	335 063	7.8	13	6.5	11	5.9	11	3.9	6	3.3	5
28	19	335 769	7.8	13	6.5	11	5.9	11	3.9	6	3.3	5
26	17	348 466	7.5	13	6.3	11	5.6	10	3.8	6	3.1	5
27	17	361 869	7.3	13	6.0	11	5.4	10	3.6	6	3.0	5
28	17	375 271	7.0	13	5.8	11	5.2	10	3.5	6	2.9	5

32370V

YP 1225 - 1625
100 Cell Wheel

403-122D - 3750-4850 seeds/kg

SOYBEAN

Precision Meter

Ezee Glide Plus Required

Page 2 of 2

Transmission Combinations		Seed Population (seeds/ha)	Twin Row 76.2cm 38.1cm Rows		Twin Row 91.4cm		50.8cm Rows		76.2cm Rows		91.4cm Rows	
Driving	Driven		Seed Spacing (cm)	Maximum Planting Speed (kph)	Seed Spacing (cm)	Maximum Planting Speed (kph)	Seed Spacing (cm)	Maximum Planting Speed (kph)	Seed Spacing (cm)	Maximum Planting Speed (kph)	Seed Spacing (cm)	Maximum Planting Speed (kph)
17	28	276 667	9.5	13	7.9	13	7.1	13	4.7	8	4.0	6
17	27	286 914	9.1	13	7.6	13	6.9	13	4.6	8	3.8	6
17	26	297 949	8.8	13	7.3	13	6.6	13	4.4	8	3.7	6
19	28	309 216	8.5	13	7.1	13	6.4	11	4.2	8	3.5	6
17	25	309 867	8.5	13	7.1	13	6.4	11	4.2	8	3.5	6
19	27	320 668	8.2	13	6.8	13	6.1	11	4.1	8	3.4	6
17	24	322 778	8.1	13	6.8	13	6.1	11	4.1	6	3.4	6
19	26	333 002	7.9	13	6.6	13	5.9	11	3.9	6	3.3	6
17	23	336 812	7.8	13	6.5	11	5.8	11	3.9	6	3.2	5
19	25	346 322	7.6	13	6.3	11	5.7	10	3.8	6	3.2	5
19	24	360 752	7.3	13	6.1	11	5.5	10	3.6	6	3.0	5
23	28	374 314	7.0	13	5.8	11	5.3	10	3.5	6	2.9	5
19	23	376 437	7.0	13	5.8	11	5.2	10	3.5	6	2.9	5
23	27	388 177	6.8	13	5.6	10	5.1	10	3.4	6	2.8	5
24	28	390 588	6.7	13	5.6	10	5.0	10	3.4	6	2.8	5
23	26	403 107	6.5	11	5.4	10	4.9	8	3.3	5	2.7	5
24	27	405 055	6.5	11	5.4	10	4.9	8	3.2	5	2.7	5
25	28	406 863	6.5	11	5.4	10	4.8	8	3.2	5	2.7	5
17	19	407 719	6.4	11	5.4	10	4.8	8	3.2	5	2.7	5
23	25	419 231	6.3	11	5.2	10	4.7	8	3.1	5	2.6	5
24	26	420 634	6.2	11	5.2	10	4.7	8	3.1	5	2.6	5
25	27	421 932	6.2	11	5.2	10	4.7	8	3.1	5	2.6	5
26	28	423 137	6.2	11	5.2	10	4.7	8	3.1	5	2.6	5
23	24	436 699	6.0	11	5.0	10	4.5	8	3.0	5	2.5	5
24	25	437 459	6.0	11	5.0	10	4.5	8	3.0	5	2.5	5
25	26	438 160	6.0	11	5.0	10	4.5	8	3.0	5	2.5	5
26	27	438 809	6.0	11	5.0	10	4.5	8	3.0	5	2.5	5
27	28	439 412	6.0	11	5.0	10	4.5	8	3.0	5	2.5	5
23	23	455 686	5.8	11	4.8	8	4.3	8	2.9	5	2.4	3
28	27	472 564	5.6	10	4.6	8	4.2	8	2.8	5	2.3	3
27	26	473 213	5.5	10	4.6	8	4.2	8	2.8	5	2.3	3
26	25	473 914	5.5	10	4.6	8	4.2	8	2.8	5	2.3	3
25	24	474 673	5.5	10	4.6	8	4.1	8	2.8	5	2.3	3
24	23	475 499	5.5	10	4.6	8	4.1	8	2.8	5	2.3	3
28	26	490 739	5.3	10	4.5	8	4.0	6	2.7	5	2.2	3
27	25	492 141	5.3	10	4.4	8	4.0	6	2.7	5	2.2	3
26	24	493 660	5.3	10	4.4	8	4.0	6	2.7	5	2.2	3
25	23	495 311	5.3	10	4.4	8	4.0	6	2.6	5	2.2	3
19	17	509 297	5.2	10	4.3	8	3.9	6	2.6	5	2.1	3
28	25	510 369	5.1	10	4.3	8	3.9	6	2.6	5	2.1	3
27	24	512 647	5.1	10	4.3	8	3.8	6	2.6	5	2.1	3
26	23	515 124	5.1	10	4.2	8	3.8	6	2.5	5	2.1	3
28	24	531 634	4.9	10	4.1	8	3.7	6	2.5	5	2.1	3
27	23	534 936	4.9	10	4.1	8	3.7	6	2.5	5	2.0	3
23	19	551 620	4.8	8	4.0	6	3.6	6	2.4	3	2.0	3
28	23	554 749	4.7	8	3.9	6	3.5	6	2.4	3	2.0	3
24	19	575 604	4.6	8	3.8	6	3.4	6	2.3	3	1.9	3
25	19	599 587	4.4	8	3.6	6	3.3	6	2.2	3	1.8	3
23	17	616 517	4.3	8	3.5	6	3.2	5	2.1	3	1.8	3
26	19	623 571	4.2	8	3.5	6	3.2	5	2.1	3	1.8	3
24	17	643 322	4.1	6	3.4	6	3.1	5	2.0	3	1.7	3
27	19	647 554	4.1	6	3.4	6	3.0	5	2.0	3	1.7	3
25	17	670 127	3.9	6	3.3	5	2.9	5	2.0	3	1.6	2
28	19	671 538	3.9	6	3.3	5	2.9	5	2.0	3	1.6	2
26	17	696 932	3.8	6	3.1	5	2.8	5	1.9	3	1.6	2
27	17	723 737	3.6	6	3.0	5	2.7	5	1.8	3	1.5	2
28	17	750 542	3.5	6	2.9	5	2.6	5	1.7	3	1.5	2

32370W

YIELD PRO 1225 - 1625
100 Cell Wheel

403-122D - 3750-4850 seeds/kg

SOYBEAN

Precision Meter
Ezee Glide Plus Required

Transmission Combinations		Seed Population (seeds/ha)	70cm Rows	
Driving	Driven		Seed Spacing (cm)	Maximum Planting Speed (kph)
17	28	200 781	7.1	13
17	27	208 218	6.9	13
17	26	216 226	6.6	13
19	28	224 403	6.4	11
17	25	224 875	6.4	11
19	27	232 714	6.1	11
17	24	234 245	6.1	11
19	26	241 664	5.9	11
17	23	244 430	5.8	11
19	25	251 331	5.7	10
19	24	261 803	5.5	10
23	28	271 645	5.3	10
19	23	273 186	5.2	10
23	27	281 706	5.1	10
24	28	283 456	5.0	10
23	26	292 541	4.9	8
24	27	293 954	4.9	8
25	28	295 267	4.8	8
17	19	295 888	4.8	8
23	25	304 243	4.7	8
24	26	305 260	4.7	8
25	27	306 203	4.7	8
26	28	307 077	4.7	8
23	24	316 920	4.5	8
24	25	317 471	4.5	8
25	26	317 980	4.5	8
26	27	318 451	4.5	8
27	28	318 888	4.5	8
23	23	330 699	4.3	8
28	27	342 947	4.2	8
27	26	343 418	4.2	8
26	25	343 927	4.2	8
25	24	344 478	4.1	8
24	23	345 077	4.1	8
28	26	356 137	4.0	6
27	25	357 155	4.0	6
26	24	358 257	4.0	6
25	23	359 455	4.0	6
19	17	369 604	3.9	6
28	25	370 383	3.9	6
27	24	372 036	3.8	6
26	23	373 833	3.8	6
28	24	385 815	3.7	6
27	23	388 212	3.7	6
23	19	400 320	3.6	6
28	23	402 590	3.5	6
24	19	417 725	3.4	6
25	19	435 130	3.3	6
23	17	447 416	3.2	5
26	19	452 535	3.2	5
24	17	466 869	3.1	5
27	19	469 940	3.0	5
25	17	486 322	2.9	5
28	19	487 346	2.9	5
26	17	505 775	2.8	5
27	17	525 227	2.7	5
28	17	544 680	2.6	5

Seed Population (seeds/ha)	70cm Rows	
	Seed Spacing (cm)	Maximum Planting Speed (kph)
301 172	4.7	8
312 327	4.6	8
324 339	4.4	8
336 604	4.2	8
337 313	4.2	8
349 071	4.1	8
351 367	4.1	6
362 497	3.9	6
366 644	3.9	6
376 997	3.8	6
392 705	3.6	6
407 468	3.5	6
409 779	3.5	6
422 560	3.4	6
425 184	3.4	6
438 812	3.3	5
440 932	3.2	5
442 900	3.2	5
443 833	3.2	5
456 364	3.1	5
457 891	3.1	5
459 304	3.1	5
460 616	3.1	5
475 379	3.0	5
476 206	3.0	5
476 969	3.0	5
477 676	3.0	5
478 332	3.0	5
496 048	2.9	5
514 420	2.8	5
515 127	2.8	5
515 890	2.8	5
516 717	2.8	5
517 615	2.8	5
534 206	2.7	5
535 732	2.7	5
537 385	2.7	5
539 183	2.6	5
554 407	2.6	5
555 574	2.6	5
558 054	2.6	5
560 750	2.5	5
578 723	2.5	5
582 317	2.5	5
600 479	2.4	3
603 885	2.4	3
626 587	2.3	3
652 695	2.2	3
671 124	2.1	3
678 803	2.1	3
700 303	2.0	3
704 910	2.0	3
729 483	2.0	3
731 018	2.0	3
758 662	1.9	3
787 841	1.8	3
817 020	1.7	3

YP 1225 - 1625
110 Cell Wheel

SOYBEAN

Precision Meter

Ezee Glide Plus Required

403-123D 4850-5950 seeds/kg
403-124D 5950-7060 seeds/kg
403-125D 6840-8380 seeds/kg
403-126D 7940-8820 seeds/kg

Transmission Combinations		Seed Population (seeds/ha)	Twin Row 76.2cm 38.1cm Rows		Twin Row 91.4cm		50.8cm Rows		76.2cm Rows		91.4cm Rows	
Driving	Driven		Seed Spacing (cm)	Maximum Planting Speed (kph)	Seed Spacing (cm)	Maximum Planting Speed (kph)	Seed Spacing (cm)	Maximum Planting Speed (kph)	Seed Spacing (cm)	Maximum Planting Speed (kph)	Seed Spacing (cm)	Maximum Planting Speed (kph)
17	28	152 167	17.2	13	14.4	13	12.9	13	8.6	13	7.2	13
17	27	157 802	16.6	13	13.9	13	12.5	13	8.3	13	6.9	13
17	26	163 872	16.0	13	13.3	13	12.0	13	8.0	13	6.7	13
19	28	170 069	15.4	13	12.9	13	11.6	13	7.7	13	6.4	13
17	25	170 427	15.4	13	12.8	13	11.6	13	7.7	13	6.4	13
19	27	176 367	14.9	13	12.4	13	11.2	13	7.4	13	6.2	13
17	24	177 528	14.8	13	12.3	13	11.1	13	7.4	13	6.2	13
19	26	183 151	14.3	13	11.9	13	10.7	13	7.2	13	6.0	13
17	23	185 246	14.2	13	11.8	13	10.6	13	7.1	13	5.9	13
19	25	190 477	13.8	13	11.5	13	10.3	13	6.9	13	5.7	13
19	24	198 413	13.2	13	11.0	13	9.9	13	6.6	13	5.5	13
23	28	205 873	12.7	13	10.6	13	9.6	13	6.4	13	5.3	13
19	23	207 040	12.7	13	10.6	13	9.5	13	6.3	13	5.3	11
23	27	213 497	12.3	13	10.2	13	9.2	13	6.1	13	5.1	11
24	28	214 824	12.2	13	10.2	13	9.2	13	6.1	13	5.1	11
23	26	221 709	11.8	13	9.9	13	8.9	13	5.9	13	4.9	11
24	27	222 780	11.8	13	9.8	13	8.8	13	5.9	13	4.9	11
25	28	223 775	11.7	13	9.8	13	8.8	13	5.9	13	4.9	11
17	19	224 246	11.7	13	9.8	13	8.8	13	5.9	13	4.9	11
23	25	230 577	11.4	13	9.5	13	8.5	13	5.7	13	4.7	11
24	26	231 348	11.3	13	9.5	13	8.5	13	5.7	13	4.7	11
25	27	232 062	11.3	13	9.4	13	8.5	13	5.7	13	4.7	11
26	28	232 726	11.3	13	9.4	13	8.5	13	5.6	13	4.7	11
23	24	240 185	10.9	13	9.1	13	8.2	13	5.5	13	4.6	10
24	25	240 602	10.9	13	9.1	13	8.2	13	5.5	13	4.5	10
25	26	240 988	10.9	13	9.1	13	8.2	13	5.4	13	4.5	10
26	27	241 345	10.9	13	9.1	13	8.2	13	5.4	13	4.5	10
27	28	241 677	10.9	13	9.1	13	8.1	13	5.4	13	4.5	10
23	23	250 627	10.5	13	8.7	13	7.9	13	5.2	11	4.4	10
28	27	259 910	10.1	13	8.4	13	7.6	13	5.0	11	4.2	10
27	26	260 267	10.1	13	8.4	13	7.6	13	5.0	11	4.2	10
26	25	260 653	10.1	13	8.4	13	7.6	13	5.0	11	4.2	10
25	24	261 070	10.1	13	8.4	13	7.5	13	5.0	11	4.2	10
24	23	261 524	10.0	13	8.4	13	7.5	13	5.0	11	4.2	10
28	26	269 907	9.7	13	8.1	13	7.3	13	4.9	11	4.1	10
27	25	270 678	9.7	13	8.1	13	7.3	13	4.8	11	4.0	10
26	24	271 513	9.7	13	8.1	13	7.2	13	4.8	11	4.0	10
25	23	272 421	9.6	13	8.0	13	7.2	13	4.8	11	4.0	10
19	17	280 113	9.4	13	7.8	13	7.0	13	4.7	11	3.9	8
28	25	280 703	9.4	13	7.8	13	7.0	13	4.7	11	3.9	8
27	24	281 956	9.3	13	7.8	13	7.0	13	4.7	11	3.9	8
26	23	283 318	9.3	13	7.7	13	6.9	13	4.6	10	3.9	8
28	24	292 399	9.0	13	7.5	13	6.7	13	4.5	10	3.7	8
27	23	294 215	8.9	13	7.4	13	6.7	13	4.5	10	3.7	8
23	19	303 391	8.7	13	7.2	13	6.5	13	4.3	10	3.6	8
28	23	305 112	8.6	13	7.2	13	6.5	13	4.3	10	3.6	8
24	19	316 582	8.3	13	6.9	13	6.2	13	4.1	10	3.5	8
25	19	329 773	8.0	13	6.6	13	6.0	13	4.0	8	3.3	6
23	17	339 084	7.7	13	6.5	13	5.8	13	3.9	8	3.2	6
26	19	342 964	7.7	13	6.4	13	5.7	13	3.8	8	3.2	6
24	17	353 827	7.4	13	6.2	13	5.6	13	3.7	8	3.1	6
27	19	356 155	7.4	13	6.1	13	5.5	13	3.7	8	3.1	6
25	17	368 570	7.1	13	5.9	13	5.3	13	3.6	8	3.0	6
28	19	369 346	7.1	13	5.9	13	5.3	13	3.6	8	3.0	6
26	17	383 313	6.8	13	5.7	13	5.1	11	3.4	8	2.9	6
27	17	398 055	6.6	13	5.5	13	4.9	11	3.3	6	2.7	6
28	17	412 798	6.4	13	5.3	11	4.8	11	3.2	6	2.6	5

32370X

**YIELD PRO 1225 - 1625
110 Cell Wheel**

403-123D 4850-5950 seeds/kg
 403-124D 5950-7060 seeds/kg
 403-125D 6840-8380 seeds/kg
 403-126D 7940-8820 seeds/kg

SOYBEAN

Precision Meter

Ezee Glide Plus Required

Transmission Combinations		Seed Population (seeds/ha)	Twin Row 76.2cm 38.1cm Rows		Twin Row 91.4cm		50.8cm Rows		76.2cm Rows		91.4cm Rows	
Driving	Driven		Seed Spacing (cm)	Maximum Planting Speed (kph)	Seed Spacing (cm)	Maximum Planting Speed (kph)	Seed Spacing (cm)	Maximum Planting Speed (kph)	Seed Spacing (cm)	Maximum Planting Speed (kph)	Seed Spacing (cm)	Maximum Planting Speed (kph)
17	28	304 333	8.6	13	7.2	13	6.5	13	4.3	10	3.6	8
17	27	315 605	8.3	13	6.9	13	6.2	13	4.2	10	3.5	8
17	26	327 744	8.0	13	6.7	13	6.0	13	4.0	10	3.3	8
19	28	340 137	7.7	13	6.4	13	5.8	13	3.9	8	3.2	6
17	25	340 853	7.7	13	6.4	13	5.8	13	3.9	8	3.2	6
19	27	352 735	7.4	13	6.2	13	5.6	13	3.7	8	3.1	6
17	24	355 056	7.4	13	6.2	13	5.5	13	3.7	8	3.1	6
19	26	366 302	7.2	13	6.0	13	5.4	13	3.6	8	3.0	6
17	23	370 493	7.1	13	5.9	13	5.3	13	3.5	8	3.0	6
19	25	380 954	6.9	13	5.7	13	5.2	11	3.4	8	2.9	6
19	24	396 827	6.6	13	5.5	13	5.0	11	3.3	6	2.8	6
23	28	411 745	6.4	13	5.3	13	4.8	11	3.2	6	2.7	6
19	23	414 080	6.3	13	5.3	11	4.8	11	3.2	6	2.6	5
23	27	426 995	6.1	13	5.1	11	4.6	10	3.1	6	2.6	5
24	28	429 647	6.1	13	5.1	11	4.6	10	3.1	6	2.5	5
23	26	443 418	5.9	13	4.9	11	4.4	10	3.0	6	2.5	5
24	27	445 560	5.9	13	4.9	11	4.4	10	2.9	6	2.5	5
25	28	447 549	5.9	13	4.9	11	4.4	10	2.9	6	2.4	5
17	19	448 491	5.9	13	4.9	11	4.4	10	2.9	6	2.4	5
23	25	461 155	5.7	13	4.7	11	4.3	10	2.8	6	2.4	5
24	26	462 697	5.7	13	4.7	11	4.3	10	2.8	6	2.4	5
25	27	464 125	5.7	13	4.7	11	4.2	10	2.8	6	2.4	5
26	28	465 451	5.6	13	4.7	11	4.2	10	2.8	6	2.3	5
23	24	480 369	5.5	13	4.6	10	4.1	10	2.7	6	2.3	5
24	25	481 205	5.5	13	4.5	10	4.1	10	2.7	6	2.3	5
25	26	481 976	5.4	13	4.5	10	4.1	10	2.7	6	2.3	5
26	27	482 690	5.4	13	4.5	10	4.1	10	2.7	6	2.3	5
27	28	483 353	5.4	13	4.5	10	4.1	10	2.7	6	2.3	5
23	23	501 255	5.2	11	4.4	10	3.9	8	2.6	5	2.2	5
28	27	519 820	5.0	11	4.2	10	3.8	8	2.5	5	2.1	5
27	26	520 534	5.0	11	4.2	10	3.8	8	2.5	5	2.1	5
26	25	521 305	5.0	11	4.2	10	3.8	8	2.5	5	2.1	5
25	24	522 141	5.0	11	4.2	10	3.8	8	2.5	5	2.1	5
24	23	523 049	5.0	11	4.2	10	3.8	8	2.5	5	2.1	5
28	26	539 813	4.9	11	4.1	10	3.6	8	2.4	5	2.0	5
27	25	541 355	4.8	11	4.0	10	3.6	8	2.4	5	2.0	5
26	24	543 026	4.8	11	4.0	10	3.6	8	2.4	5	2.0	5
25	23	544 842	4.8	11	4.0	10	3.6	8	2.4	5	2.0	5
19	17	560 226	4.7	11	3.9	8	3.5	8	2.3	5	2.0	3
28	25	561 406	4.7	11	3.9	8	3.5	8	2.3	5	1.9	3
27	24	563 912	4.7	11	3.9	8	3.5	8	2.3	5	1.9	3
26	23	566 636	4.6	10	3.9	8	3.5	8	2.3	5	1.9	3
28	24	584 797	4.5	10	3.7	8	3.4	8	2.2	5	1.9	3
27	23	588 430	4.5	10	3.7	8	3.3	8	2.2	5	1.9	3
23	19	606 782	4.3	10	3.6	8	3.2	6	2.2	5	1.8	3
28	23	610 223	4.3	10	3.6	8	3.2	6	2.2	5	1.8	3
24	19	633 164	4.1	10	3.5	8	3.1	6	2.1	5	1.7	3
25	19	659 546	4.0	8	3.3	6	3.0	6	2.0	3	1.7	3
23	17	678 169	3.9	8	3.2	6	2.9	6	1.9	3	1.6	3
26	19	685 928	3.8	8	3.2	6	2.9	6	1.9	3	1.6	3
24	17	707 654	3.7	8	3.1	6	2.8	6	1.9	3	1.5	3
27	19	712 310	3.7	8	3.1	6	2.8	6	1.8	3	1.5	3
25	17	737 140	3.6	8	3.0	6	2.7	6	1.8	3	1.5	3
28	19	738 692	3.6	8	3.0	6	2.7	6	1.8	3	1.5	3
26	17	766 625	3.4	8	2.9	6	2.6	5	1.7	3	1.4	3
27	17	796 111	3.3	6	2.7	6	2.5	5	1.6	3	1.4	3
28	17	825 596	3.2	6	2.6	5	2.4	5	1.6	3	1.3	2

32370Y

**YP 1225 - 1625
110 Cell Wheel**

403-123D - 4850-5950 seeds/kg
403-124D - 5950-7050 seeds/kg
403-125D - 6830-8375 seeds/kg
403-126D - 7940-8820 seeds/kg

SOYBEAN
Precision Meter
Ezee Glide Plus Required

Transmission Combinations		Seed Population (seeds/ha)	70cm Rows	
Driving	Driven		Seed Spacing (cm)	Maximum Planting Speed (kph)
17	28	220 860	6.5	13
17	27	229 040	6.2	13
17	26	237 849	6.0	13
19	28	246 843	5.8	13
17	25	247 363	5.8	13
19	27	255 985	5.6	13
17	24	257 669	5.5	13
19	26	265 831	5.4	13
17	23	268 872	5.3	13
19	25	276 464	5.2	11
19	24	287 983	5.0	11
23	28	298 810	4.8	11
19	23	300 505	4.8	11
23	27	309 877	4.6	10
24	28	311 802	4.6	10
23	26	321 795	4.4	10
24	27	323 350	4.4	10
25	28	324 793	4.4	10
17	19	325 477	4.4	10
23	25	334 667	4.3	10
24	26	335 786	4.3	10
25	27	336 823	4.2	10
26	28	337 785	4.2	10
23	24	348 612	4.1	10
24	25	349 218	4.1	10
25	26	349 778	4.1	10
26	27	350 296	4.1	10
27	28	350 777	4.1	10
23	23	363 769	3.9	8
28	27	377 242	3.8	8
27	26	377 760	3.8	8
26	25	378 319	3.8	8
25	24	378 926	3.8	8
24	23	379 585	3.8	8
28	26	391 751	3.6	8
27	25	392 870	3.6	8
26	24	394 083	3.6	8
25	23	395 401	3.6	8
19	17	406 565	3.5	8
28	25	407 421	3.5	8
27	24	409 240	3.5	8
26	23	411 217	3.5	8
28	24	424 397	3.4	8
27	23	427 033	3.3	8
23	19	440 351	3.2	6
28	23	442 849	3.2	6
24	19	459 497	3.1	6
25	19	478 643	3.0	6
23	17	492 158	2.9	6
26	19	497 789	2.9	6
24	17	513 556	2.8	6
27	19	516 934	2.8	6
25	17	534 954	2.7	6
28	19	536 080	2.7	6
26	17	556 352	2.6	5
27	17	577 750	2.5	5
28	17	599 148	2.4	5

Seed Population (seeds/ha)	70cm Rows	
	Seed Spacing (cm)	Maximum Planting Speed (kph)
331 289	4.3	10
343 559	4.2	10
356 773	4.0	10
370 264	3.9	8
371 044	3.9	8
383 978	3.7	8
386 504	3.7	8
398 746	3.6	8
403 309	3.5	8
414 696	3.4	8
431 975	3.3	6
448 215	3.2	6
450 757	3.2	6
464 815	3.1	6
467 703	3.1	6
482 693	3.0	6
485 025	2.9	6
487 190	2.9	6
488 216	2.9	6
502 001	2.8	6
503 680	2.8	6
505 234	2.8	6
506 678	2.8	6
522 917	2.7	6
523 827	2.7	6
524 666	2.7	6
525 444	2.7	6
526 165	2.7	6
545 653	2.6	5
565 862	2.5	5
566 640	2.5	5
567 479	2.5	5
568 388	2.5	5
569 377	2.5	5
587 626	2.4	5
589 305	2.4	5
591 124	2.4	5
593 101	2.4	5
609 847	2.3	5
611 131	2.3	5
613 860	2.3	5
616 825	2.3	5
636 595	2.2	5
640 549	2.2	5
660 527	2.2	5
664 273	2.2	5
689 246	2.1	5
717 964	2.0	3
738 236	1.9	3
746 683	1.9	3
770 334	1.9	3
775 402	1.8	3
802 431	1.8	3
804 120	1.8	3
834 528	1.7	3
866 625	1.6	3
898 722	1.6	3

Finger Meter RPM Limits

6 Finger Meter

Seed Lubricant Required

	Planting Speed (kph)	Maximum Population (seeds/ha)	Minimum Population (seeds/ha)
Twin Row 70cm	6.4	135 706	71 844
35cm Rows	7.2	120 628	63 862
Max Min	8.0	108 565	57 475
rpm rpm	8.9	98 695	52 250
85 45	9.7	90 471	47 896
	10.5	83 511	44 212

	Planting Speed (kph)	Maximum Population (seeds/ha)	Minimum Population (seeds/ha)
55.9cm Rows	6.4	85 063	45 033
Max Min	7.2	75 612	40 030
rpm rpm	8.0	68 050	36 027
85 45	8.9	61 864	32 752
	9.7	56 709	30 022
	10.5	52 346	27 713

	Planting Speed (kph)	Maximum Population (seeds/ha)	Minimum Population (seeds/ha)
Twin Row 76.2cm	6.4	124 759	66 049
38.1cm Rows	7.2	110 897	58 710
Max Min	8.0	99 807	52 839
rpm rpm	8.9	90 734	48 036
85 45	9.7	83 173	44 033
	10.5	76 775	40 645

	Planting Speed (kph)	Maximum Population (seeds/ha)	Minimum Population (seeds/ha)
70cm Rows	6.4	67 853	35 922
Max Min	7.2	60 314	31 931
rpm rpm	8.0	54 282	28 738
85 45	8.9	49 348	26 125
	9.7	45 235	23 948
	10.5	41 756	22 106

	Planting Speed (kph)	Maximum Population (seeds/ha)	Minimum Population (seeds/ha)
Twin Row 91.4cm	6.4	103 966	55 041
Max Min	7.2	92 414	48 925
rpm rpm	8.0	83 173	44 033
85 45	8.9	75 612	40 030
	9.7	69 311	36 694
	10.5	63 979	33 871

	Planting Speed (kph)	Maximum Population (seeds/ha)	Minimum Population (seeds/ha)
76.2cm Rows	6.4	62 380	33 024
Max Min	7.2	55 448	29 355
rpm rpm	8.0	49 904	26 420
85 45	8.9	45 367	24 018
	9.7	41 586	22 016
	10.5	38 387	20 323

	Planting Speed (kph)	Maximum Population (seeds/ha)	Minimum Population (seeds/ha)
Twin Row 96.5cm	6.4	98 494	52 144
Max Min	7.2	87 550	46 350
rpm rpm	8.0	78 795	41 715
85 45	8.9	71 632	37 923
	9.7	65 663	34 763
	10.5	60 612	32 089

	Planting Speed (kph)	Maximum Population (seeds/ha)	Minimum Population (seeds/ha)
91.4cm Rows	6.4	51 983	27 520
Max Min	7.2	46 207	24 463
rpm rpm	8.0	41 586	22 016
85 45	8.9	37 806	20 015
	9.7	34 655	18 347
	10.5	31 990	16 936

	Planting Speed (kph)	Maximum Population (seeds/ha)	Minimum Population (seeds/ha)
Twin Row 101.6cm	6.4	93 569	49 537
50.8cm Rows	7.2	83 173	44 033
Max Min	8.0	74 855	39 629
rpm rpm	8.9	68 050	36 027
85 45	9.7	62 380	33 024
	10.5	57 581	30 484

	Planting Speed (kph)	Maximum Population (seeds/ha)	Minimum Population (seeds/ha)
96.5cm Rows	6.4	49 247	26 072
Max Min	7.2	43 775	23 175
rpm rpm	8.0	39 398	20 858
85 45	8.9	35 816	18 961
	9.7	32 831	17 381
	10.5	30 306	16 044

	Planting Speed (kph)	Maximum Population (seeds/ha)	Minimum Population (seeds/ha)
101.6cm Rows	6.4	46 785	24 768
Max Min	7.2	41 586	22 016
rpm rpm	8.0	37 428	19 815
85 45	8.9	34 025	18 013
	9.7	31 190	16 512
	10.5	28 791	15 242

.eps
114.0%

32819J

Finger Meter RPM Limits

12 Finger Meter

Seed Lubricant Required

	Planting Speed (kph)	Maximum Population (seeds/ha)	Minimum Population (seeds/ha)
Twin Row 70cm	6.4	239 481	143 689
35cm Rows	7.2	212 872	127 723
Max rpm	8.0	191 585	114 951
Min rpm	8.9	174 168	104 501
75	9.7	159 654	95 792
45	10.5	147 373	88 424

	Planting Speed (kph)	Maximum Population (seeds/ha)	Minimum Population (seeds/ha)
Twin Row 76.2cm	6.4	220 163	132 098
38.1cm Rows	7.2	195 701	117 420
Max rpm	8.0	176 130	105 678
Min rpm	8.9	160 119	96 071
75	9.7	146 775	88 065
45	10.5	135 485	81 291

	Planting Speed (kph)	Maximum Population (seeds/ha)	Minimum Population (seeds/ha)
Twin Row 91.4cm	6.4	183 469	110 082
Max rpm	7.2	163 084	97 850
Min rpm	8.0	146 775	88 065
75	8.9	133 432	80 059
45	9.7	122 313	73 388
	10.5	112 904	67 742

	Planting Speed (kph)	Maximum Population (seeds/ha)	Minimum Population (seeds/ha)
Twin Row 96.5cm	6.4	173 813	104 288
Max rpm	7.2	154 500	92 700
Min rpm	8.0	139 050	83 430
75	8.9	126 409	75 846
45	9.7	115 875	69 525
	10.5	106 962	64 177

	Planting Speed (kph)	Maximum Population (seeds/ha)	Minimum Population (seeds/ha)
Twin Row 101.6cm	6.4	165 122	99 073
50.8cm Rows	7.2	146 775	88 065
Max rpm	8.0	132 098	79 259
Min rpm	8.9	120 089	72 053
75	9.7	110 082	66 049
45	10.5	101 614	60 968

	Planting Speed (kph)	Maximum Population (seeds/ha)	Minimum Population (seeds/ha)
55.9cm Rows	6.4	150 111	90 067
Max rpm	7.2	133 432	80 059
Min rpm	8.0	120 089	72 053
75	8.9	109 172	65 503
45	9.7	100 074	60 044
	10.5	92 376	55 426

	Planting Speed (kph)	Maximum Population (seeds/ha)	Minimum Population (seeds/ha)
70cm Rows	6.4	119 741	71 844
Max rpm	7.2	106 436	63 862
Min rpm	8.0	95 792	57 475
75	8.9	87 084	52 250
45	9.7	79 827	47 896
	10.5	73 687	44 212

	Planting Speed (kph)	Maximum Population (seeds/ha)	Minimum Population (seeds/ha)
76.2cm Rows	6.4	110 082	66 049
Max rpm	7.2	97 850	58 710
Min rpm	8.0	88 065	52 839
75	8.9	80 059	48 036
45	9.7	73 388	44 033
	10.5	67 742	40 645

	Planting Speed (kph)	Maximum Population (seeds/ha)	Minimum Population (seeds/ha)
91.4cm Rows	6.4	91 735	55 041
Max rpm	7.2	81 542	48 925
Min rpm	8.0	73 388	44 033
75	8.9	66 716	40 030
45	9.7	61 156	36 694
	10.5	56 452	33 871

	Planting Speed (kph)	Maximum Population (seeds/ha)	Minimum Population (seeds/ha)
96.5cm Rows	6.4	86 906	52 144
Max rpm	7.2	77 250	46 350
Min rpm	8.0	69 525	41 715
75	8.9	63 205	37 923
45	9.7	57 938	34 763
	10.5	53 481	32 089

	Planting Speed (kph)	Maximum Population (seeds/ha)	Minimum Population (seeds/ha)
101.6cm Rows	6.4	82 561	49 537
Max rpm	7.2	73 388	44 033
Min rpm	8.0	66 049	39 629
75	8.9	60 044	36 027
45	9.7	55 041	33 024
	10.5	50 807	30 484

.eps
112.0%

32819K

Ground Drive Finger Meter Charts - Metric

YP 1225 - 1625

50.8cm Rows

6 Finger Meter

ATTENTION !!! (For all seed corn types)

Great Plains always recommends test stand calibration of the finger meter to the population and ground speed desired .

For Round Corn optimum meter speed is 45 to 75 RPM
(Shaded & Non-shaded areas)

For Flat Corn optimum meter speed is 60 to 75 RPM
(Shaded area)

Range Sprockets		Driving = 30 Driven = 20		Ground Speed								
Transmission Combinations		Seed Population (seeds/ha)	Seed Spacing (cm)	11.3 kph Meter (rpm)	10.5 kph Meter (rpm)	9.7 kph Meter (rpm)	8.9 kph Meter (rpm)	8 kph Meter (rpm)	7.2 kph Meter (rpm)	6.4 kph Meter (rpm)	5.6 kph Meter (rpm)	
Driving	Driven											
17	28	37 350	52.7	59	55	51	47					
17	27	38 733	50.8	62	57	53	48					
17	26	40 223	48.9	64	59	55	50	46				
19	28	41 744	47.2	66	62	57	52	47				
17	25	41 832	47.1	67	62	57	52	48				
19	27	43 290	45.5	69	64	59	54	49				
17	24	43 575	45.2	69	64	59	54	49	45			
19	26	44 955	43.8	71	66	61	56	51	46			
17	23	45 470	43.3	72	67	62	57	52	46			
19	25	46 753	42.1	74	69	64	58	53	48			
19	24	48 701	40.4		72	66	61	55	50			
23	28	50 532	39.0		75	69	63	57	52	46		
19	23	50 819	38.7		75	69	63	58	52	46		
23	27	52 404	37.6			71	65	60	54	48		
24	28	52 729	37.3			72	66	60	54	48		
23	26	54 419	36.2			74	68	62	56	49		
24	27	54 682	36.0			75	68	62	56	50		
25	28	54 926	35.8			75	69	62	56	50		
17	19	55 042	35.8			75	69	63	56	50		
23	25	56 596	34.8				71	64	58	51	45	
24	26	56 786	34.7				71	64	58	52	45	
25	27	56 961	34.6				71	65	58	52	45	
26	28	57 124	34.5				71	65	58	52	45	
23	24	58 954	33.4				74	67	60	54	47	
24	25	59 057	33.3				74	67	60	54	47	
25	26	59 152	33.3				74	67	60	54	47	
26	27	59 239	33.2				74	67	61	54	47	
27	28	59 321	33.2				74	67	61	54	47	
23	23	61 518	32.0					70	63	56	49	
28	27	63 796	30.9					72	65	58	51	
27	26	63 884	30.8					73	65	58	51	
26	25	63 978	30.8					73	65	58	51	
25	24	64 081	30.7					73	65	58	51	
24	23	64 192	30.7					73	66	58	51	
28	26	66 250	29.7					75	68	60	53	
27	25	66 439	29.6					75	68	60	53	
26	24	66 644	29.5						68	61	53	
25	23	66 867	29.4						68	61	53	
19	17	68 755	28.6						70	62	55	
28	25	68 900	28.6						70	63	55	
27	24	69 207	28.4						71	63	55	
26	23	69 542	28.3						71	63	55	
28	24	71 771	27.4						73	65	57	
27	23	72 216	27.3						74	66	57	
23	19	74 469	26.4							68	59	
28	23	74 891	26.3							68	60	
24	19	77 707	25.3							71	62	
25	19	80 944	24.3							74	64	
23	17	83 230	23.7								66	
26	19	84 182	23.4								67	
24	17	86 848	22.7								69	
27	19	87 420	22.5								69	
25	17	90 467	21.8								72	
28	19	90 658	21.7								72	
26	17	94 086	20.9								75	
27	17	97 705	20.1									
28	17	101 323	19.4									

32370A

YP 1225 - 1625

**50.8cm Rows
12 Finger Meter**

ATTENTION !!! (For all seed corn types)

Great Plains always recommends test stand calibration of the finger meter to the population and ground speed desired .

For Round Corn optimum meter speed is 45 to 75 RPM
(Shaded & Non-shaded areas)

For Flat Corn optimum meter speed is 60 to 75 RPM
(Shaded area)

Range Sprockets		Driving = 30 Driven = 30		Ground Speed							
Transmission Combinations		Seed Population (seeds/ha)	Seed Spacing (cm)	11.3 kph Meter (rpm)	10.5 kph Meter (rpm)	9.7 kph Meter (rpm)	8.9 kph Meter (rpm)	8 kph Meter (rpm)	7.2 kph Meter (rpm)	6.4 kph Meter (rpm)	5.6 kph Meter (rpm)
Driving	Driven										
17	28	49 800	39.5								
17	27	51 644	38.1								
17	26	53 631	36.7								
19	28	55 659	35.4								
17	25	55 776	35.3								
19	27	57 720	34.1	46							
17	24	58 100	33.9	46							
19	26	59 940	32.8	48							
17	23	60 626	32.5	48	45						
19	25	62 338	31.6	50	46						
19	24	64 935	30.3	52	48						
23	28	67 376	29.2	54	50	46					
19	23	67 759	29.1	54	50	46					
23	27	69 872	28.2	56	52	48					
24	28	70 306	28.0	56	52	48					
23	26	72 559	27.1	58	54	49	45				
24	27	72 910	27.0	58	54	50	46				
25	28	73 235	26.9	58	54	50	46				
17	19	73 389	26.8	58	54	50	46				
23	25	75 462	26.1	60	56	51	47				
24	26	75 714	26.0	60	56	52	47				
25	27	75 948	25.9	60	56	52	47				
26	28	76 165	25.8	61	56	52	48				
23	24	78 606	25.0	62	58	54	49	45			
24	25	78 743	25.0	63	58	54	49	45			
25	26	78 869	25.0	63	58	54	49	45			
26	27	78 986	24.9	63	58	54	49	45			
27	28	79 094	24.9	63	58	54	49	45			
23	23	82 024	24.0	65	61	56	51	47			
28	27	85 061	23.1	68	63	58	53	48			
27	26	85 178	23.1	68	63	58	53	48			
26	25	85 304	23.1	68	63	58	53	48			
25	24	85 441	23.0	68	63	58	53	49			
24	23	85 590	23.0	68	63	58	53	49			
28	26	88 333	22.3	70	65	60	55	50	45		
27	25	88 585	22.2	70	65	60	55	50	45		
26	24	88 859	22.2	71	66	61	55	50	45		
25	23	89 156	22.1	71	66	61	56	51	46		
19	17	91 673	21.5	73	68	62	57	52	47		
28	25	91 866	21.4	73	68	63	57	52	47		
27	24	92 276	21.3	73	68	63	58	52	47		
26	23	92 722	21.2	74	68	63	58	53	47		
28	24	95 694	20.6		71	65	60	54	49		
27	23	96 289	20.4		71	66	60	55	49		
23	19	99 292	19.8		73	68	62	56	51	45	
28	23	99 855	19.7		74	68	62	57	51	45	
24	19	103 609	19.0			71	65	59	53	47	
25	19	107 926	18.2			74	67	61	55	49	
23	17	110 973	17.7				69	63	57	50	
26	19	112 243	17.5				70	64	57	51	45
24	17	115 798	17.0				72	66	59	53	46
27	19	116 560	16.9				73	66	60	53	46
25	17	120 623	16.3				75	68	62	55	48
28	19	120 877	16.3				75	69	62	55	48
26	17	125 448	15.7					71	64	57	50
27	17	130 273	15.1					74	67	59	52
28	17	135 098	14.6						69	61	54

Not Recommended

32370B

YP 1225 - 1625

70cm Rows
12 Finger Meter

Low Range

ATTENTION !!! (For all seed corn types)

Great Plains always recommends test stand calibration of the finger meter to the population and ground speed desired .

For Round Corn optimum meter speed is 45 to 75 RPM
(Shaded & Non-shaded areas)

For Flat Corn optimum meter speed is 60 to 75 RPM
(Shaded area)

Range Sprockets		Driving = 30 Driven = 30		Ground Speed							
Transmission Combinations		Seed Population	Seed Spacing	11.3 kph	10.5 kph	9.7 kph	8.9 kph	8 kph	7.2 kph	6.4 kph	5.6 kph
Driving	Driven	(seeds/ha)	(cm)	Meter (rpm)	Meter (rpm)	Meter (rpm)	Meter (rpm)	Meter (rpm)	Meter (rpm)	Meter (rpm)	Meter (rpm)
17	28	36 141	39.5								
17	27	37 479	38.1								
17	26	38 921	36.7								
19	28	40 392	35.4								
17	25	40 478	35.3								
19	27	41 889	34.1	46							
17	24	42 164	33.9	46							
19	26	43 500	32.8	48							
17	23	43 997	32.5	48	45						
19	25	45 240	31.6	50	46						
19	24	47 125	30.3	52	48						
23	28	48 896	29.2	54	50	46					
19	23	49 173	29.1	54	50	46					
23	27	50 707	28.2	56	52	48					
24	28	51 022	28.0	56	52	48					
23	26	52 657	27.1	58	54	49	45				
24	27	52 912	27.0	58	54	50	46				
25	28	53 148	26.9	58	54	50	46				
17	19	53 260	26.8	58	54	50	46				
23	25	54 764	26.1	60	56	51	47				
24	26	54 947	26.0	60	56	52	47				
25	27	55 116	25.9	60	56	52	47				
26	28	55 274	25.8	61	56	52	48				
23	24	57 046	25.0	62	58	54	49	45			
24	25	57 145	25.0	63	58	54	49	45			
25	26	57 236	25.0	63	58	54	49	45			
26	27	57 321	24.9	63	58	54	49	45			
27	28	57 400	24.9	63	58	54	49	45			
23	23	59 526	24.0	65	61	56	51	47			
28	27	61 730	23.1	68	63	58	53	48			
27	26	61 815	23.1	68	63	58	53	48			
26	25	61 907	23.1	68	63	58	53	48			
25	24	62 006	23.0	68	63	58	53	49			
24	23	62 114	23.0	68	63	58	53	49			
28	26	64 105	22.3	70	65	60	55	50	45		
27	25	64 288	22.2	70	65	60	55	50	45		
26	24	64 486	22.2	71	66	61	55	50	45		
25	23	64 702	22.1	71	66	61	56	51	46		
19	17	66 529	21.5	73	68	62	57	52	47		
28	25	66 669	21.4	73	68	63	57	52	47		
27	24	66 966	21.3	73	68	63	58	52	47		
26	23	67 290	21.2	74	68	63	58	53	47		
28	24	69 447	20.6		71	65	60	54	49		
27	23	69 878	20.4		71	66	60	55	49		
23	19	72 058	19.8		73	68	62	56	51	45	
28	23	72 466	19.7		74	68	62	57	51	45	
24	19	75 190	19.0			71	65	59	53	47	
25	19	78 323	18.2			74	67	61	55	49	
23	17	80 535	17.7				69	63	57	50	
26	19	81 456	17.5				70	64	57	51	45
24	17	84 036	17.0				72	66	59	53	46
27	19	84 589	16.9				73	66	60	53	46
25	17	87 538	16.3	Not Recommended			75	68	62	55	48
28	19	87 722	16.3				75	69	62	55	48
26	17	91 039	15.7					71	64	57	50
27	17	94 541	15.1					74	67	59	52
28	17	98 042	14.6					69	61	54	

YP 1225 - 1625

**70cm Rows
12 Finger Meter**

High Range

ATTENTION !!! (For all seed corn types)

Great Plains always recommends test stand calibration of the finger meter to the population and ground speed desired .

For Round Corn optimum meter speed is 45 to 75 RPM
(Shaded & Non-shaded areas)

For Flat Corn optimum meter speed is 60 to 75 RPM
(Shaded area)

Range		Driving = 30 Driven = 20		Ground Speed							
Transmission Combinations		Seed Population	Seed Spacing	11.3 kph	10.5 kph	9.7 kph	8.9 kph	8 kph	7.2 kph	6.4 kph	5.6 kph
Driving	Driven	(seeds/ha)	(cm)	Meter (rpm)	Meter (rpm)	Meter (rpm)	Meter (rpm)	Meter (rpm)	Meter (rpm)	Meter (rpm)	Meter (rpm)
17	28	54 211	26.4	59	55	51	47				
17	27	56 219	25.4	62	57	53	48				
17	26	58 381	24.5	64	59	55	50	46			
19	28	60 589	23.6	66	62	57	52	47			
17	25	60 716	23.5	67	62	57	52	48			
19	27	62 833	22.7	69	64	59	54	49			
17	24	63 246	22.6	69	64	59	54	49	45		
19	26	65 249	21.9	71	66	61	56	51	46		
17	23	65 996	21.6	72	67	62	57	52	46		
19	25	67 859	21.1	74	69	64	58	53	48		
19	24	70 687	20.2		72	66	61	55	50		
23	28	73 344	19.5		75	69	63	57	52	46	
19	23	73 760	19.4		75	69	63	58	52	46	
23	27	76 061	18.8			71	65	60	54	48	
24	28	76 533	18.7			72	66	60	54	48	
23	26	78 986	18.1			74	68	62	56	49	
24	27	79 368	18.0			75	68	62	56	50	
25	28	79 722	17.9			75	69	62	56	50	
17	19	79 890	17.9			75	69	63	56	50	
23	25	82 146	17.4				71	64	58	51	45
24	26	82 420	17.3				71	64	58	52	45
25	27	82 675	17.3				71	65	58	52	45
26	28	82 911	17.2				71	65	58	52	45
23	24	85 568	16.7				74	67	60	54	47
24	25	85 717	16.7				74	67	60	54	47
25	26	85 854	16.6				74	67	60	54	47
26	27	85 982	16.6				74	67	61	54	47
27	28	86 100	16.6				74	67	61	54	47
23	23	89 289	16.0					70	63	56	49
28	27	92 596	15.4					72	65	58	51
27	26	92 723	15.4					73	65	58	51
26	25	92 860	15.4					73	65	58	51
25	24	93 009	15.4					73	65	58	51
24	23	93 171	15.3					73	66	58	51
28	26	96 157	14.9					75	68	60	53
27	25	96 432	14.8					75	68	60	53
26	24	96 729	14.8						68	61	53
25	23	97 053	14.7						68	61	53
19	17	99 793	14.3						70	62	55
28	25	100 003	14.3						70	63	55
27	24	100 450	14.2						71	63	55
26	23	100 935	14.2						71	63	55
28	24	104 170	13.7						73	65	57
27	23	104 817	13.6						74	66	57
23	19	108 086	13.2							68	59
28	23	108 699	13.1							68	60
24	19	112 786	12.7							71	62
25	19	117 485	12.2							74	64
23	17	120 802	11.8								66
26	19	122 184	11.7								67
24	17	126 055	11.3								69
27	19	126 884	11.3								69
25	17	131 307	10.9								72
28	19	131 583	10.9								72
26	17	136 559	10.5								75
27	17	141 811	10.1								
28	17	147 064	9.7								

YP 1225 - 1625

**Twin Row 76.2cm
6 Finger Meter**

Low Range

ATTENTION !!! (For all seed corn types)

Great Plains always recommends test stand calibration of the finger meter to the population and ground speed desired .

For Round Corn optimum meter speed is 45 to 85 RPM
(Shaded & Non-shaded areas)

For Flat Corn optimum meter speed is 60 to 85 RPM
(Shaded area)

Range Sprockets		Driving = 30 Driven = 30		Ground Speed							
Transmission Combinations		Seed Population (seeds/ha)	Seed Spacing (cm)	11.3 kph Meter (rpm)	10.5 kph Meter (rpm)	9.7 kph Meter (rpm)	8.9 kph Meter (rpm)	8 kph Meter (rpm)	7.2 kph Meter (rpm)	6.4 kph Meter (rpm)	5.6 kph Meter (rpm)
Driving	Driven										
17	28	33 200	79.1								
17	27	34 430	76.2								
17	26	35 754	73.4								
19	28	37 106	70.7								
17	25	37 184	70.6								
19	27	38 480	68.2	46							
17	24	38 733	67.8	46							
19	26	39 960	65.7	48							
17	23	40 417	64.9	48	45						
19	25	41 559	63.2	50	46						
19	24	43 290	60.6	52	48						
23	28	44 918	58.4	54	50	46					
19	23	45 172	58.1	54	50	46					
23	27	46 581	56.3	56	52	48					
24	28	46 871	56.0	56	52	48					
23	26	48 373	54.3	58	54	49	45				
24	27	48 607	54.0	58	54	50	46				
25	28	48 824	53.8	58	54	50	46				
17	19	48 926	53.6	58	54	50	46				
23	25	50 308	52.2	60	56	51	47				
24	26	50 476	52.0	60	56	52	47				
25	27	50 632	51.8	60	56	52	47				
26	28	50 776	51.7	61	56	52	48				
23	24	52 404	50.1	62	58	54	49	45			
24	25	52 495	50.0	63	58	54	49	45			
25	26	52 579	49.9	63	58	54	49	45			
26	27	52 657	49.8	63	58	54	49	45			
27	28	52 729	49.8	63	58	54	49	45			
23	23	54 682	48.0	65	61	56	51	47			
28	27	56 708	46.3	68	63	58	53	48			
27	26	56 786	46.2	68	63	58	53	48			
26	25	56 870	46.2	68	63	58	53	48			
25	24	56 961	46.1	68	63	58	53	49			
24	23	57 060	46.0	68	63	58	53	49			
28	26	58 889	44.6	70	65	60	55	50	45		
27	25	59 057	44.4	70	65	60	55	50	45		
26	24	59 239	44.3	71	66	61	55	50	45		
25	23	59 437	44.2	71	66	61	56	51	46		
19	17	61 116	42.9	73	68	62	57	52	47		
28	25	61 244	42.9	73	68	63	57	52	47		
27	24	61 518	42.7	73	68	63	58	52	47		
26	23	61 815	42.5	74	68	63	58	53	47		
28	24	63 796	41.1	76	71	65	60	54	49		
27	23	64 192	40.9	77	71	66	60	55	49		
23	19	66 194	39.7	79	73	68	62	56	51	45	
28	23	66 570	39.4	79	74	68	62	57	51	45	
24	19	69 072	38.0	82	76	71	65	59	53	47	
25	19	71 950	36.5		80	74	67	61	55	49	
23	17	73 982	35.5		82	76	69	63	57	50	
26	19	74 828	35.1		83	76	70	64	57	51	45
24	17	77 199	34.0		85	79	72	66	59	53	46
27	19	77 707	33.8			79	73	66	60	53	46
25	17	80 415	32.6			82	75	68	62	55	48
28	19	80 585	32.6			82	75	69	62	55	48
26	17	83 632	31.4			85	78	71	64	57	50
27	17	86 848	30.2	Not Recommended			81	74	67	59	52
28	17	90 065	29.1	Not Recommended			84	77	69	61	54

32370C

YP 1225 - 1625

**Twin Row 76.2cm
6 Finger Meter**

High Range

ATTENTION !!! (For all seed corn types)

Great Plains always recommends test stand calibration of the finger meter to the population and ground speed desired .

For Round Corn optimum meter speed is 45 to 85 RPM
(Shaded & Non-shaded areas)

For Flat Corn optimum meter speed is 60 to 85 RPM
(Shaded area)

Range Sprockets		Driving = 30 Driven = 20		Ground Speed							
Transmission Combinations		Seed Population (seeds/ha)	Seed Spacing (cm)	11.3 kph Meter (rpm)	10.5 kph Meter (rpm)	9.7 kph Meter (rpm)	8.9 kph Meter (rpm)	8 kph Meter (rpm)	7.2 kph Meter (rpm)	6.4 kph Meter (rpm)	5.6 kph Meter (rpm)
Driving	Driven										
17	28	49 800	52.7	59	55	51	47				
17	27	51 644	50.8	62	57	53	48				
17	26	53 631	48.9	64	59	55	50	46			
19	28	55 659	47.2	66	62	57	52	47			
17	25	55 776	47.1	67	62	57	52	48			
19	27	57 720	45.5	69	64	59	54	49			
17	24	58 100	45.2	69	64	59	54	49	45		
19	26	59 940	43.8	71	66	61	56	51	46		
17	23	60 626	43.3	72	67	62	57	52	46		
19	25	62 338	42.1	74	69	64	58	53	48		
19	24	64 935	40.4	77	72	66	61	55	50		
23	28	67 376	39.0	80	75	69	63	57	52	46	
19	23	67 759	38.7	81	75	69	63	58	52	46	
23	27	69 872	37.6	83	77	71	65	60	54	48	
24	28	70 306	37.3	84	78	72	66	60	54	48	
23	26	72 559	36.2		80	74	68	62	56	49	
24	27	72 910	36.0		81	75	68	62	56	50	
25	28	73 235	35.8		81	75	69	62	56	50	
17	19	73 389	35.8		81	75	69	63	56	50	
23	25	75 462	34.8		84	77	71	64	58	51	45
24	26	75 714	34.7		84	77	71	64	58	52	45
25	27	75 948	34.6		84	78	71	65	58	52	45
26	28	76 165	34.5		84	78	71	65	58	52	45
23	24	78 606	33.4			80	74	67	60	54	47
24	25	78 743	33.3			80	74	67	60	54	47
25	26	78 869	33.3			81	74	67	60	54	47
26	27	78 986	33.2			81	74	67	61	54	47
27	28	79 094	33.2			81	74	67	61	54	47
23	23	82 024	32.0			84	77	70	63	56	49
28	27	85 061	30.9				80	72	65	58	51
27	26	85 178	30.8				80	73	65	58	51
26	25	85 304	30.8				80	73	65	58	51
25	24	85 441	30.7				80	73	65	58	51
24	23	85 590	30.7				80	73	66	58	51
28	26	88 333	29.7				83	75	68	60	53
27	25	88 585	29.6				83	75	68	60	53
26	24	88 859	29.5				83	76	68	61	53
25	23	89 156	29.4				84	76	68	61	53
19	17	91 673	28.6					78	70	62	55
28	25	91 866	28.6					78	70	63	55
27	24	92 276	28.4					79	71	63	55
26	23	92 722	28.3					79	71	63	55
28	24	95 694	27.4					81	73	65	57
27	23	96 289	27.3					82	74	66	57
23	19	99 292	26.4					85	76	68	59
28	23	99 855	26.3					85	77	68	60
24	19	103 609	25.3						79	71	62
25	19	107 926	24.3						83	74	64
23	17	110 973	23.7						85	76	66
26	19	112 243	23.4							76	67
24	17	115 798	22.7							79	69
27	19	116 560	22.5							79	69
25	17	120 623	21.8							82	72
28	19	120 877	21.7							82	72
26	17	125 448	20.9							85	75
27	17	130 273	20.1								78
28	17	135 098	19.4								81

32370D

YP 1225 - 1625

**Twin Row 76.2cm
12 Finger Meter**

ATTENTION !!! (For all seed corn types)

Great Plains always recommends test stand calibration of the finger meter to the population and ground speed desired .

For Round Corn optimum meter speed is 45 to 75 RPM
(Shaded & Non-shaded areas)

For Flat Corn optimum meter speed is 60 to 75 RPM
(Shaded area)

Range Sprockets		Driving = 15 Driven = 20		Ground Speed							
Transmission Combinations		Seed Population (seeds/ha)	Seed Spacing (cm)	11.3 kph Meter (rpm)	10.5 kph Meter (rpm)	9.7 kph Meter (rpm)	8.9 kph Meter (rpm)	8 kph Meter (rpm)	7.2 kph Meter (rpm)	6.4 kph Meter (rpm)	5.6 kph Meter (rpm)
Driving	Driven										
17	28	49 800	52.7								
17	27	51 644	50.8								
17	26	53 631	48.9								
19	28	55 659	47.2								
17	25	55 776	47.1								
19	27	57 720	45.5								
17	24	58 100	45.2								
19	26	59 940	43.8								
17	23	60 626	43.3								
19	25	62 338	42.1								
19	24	64 935	40.4								
23	28	67 376	39.0								
19	23	67 759	38.7								
23	27	69 872	37.6								
24	28	70 306	37.3								
23	26	72 559	36.2								
24	27	72 910	36.0								
25	28	73 235	35.8								
17	19	73 389	35.8								
23	25	75 462	34.8	45							
24	26	75 714	34.7	45							
25	27	75 948	34.6	45							
26	28	76 165	34.5	45							
23	24	78 606	33.4	47							
24	25	78 743	33.3	47							
25	26	78 869	33.3	47							
26	27	78 986	33.2	47							
27	28	79 094	33.2	47							
23	23	82 024	32.0	49	45						
28	27	85 061	30.9	51	47						
27	26	85 178	30.8	51	47						
26	25	85 304	30.8	51	47						
25	24	85 441	30.7	51	47						
24	23	85 590	30.7	51	47						
28	26	88 333	29.7	53	49	45					
27	25	88 585	29.6	53	49	45					
26	24	88 859	29.5	53	49	45					
25	23	89 156	29.4	53	49	46					
19	17	91 673	28.6	55	51	47					
28	25	91 866	28.6	55	51	47					
27	24	92 276	28.4	55	51	47					
26	23	92 722	28.3	55	51	47					
28	24	95 694	27.4	57	53	49	45				
27	23	96 289	27.3	57	53	49	45				
23	19	99 292	26.4	59	55	51	47				
28	23	99 855	26.3	60	55	51	47				
24	19	103 609	25.3	62	57	53	49				
25	19	107 926	24.3	64	60	55	51	46			
23	17	110 973	23.7	66	61	57	52	47			
26	19	112 243	23.4	67	62	57	53	48			
24	17	115 798	22.7	69	64	59	54	49			
27	19	116 560	22.5	69	65	60	55	50	45		
25	17	120 623	21.8	72	67	62	56	51	46		
28	19	120 877	21.7	72	67	62	57	51	46		
26	17	125 448	20.9	75	69	64	59	53	48		
27	17	130 273	20.1		72	67	61	55	50		
28	17	135 098	19.4		75	69	63	58	52	46	

Not Recommended

32370E

YP 1225 - 1625

**76.2cm Rows
6 Finger Meter**

ATTENTION !!! (For all seed corn types)

Great Plains always recommends test stand calibration of the finger meter to the population and ground speed desired .

For Round Corn optimum meter speed is 45 to 75 RPM
(Shaded & Non-shaded areas)

For Flat Corn optimum meter speed is 60 to 75 RPM
(Shaded area)

Range		Driving = 30 Driven = 15		Ground Speed							
Sprockets		Seed Population (seeds/ha)	Seed Spacing (cm)	11.3 kph	10.5 kph	9.7 kph	8.9 kph	8 kph	7.2 kph	6.4 kph	5.6 kph
Transmission Combinations	Driving			Driven	Meter (rpm)	Meter (rpm)	Meter (rpm)	Meter (rpm)	Meter (rpm)	Meter (rpm)	Meter (rpm)
17	28	33 200	39.5		74	68	62	57	51	45	
17	27	34 430	38.1			70	65	59	53	47	
17	26	35 754	36.7			73	67	61	55	49	
19	28	37 106	35.4				70	63	57	51	
17	25	37 184	35.3				70	63	57	51	
19	27	38 480	34.1				72	66	59	52	46
17	24	38 733	33.9				73	66	59	53	46
19	26	39 960	32.8				75	68	61	54	48
17	23	40 417	32.5					69	62	55	48
19	25	41 559	31.6					71	64	57	50
19	24	43 290	30.3					74	66	59	52
23	28	44 918	29.2						69	61	54
19	23	45 172	29.1						69	62	54
23	27	46 581	28.2						71	63	56
24	28	46 871	28.0						72	64	56
23	26	48 373	27.1						74	66	58
24	27	48 607	27.0						75	66	58
25	28	48 824	26.9						75	67	58
17	19	48 926	26.8						75	67	58
23	25	50 308	26.1							69	60
24	26	50 476	26.0							69	60
25	27	50 632	25.9							69	60
26	28	50 776	25.8							69	61
23	24	52 404	25.0							71	62
24	25	52 495	25.0							72	63
25	26	52 579	25.0							72	63
26	27	52 657	24.9							72	63
27	28	52 729	24.9							72	63
23	23	54 682	24.0							75	65
28	27	56 708	23.1								68
27	26	56 786	23.1								68
26	25	56 870	23.1								68
25	24	56 961	23.0								68
24	23	57 060	23.0								68
28	26	58 889	22.3								70
27	25	59 057	22.2								70
26	24	59 239	22.2								71
25	23	59 437	22.1								71
19	17	61 116	21.5								73
28	25	61 244	21.4								73
27	24	61 518	21.3								73
26	23	61 815	21.2								74
28	24	63 796	20.6								
27	23	64 192	20.4								
23	19	66 194	19.8								
28	23	66 570	19.7								
24	19	69 072	19.0								
25	19	71 950	18.2								
23	17	73 982	17.7								
26	19	74 828	17.5								
24	17	77 199	17.0								
27	19	77 707	16.9								
25	17	80 415	16.3								
28	19	80 585	16.3								
26	17	83 632	15.7								
27	17	86 848	15.1								
28	17	90 065	14.6								

32370F

YP 1225 - 1625

**76.2cm Rows
12 Finger Meter**

Low Range

ATTENTION !!! (For all seed corn types)

Great Plains always recommends test stand calibration of the finger meter to the population and ground speed desired .

For Round Corn optimum meter speed is 45 to 75 RPM
(Shaded & Non-shaded areas)

For Flat Corn optimum meter speed is 60 to 75 RPM
(Shaded area)

Range		Driving = 30		Ground Speed								
Sprockets		Driven = 30		11.3 kph Meter (rpm)	10.5 kph Meter (rpm)	9.7 kph Meter (rpm)	8.9 kph Meter (rpm)	8 kph Meter (rpm)	7.2 kph Meter (rpm)	6.4 kph Meter (rpm)	5.6 kph Meter (rpm)	
Transmission Combinations	Seed Population (seeds/ha)	Seed Spacing (cm)	Driving									Driven
17	28	33 200	39.5									
17	27	34 430	38.1									
17	26	35 754	36.7									
19	28	37 106	35.4									
17	25	37 184	35.3									
19	27	38 480	34.1	46								
17	24	38 733	33.9	46								
19	26	39 960	32.8	48								
17	23	40 417	32.5	48	45							
19	25	41 559	31.6	50	46							
19	24	43 290	30.3	52	48							
23	28	44 918	29.2	54	50	46						
19	23	45 172	29.1	54	50	46						
23	27	46 581	28.2	56	52	48						
24	28	46 871	28.0	56	52	48						
23	26	48 373	27.1	58	54	49	45					
24	27	48 607	27.0	58	54	50	46					
25	28	48 824	26.9	58	54	50	46					
17	19	48 926	26.8	58	54	50	46					
23	25	50 308	26.1	60	56	51	47					
24	26	50 476	26.0	60	56	52	47					
25	27	50 632	25.9	60	56	52	47					
26	28	50 776	25.8	61	56	52	48					
23	24	52 404	25.0	62	58	54	49	45				
24	25	52 495	25.0	63	58	54	49	45				
25	26	52 579	25.0	63	58	54	49	45				
26	27	52 657	24.9	63	58	54	49	45				
27	28	52 729	24.9	63	58	54	49	45				
23	23	54 682	24.0	65	61	56	51	47				
28	27	56 708	23.1	68	63	58	53	48				
27	26	56 786	23.1	68	63	58	53	48				
26	25	56 870	23.1	68	63	58	53	48				
25	24	56 961	23.0	68	63	58	53	49				
24	23	57 060	23.0	68	63	58	53	49				
28	26	58 889	22.3	70	65	60	55	50	45			
27	25	59 057	22.2	70	65	60	55	50	45			
26	24	59 239	22.2	71	66	61	55	50	45			
25	23	59 437	22.1	71	66	61	56	51	46			
19	17	61 116	21.5	73	68	62	57	52	47			
28	25	61 244	21.4	73	68	63	57	52	47			
27	24	61 518	21.3	73	68	63	58	52	47			
26	23	61 815	21.2	74	68	63	58	53	47			
28	24	63 796	20.6		71	65	60	54	49			
27	23	64 192	20.4		71	66	60	55	49			
23	19	66 194	19.8		73	68	62	56	51	45		
28	23	66 570	19.7		74	68	62	57	51	45		
24	19	69 072	19.0			71	65	59	53	47		
25	19	71 950	18.2			74	67	61	55	49		
23	17	73 982	17.7				69	63	57	50		
26	19	74 828	17.5				70	64	57	51	45	
24	17	77 199	17.0				72	66	59	53	46	
27	19	77 707	16.9				73	66	60	53	46	
25	17	80 415	16.3				75	68	62	55	48	
28	19	80 585	16.3				75	69	62	55	48	
26	17	83 632	15.7	Not Recommended					71	64	57	50
27	17	86 848	15.1						74	67	59	52
28	17	90 065	14.6							69	61	54

32370G

YP 1225 - 1625

**76.2cm Rows
12 Finger Meter**

High Range

ATTENTION !!! (For all seed corn types)

Great Plains always recommends test stand calibration of the finger meter to the population and ground speed desired .

For Round Corn optimum meter speed is 45 to 75 RPM
(Shaded & Non-shaded areas)

For Flat Corn optimum meter speed is 60 to 75 RPM
(Shaded area)

Range Sprockets		Driving = 30 Driven = 20		Ground Speed								
Transmission Combinations		Seed Population (seeds/ha)	Seed Spacing (cm)	11.3 kph Meter (rpm)	10.5 kph Meter (rpm)	9.7 kph Meter (rpm)	8.9 kph Meter (rpm)	8 kph Meter (rpm)	7.2 kph Meter (rpm)	6.4 kph Meter (rpm)	5.6 kph Meter (rpm)	
Driving	Driven											
17	28	49 800	26.4	59	55	51	47					
17	27	51 644	25.4	62	57	53	48					
17	26	53 631	24.5	64	59	55	50	46				
19	28	55 659	23.6	66	62	57	52	47				
17	25	55 776	23.5	67	62	57	52	48				
19	27	57 720	22.7	69	64	59	54	49				
17	24	58 100	22.6	69	64	59	54	49	45			
19	26	59 940	21.9	71	66	61	56	51	46			
17	23	60 626	21.6	72	67	62	57	52	46			
19	25	62 338	21.1	74	69	64	58	53	48			
19	24	64 935	20.2		72	66	61	55	50			
23	28	67 376	19.5		75	69	63	57	52	46		
19	23	67 759	19.4		75	69	63	58	52	46		
23	27	69 872	18.8			71	65	60	54	48		
24	28	70 306	18.7			72	66	60	54	48		
23	26	72 559	18.1			74	68	62	56	49		
24	27	72 910	18.0			75	68	62	56	50		
25	28	73 235	17.9			75	69	62	56	50		
17	19	73 389	17.9			75	69	63	56	50		
23	25	75 462	17.4				71	64	58	51	45	
24	26	75 714	17.3				71	64	58	52	45	
25	27	75 948	17.3				71	65	58	52	45	
26	28	76 165	17.2				71	65	58	52	45	
23	24	78 606	16.7				74	67	60	54	47	
24	25	78 743	16.7				74	67	60	54	47	
25	26	78 869	16.6				74	67	60	54	47	
26	27	78 986	16.6				74	67	61	54	47	
27	28	79 094	16.6				74	67	61	54	47	
23	23	82 024	16.0					70	63	56	49	
28	27	85 061	15.4					72	65	58	51	
27	26	85 178	15.4					73	65	58	51	
26	25	85 304	15.4					73	65	58	51	
25	24	85 441	15.4					73	65	58	51	
24	23	85 590	15.3					73	66	58	51	
28	26	88 333	14.9					75	68	60	53	
27	25	88 585	14.8					75	68	60	53	
26	24	88 859	14.8						68	61	53	
25	23	89 156	14.7						68	61	53	
19	17	91 673	14.3						70	62	55	
28	25	91 866	14.3						70	63	55	
27	24	92 276	14.2						71	63	55	
26	23	92 722	14.2						71	63	55	
28	24	95 694	13.7						73	65	57	
27	23	96 289	13.6						74	66	57	
23	19	99 292	13.2							68	59	
28	23	99 855	13.1							68	60	
24	19	103 609	12.7							71	62	
25	19	107 926	12.2							74	64	
23	17	110 973	11.8								66	
26	19	112 243	11.7								67	
24	17	115 798	11.3								69	
27	19	116 560	11.3								69	
25	17	120 623	10.9								72	
28	19	120 877	10.9								72	
26	17	125 448	10.5								75	
27	17	130 273	10.1									
28	17	135 098	9.7									

32370H

YP 1225 - 1625

**Twin Row 91.4cm
6 Finger Meter**

ATTENTION !!! (For all seed corn types)

Great Plains always recommends test stand calibration of the finger meter to the population and ground speed desired .

For Round Corn optimum meter speed is 45 to 85 RPM
(Shaded & Non-shaded areas)

For Flat Corn optimum meter speed is 60 to 85 RPM
(Shaded area)

Range Sprockets		Driving = 30 Driven = 18		Ground Speed							
Transmission Combinations		Seed Population (seeds/ha)	Seed Spacing (cm)	11.3 kph Meter (rpm)	10.5 kph Meter (rpm)	9.7 kph Meter (rpm)	8.9 kph Meter (rpm)	8 kph Meter (rpm)	7.2 kph Meter (rpm)	6.4 kph Meter (rpm)	5.6 kph Meter (rpm)
17	28	46 111	47.4	66	61	57	52	47			
17	27	47 819	45.7	68	64	59	54	49			
17	26	49 658	44.0	71	66	61	56	51	46		
19	28	51 536	42.4	74	68	63	58	53	47		
17	25	51 644	42.4	74	69	63	58	53	48		
19	27	53 445	40.9	76	71	66	60	55	49		
17	24	53 796	40.7	77	71	66	60	55	49		
19	26	55 500	39.4	79	74	68	62	57	51	45	
17	23	56 135	39.0	80	75	69	63	57	52	46	
19	25	57 720	37.9	83	77	71	65	59	53	47	
19	24	60 125	36.4		80	74	68	61	55	49	
23	28	62 386	35.1		83	77	70	64	57	51	45
19	23	62 739	34.9		83	77	71	64	58	51	45
23	27	64 696	33.8			79	73	66	60	53	46
24	28	65 098	33.6			80	73	67	60	53	47
23	26	67 185	32.6			82	76	69	62	55	48
24	27	67 509	32.4			83	76	69	62	55	48
25	28	67 810	32.3			83	76	69	62	55	49
17	19	67 953	32.2			83	76	69	63	56	49
23	25	69 872	31.3				79	71	64	57	50
24	26	70 106	31.2				79	72	64	57	50
25	27	70 322	31.1				79	72	65	57	50
26	28	70 523	31.0				79	72	65	58	50
23	24	72 783	30.1				82	74	67	60	52
24	25	72 910	30.0				82	75	67	60	52
25	26	73 027	30.0				82	75	67	60	52
26	27	73 135	29.9				82	75	67	60	52
27	28	73 235	29.9				82	75	67	60	52
23	23	75 948	28.8				85	78	70	62	54
28	27	78 761	27.8					80	72	64	56
27	26	78 869	27.7					81	73	64	56
26	25	78 986	27.7					81	73	65	57
25	24	79 112	27.6					81	73	65	57
24	23	79 250	27.6					81	73	65	57
28	26	81 790	26.7					84	75	67	59
27	25	82 024	26.7					84	75	67	59
26	24	82 277	26.6					84	76	67	59
25	23	82 552	26.5					84	76	67	59
19	17	84 883	25.8						78	69	61
28	25	85 061	25.7						78	70	61
27	24	85 441	25.6						79	70	61
26	23	85 854	25.5						79	70	61
28	24	88 606	24.7						81	72	63
27	23	89 156	24.5						82	73	64
23	19	91 937	23.8						85	75	66
28	23	92 458	23.7						85	76	66
24	19	95 934	22.8							78	69
25	19	99 931	21.9								82
23	17	102 753	21.3								84
26	19	103 928	21.0								85
24	17	107 220	20.4								77
27	19	107 926	20.3								77
25	17	111 688	19.6								80
28	19	111 923	19.5								80
26	17	116 155	18.8								83
27	17	120 623	18.1								
28	17	125 090	17.5								

32370J

YP 1225 - 1625

**Twin Row 91.4cm
12 Finger Meter**

ATTENTION !!! (For all seed corn types)

Great Plains always recommends test stand calibration of the finger meter to the population and ground speed desired .

For Round Corn optimum meter speed is 45 to 75 RPM
(Shaded & Non-shaded areas)

For Flat Corn optimum meter speed is 60 to 75 RPM
(Shaded area)

Range Sprockets		Driving = 20 Driven = 18		Ground Speed							
Transmission Combinations		Seed Population (seeds/ha)	Seed Spacing (cm)	11.3 kph Meter (rpm)	10.5 kph Meter (rpm)	9.7 kph Meter (rpm)	8.9 kph Meter (rpm)	8 kph Meter (rpm)	7.2 kph Meter (rpm)	6.4 kph Meter (rpm)	5.6 kph Meter (rpm)
Driving	Driven										
17	28	61 481	35.6								
17	27	63 759	34.3	46							
17	26	66 211	33.0	47							
19	28	68 715	31.8	49	46						
17	25	68 859	31.8	49	46						
19	27	71 260	30.7	51	47						
17	24	71 728	30.5	51	48						
19	26	74 000	29.6	53	49	45					
17	23	74 847	29.2	54	50	46					
19	25	76 960	28.4	55	51	47					
19	24	80 167	27.3	57	53	49	45				
23	28	83 181	26.3	60	55	51	47				
19	23	83 653	26.1	60	56	51	47				
23	27	86 262	25.4	62	57	53	48				
24	28	86 797	25.2	62	58	53	49				
23	26	89 579	24.4	64	60	55	50	46			
24	27	90 012	24.3	64	60	55	51	46			
25	28	90 414	24.2	65	60	55	51	46			
17	19	90 604	24.1	65	60	56	51	46			
23	25	93 163	23.5	67	62	57	52	48			
24	26	93 474	23.4	67	62	57	53	48			
25	27	93 763	23.3	67	62	57	53	48			
26	28	94 031	23.3	67	62	58	53	48			
23	24	97 044	22.5	69	64	60	55	50	45		
24	25	97 213	22.5	70	65	60	55	50	45		
25	26	97 369	22.5	70	65	60	55	50	45		
26	27	97 513	22.4	70	65	60	55	50	45		
27	28	97 647	22.4	70	65	60	55	50	45		
23	23	101 264	21.6	72	67	62	57	52	47		
28	27	105 014	20.8	75	70	64	59	54	48		
27	26	105 158	20.8	75	70	64	59	54	48		
26	25	105 314	20.8	75	70	65	59	54	48		
25	24	105 483	20.7	75	70	65	59	54	49		
24	23	105 666	20.7		70	65	59	54	49		
28	26	109 053	20.1		72	67	61	56	50	45	
27	25	109 365	20.0		73	67	61	56	50	45	
26	24	109 702	19.9		73	67	62	56	50	45	
25	23	110 069	19.9		73	67	62	56	51	45	
19	17	113 177	19.3		75	69	64	58	52	46	
28	25	113 415	19.3		75	70	64	58	52	46	
27	24	113 922	19.2			70	64	58	52	47	
26	23	114 472	19.1			70	64	58	53	47	
28	24	118 141	18.5			72	66	60	54	48	
27	23	118 875	18.4			73	67	61	55	49	
23	19	122 582	17.8			75	69	63	56	50	
28	23	123 277	17.7				69	63	57	50	
24	19	127 912	17.1				72	65	59	52	46
25	19	133 242	16.4				75	68	61	54	48
23	17	137 004	16.0					70	63	56	49
26	19	138 571	15.8					71	64	57	50
24	17	142 960	15.3					73	66	58	51
27	19	143 901	15.2					74	66	59	51
25	17	148 917	14.7						68	61	53
28	19	149 231	14.7						69	61	53
26	17	154 874	14.1						71	63	55
27	17	160 830	13.6						74	66	58
28	17	166 787	13.1							68	60

32370K

YP 1225 - 1625

**91.4cm Rows
6 Finger Meter**

ATTENTION !!! (For all seed corn types)

Great Plains always recommends test stand calibration of the finger meter to the population and ground speed desired .

For Round Corn optimum meter speed is 45 to 75 RPM
(Shaded & Non-shaded areas)

For Flat Corn optimum meter speed is 60 to 75 RPM
(Shaded area)

Range Sprockets		Driving = 30 Driven = 18		Ground Speed							
Transmission Combinations		Seed Population (seeds/ha)	Seed Spacing (cm)	11.3 kph Meter (rpm)	10.5 kph Meter (rpm)	9.7 kph Meter (rpm)	8.9 kph Meter (rpm)	8 kph Meter (rpm)	7.2 kph Meter (rpm)	6.4 kph Meter (rpm)	5.6 kph Meter (rpm)
Driving	Driven										
17	28	23 056	47.4	66	61	57	52	47			
17	27	23 909	45.7	68	64	59	54	49			
17	26	24 829	44.0	71	66	61	56	51	46		
19	28	25 768	42.4	74	68	63	58	53	47		
17	25	25 822	42.4	74	69	63	58	53	48		
19	27	26 722	40.9		71	66	60	55	49		
17	24	26 898	40.7		71	66	60	55	49		
19	26	27 750	39.4		74	68	62	57	51	45	
17	23	28 068	39.0		75	69	63	57	52	46	
19	25	28 860	37.9			71	65	59	53	47	
19	24	30 063	36.4			74	68	61	55	49	
23	28	31 193	35.1				70	64	57	51	45
19	23	31 370	34.9				71	64	58	51	45
23	27	32 348	33.8				73	66	60	53	46
24	28	32 549	33.6				73	67	60	53	47
23	26	33 592	32.6					69	62	55	48
24	27	33 755	32.4					69	62	55	48
25	28	33 905	32.3					69	62	55	49
17	19	33 977	32.2					69	63	56	49
23	25	34 936	31.3					71	64	57	50
24	26	35 053	31.2					72	64	57	50
25	27	35 161	31.1					72	65	57	50
26	28	35 261	31.0					72	65	58	50
23	24	36 392	30.1					74	67	60	52
24	25	36 455	30.0					75	67	60	52
25	26	36 513	30.0					75	67	60	52
26	27	36 567	29.9					75	67	60	52
27	28	36 618	29.9					75	67	60	52
23	23	37 974	28.8						70	62	54
28	27	39 380	27.8						72	64	56
27	26	39 434	27.7						73	64	56
26	25	39 493	27.7						73	65	57
25	24	39 556	27.6						73	65	57
24	23	39 625	27.6						73	65	57
28	26	40 895	26.7						75	67	59
27	25	41 012	26.7						75	67	59
26	24	41 138	26.6							67	59
25	23	41 276	26.5							67	59
19	17	42 441	25.8							69	61
28	25	42 531	25.7							70	61
27	24	42 721	25.6							70	61
26	23	42 927	25.5							70	61
28	24	44 303	24.7							72	63
27	23	44 578	24.5							73	64
23	19	45 968	23.8							75	66
28	23	46 229	23.7								66
24	19	47 967	22.8								69
25	19	49 966	21.9								71
23	17	51 376	21.3								74
26	19	51 964	21.0								74
24	17	53 610	20.4								
27	19	53 963	20.3								
25	17	55 844	19.6								
28	19	55 961	19.5								
26	17	58 078	18.8								
27	17	60 311	18.1								
28	17	62 545	17.5								

32370L

YP 1225 - 1625

**91.4cm Rows
12 Finger Meter**

ATTENTION !!! (For all seed corn types)

Great Plains always recommends test stand calibration of the finger meter to the population and ground speed desired .

For Round Corn optimum meter speed is 45 to 75 RPM
(Shaded & Non-shaded areas)

For Flat Corn optimum meter speed is 60 to 75 RPM
(Shaded area)

Range Sprockets		Driving = 30 Driven = 18		Ground Speed							
Transmission Combinations		Seed Population	Seed Spacing	11.3 kph	10.5 kph	9.7 kph	8.9 kph	8 kph	7.2 kph	6.4 kph	5.6 kph
Driving	Driven	(seeds/ha)	(cm)	Meter (rpm)	Meter (rpm)	Meter (rpm)	Meter (rpm)	Meter (rpm)	Meter (rpm)	Meter (rpm)	Meter (rpm)
17	28	46 111	23.7	66	61	57	52	47			
17	27	47 819	22.9	68	64	59	54	49			
17	26	49 658	22.0	71	66	61	56	51	46		
19	28	51 536	21.2	74	68	63	58	53	47		
17	25	51 644	21.2	74	69	63	58	53	48		
19	27	53 445	20.5		71	66	60	55	49		
17	24	53 796	20.3		71	66	60	55	49		
19	26	55 500	19.7		74	68	62	57	51	45	
17	23	56 135	19.5		75	69	63	57	52	46	
19	25	57 720	18.9			71	65	59	53	47	
19	24	60 125	18.2			74	68	61	55	49	
23	28	62 386	17.5				70	64	57	51	45
19	23	62 739	17.4				71	64	58	51	45
23	27	64 696	16.9				73	66	60	53	46
24	28	65 098	16.8				73	67	60	53	47
23	26	67 185	16.3					69	62	55	48
24	27	67 509	16.2					69	62	55	48
25	28	67 810	16.1					69	62	55	49
17	19	67 953	16.1					69	63	56	49
23	25	69 872	15.7					71	64	57	50
24	26	70 106	15.6					72	64	57	50
25	27	70 322	15.6					72	65	57	50
26	28	70 523	15.5					72	65	58	50
23	24	72 783	15.0					74	67	60	52
24	25	72 910	15.0					75	67	60	52
25	26	73 027	15.0					75	67	60	52
26	27	73 135	15.0					75	67	60	52
27	28	73 235	14.9					75	67	60	52
23	23	75 948	14.4						70	62	54
28	27	78 761	13.9						72	64	56
27	26	78 869	13.9						73	64	56
26	25	78 986	13.8						73	65	57
25	24	79 112	13.8						73	65	57
24	23	79 250	13.8						73	65	57
28	26	81 790	13.4						75	67	59
27	25	82 024	13.3						75	67	59
26	24	82 277	13.3							67	59
25	23	82 552	13.2							67	59
19	17	84 883	12.9							69	61
28	25	85 061	12.9							70	61
27	24	85 441	12.8							70	61
26	23	85 854	12.7							70	61
28	24	88 606	12.3							72	63
27	23	89 156	12.3							73	64
23	19	91 937	11.9							75	66
28	23	92 458	11.8								66
24	19	95 934	11.4								69
25	19	99 931	10.9								71
23	17	102 753	10.6								74
26	19	103 928	10.5								74
24	17	107 220	10.2								
27	19	107 926	10.1								
25	17	111 688	9.8								
28	19	111 923	9.8								
26	17	116 155	9.4								
27	17	120 623	9.1								
28	17	125 090	8.7								

32370M



Great Plains, Mfg.
1525 E. North St.
P.O. Box 5060
Salina, KS 67402