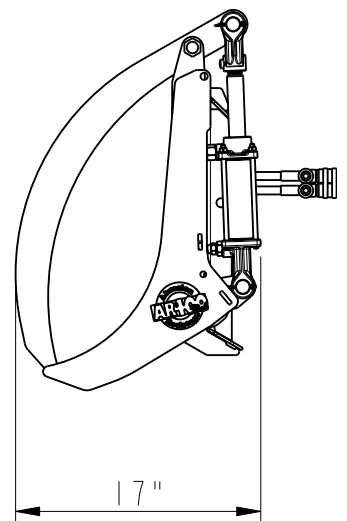
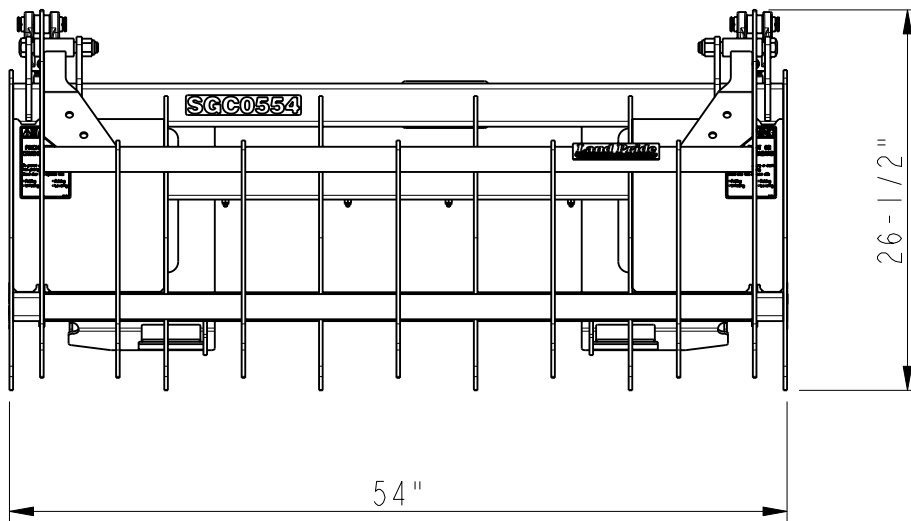


SGC0554 Model

Specifications & Capacities		
<b>Tractor requirements:</b>	<b>Horsepower</b>	17-26 hp
	<b>Weight</b>	1300-1600 lbs
<b>Grapple weight</b>		180 lbs.
<b>Hitch Type</b>		BX loader LA340S or LA344 with 2 lever quick coupler
<b>Overall width</b>		54"
<b>Closed height</b>		26 1/2"
<b>Jaw opening</b>		30"
<b>Number of teeth</b>		6 Lower teeth & 7 upper teeth
<b>Bottom teeth spacing</b>		5 spaces at 10 3/4" each
<b>Bottom &amp; top tooth thickness</b>		1/4" AR400
<b>Working length of teeth</b>		8 3/8"
<b>Hydraulic cylinder</b>		2" x 4" x 1 1/8" Rod
<b>Maximum hydraulic pressure rating</b>		2500 psi



20021