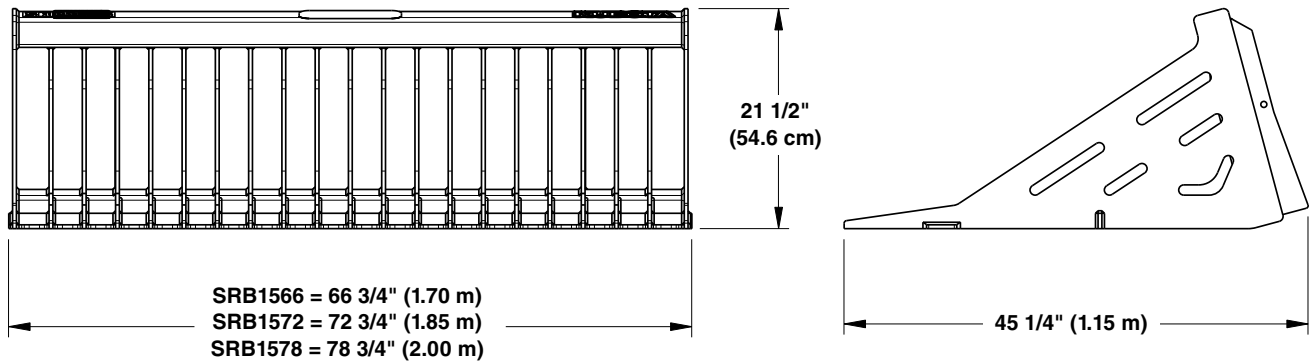


SRB15 Series

Specifications & Capacities				
		SRB1566	SRB1572	SRB1578
Weight	lbs (kg)	509 (230.9)	551 (249.9)	592 (268.5)
Width	in (m)	66 3/4 (1.85)	72 3/4 (1.85)	78 3/4 (2.00)
Height	in (cm)	21 1/2 (54.6)		
Number of Teeth		21	23	25
Teeth Spacing	in (cm)	3 (7.6)		
Tooth Thickness	in (mm)	3/8 (10)		
Working Length of Teeth	in (m)	39 (.99)		
End Plates		Standard		



SRB15 Series Rock Buckets

37859