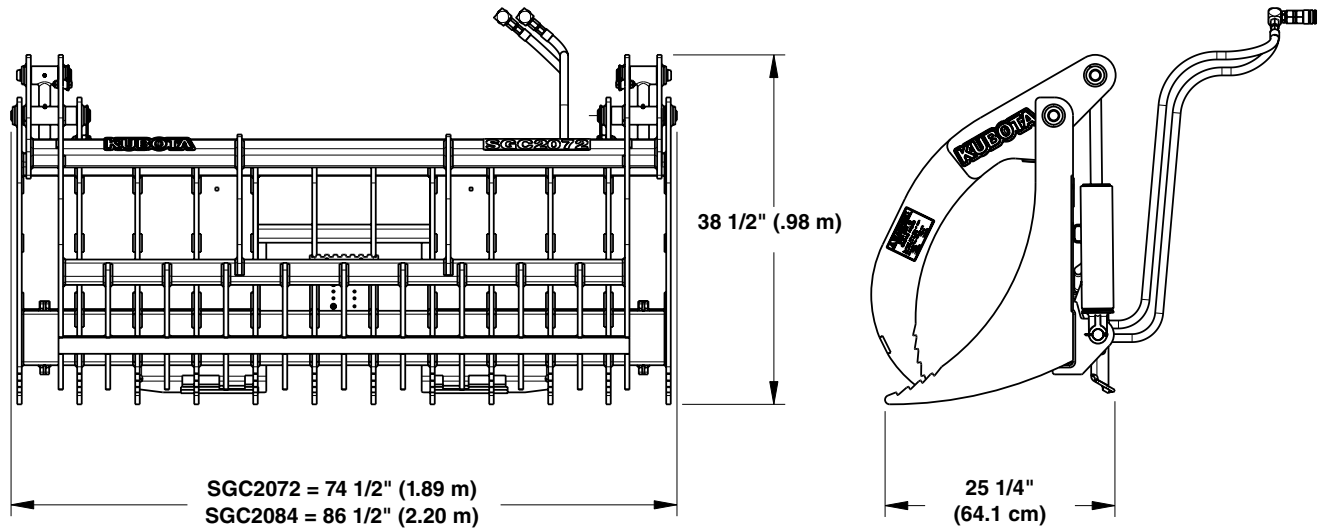


SGC20 Series

Specifications			
		SGC2072	SGC2084
Weight	lbs (kg)	895 (406)	999 (453.1)
Width	in (m)	74 1/2 (1.89)	86 1/2 (2.20)
Closed Height	in (m)	38 1/2 (.98)	38 1/2 (.98)
Number of Teeth		12 Bottom & 11 Top	14 Bottom & 13 Top
Teeth Spacing	in (cm)	6 (15.2)	
Tooth Thickness	in (mm)	1/2 (13)	
Working Length of Teeth	in (cm)	14 3/4 (37.5)	
Hydraulic Cylinder	in (cm)	3 x 10 x 1 1/4 (7.6 x 25.4 x 3.2) Rod	
Maximum Pressure Rating	psi (mPa)	3500 (24.1)	



37769