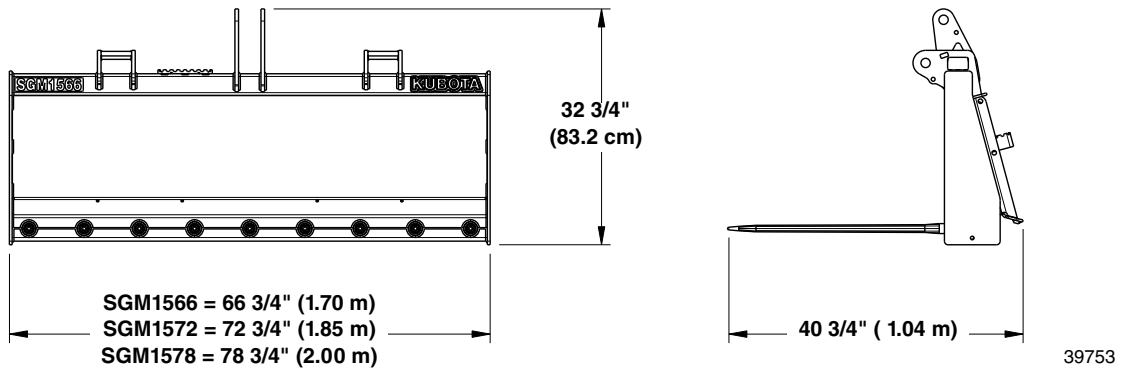
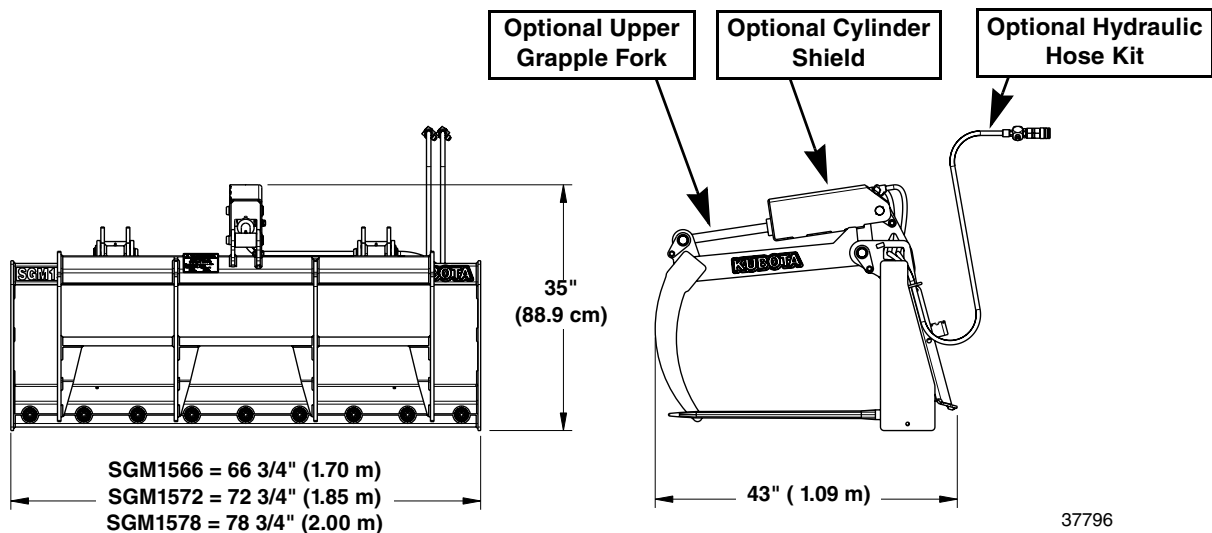


SGM15 Series

Specifications & Capacities				
		SGM1566	SGM1572	SGM1578
Lower grapple weight	lbs (kg)	410 (186)	427 (193.7)	455 (206.4)
Number of bottom spears		9	9	10
Spacing of bottom spears	in (cm)	7 5/8 (19.4)	8 5/16 (21.1)	8 1/8 (20.6)
Bottom spear diameter	in (cm)	1 3/8 (3.5)		
Working length of spears	in (cm)	30 3/8 (77.2)		
Optional Equipment				
Upper grapple fork weight with optional hydraulic cylinder shield	lbs (kg)	191 (86.6)	199 (90.3)	199 (90.3)
Number of grapple Teeth		4		
Hydraulic Cylinder	in (cm)	2 x 8 x 1 1/4 (5.1 x 20.3 x 3.2) Rod		
Maximum hydraulic pressure	psi (mPa)	3500 (24.1)		
Optional Hydraulic Hose Kit Part No. 380-062A	in (m) in (cm)	2 fabric protected hydraulic hoses 99 (2.51) & 109 (2.77) long, 2 elbows, 2 straight adapters, and 1 1/16 (2.7) male and female quick couplers.		



Lower Grapple Without Options



Lower Grapple With Optional Upper Grapple Fork, Cylinder Shield, & Hose Kit