

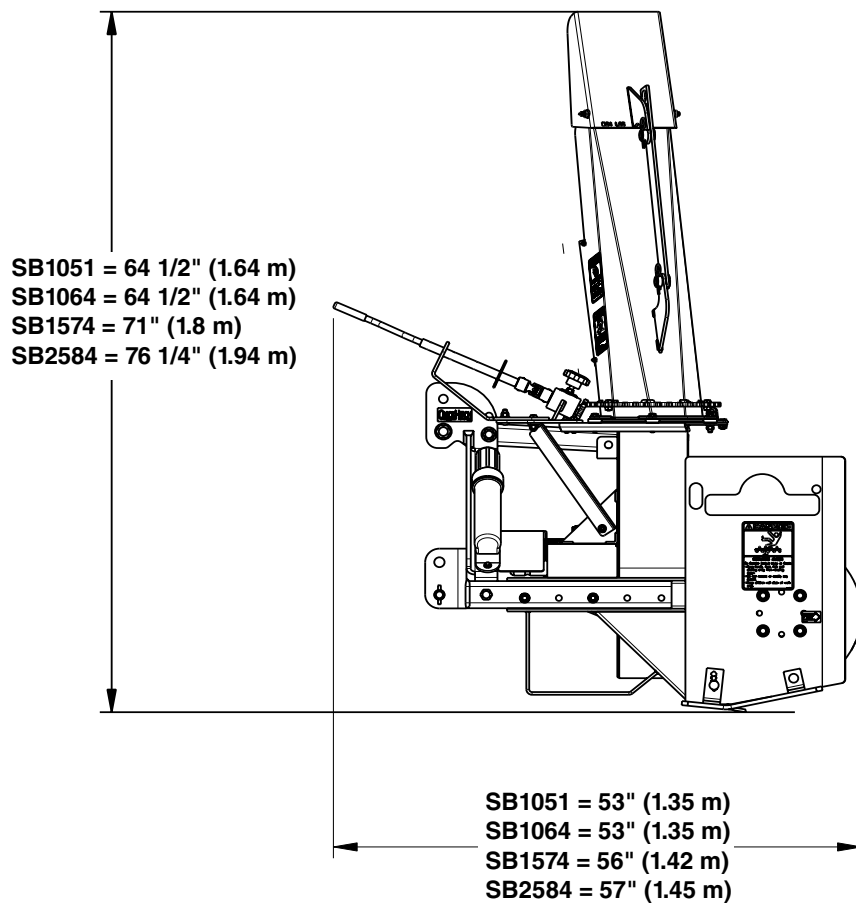
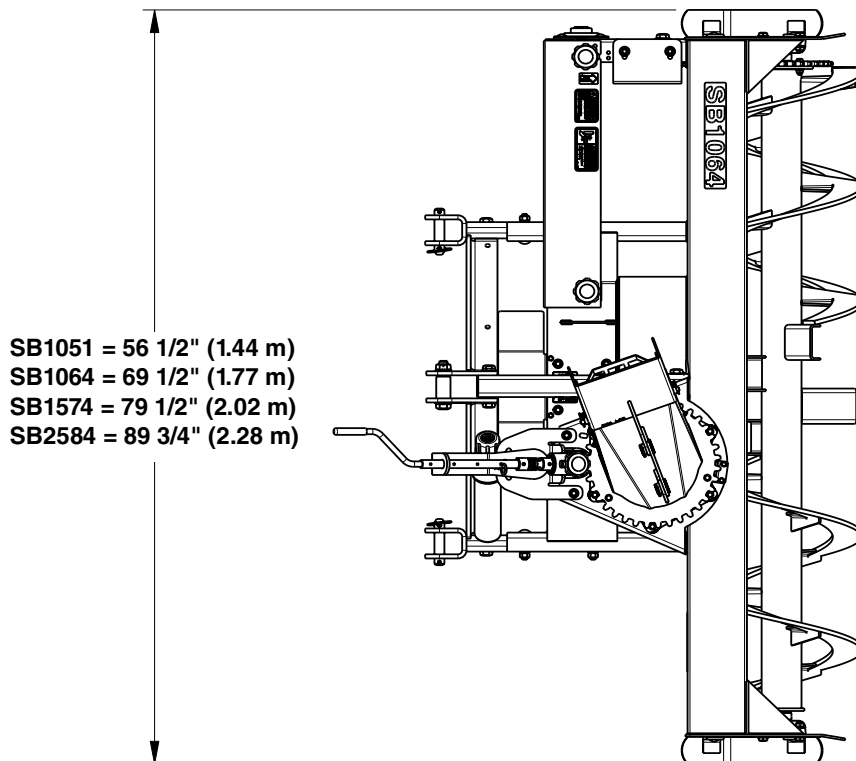
Table of Contents

Section 7: Specifications & Capacities



SB10, SB15, & SB25 Series

Specifications & Capacities					
Model No.	Units	SB1051	SB1064	SB1574	SB2584
Working width	in (m)	51 (1.30)	64 (1.63)	74 (1.88)	84 (2.13)
Overall width with inner skid shoes	in (m)	52 3/4 (1.34)	65 3/4 (1.67)	75 3/4 (1.92)	85 3/4 (2.18)
Weight without options	lbs (kg)	400 (181.4)	494 (224.1)	640 (290.3)	762 (345.6)
Tractor horsepower	hp (kW)	18-32 (13.4-23.9)	18-59 (13.4-44)	30-59 (22.4-44)	43-105 (32.1-78.3)
3-Point hitch		Adjustable Cat. I		Adjustable Cat. I	Adjustable Cat. I & II
Quick hitch compatible		yes		yes	
Main housing material	gauge (mm)	12 (2.7)		12 (2.7)	
Side plate material	in (mm)	3/16 (5)		3/16 (5)	
Chute opening at the base	in (cm)	8 (20.3)		10 (25.4)	12 (30.5)
Impeller diameter	in (cm)	20 (50.8)		24 (61)	
Impeller housing depth	in (cm)	6 (15.2)		8 (20.3)	10 (25.4)
Number of impeller blades		4		4	
Auger diameter	in (cm)	14(35.6)		16 (40.6)	
Number of auger paddles		2	4	4	
Gearbox oil capacity & type	pints (L)	1.06 (.50) of SAE90W Gearlube		2.54 (1.2) of SAE 90W Gearlube	
Drive chain		#60 RC		#60 RC	
Driveline category		Cat. II, Shearbolt protected		Cat. III, Shearbolt protected	
Driveline shearbolt		M8 x 50 C1.6.6		M8 x 50 C1.6.6	M10 x 60 C1.6.6
Drive shaft shearbolt		1/4" -20 Grade 5 bolt		1/4" -20 Grade 5 bolt	
Optional Equipment					
Lower wear bar	Construction	Bolt-on, reversible, and replaceable full length lower wear bar Two options available: Hardened steel wear bar option or steel wear bar option			
	Weight	lbs (kg)	lbs (kg)	lbs (kg)	lbs (kg)
		11 (5.0)	14 (6.4)	16 (7.3)	18 (8.2)
Outer skid shoe & weight	lbs (kg)	Bolt-on, adjustable & replaceable [8 (3.6)]			
Outer wear bar & weight		Bolt-on, adjustable & replaceable [4 (1.8)]			
Inner skid shoe & weight		In-board mounted on the rear, adjustable and replaceable [19 (8.6)]			
Chute rotation & weight	Manual Electric Hydraulic	lbs (kg)	Gear & worm drive [10 (4.5)]		
			Gear drive [20 (9.1)]		
			Gear drive [12 (5.4)]		
Deflector type & weight	Manual Electric Hydraulic	lbs (kg)	Lock bar [2 (0.9)]		
			Electric actuator [25 (11.3)]		
			Hydraulic cylinder [32 (14.5)]		



37107