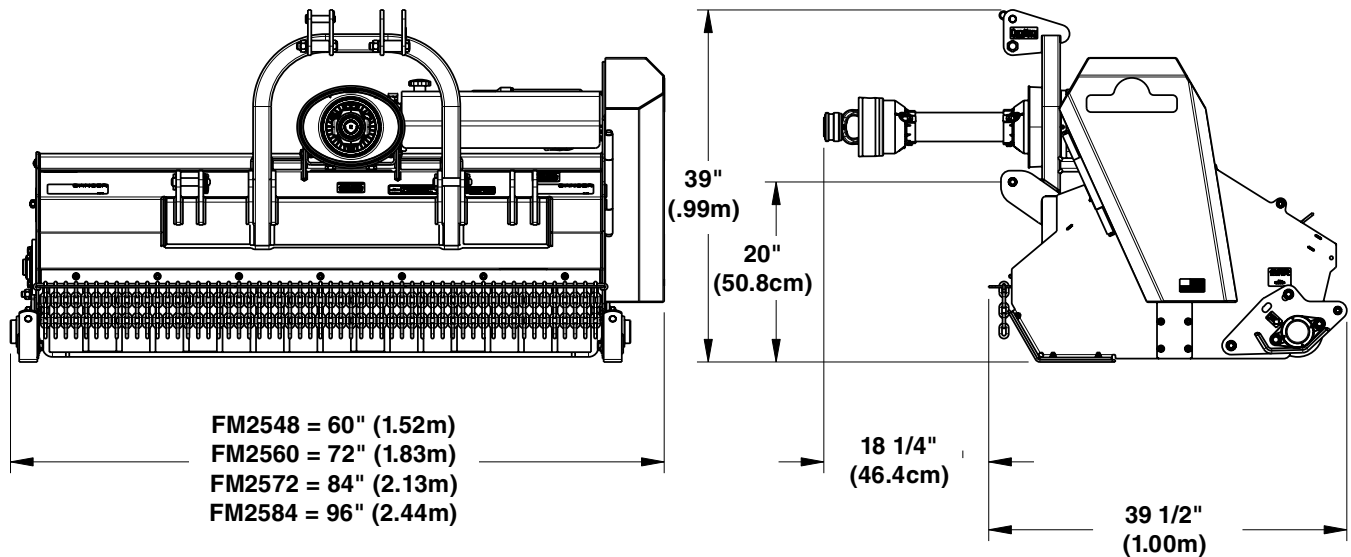


### FM25 Series Flail Mowers

Specifications & Capacities					
	Units	FM2548	FM2560	FM2572	FM2584
Weight of Standard unit with optional ducksfoot rotor	lbs (kg)	780 (353.8)	965 (437.7)	1040 (471.7)	1236 (560.6)
Weight of optional rotors: Rotor with ducksfoot blades Rotor with heavy-duty Y blades Rotor with hammer blades	lbs (kg)	<b>Blades / weight</b> 20 ea / 161(73) 24 ea / 177(80.3) 12 ea / 182(82.6)	<b>Blades / weight</b> 24 ea / 191(86.6) 32 ea / 215(97.5) 16 ea / 222(100.7)	<b>Blades / weight</b> 28 ea / 221(100.2) 40 ea / 535(242.7) 20 ea / 261(118.4)	<b>Blades / weight</b> 32 ea / 250(113.4) 48 ea / 292(132.4) 24 ea / 301(136.5)
Optional brush rake assembly	lbs (kg)	34 (15.4)	45 (20.4)	53 (24)	62 (28.1)
Working width	inch (m)	48 (1.22)	60 (1.52)	72 (1.83)	84 (2.13)
Overall width	inch (m)	60 (1.52)	72 (1.83)	84 (2.13)	96 (2.44)
Drive cover height	inch (cm)	33 (83.8)			
Rotor rpm		2450			
Hitch		Cat. I		Cat. I & II	
Gearbox rating	hp (kW)	80 (59.7)			
Driveline		Cat. 4			
Offset hitch	inch (cm)	Center or 8 (20.3) Right		Center or 10 (25.4) Right	
Blade tip speed	fpm (mps)	12,046 (61.2)			
Blade attachment		D-ring for ducksfoot blades, C-clamp for heavy-duty Y and hammer blades			
Rotor bearings		Spherical roller bearing			
Brush rakes (standard)		8	8	9	11
Rotor diameter	inch (cm)	5 (12.7) With reinforcing bars			
Rotor rotation		Reverse			
Cutting height	inch (cm)	0" - 6" (0- 15.2)			
Cutting capacity	inch (cm)	Ducksfoot: 1 (2.54) Heavy-duty Y blades: 1.5 (3.81) Hammer blades: 2 (5)			
Rear roller diameter	inch (cm)	5.56 (14.1)			
Hood/deck thickness	Ga (mm)	10 Ga (3.4)			



70065