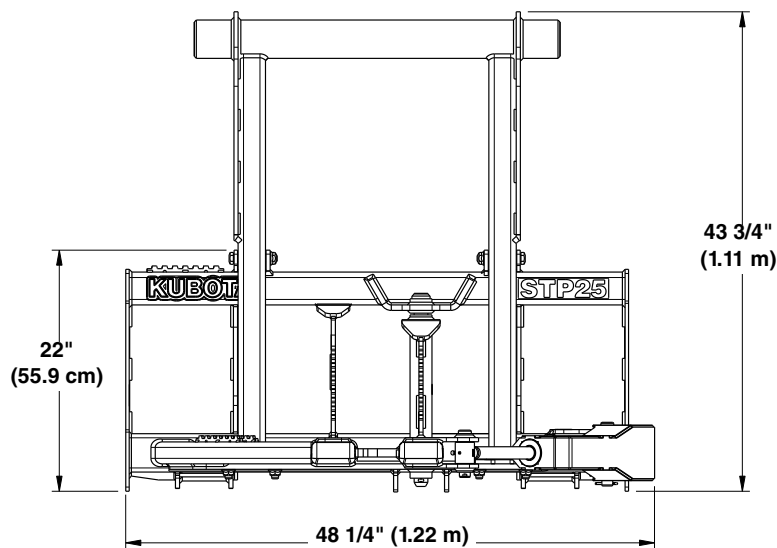
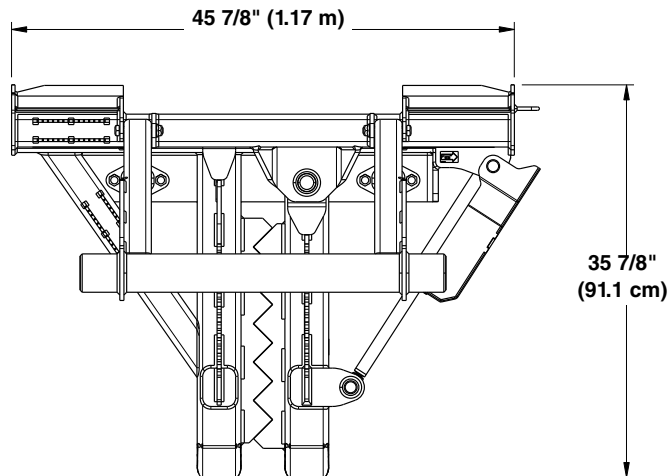


Clevis Pin, Cylinder Base End

STP25

Specifications & Capacities			
Weight	lbs (kg)	316 (143.3) without push bar	
Hitch		Universal quick attach hitch	
Frame construction	Lower Upper	in (cm)	3 1/2 (8.9) Square tube 3 (7.6) Square tube
Jaw opening		in (cm)	10 (25.4) maximum
Jaw construction	Teeth Tips	in (mm)	Laser cut from 3/4 (19) high-strength steel Angled for digging
Jaw pivot pin		in (cm)	Greasable pin constructed of solid 1 1/4 (3.2) diameter steel
Hydraulic cylinder		in (cm)	2 x 8 x 1 1/8 (5.1 x 20.3 x 2.9) welded hydraulic cylinder
Hydraulic cylinder pivot pins			Greasable
Cylinder guard		in (mm)	3/16 (5) welded steel plate
Quick disconnect couplers			Small flat face male & female couplers
Maximum pressure rating	psi (mPa)	3500 (24.1)	



39825