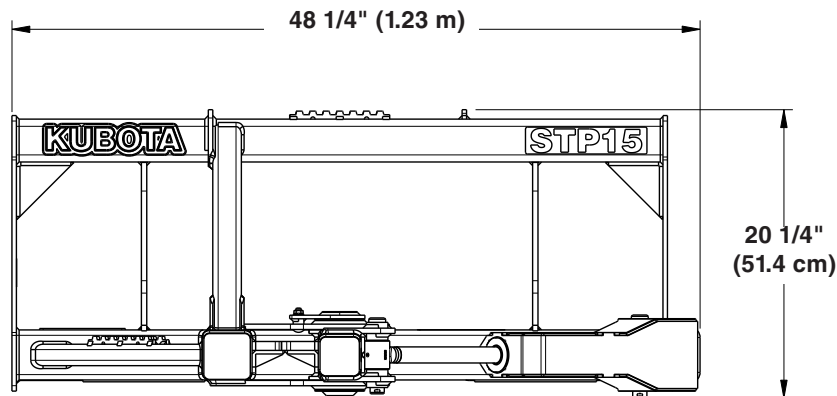
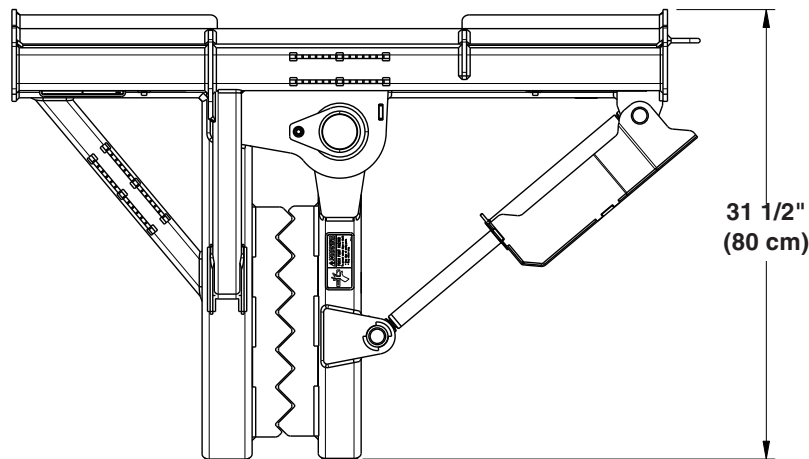


STP15

Specifications & Capacities			
Weight	lbs (kg)	228 (103.4)	
Hitch		Universal quick attach hitch	
Frame construction	Lower Upper	in (cm)	3/16 x 3 1/2 (.5 x 8.9) Square tube 3/16 x 3 (.5 x 7.6) Square tube
Jaw opening		in (cm)	10 (25.4) Maximum
Jaw construction	Teeth Tips	in (cm)	Laser cut from 5/8 (1.6) steel x 16 (40.6) long Angled for digging
Jaw pivot pin		in (cm)	Greasable pin constructed of solid 2 1/2 (6.4) diameter steel
Hydraulic cylinder		in (cm)	2 x 8 x 1 1/8 (5.1 x 20.3 x 2.9) Welded hydraulic cylinder
Hydraulic cylinder pivot pins			Greasable
Cylinder guard		in (mm)	3/16 (5) Welded steel plate
Quick disconnect couplers			Small flat face male & female couplers
Maximum pressure rating	psi (mPa)	3500 (24.1)	



37772