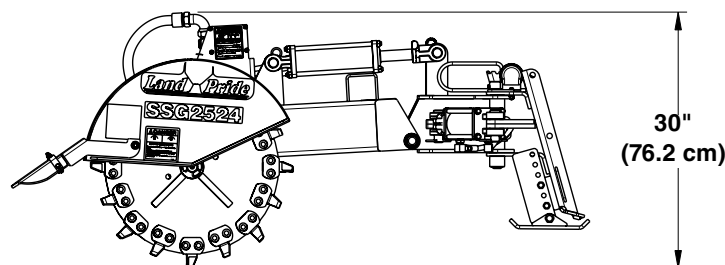
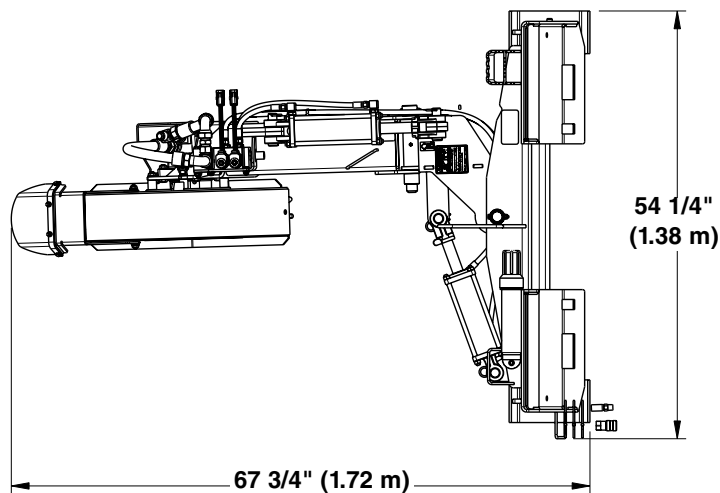


SSG2524 Model

Specifications & Capacities		
Mounting Plate		Quick Attach
Main Frame	in (mm)	6 x 6 x 1/4 (152 x 152 x 6) Tube
Overall Mounting Width	in (m)	48 (1.22)
Overall Length	in (m)	60 (1.52)
Overall Weight	lbs (kg)	540 (244.9)
Drive And Control System		Hydraulic motor with electric over hydraulic
Hydraulic Requirements	gpm (Lpm)	17 to 32 (64.4 to 121.1)
Cutting Wheel Speed		470 to 875 rpm
Articulate Cylinder	in (cm)	3 (7.6) x 6 (15.2) stroke with 1 1/4 (3.2) rod dia.
Tilt Cylinder	in (cm)	3 (7.6) x 6 (15.2) stroke with 1 1/4 (3.2) rod dia.
Hydraulic Lines & Hoses	in (mm)	3/4 (19) I.D. Hydraulic hoses with crimp on cordura sleeve 1/4 (6) I.D. Case drain hydraulic hose
Number of Cutting Teeth	Straight Left-Hand Right-Hand	8 - Replaceable carbide teeth 12 - Replaceable carbide teeth 12 - Replaceable carbide teeth
Cutting Arc		55 Degrees
Maximum Cutting Depth Below Ground	in (cm)	8 (20.3)
Greasable Hinge Points		Yes
Color		Black
Outside Cutting Wheel Diameter	in (cm)	23 3/4 (60.3)
Cutting Wheel Thickness	in (mm)	1/2 (13)
Maximum Pressure Rating	psi (mPa)	3500 (24.1)



35338