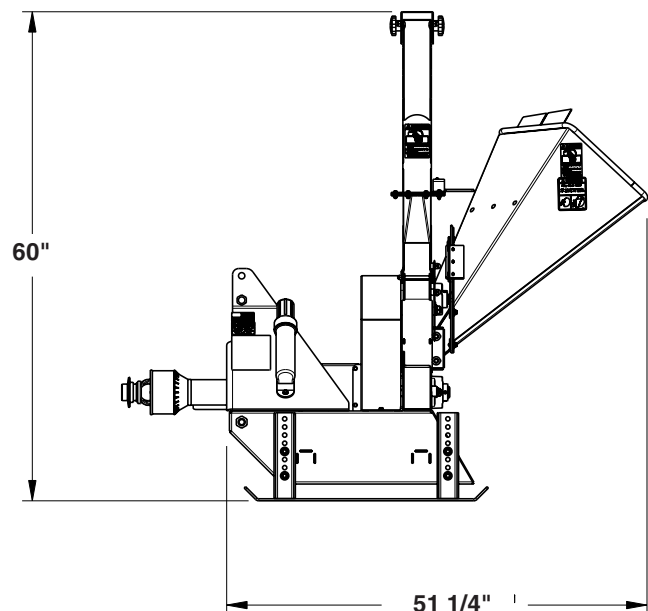
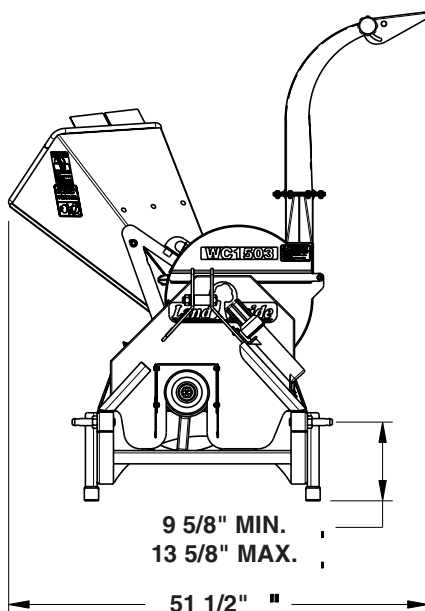


WC1503 Model

Specifications & Capacities	
Horsepower Required	12 to 30 hp (Minimum 25 hp for maximum capacity)
Weight	369 lbs.
Hitch	Cat. 1 w/ Quick Hitch capabilities
Upper Hitch Plate Thickness	1/4"
Main Frame Thickness	3/16"
Rotor Housing Thickness	3/16"
Power Take-Off Speed	540 rpm
Driveline Category	Cat. 2 with shear bolt
Main Drive Pulley Diameter	16.35"
Rotor Pulley Diameter	4.5"
Belts	2 single B section
Belt Tensioner	Spring loaded with adjustment
Rotor Size	17.5"
Rotor Speed	1984 rpm
Chip Capacity	3"
Hopper Inlet Opening	14"x 15"
Chipper Inlet Opening	6" x 3"
Spout Discharge Opening	3 1/4" Square
Cutting Knife	Reversible and Replaceable
Number of Knives	2
Knife Size	2.5" x 2" x 1/4"
Knife Material	Hardened Steel (Specifically designed for chipping)
Feed System	Self-feed
Chip Chute Position	270 degrees
Feed Height Above Ground	35" (Without adjustable skids)
Feed Height Adjustment	6 Settings (Includes without adjustable skids)
Color	Orange, Green & Beige



35198