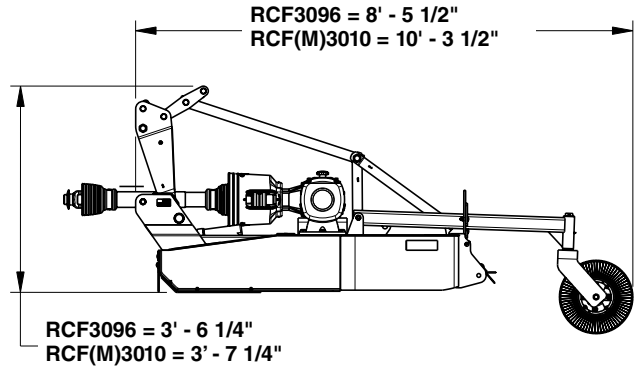
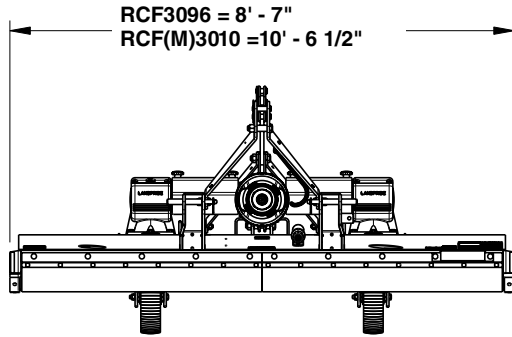


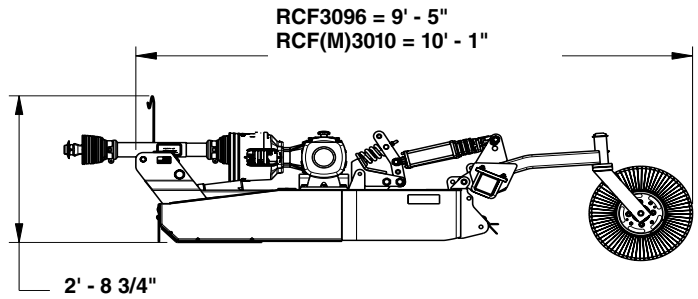
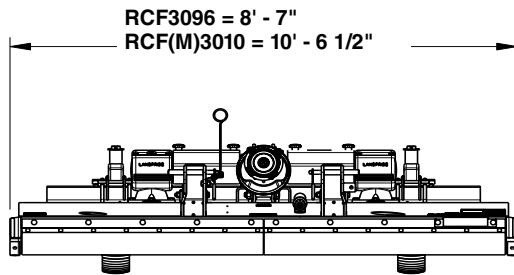
RCF3096 & RCF(M)3010 Models

Specifications & Capacities		
Model Numbers	RCF3096 (540 rpm)	RCF3010 (540 rpm) RCFM3010 (1000 rpm)
Machine weight with front & rear rubber guards. Includes hydraulic cylinder & 21" wheels with semi-mount and pull type units	3-Point mount w/ 15" wheels = 1,587 lbs. Semi-mount = 1,800 lbs. Pull-type = 1,976 lbs.	3-Point mount = 2,004 lbs. Semi-mount = 2,042 lbs. Pull-type = 2,214 lbs.
Hitch	3-Point & semi-mount Category 1 & 2 Quick Hitch Adaptable Pull-type - with dual self level rods	3-Point & semi-mount Category 2 & 3 Quick Hitch Adaptable Pull-type - with dual self level rods
Pull type tongue weight	893 lbs	983 lbs
Park jack	Park jack attaches to the tongue of the pull type cutter	
Cutting width	8' - 0"	10' - 0"
Overall width	8' - 7"	10' - 6 1/2"
Overall length	3-point mounted semi-mounted pull-type	8' - 6" 9' - 5" 12' - 5"
Deck height	11 1/4"	11 1/2"
Cutting height	2" - 12"	
Cutting capacity	2 1/2"	
Tractor Hp rating	Lift-type - 50 - 110 Pull/semi - 40 - 110	Lift-type - 60 - 110 Pull/semi - 50 - 110
Gearbox horsepower rating	T-box - 160 hp, outboard 110 hp	
Gearbox	540 rpm gearbox Cast iron housing, beveled gears	540 rpm or 1000 rpm gearbox Cast iron housing, beveled gears
Gearbox input / output shaft size	Input shaft = 1 3/4" - 20 spline Output shaft = 2" dia.	
Gearbox lubrication	80-90w EP gear lube	
Gearbox oil capacity	end boxes T-box	Comer = 6 pints Comer = 4.5 pints
Deck material thickness	10 gauge	
Deck side skirt thickness	1/4"	
Skids	Replaceable	
Stump jumper	2 ea. - 3/16" Round pan	
Blades (4)	1/2" x 4" Heat treated Free-swinging suction blades	
Blade bolts	Keyed with harden flat washer and locknut	
Blade tip speed	540 rpm 16,360 fpm	540 rpm 17,100 fpm 1000 rpm 17,300 fpm
Driveline	3-point & semi-mount pull type	ASAE Cat 4 ASE Cat. 4 equal angle shaft or constant velocity u-joint
Driveline protection	540 rpm - 4 plate slip clutch Rubber flex coupler to wing boxes	540 rpm - 4 plate slip clutch 1000 rpm - 2 plate slip clutch Rubber flex coupler to wing boxes
Tailwheel options	3-point without rear axle: 2 tires 3-point with rear axle: 2 tires semi-mount: 2 tires pull-type w/single spindle: 2 tires pull-type w/dual spindles: 4 tires	
Wheel bearings	4" x 8" x 15 1/4" Caster laminated 4" x 8" x 15 1/4" Caster laminated or 6" x 9" x 21" caster laminated 4" x 8" x 15 1/4" Caster laminated or 6" x 9" x 21" caster laminated 6" x 9" x 21" Laminated or 24" x 7.7" recap foam filled aircraft or 29" x 16 ply aircraft 6" x 9" x 21" Laminated or 24" x 7.7" recap foam filled aircraft or 29" x 16 ply aircraft	
Shock absorption	Tapered roller bearing in cast iron hub	
Shock absorption	Spring shock absorber on axle of semi-mount & pull type	
Front guard	Optional: Rubber deflector, single chain guard, or double chain guard	
Rear guard	Optional: Rubber deflector, single chain guard, or double chain guard	



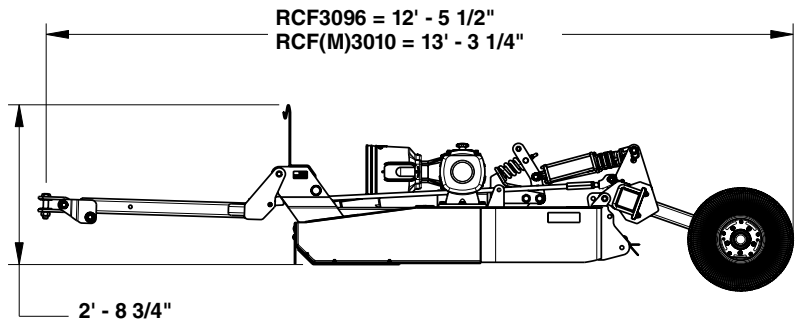
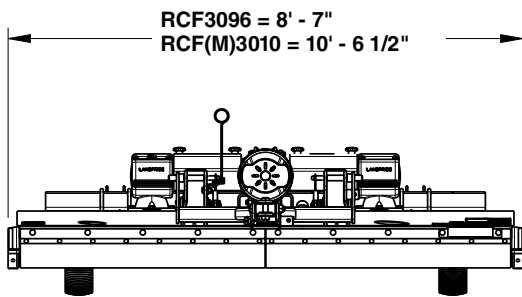
35061

3-Point Mounted Rotary Cutter (RC3096 Shown)



35062

Semi-Mounted Rotary Cutter (RC3096 Shown)



33969

Pull-Type Rotary Cutter (RC3096 Shown)