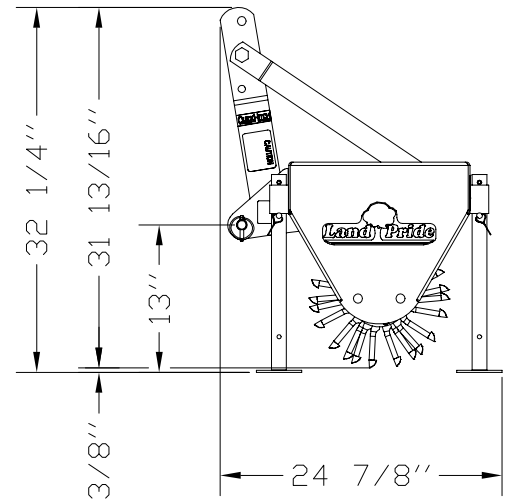
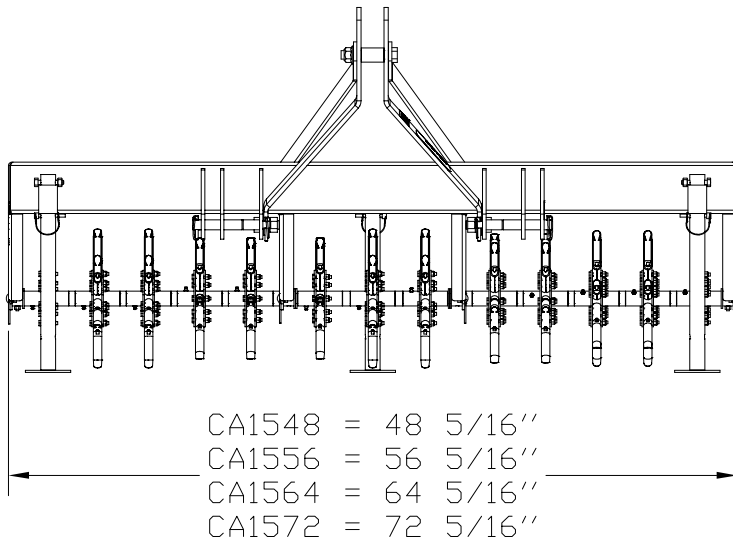


CA15 Series

Specifications & Capacities				
Model No.	CA1548	CA1556	CA1564	CA1572
Working Width	41"	50"	58"	66"
Overall Width	48 5/16"	56 5/16"	64 5/16"	72 5/16"
Overall Length	24 7/8"			
Overall Height (With support stands up)	31 13/16"			
Weight	156#	170#	184#	208#
Max. allowable added weight in Weight Tray	400 lbs.	400 lbs.	500 lbs.	500 lbs.
Number Of Spoons	54	66	78	90
Spoon Material	16Ga. hardened spring steel, Replaceable.			
Spoon Spacing in forward travel	6"			
Spoon Penetration	3" Depending on ground conditions and added weights.			
Plug Size	1/2" Diameter			
Gang spacing	4 1/2"			
Number of Gangs	9	11	13	15
Frame Construction	Channel Formed 10 GA sheet			
Hitch	Cat. 0, Cat. 1 & Cat. 1 limited			
Quick Hitch	Fits Land Pride's Quick Hitch Models QH05 and QH15			
Number of Support Stands	3			



27981