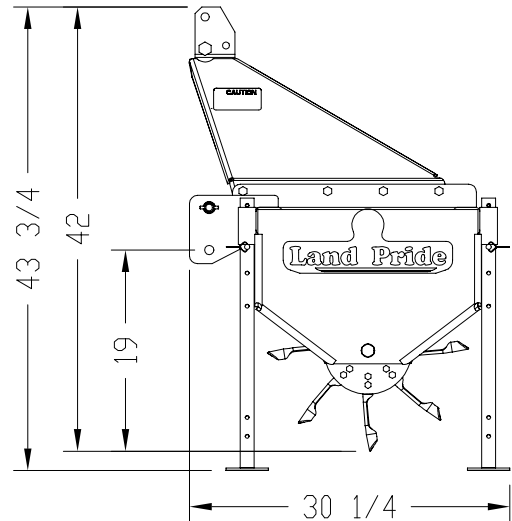
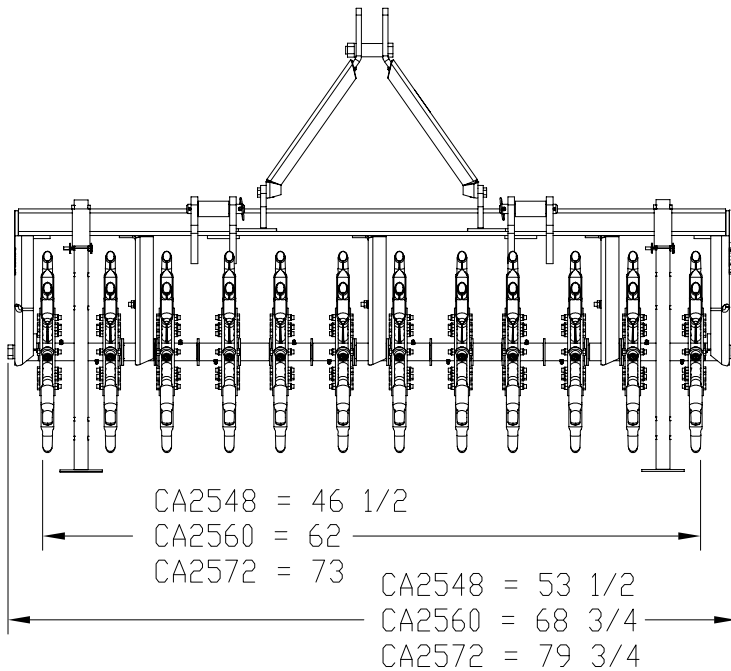


CA25 Series

| Specifications & Capacities | | |
|---|---|-----------------------|
| Model No. | CA2560 | CA2572 |
| Working Width | 60" | 72" |
| Overall Width | 68 3/4" | 79 3/4" |
| Overall Length | 30 1/4" | |
| Overall Height (With support stands up) | 42" | |
| Weight (w/o added weight) | 464# | 480# |
| Number Of Spoons | 96 | 96 |
| Spoon Material | 3/4" Closed case hardened Replaceable. | |
| Spoon Spacing in forward travel | 7" | |
| Spoon Penetration | 4 1/2" Depending on ground conditions and added weight. | |
| Plug size | 3/4" Diameter | |
| Gang Spacing | 5 1/2" | 6 1/2" |
| Number of Gangs | 12 | 12 |
| Frame Construction | Tubing 2 1/2" x 2 1/2" x 3/16" | |
| Hitch | Cat. 1 | |
| Quick Hitch | Fits Land Pride's Model QH15 Quick Hitch | |
| Support Stands | Support stands in all four corners | |
| Water Tank Capacity (gallons per tank) | 29 gallons per tank | 36 gallons per tank |
| Full Water Tank Weight (2-tanks) | 490 lbs. Total weight | 600 lbs. Total weight |



26738