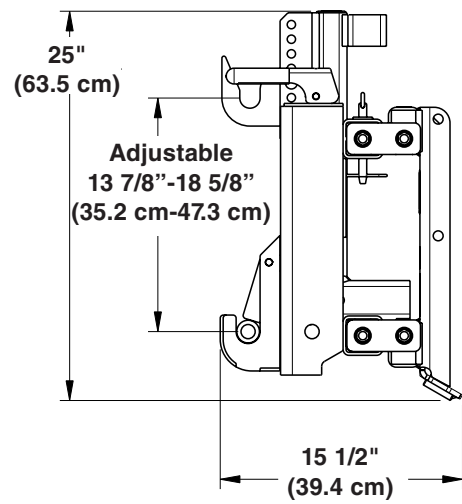
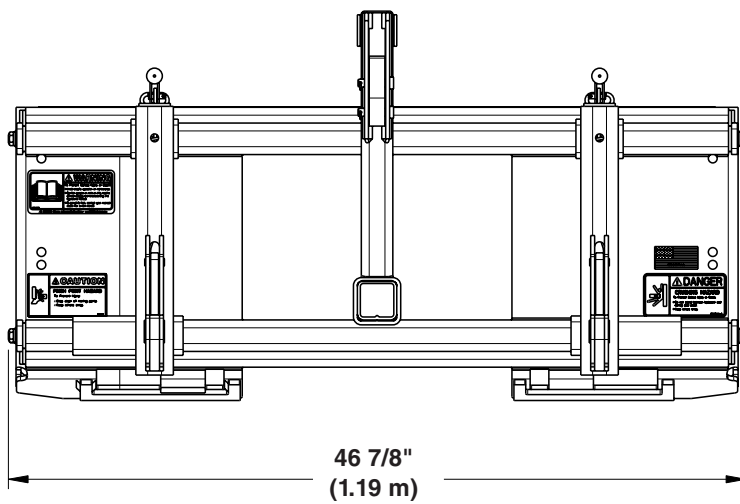


SH35 Series Skid Steer Quick Hitch

Specifications & Capacities		
Hitch		Standard Category 1 & II, 3-point with adjustable top hitch
Overall Width	in (m)	46 7/8 (1.19)
Height	in (cm)	25 (63.5)
Length	in (cm)	15 1/2 (39.4)
Weight	lbs (kg)	225 (102.1)
Lower 3-Point		Automatic Lock
Maximum Lift Capacity	lbs (kg)	2800 (1270.1) at 24" (61cm) from implements lower hitch pins.



26875