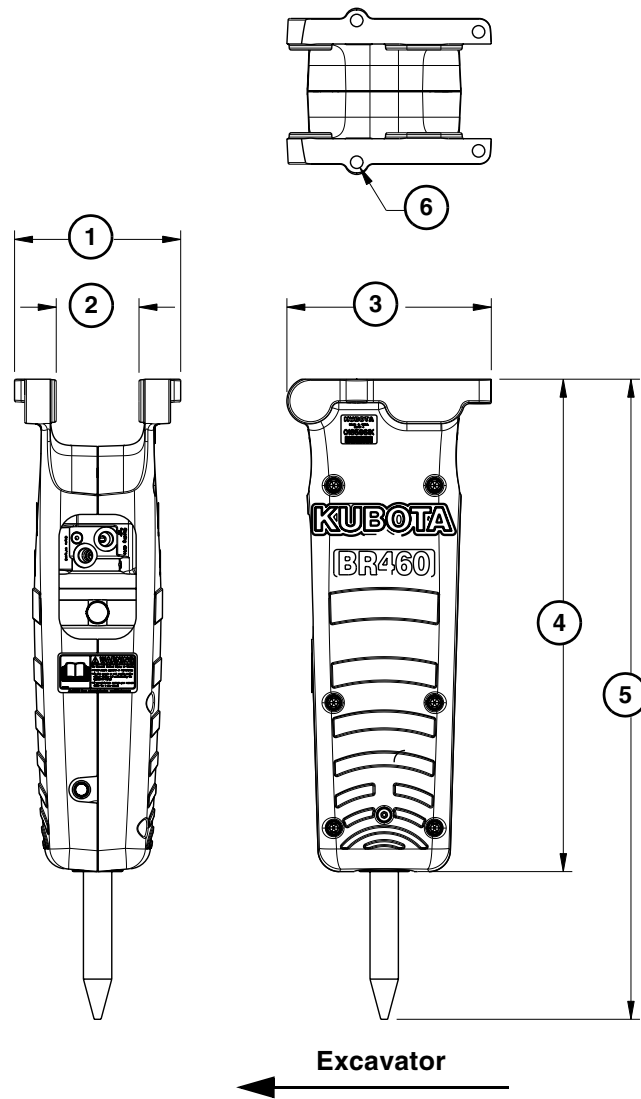


**BR310, BR360, & BR460 Specifications & Capacities**

Breaker Specifications & Capacities <sup>1</sup>				
Model Numbers	Unit	BR310	BR360	BR460
Frequency range <sup>2</sup>	bpm	1300-2500	1200-2600	1000-2000
Oil flow range	gpm (Lpm)	3.9-8.7 (15-33)	5.3-12.7 (20-48)	7.9-16.6 (30-63)
Operating pressure	psi (bar)	1450-1740 (100-120)	1740-2030 (120-140)	1740-2030 (120-140)
Pressure relief setting minimum <sup>3</sup>	psi (bar)	2170-2460 (150-170)	2460-2760 (170-190)	2460-2760 (170-190)
Pressure relief setting maximum	psi (bar)		3190 (220)	3190 (220)
Tool shank diameter	in (mm)	1.42 (36)	1.65 (42)	1.97 (50)
Net weight <sup>4</sup>	lbs (kg)	165 (75)	247 (112)	350 (160)
Carrier weight <sup>5</sup>	ton (m ton)	.88-2 (0.8-1.8)	1.4-3 (1.3-2.7)	2.2-4.4 (2.0-4.0)
Thread on valve housing		BSP 1/2" Female		BSP 3/4" Female

Tool Specifications <sup>1</sup>						
	Units	Chisel Tool	Moil Tool	Spade, Parallel	Spade, Transverse	Compact Plate
<b>BR310</b>						
Part number		BH401SK	BH403SK	BH405SK	BH406SK	Not Available
Length	in (mm)	14 1/4 (360)	14 1/4 (360)	15 (380)	15 (380)	
Weight	lbs (kg)	6.0 (2.7)	5.7 (2.6)	7.1 (3.2)	7.1 (3.2)	
<b>BR360</b>						
Part number		BH601SK	BH603SK	BH605SK	BH606SK	Not Available
Length	in (mm)	16 (405)	16 (405)	16 1/2 (420)	16 1/2 (420)	
Weight	lbs (kg)	9.0 (4.1)	8.6 (3.9)	9.0 (4.1)	9.1 (4.0)	
<b>BR460</b>						
Part number		BH801SK	BH803SK	BH805SK	BH806SK	BH807SK
Length	in (mm)	19 3/8 (490)	19 3/8 (490)	19 3/8 (490)	19 3/8 (490)	17 3/8 (440)
Weight	lbs (kg)	15.6 (7.1)	15.0 (6.8)	15.0 (6.8)	15.0 (6.8)	25.8 (11.7)

1. Specifications are subject to change without prior notice.
2. Depends on hydraulic parameters (oil flow, pressure and nozzle).
3. Operating pressure +50 bar.
4. Includes hammer and standard tool only.
5. Check Carrier's lifting capacity, especially with flange mount hammers and mounting bracket.



← Excavator

72343

Model Number	Dimensions [in (mm)] <sup>1</sup>						Qty
	1	2	3	4	5	6 <sup>2</sup>	
<b>BR310</b>	9 (228)	4 15/16 (125)	10 1/4 (262)	26 3/4 (677)	34 7/8 (884)	11/16 (17)	4
<b>BR360</b>	10 1/2 (265)	5 5/16 (135)	11 7/8 (300)	30 1/4 (767)	39 1/8 (994)	13/16 (21)	4
<b>BR460</b>	11 1/2 (292)	6 5/16 (160)	14 1/4 (360)	34 1/4 (868)	44 3/8 (1129)	13/16 (21)	4

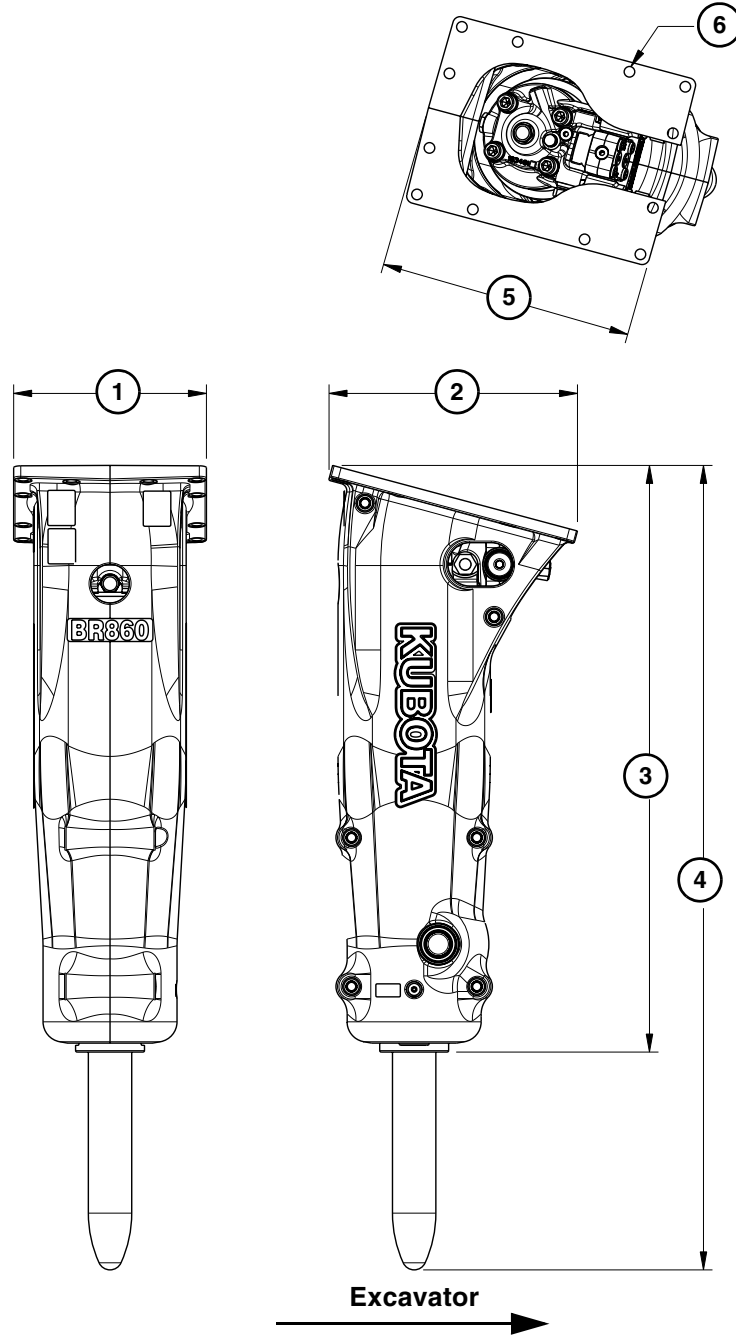
1. Dimensions are subject to change without prior notice.
2. Diameter of holes.

**BR510, BR560, & BR860 Specifications & Capacities**

<b>Breaker Specifications &amp; Capacities<sup>1</sup></b>				
<b>Model Numbers</b>	<b>Unit</b>	<b>BR510</b>	<b>BR560</b>	<b>BR860</b>
<b>Frequency range<sup>2</sup></b>	bpm	600-1800	500-1700	500-1700
<b>Oil flow range</b>	gpm (Lpm)	9-24 (35-90)	10-32 (40-120)	13-40 (50-150)
<b>Operating pressure</b>	psi (bar)	1300-2030 (90-140)	1300-2030 (90-140)	1450-2030 (100-140)
<b>Pressure relief setting minimum<sup>3</sup></b>	psi (bar)	2030-2900 (140-200)	2030-2760 (140-190)	2180-2760 (150-190)
<b>Pressure relief setting maximum</b>	psi (bar)	3190 (220)	3190 (220)	3190 (220)
<b>Back pressure, maximum</b>	psi (bar)	290 (20)	290 (20)	290 (20)
<b>Operating weight<sup>4</sup></b>	lbs (kg)	610 (275)	820-(370)	1110-(505)
<b>Tool shank diameter</b>	in (mm)	2.83 (72)	3.15 (80)	3.54 (90)
<b>Mini-excavator, tractor backhoe weight<sup>5</sup></b>	ton (m ton)	3.7-8.8 (3.4-8.0)	5.05-9.9 (4.6-9.0)	7.7-13.8 (7.0-12.5)
<b>Skid steer, robot weight<sup>6</sup></b>	ton (m ton)	2.1-3.95 (1.9-3.6)	2.85-5.5 (2.6-5.0)	4.4-7.7 (4.0-7.0)
<b>Hammer weight</b>	lbs (kg)			915 (415)

<b>Tool Specifications<sup>1</sup></b>						
	<b>Units</b>	<b>Chisel Tool</b>	<b>Moil Tool</b>	<b>Spade, Parallel</b>	<b>Spade, Transverse</b>	<b>Compact Plate</b>
<b>BR510</b>						
<b>Part number</b>		BJ631SK	BJ633SK	BJ635SK	BJ636SK	BJ637SK
<b>Length</b>	in (mm)	25 5/8 (650)	25 5/8 (650)	25 5/8 (650)	125 5/8 (650)	20 1/8 (510)
<b>Base width or diameter</b>	in (mm)			6 (150)	6 (150)	13 (330)
<b>Weight</b>	lbs (kg)	42 (19)	42 (19)	40 (18)	40 (18)	112 (51)
<b>BR560</b>						
<b>Part number</b>		BJ701SK	BJ703SK	BJ705SK	BJ706SK	BJ707SK
<b>Length</b>	in (mm)	29 1/8 (740)	29 1/8 (740)	29 1/8 (740)	29 1/8 (740)	27 5/8 (740)
<b>Base width or diameter</b>	in (mm)			8 (200)	8 (200)	13 (330)
<b>Weight</b>	lbs (kg)	60 (27)	60 (27)	55 (25)	55 (25)	150 (68)
<b>BR860</b>						
<b>Part number</b>		BJ801SK	BJ803SK	BJ805SK	BJ806SK	BJ807SK
<b>Length</b>	in (mm)	32 3/4 (830)	33 1/8 (840)	33 1/8 (840)	33 1/8 (840)	31 1/2 (800)
<b>Base width or diameter</b>	in (mm)			8 3/8 (210)	8 3/8 (210)	13 (330)
<b>Weight</b>	lbs (kg)	84 (38)	84 (38)	84 (38)	84 (38)	170 (77)

1. Specifications are subject to change without prior notice.
2. Depends on hydraulic parameters (oil flow, pressure and nozzle).
3. Operating pressure +50 bar.
4. Operating weight includes standard mounting bracket and standard tool.
5. Includes hammer and standard tool only.
6. Check Carrier's lifting capacity, especially with flange mount hammers and mounting bracket.



72344

Model Number	Dimensions [in (mm)] <sup>1</sup>						Qty
	1	2	3	4	5	6 <sup>2</sup>	
<b>BR510</b>	15 (380)	16.4 (417)	35.9 (911)	49.6 (1261)	17 (432)	0.7 (18)	10
<b>BR560</b>	15 (380)	17.8 (453)	40.6 (1032)	57 (1449)	17 7/8 (454)	0.7 (18)	10
<b>BR860</b>	15.8 (400)	20.7 (526)	47.9 (1217)	65.7 (1669)	20 5/8 (524)	0.87 (22)	12

1. Specifications are subject to change without prior notice.
2. Diameter of holes.