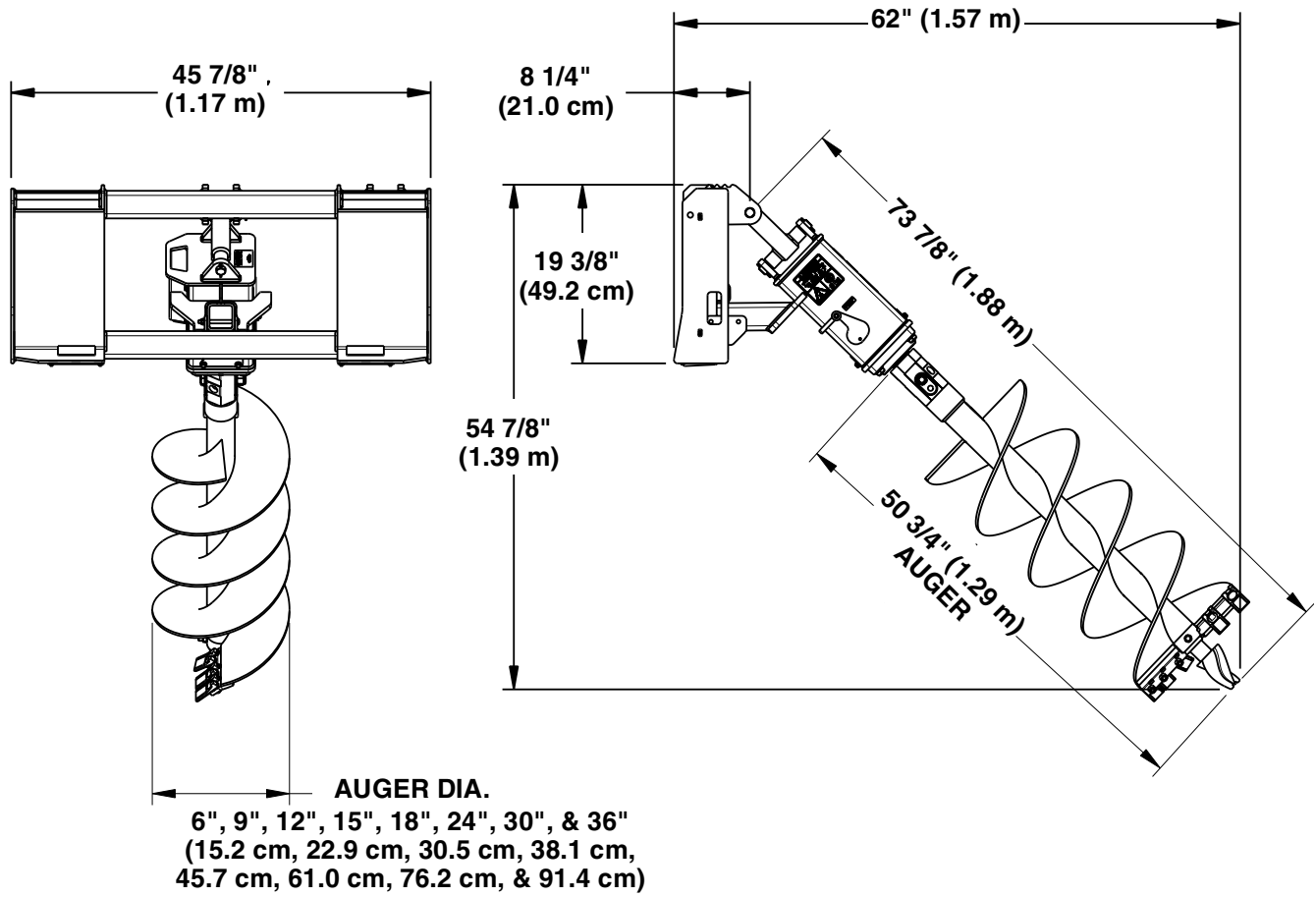


SA20 Model

Specifications & Capacities									
Hydraulic requirements	6-30 gpm (22.7-113.6 Lpm) @ 1500 to 3500 psi (10.34 to 24.13 MPa)								
Base Weight without Options	46 lbs (20.9 kg)								
Auger length	9" (22.9 cm) Auger size = 49" (1.24 m) All other auger sizes = 50 3/4" (1.29 m)								
Auger flighting thickness	5/16" (8 mm)								
Auger pipe	2 1/2" (6.4 cm) ID								
Auger teeth	Forged, Individually Replaceable 40 Degree angle installed on flat side 50 Degree angle installed on angled side								
Number of auger teeth	Hex Head Double Augers 6" (15.2 cm) - 2 teeth 9" (22.9 cm) - 4 teeth 12" (30.5 cm) - 4 teeth 15" (38.1 cm) - 5 teeth 18" (45.7 cm) - 6 teeth 24" (61.0 cm) - 8 teeth 30" (76.2 cm) - 10 teeth 36" (91.4 cm) - 12 teeth	Hex Head Tree Augers 24" (61.0 cm) - 9 teeth 30" (76.2 cm) - 11 teeth 36" (91.4 cm) - 13 teeth	Rock Augers 6" (15.2 cm) - 6 teeth 9" (22.9 cm) - 10 teeth 12" (30.5 cm) - 12 teeth 15" (38.1 cm) - 14 teeth 18" (45.7 cm) - 16 teeth 24" (61.0 cm) - 20 teeth						
Auger pilot	Cast Steel, 3 - Drill Points		Cast Steel, 4 - drill points						
Auger drive	Hydraulic								
Gearbox	Hydraulically driven planetary gearbox; reversible								
Gearbox output shaft	2" (5.1 cm) Hex								
Gearbox API-GL-5 oil weight	SAE 90 @ 35° F (1.7° C) min. temperature								
Gearbox oil capacity	14 oz (414 mL)								
Puff auger part # 317-318A	33 lbs (15.0 kg) 2" (5.1 cm) Pilot bit x 2" (5.1 cm) hex hub x 38.7" (98.3 cm) overall length								
Options and Accessories									
Hitch options & weights	Universal quick attach hitch that meets SAE standards: With 8 foot (2.44 m) hoses for skid steer mount = 127 lbs (57.6 kg) With 24 foot (7.32 m) hoses for tractor front loader mount = 145 lbs (65.8 kg)								
Hydraulic motor options & weights	<table style="width: 100%; border: none;"> <tr> <td style="width: 20%;">Medium flow</td> <td>71 lbs (32.2 kg)</td> <td>10-20 gpm @ 1500 to 3500 psi (37.9-75.7 Lpm) @ (10.34 to 24.13 MPa)</td> </tr> <tr> <td>High flow</td> <td>71 lbs (32.2 kg)</td> <td>15-30 gpm @ 1500 to 3500 psi (56.8-113.6 Lpm) @ (10.34 to 24.13 MPa)</td> </tr> </table>			Medium flow	71 lbs (32.2 kg)	10-20 gpm @ 1500 to 3500 psi (37.9-75.7 Lpm) @ (10.34 to 24.13 MPa)	High flow	71 lbs (32.2 kg)	15-30 gpm @ 1500 to 3500 psi (56.8-113.6 Lpm) @ (10.34 to 24.13 MPa)
Medium flow	71 lbs (32.2 kg)	10-20 gpm @ 1500 to 3500 psi (37.9-75.7 Lpm) @ (10.34 to 24.13 MPa)							
High flow	71 lbs (32.2 kg)	15-30 gpm @ 1500 to 3500 psi (56.8-113.6 Lpm) @ (10.34 to 24.13 MPa)							
Auger sizes	Dirt	6", 9", 12", 15", 18", 24", 30", & 36" (15.2 cm, 22.9 cm, 30.5 cm, 38.1 cm, 45.7 cm, 61.0 cm, 76.2 cm, & 91.4 cm)							
	Tree	24", 30" & 36" (61.0 cm, 76.2 cm, & 91.4 cm)							
	Rock	6", 9", 12", 15", 18", & 24" (15.2 cm, 22.9 cm, 30.5 cm, 38.1 cm, 45.7 cm, & 61.0 cm)							
Bolt-on Rock Head Sizes	6", 9", 12", 15", 18", or 24" (15.2 cm, 22.9 cm, 30.5 cm, 38.1 cm, 45.7 cm, or 61.0 cm)								
Auger extensions (Accessories)	2" (5.1 cm) Hex extension: 24" = 34 lbs and 48" = 58 lbs (61.0 cm = 15.4 kg and 1.22 m = 26.3 kg)								
Coupler options	Pioneer, large flat face, or small flat face = 3 lbs (1.4 kg)								



Post Hole Digger For Skid/Loader Hitch Plate, Center & Offset Gearbox Mount

37289