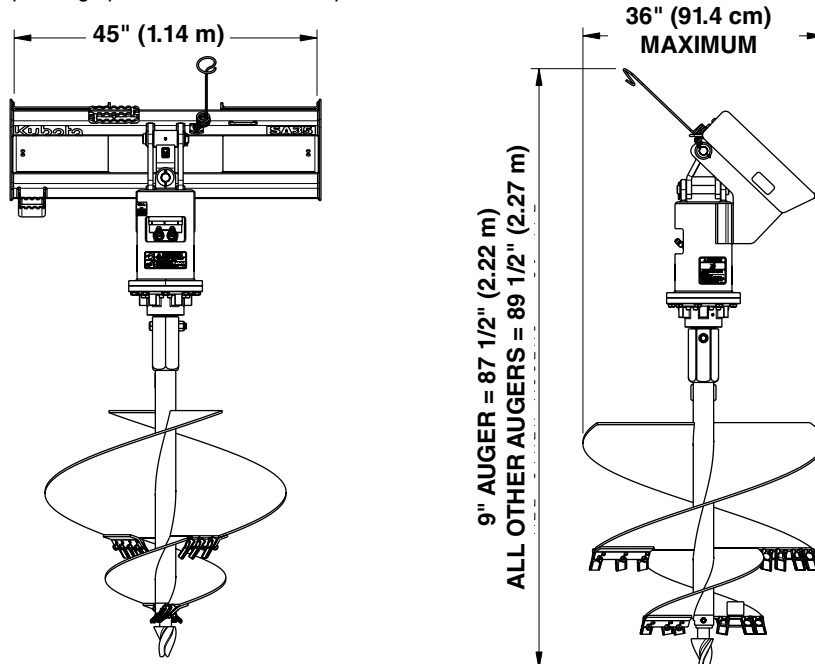


**SA35 Model**

**Specifications & Capacities**

<b>Skid Steer Hydraulic Requirements</b>	10 - 30 gpm @ 1500 to 3500 PSI (37.9 - 113.6 lpm @ 10.34 to 24.13 MPa)		
<b>Hydraulic Motor</b>	18.3 CID		
<b>Gearbox</b>	Hydraulically driven planetary gearbox; reversible		
<b>*Output Torque</b>	2,732 ft-lbs (3703.5 Nm) based on 3,000 psi (20.68 MPa) @ 20 gpm (75.7 lpm)		
<b>Hitch</b>	Skid steer type quick attach that meets SAE		
<b>Weight without Auger</b>	372 lbs (169 kg)		
<b>Auger Length</b>	9" Auger size = 49" (1.24 m) All other auger sizes = 50 3/4" (1.29 m)		
<b>Auger Flighting Thickness</b>	5/16" (8 mm)		
<b>Auger Pipe</b>	2 1/2" (6.4 cm) ID		
<b>Auger Teeth</b>	Forged, Individually Replaceable. 40 Degree angle installed on flat side and 50 degree angle installed on angled side		
<b>Number of Teeth</b>	Dirt Augers 6" - 2 teeth 9" & 12" - 4 teeth 15" - 5 teeth 18" - 6 teeth 24" - 8 teeth 30" - 10 teeth 36" - 12 teeth	Tree Augers 24" - 9 teeth 30" - 11 teeth 36" - 13 teeth	Rock Augers 6" - 6 teeth 9" - 10 teeth 12" - 12 teeth 15" - 14 teeth 18" - 16 teeth 24" - 20 teeth
<b>Pilot</b>	Cast Steel, 3 -Drill Points		Cast Steel, 4 - drill points
<b>Hex hub puff auger Part# .317-318A</b>	2" (5.1 cm) Pilot bit x 2" (5.1 cm) hex hub x 38.7" (98.3 cm) overall length		
<b>RND hub puff auger Part# 317-318A</b>	2" (5.1 cm) Pilot bit x 2 9/16" (6.5 cm) round hub x 38.7" (98.3 cm) overall length		
<b>Options and Accessories</b>			
<b>Gearbox Output Shafts (Options)</b>	2" (5.1 cm) Hex shaft or 2 9/16" (6.5 cm) round shaft		
<b>Auger sizes (Options).</b>	Dirt, 2" (5.1 cm) hex hub: 6", 9", 12", 15", 18", 24", 30", & 36" Dirt, 2 9/16" (6.5 cm) round hub: 9", 12", 15", 18", 24", 30", & 36" Tree, 2" (5.1 cm) hex & 2 9/16" (6.5 cm) round hubs: 24", 30" & 36"		
<b>Bolt-on Rock Head (Accessory)</b>	6", 9", 12", 15", 18", & 24"		
<b>Auger Extensions (Accessories)</b>	2" (5.1 cm) Hex extension: 24" & 48" Extensions Available 2 9/16" (6.5 cm) OD round extension: 24" & 48" Extensions Available		

\*Kubota Tractor Corporation publishes the above specifications for information and comparative purpose only. Input hydraulic flow rates and pressures and output hydraulic flow rates, speed and torque are based on theoretical values and calculations, without considering operating losses, which can and will vary depending upon environmental and product conditions.



37746