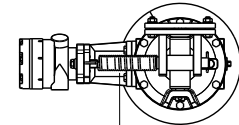
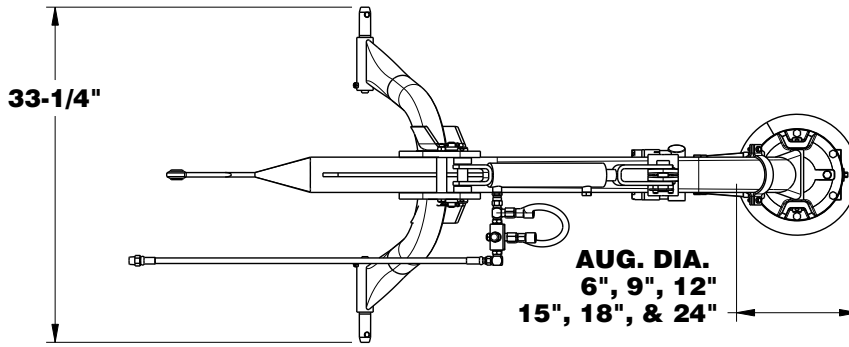


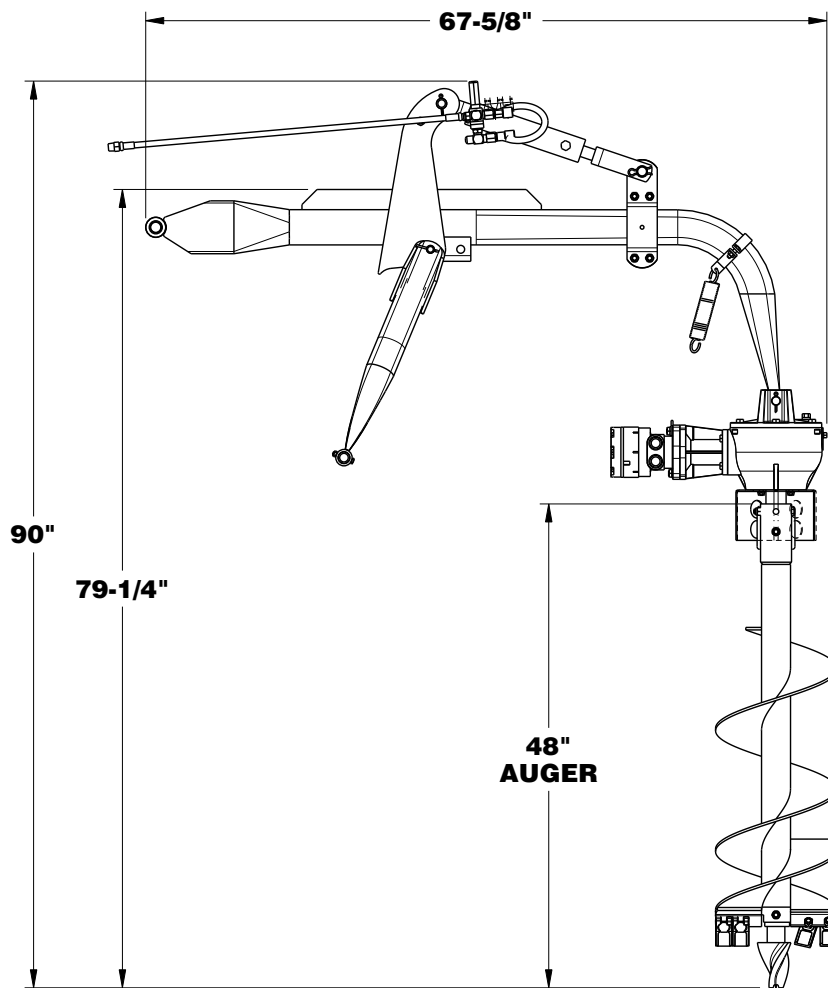
HD25 and HD35 Models

Specifications & Capacities

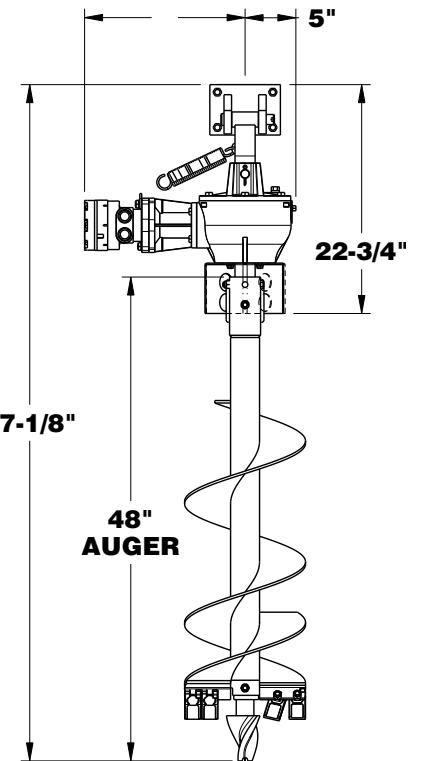
Specifications & Capacities						
Models	HD25			HD35		
Mount Type	3-Point Mount	Skid/Loader Mount	Bucket Mount	3- Point Mount	Skid/Loader Mount	Bucket Mount
Hydraulic hoses	Standard		Optional	Standard		Optional
Maximum auger rpm	101 rpm			93 rpm		
Gallons per minute rating	5 -12 gpm @ 1500 to 3500 PSI			10 -25 gpm @ 1500 to 3500 PSI		
Max torque @ 2500 PSI	700 ft-lbs			1605 ft-lbs		
Weight with 6" auger	235 lbs.	268 lbs.	170 lbs.	235 lbs.	268 lbs.	170 lbs.
Auger length	48"					
Auger flighting thickness	1/4"					
Auger pipe	2 1/2" dia.					
Auger teeth	Forged, individually replaceable 40 Degree angle installed on flat side 50 Degree angle installed on angled side					
Number of teeth	(6" - 2 teeth) (9" & 12" - 4 teeth) (15" - 5 teeth) (18" - 6 teeth) (24" - 10 teeth)					
Pilot	Cast steel, 3 drill points					
Auger drive	Hydraulic					
Gearbox	3.18:1 Ratio					
Gearbox oil capacity & type	4.7 Pints of gear lube 80-90W EP					
Output shaft on gearbox	2" O.D. round					
Hitch type	3-Point Cat I or II	Skid/Loader Mount	Bucket Mount	3-Point Cat I or II	Skid/Loader Mount	Bucket Mount
Yoke	2 7/8" O.D.	Not applicable		2 7/8" O.D.	Not applicable	
Boom	Reinforced 3 1/2" O.D.	Not applicable		Reinforced 3 1/2" O.D.	Not applicable	
Options and Accessories						
Auger extensions (Accessory)	7" and 14" extensions available					
Dirt Auger sizes (Option)	6", 9", 12", 15", or 18"					
Bolt-on Rock Head (Accessory)	6", 9", 12", 15", or 18"					
Rock Auger sizes (Option)	6", 9", 12", 15", or 18"					
Tree Auger size	24"					
Hydraulic hoses	Not applicable		(2)-24 ft. long	Not applicable		(2)-24 ft. long
Hydraulic Down Pressure Kit	Available	Not applicable		Available	Not applicable	
Storage stand	Available	Not applicable		Available	Not applicable	



AUGER DIA.
6", 9", 12"
15", 18", & 24"



HD25 = 15-7/8"
HD35 = 16-3/8"

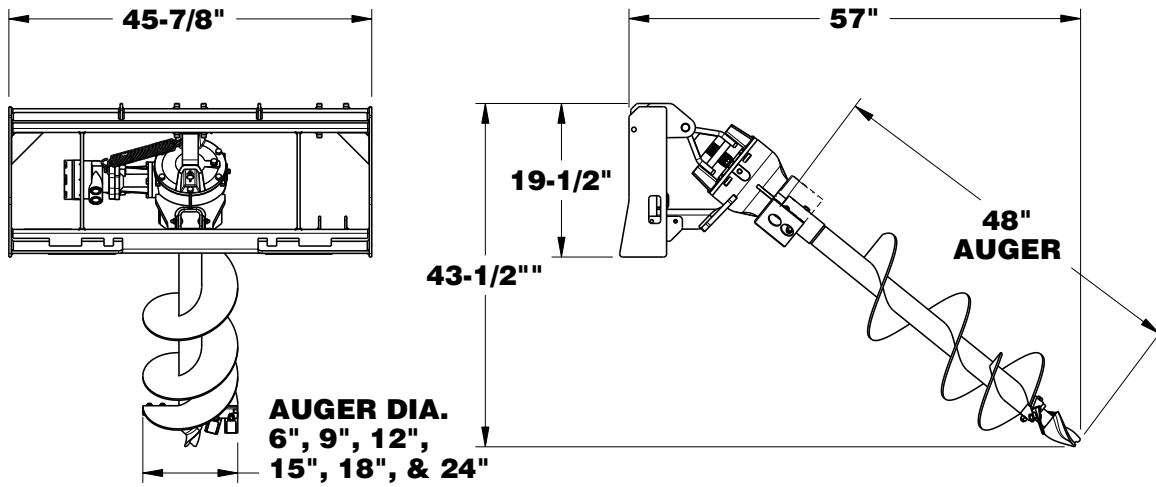


3-Point Mount Post Hole Digger

27527

Bucket Mount Post Hole Digger

26779



Skid/Loader Mount Post Hole Digger, Center & Offset Mount

37024