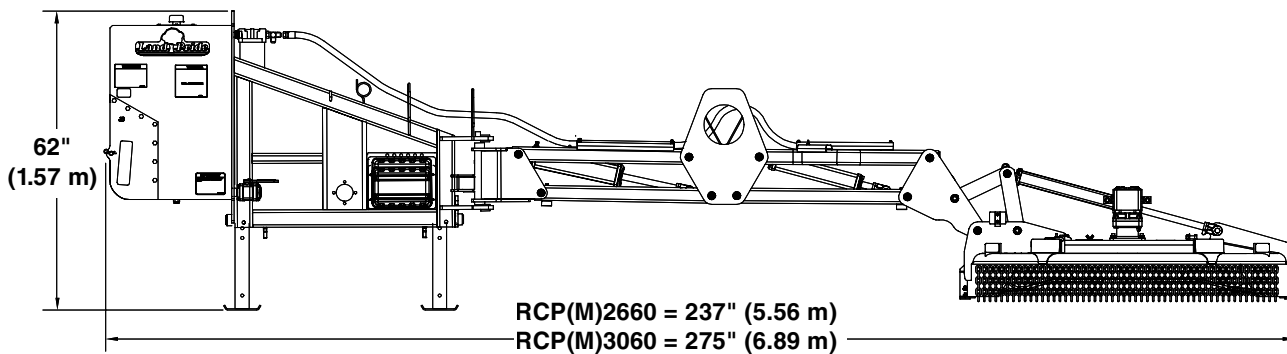
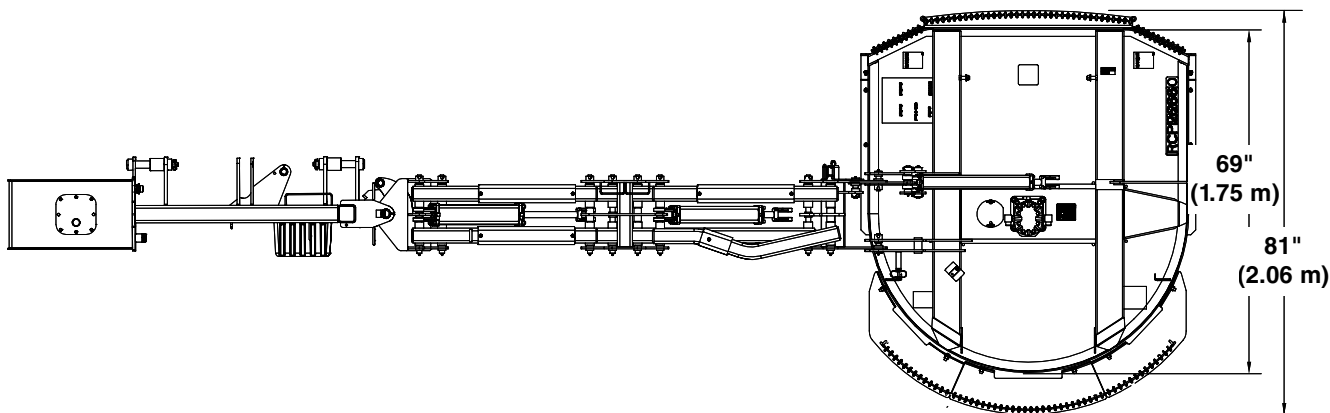


FOLDED TRANSPORT POSITION



FULLY EXTENDED FIELD POSITION

22005

Overall Dimensions