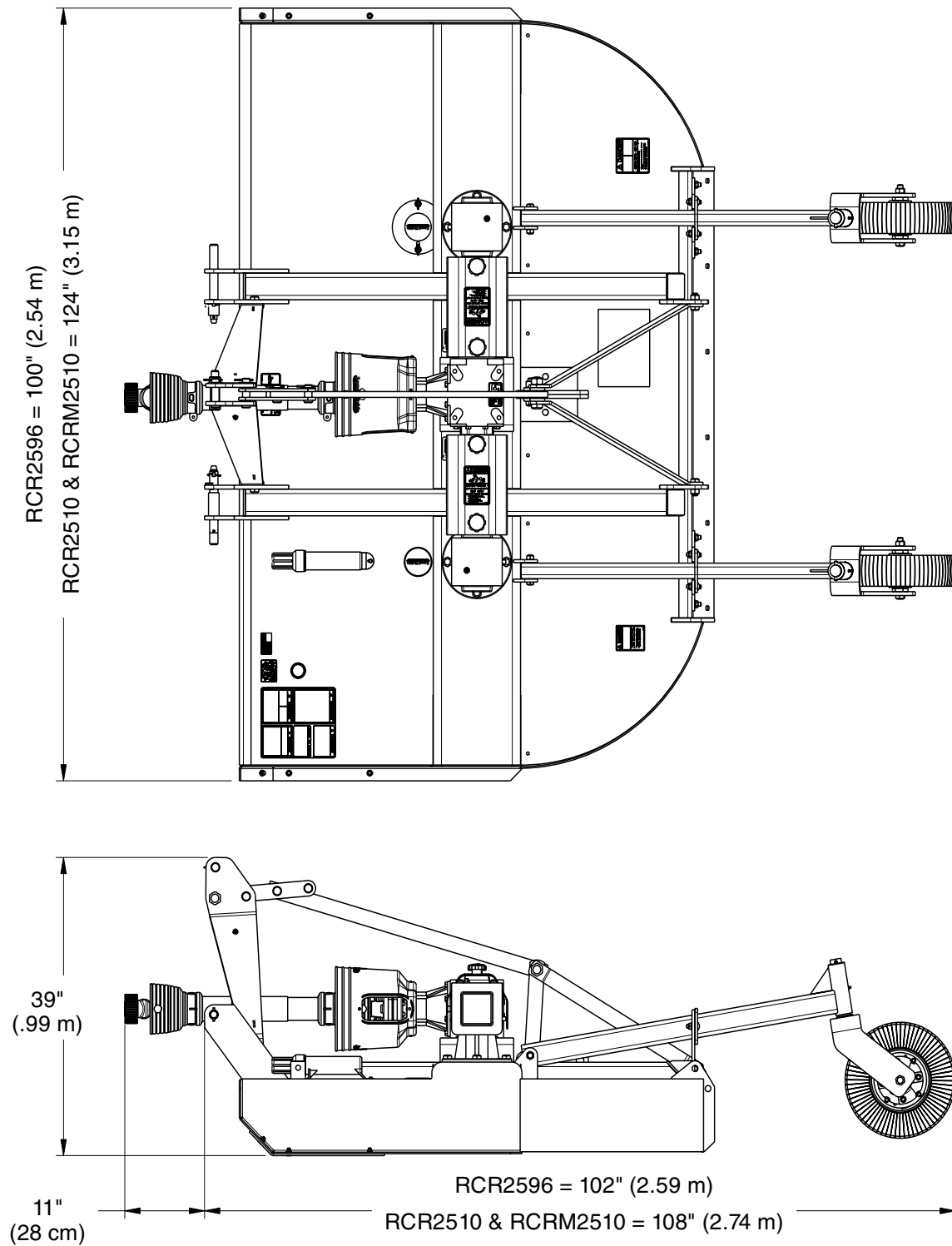




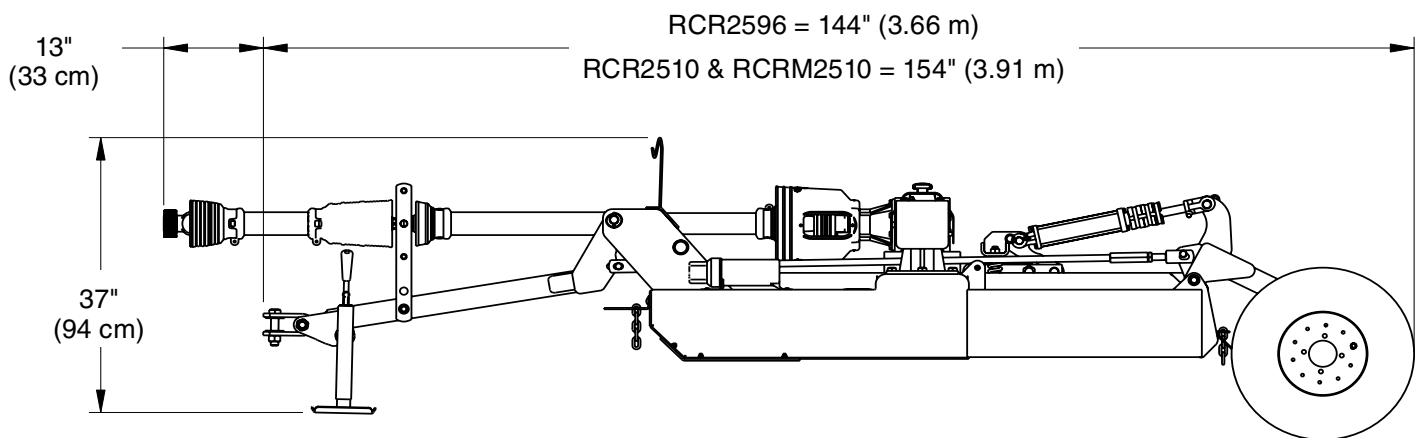
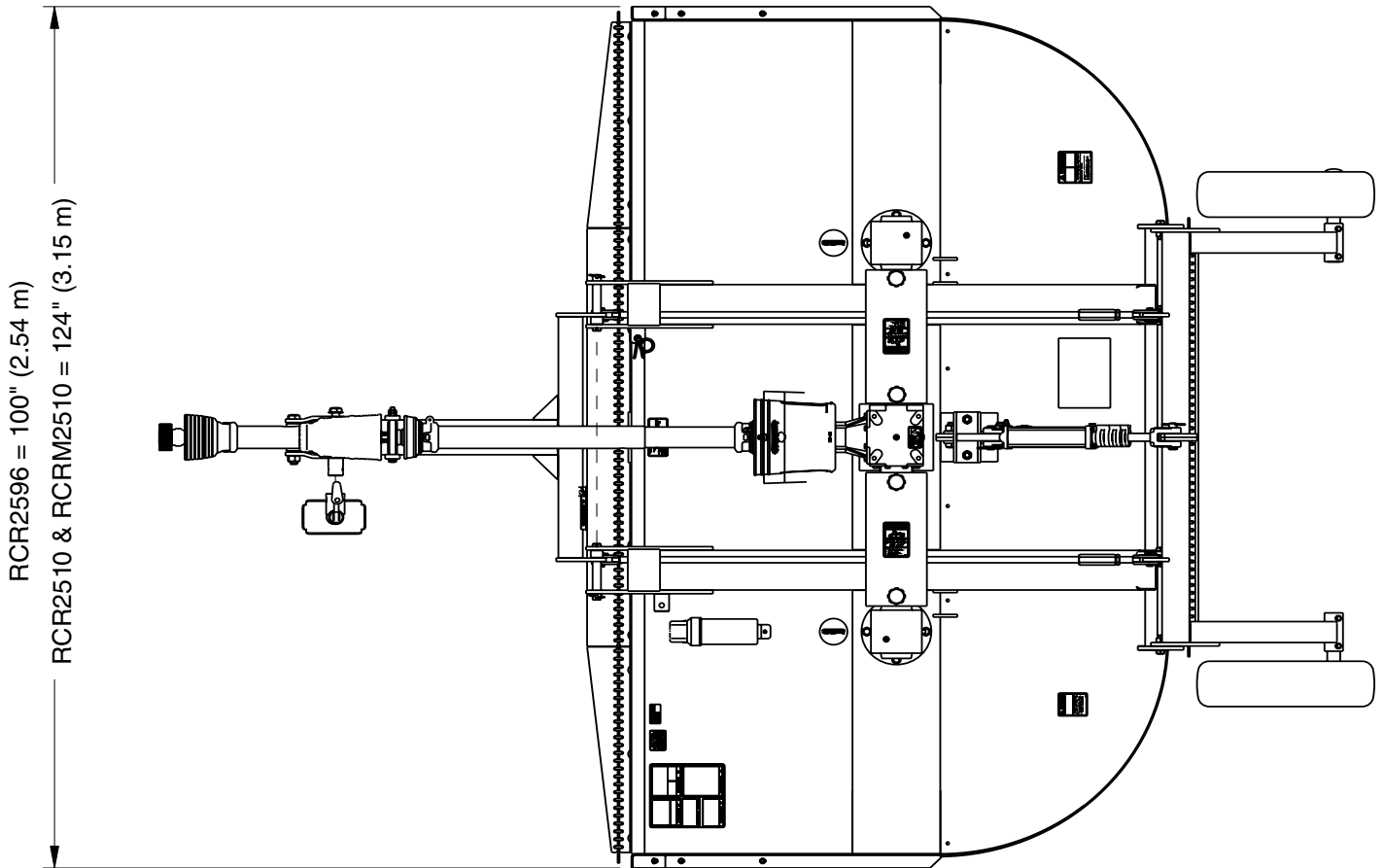
RCR25 Series

Specifications & Capacities			
	Units	RCR2596 (540 rpm)	RCR2510 (540 rpm) RCRM2510 (1000 rpm)
Machine weight (With front and rear chain shields)	lbs (kg)	Lift-type 1,380 (626) Pull-type 1,665 (755)	Lift-type 1,750 (794) Pull-type 2,035 (923)
Hitch		Lift-type Category 1 & 2 Quick-Hitch adaptable Pull-type - w/dual level rods	Lift-type Category 2 & 3 Quick-Hitch adaptable Pull-type - w/dual level rods
Pull type tongue weight	lbs (kg)	651 (295)	872 (396)
Cutting width	inches (m)	7' - 10" (2.39)	9' - 10" (3.00)
Overall width	inches (m)	8' - 3 3/4" (2.54)	10' - 3' 1/2" (3.15)
Overall length	inches (m)	Lift-type: 8' - 6" (2.59) Pull-type: 12' - 1/4" (3.66)	Lift-type: 9' - 0" (2.74) Pull-type: 12' - 9 1/2" (3.91)
Deck height	inches (cm)	9 5/8" (24.4 cm)	
Cutting height	inches (cm)	2 - 12 (5.1 - 30.5)	2 - 10 1/2 (5.1 - 26.7)
Cutting capacity		1 1/2 (3.8 cm)	
Tractor Hp rating	hp (kW)	Lift-type: 50 - 110 (37.3 - 82) Pull-type: 40 - 110 (29.8 - 82)	Lift-type: 60 - 110 (44.7 - 82) Pull-type: 50 - 110 (37.3 - 82)
Power take-off speed			
Gearbox horsepower rating	hp (kW)	Center - 100 (74.6) Outboard 60 (44.7)	
Gearbox (Speed up beveled gears)		540 rpm or 1000 rpm power take-off driven gearbox Cast iron housing, beveled gears	
Gearbox lubrication		80-90w EP	
Gearbox oil capacity	pints (L)	2.5 (1.18)	2.5 (1.18)
End boxes T-box		4.5 (2.13)	4.5 (2.13)
Gearbox Input/ output shaft size		Input shaft = 1 3/4" - 20 spline Output shaft = 2" dia.	
Deck material thickness	gauge (mm)	10 (3.4)	
Deck side skirt thickness	inches (mm)	3/16 (5)	3/16 (5)
Skids		Replaceable	
Stump jumper	inches (mm)	Round pan 3/16 (5)	
Blades (2)		1/2" x 4" Heat treated Free-swinging suction blades	
Blade bolts		Keyed with harden flat washer and locknut	
Blade tip speed	fpm (mps)	540 rpm 14,592 (71.1)	540 rpm 17,749 (90.2) 1000 rpm 18,035 (91.6)
Driveline		Cat 4, w/equal angle u-joint	Cat 4 w/equal angle u-joint or Constant velocity u-joint
Driveline protection		540 rpm - 4 plate slip clutch 1000 rpm - 2 plate slip clutch	
Tailwheel option		4" x 8" x 15 1/4" Laminated 6" x 9" x 21" Laminated or 24" recap aircraft tires	
Optional safety shields		Front & rear chain/ front & rear rubber	



26815

3-Point Type RCR25 Series



26816

Pull Type RCR25 Series