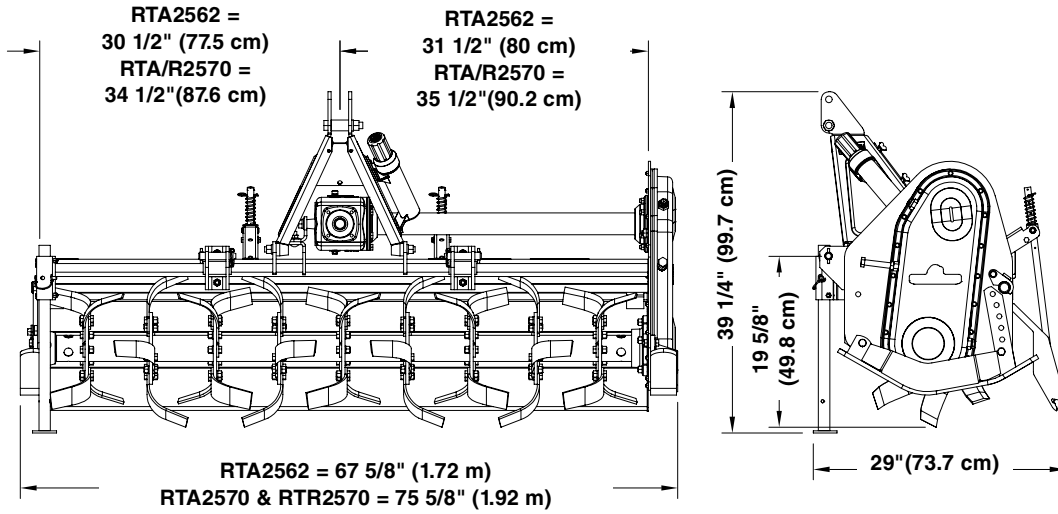




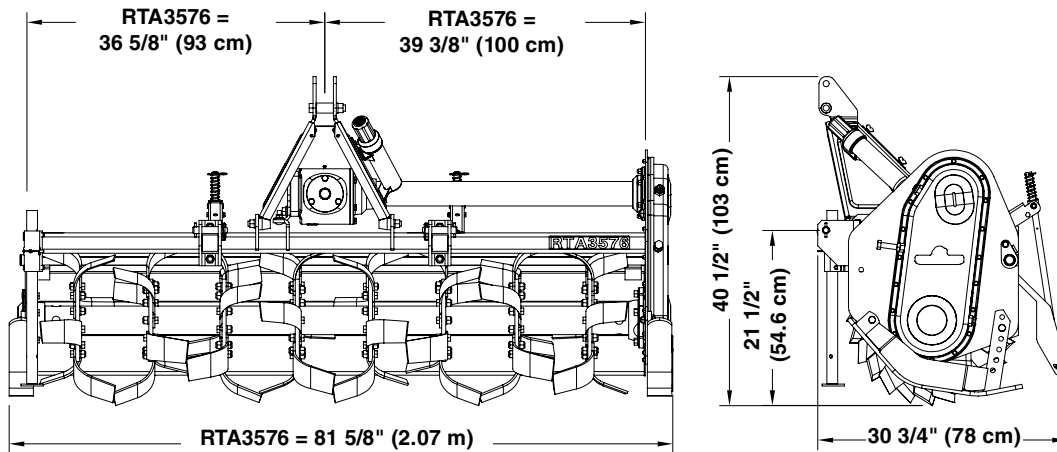
RTA25 & RTA35 Series

	Specification & Capacities		
Model Number	RTA2562-06	RTA2570-06	RTA3576
Recommended Power Take-off Horsepower	25-75 Horsepower (18.6 - 55.9 kW)		35-95 Horsepower (26.1 - 70.8 kW)
Weight	649 lbs (294.4 kg)	663 lbs (300.7 kg)	856 lbs (388.3 kg)
Tilling Width	62" (1.57 m)	70" (1.78 m)	76" (1.93 m)
Overall Width	67 5/8" (1.72 m)	75 5/8" (1.92 m)	81 5/8" (2.07 m)
3-Point Hitch Type	Category I, Adjustable Lower Hitch Clevis with Plated Pins		Category 1 & 2, Adjustable Lower Hitch Clevis
Quick Hitch Compatible	Cat. I Yes	Yes	Yes
	Cat. II No	No	Yes
Offset Capabilities	Yes, up to 5" maximum. May require offsetting the tractor's lower 3-Point lift arms to achieve full 5" offset. (Cannot offset with Quick Hitch)		
Number of Flanges	8	9	8
Number of Tines per Flange	6		
Tine Construction	High Carbon heat treated "C" shaped blades		
Skid Shoes	Adjustable		
Storage Stands	Adjustable		
Rear Deflector	Spring Loaded, adjustable, rear deflector		
Driveline	ASAE Category III Heavy Duty Slip-Clutch		ASAE Category IV Heavy Duty Slip-Clutch
Gearbox	45 hp at 540 rpm 1.92:1 Ratio		65 hp at 540 rpm 1.87:1 Ratio
Gearbox Construction	Cast Iron Housing, Straight Bevel Gears		
Gearbox Lubrication	SAE 80-90W EP oil		
Gearbox Oil Capacity	2 Pints (.95 L)	1.65 Pints (.78 L)	2 Pints (.95 L)
Drive Chain	#100 Roller chain Fully enclosed in oil bath with drain plug, fill plug and skid protection		
Chain Case Oil Type	Shell Gadus S2 V2200 00 flowable grease or equivalent Land Pride Part #821-045C [32 oz. (.95 L) bottle]		
Sprockets	2" Cold rolled steel		
Rotor Swing Diameter	17" (43.2 cm)		19" (48.3 cm)
Rotor Shaft Speed	220 rpm at 540 rpm power take-off speed		204 rpm at 540 rpm power take-off speed



RTA25 & RTR25 Series

26801



RTA35 Series

26803