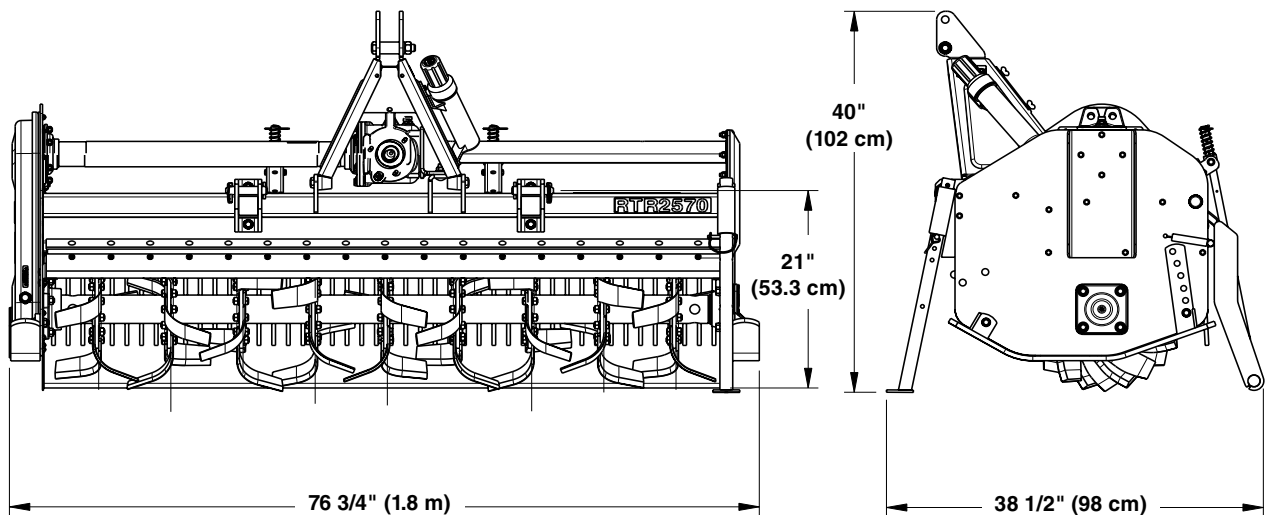




RTR2570 Model

	Specifications & Capacities
Recommended Power Take-off Horsepower	25 - 75 Horsepower (18.6 - 56 kW)
Weight	868 lbs (394 kg)
Tilling Width	70" (1.78 m)
Overall Width	76 3/4" (1.95 m)
3-Point Hitch Type	Category 1 with Adjustable lower Hitch Clevises Fits Land Pride Quick Hitch
Offset Capabilities	Yes (Cannot offset with Quick Hitch)
Number of Flanges	9
Number of Tines per Flange	6 ea. "C" shaped blades
Tine Construction	High Carbon heat treated "C" shaped blades
Skid Shoes	Adjustable
Storage Stands	Adjustable
Rear Deflector	Spring Loaded, adjustable, profile stamped rear deflector
Front Protector	Plate with reinforced rubber insert
Driveline	ASAE Category III Heavy Duty Friction Clutch-Standard
Gearbox	45 hp (33.6 kW) Input at 540 rpm 1.92:1 Ratio Cast Iron Housing, Straight Bevel Gears
Gearbox Oil Capacity and Type	1.65 Pints of Gear Lube 80-90W EP
Drive Chain	#100 Roller chain - Fully enclosed in oil bath with drain plug, fill plug & skid protection
Drive Chain Lubrication	Shell Gadus S2 V2200 00 flowable grease or equivalent Land Pride Part #821-045C (32 oz. bottle)
Sprockets	Hardened teeth
Rotor Swing Diameter	17" (43.2 cm)
Rotor Shaft Speed	220 rpm at 540 rpm power take-off speed
Coil Spring "Sifting" Tines	46



37072