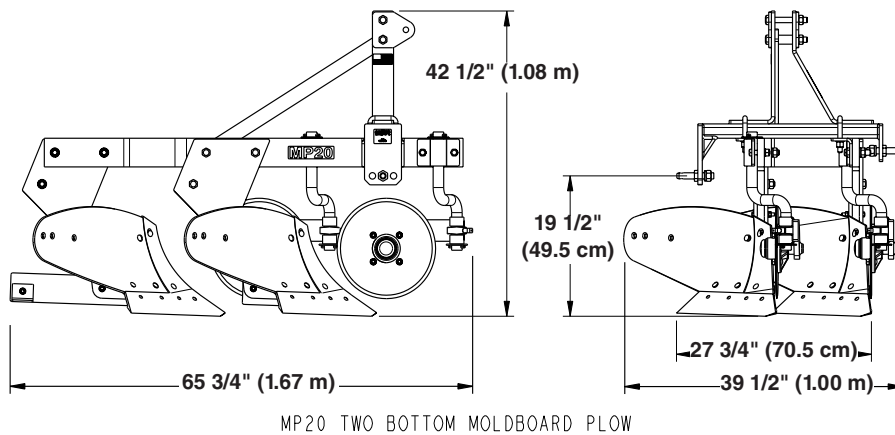
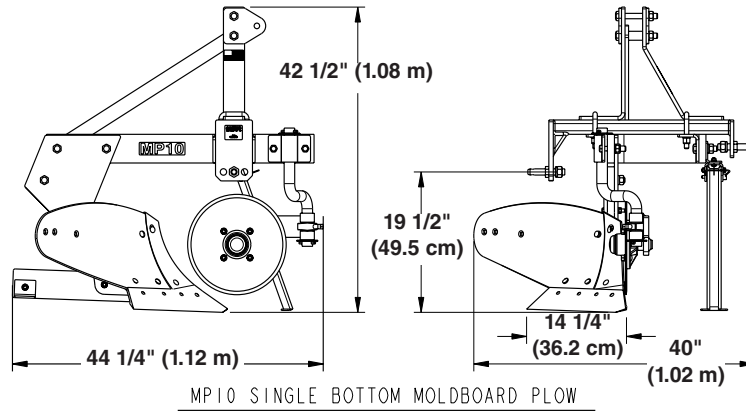


MP10 & MP20

Specifications & Capacities		
Model Numbers	MP10	MP20
Horsepower	2 Wheel drive: 20 to 60 hp (14.9-44.7 kw) 4 Wheel drive: 20 to 50 hp (14.9-37.3 kw)	2 Wheel drive: 30 to 60 hp (22.4-44.7 kw) 4 Wheel drive: 30 to 50 hp (22.4-37.3 kw)
Weight	with coulters 342 lbs (155.1 kg) without coulters 300 lbs (136.1 kg)	582 lbs (264.0 kg) 498 lbs (225.9 kg)
Hitch type	3-point Cat. I	3-point Cat. I
Construction	1" x 4" (2.5 cm x 10.2 cm) Bolted steel frame	1" x 4" (2.5 cm x 10.2 cm) Bolted steel frame
Park Jack	Yes	No
Number of bottoms	(1) - 14" (35.6 cm) Bottom	(2) - 14" (35.6 cm) Bottoms
Cutting width	14" (35.6 cm)	27 1/2" (69.9 cm)
Working depth	Max. 7" (17.8 cm) (depending on soil conditions)	Max. 7" (17.8 cm) (depending on soil conditions)
Plow shank shear bolt	7/16"-14 x 3" GR8 share bolt	7/16"-14 x 3" GR8 share bolt
Plow share material	Forged steel	Forged steel
Moldboard & Shin Thickness	5/16" (8 mm)	5/16" (8 mm)
Frog & Landslide Thickness	1/2" (13 mm)	1/2" (13 mm)
Replaceable wear components	1 ea. - Share, moldboard, shin, landslide, and optional coulters	2 ea. - Share, shin, moldboard, landslide, and optional coulters
Optional - Coulters	14" (35.6 cm) Diameter coulters with greasable 1 1/4" (3.2 cm) roller bearings	14" (35.6 cm) Diameter coulters with greasable 1 1/4" (3.2 cm) roller bearings
Accessory - MP Top Link Extension	Yes	Yes



39507