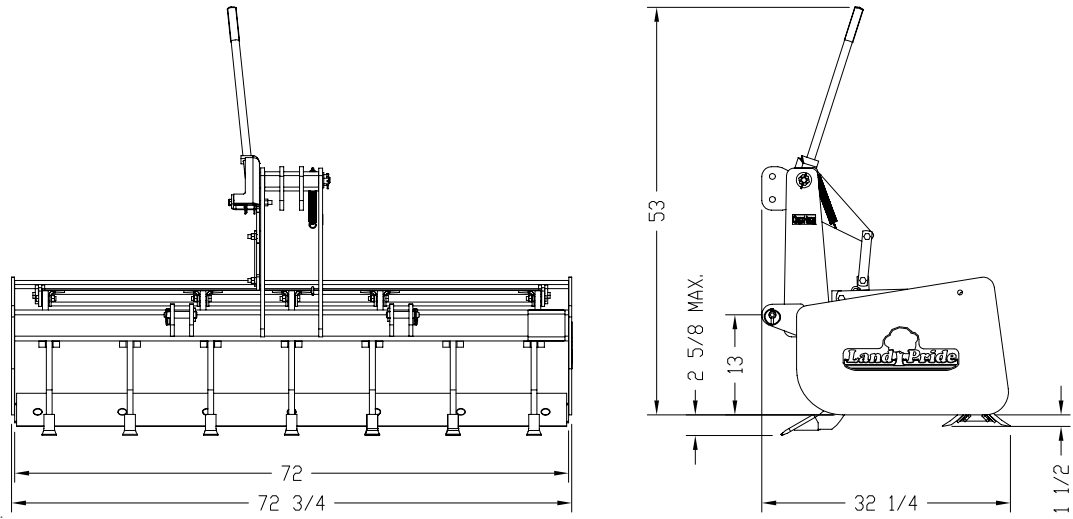


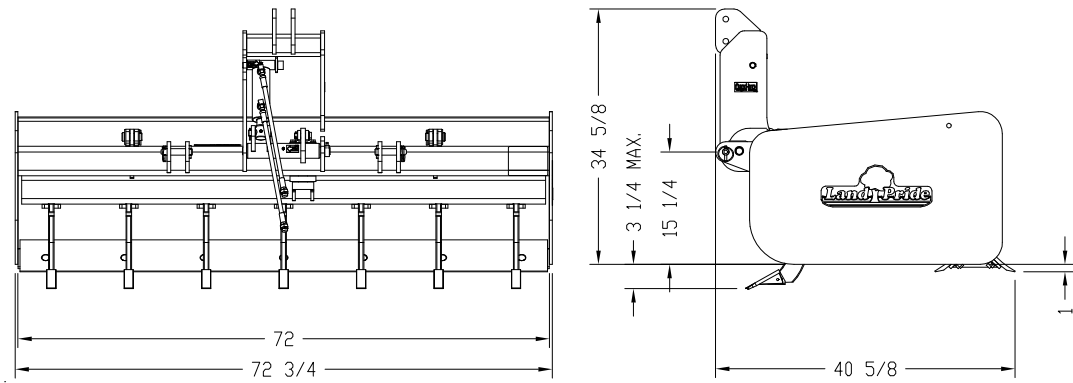
MR15 & HR25 Retractable Series

	MR1572	HR2572
Working width	72"	72"
Capacity	16 cu. ft.	24.4 cu. ft.
Weight	615 lbs.	851 lbs.
Number of shanks	7	7
Shank material	3/4" x 2 9/16" heat treated spring steel	3/4" x 2 1/2" heat treated spring steel
Shank penetration	2-positions 5/8" & 2 5/8" below end plates	2-positions 3/4" & 3 1/4" below end plates
Shank tip construction	Replaceable heat treated dimpled-on tips	
Shank beam	4" x 4" x 5/16" Square tubing reinforced with guide angles & shank retainer at each shank	4" x 4" x 1/2" Square tubing reinforced with shank support lugs at each shank
Lift mechanism	Mechanical lever lift with spring assist	Hydraulic cylinder pivots shank tube to lift shanks up
Moldboard	Roll-formed moldboard - 18 1/2" high	Roll-formed moldboard - 20 1/2" high
Side panels	3/8" thick x 18" high x 27 1/2" deep	3/8" thick x 21" high x 34" deep
Depth of bucket	24"	30"
Cutting blades	2 ea. 1/2" x 6" high carbon, heat treated cutting edges; reversible and replaceable	
Maximum hp rating	40 hp for 4 wheel tractors 50 hp for 2 wheel tractors	60 hp for 4 wheel tractors 60 hp for 2 wheel tractors
3-Point hitch type	Category I (Fits Land Pride Quick Hitch)	



26747

MR1572 Retractable Box Scraper



26749

HR2572 Retractable Box Scraper