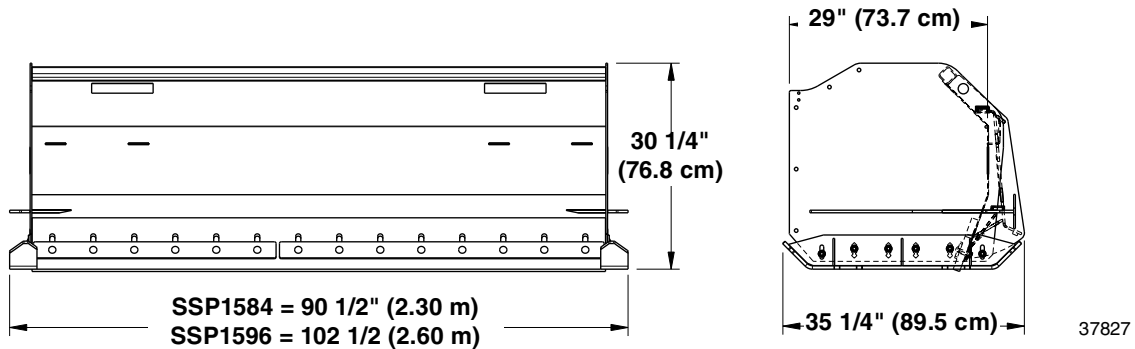
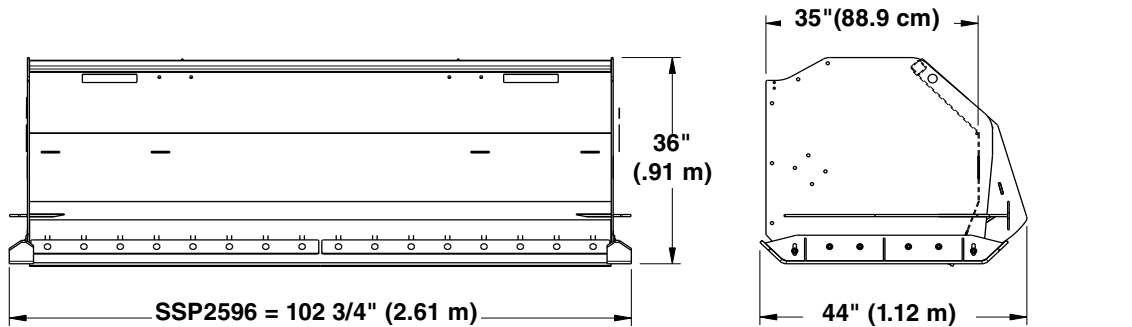


SSP15 & SSP25 Series

Specifications & Capacities					
		SSP1584	SSP1596	SSP2596	
Working width	in (m)	84 (2.13)	96 (2.44)	96 (2.44)	
Capacity (Approximate)	ft ³ (m ³)	39 (1.10)	44.5 (1.26)	64 (1.81)	
Weight with rubber Blade	lbs (kg)	562 (254.9)	603 (273.5)	844 (382.8)	
Horsepower range	hp (kW)	30-60 (22.3-45.7)		50-80 (37.3-59.7)	
Lift capacity of carrier	lbs (kg)	2,000 (907.2) Maximum		5,000 (2,268) Maximum	
Operating weight of carrier	lbs (kg)	5,000 (2,268) Maximum		8,000 (3,628.7) Maximum	
Hitch type		Universal Quick Attach Hitch		Universal Quick Attach Hitch	
Non-slip steps		Serrated steps mounted on hitch		Serrated steps mounted on hitch	
Skid Shoes	in (mm)	AR400 1/2 x 4 (13 x 102) Reversible & replaceable		AR400 1/2 x 4 (13 x 102) Reversible & replaceable	
Moldboard thickness	in (mm)	10 Ga. (3.4)		3/16 (5)	
Side panel thickness	in (mm)	1/4 (6)		5/16 (8)	
Snow blades (Optional)	in (cm)	1 x 8 (2.5 x 20.3) Rubber with adjusting slots. Reversible and replaceable blade		1 1/2 x 8 (3.8 x 20.3) Rubber with adjusting slots. Reversible & replaceable blade	
Steel blades (Optional)	in (mm)	1/2 x 6 (1.3 x 152) Reversible and replaceable blades		1/2 x 6 (1.3 x 152) Reversible and replaceable blades	
Pull Back (Optional)	in (cm)	1 x 8 (2.5 x 20.3) Rubber blade with adjusting slots. Blade is reversible and replaceable		1 1/2 x 8 (3.8 x 20.3) Rubber blade with adjusting slots. Blade is reversible and replaceable	
Orange marker (Accessory)	in (cm)	28 (71.1) Tall, bolts to the side panels		28 (71.1) Tall, bolts to the side panels	



SSP15 Series Snow Pushers



SSP25 Series Snow Pusher