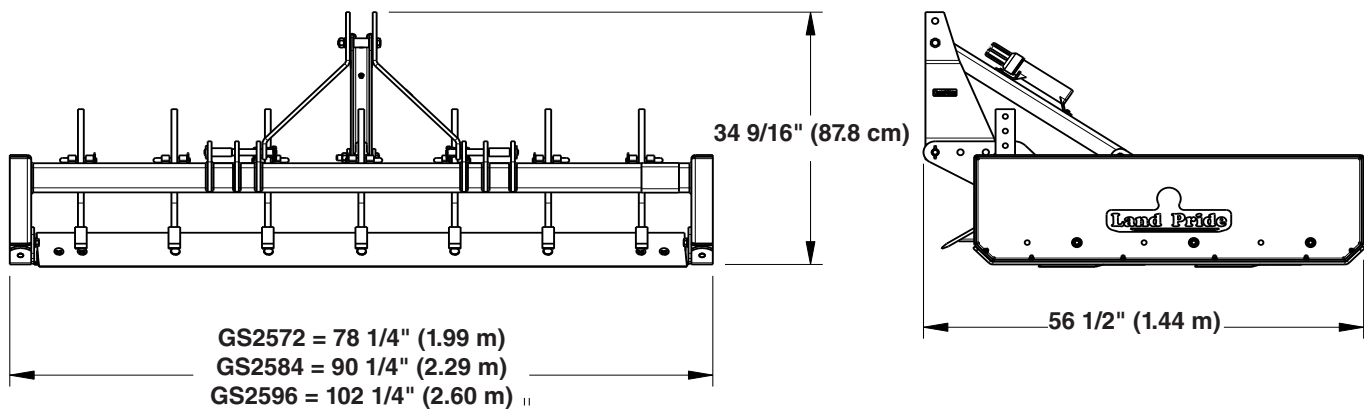


**GS25 Series**

**Specifications & Capacities**

Model Numbers	GS2572	GS2584	GS2596
Working Width	72" (1.83 m)	84" (2.13 m)	96" (2.44 m)
Overall Width	78 1/4" (1.99 m)	90 1/4" (2.29 m)	102 1/4" (2.60 m)
Number of Scarifier Shanks	6	7	8
Tractor horsepower Requirement	40-90 hp (29.8-67.1 kw)	40-90 hp (29.8-67.1 kw)	40-90 hp (29.8-67.1 kw)
Unit Weight with Shanks	774 lbs (351.1 kg)	846 lbs (383.7 kg)	917 lbs (415.9 kg)
Overall Length	56 1/2" (1.44 m)		
Overall Height	34 9/16" (87.8 cm)		
Side Panel Height	14 5/8" (37.1 cm)		
Side Panel Length	50" (1.27 m)		
Side Panel Thickness Tractor	1/4" (6 mm) Thick with 2 3/4" (7.0 cm) formed edges.		
Front Main Beam & Scarifier Support.	4"x 4" x 5/16" (10.2 cm x 10.2 cm x 0.8 cm) Reinforced heavy wall tubing.		
Rear Beam Construction	3"x 3"x 3/16" (7.6 cm x 7.6 cm x 0.5 cm) Heavy wall tubing.		
Skid Shoe Dimensions	3/8" (10 mm) Thick x 2 3/4" (7.0 cm) wide x 50 1/4" (1.28 m) long.		
Skid Shoe Material	Constructed of high carbon steel		
Scarifier Shank Construction - Optional	Heat treated 4-position shank with dimpled-on hardened tips.		
Cutting Edges	Two 1/2" x 6" (1.3 cm x 15.2 cm) high carbon heat treated blades that are reversible and replaceable.		
Cutting Edge Placement	Two parallel grading blades positioned at a 5 degree grading angle with 20" (50.8 cm) fore and aft spacing in between leading edges.		
Cutting Edge Adjustment	Infinite vertical adjustment from level grade to 1 1/2" (3.8 cm) below grade.		
Shank Adjustments	3 1/2" and 1 1/2" (8.9 cm and 3.8 cm) below grade level. 1/2" and 2 1/2" (1.3 cm and 6.4 cm) above grade level.		
Lower Draft Link Attachment	Clevis type		
Hitch Type	Category I & II 3-point hitch Category I & II Quick Hitch Compatible		
Color Selections	Land Pride Beige or Orange		



26667