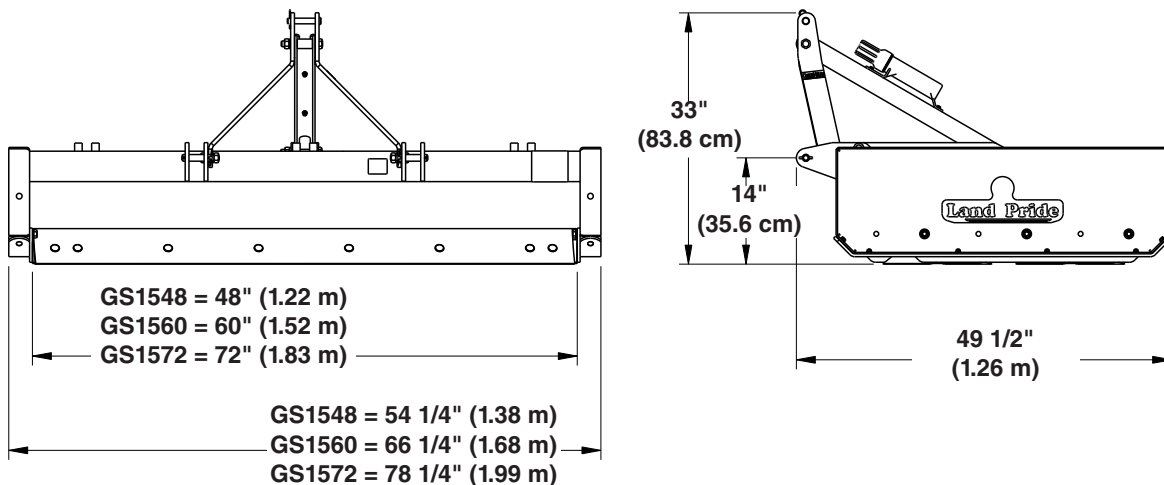


GS15 Series

List	Specifications & Capacities		
	GS1548	GS1560	GS1572
Model Numbers	GS1548	GS1560	GS1572
Working width	48" (1.22 m)	60" (1.52 m)	72" (1.83 m)
Overall width	54 1/4" (1.38 m)	66 1/4" (1.68 m)	78 1/4" (1.99 m)
Number of scarifier shanks	4	4	5
Tractor horsepower requirement	20-50 hp (14.9-37.3 kw)	25-50 hp (18.6-37.3 kw)	25-50 hp (18.6-37.3 kw)
Unit weight with shanks	437 lbs (198.2 kg)	511 lbs (231.8 kg)	594 lbs (269.4 kg)
Overall length	50" (1.27 m)		
Overall height	32" (81.3 cm)		
Side panel height	14" (35.6 cm)		
Side panel length	44" (1.12 m)		
Side panel thickness	3/16" (5 mm) Thick with 2 3/4" formed edges.		
Front main beam & scarifier Support.	4"x 4" x 5/16" (10.2 cm x 10.2 cm x 0.8 cm) Reinforced heavy wall tubing.		
Rear beam construction	2"x 2"x 3/16" (5.1 cm x 5.1 cm x 0.5 cm) Heavy wall tubing.		
Skid shoe dimensions	3/8" (10 mm) Thick x 2 3/4" (7.0 cm) wide x 44" (1.12 m) long.		
Scarifier shank construction - Optional	Heat treated 4-position shank with dimpled-on hardened tips.		
Cutting edges	Two 1/2" x 6" (1.3 cm x 15.2 cm) high carbon heat treated blades that are reversible and replaceable.		
Cutting edge placement	Two parallel grading blades positioned at a 5 degree grading angle with 17 1/2" (44.5 cm) fore and aft spacing in between leading edges.		
Cutting edge adjustment	Infinite vertical adjustment from level grade to 1 1/2" (3.8 cm) below grade.		
Shank adjustments	3 1/2" and 1 1/2" (8.9 cm and 3.8 cm) below grade level. 1/2" and 2 1/2" (1.3 cm and 6.4 cm) above grade level.		
Lower draft link attachment	Clevis type		
Hitch type	Category 1 and Category 1 Quick Hitch		
Color selections	Land Pride Beige or Orange		



26758