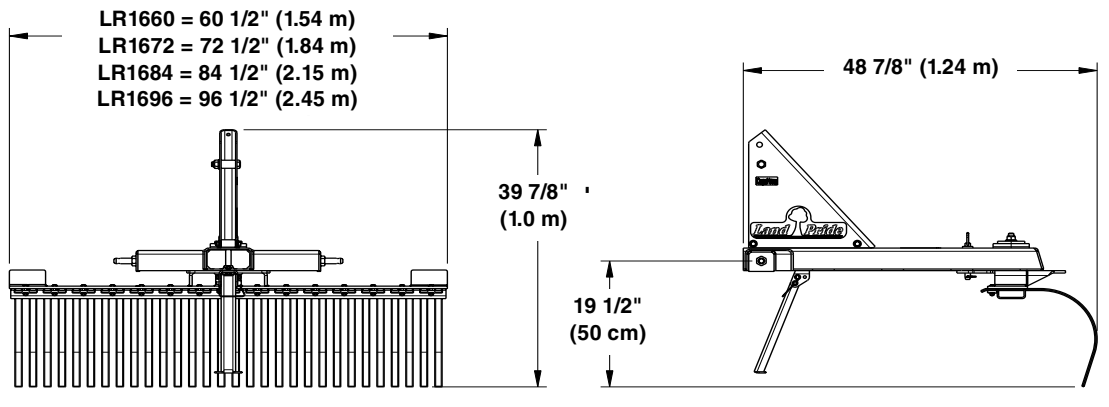


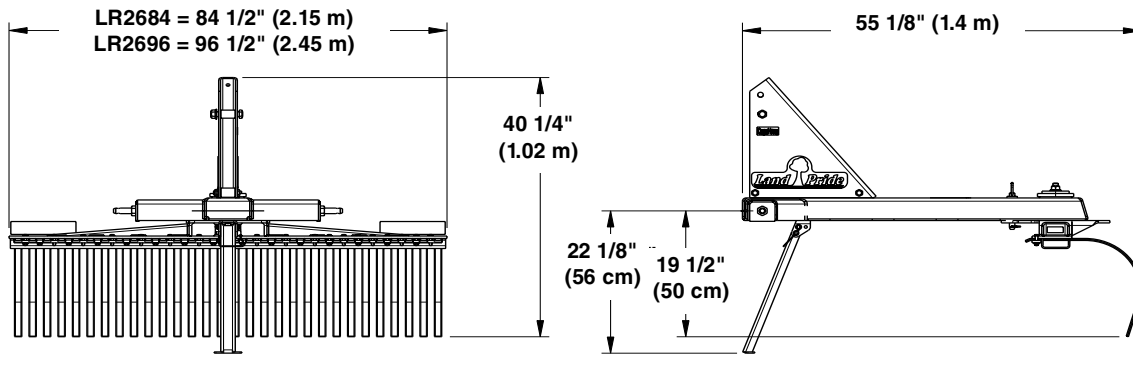
LR16 & LR26 Series Landscape Rakes

	LR16 Series				LR26 Series	
	LR1660	LR1672	LR1684	LR1696	LR2684	LR2696
Rake width	60" (1.52 m)	72" (1.83 m)	84" (2.13 m)	96" (2.44 m)	84" (2.13 m)	96" (2.44 m)
Approximate weight, units: lbs (kg)	241 (109)	270 (123)	291 (132)	316 (143)	330 (150)	348 (158)
Number of teeth	30	36	42	48	42	48
Horsepower rating	20-40 (15-30 kW)				25-60 (19-45 kW)	
Hitch category	Cat. I, Fits Land Pride's Quick Hitch					
Pivot tube diameter	3 1/2" (9 cm)					
Rake height	16 1/2" (42 cm)					
Park stand	Standard					
Individual replaceable teeth	Standard					
Teeth size (thickness x width)	5/16" x 1" (8 mm x 2.5 cm)					
Teeth Spacing	2" (5.1 cm) Centers					
Teeth material	High Carbon Spring Steel					
Rake angle	Manually (Standard)	7 Forward positions, maximum 45° Right or Left in 15° increments				
	Hydraulically (Accessory)	Infinite number of forward positions, maximum 45° Right or Left				
Dual gauge wheels*	(Accessory)	Dual narrow width wheels 13" x 4" x 6" or dual wide width wheels 13" x 6.5" x 6"				
Flip down grader blade	(Accessory)	Flip down self supporting grader blade with blade-up locking handles and locking pins				
Rear blade attachment	(Accessory)	60", 72" & 84"			72", 84" & 96"	
Available working widths	(1.52 m, 1.83 m, & 2.13 m)				(1.83 m, 2.13 m & 2.44 m)	

* Dual gauge wheels are capable of supporting Flip Down Grader Blade Accessory.



LR16 Series Landscape Rakes



LR26 Series Landscape Rakes

33848