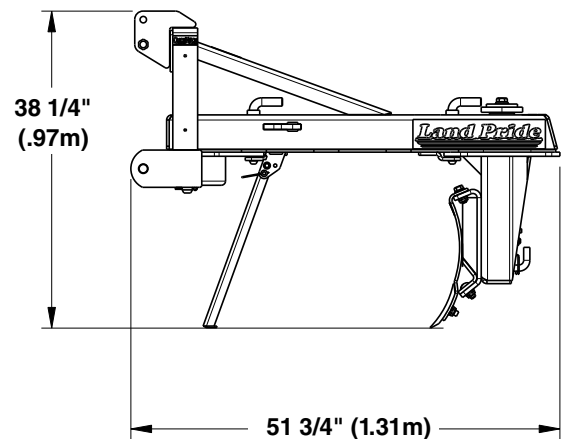
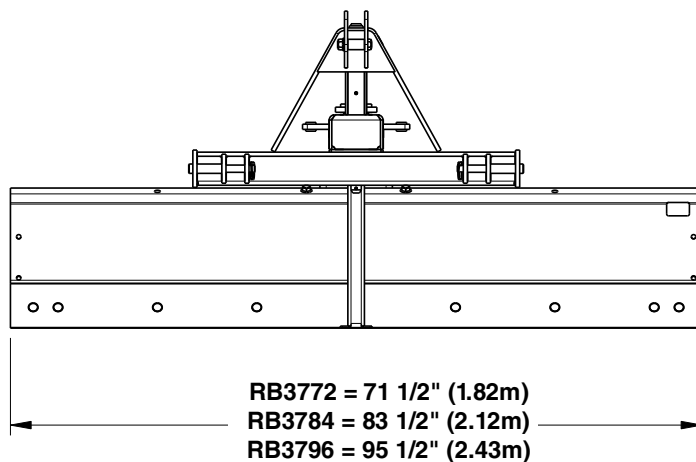


RB37 Series

Model Nos.	RB3772	RB3784	RB3796
Blade Width	71 1/2" (1.82m)	83 1/2" (2.12m)	95 1/2" (2.43m)
Approximate Weight	595 lbs. (269.9 kg)	630 lbs. (285.8 kg)	665 lbs. (301.6 kg)
Horsepower Rating	35-80 hp (26.1 - 59.7 kW)		
Moldboard Height	17" (43.2cm)		
Moldboard Thickness	5/16" (8mm)		
Reinforced Blade	Yes		
Hitch Type	Cat. I & II Combination (Quick Hitch Adaptable)		
Blade Angle	Standard (Manually)	7 Forward positions up to 45° clockwise and counterclockwise 3 Reverse positions up to 30° clockwise and counterclockwise	
	Hydraulically	Any degree up to 45° forward and 30° in reverse.	
Blade Offset	Maximum 26" (66cm) left or right in 15° increments		
Blade Tilt	7 Positions; Maximum 22.5° up and 22.5° down in 7 1/2° increments		
Cutting Edge	1/2" x 6" (12mm x 152mm) Heat treated, Replaceable & Reversible (Double bevel)		
Parking Stand	Folding		
Accessories	Hydraulic Blade Angling, Skid Shoes, and End Plates		



35462