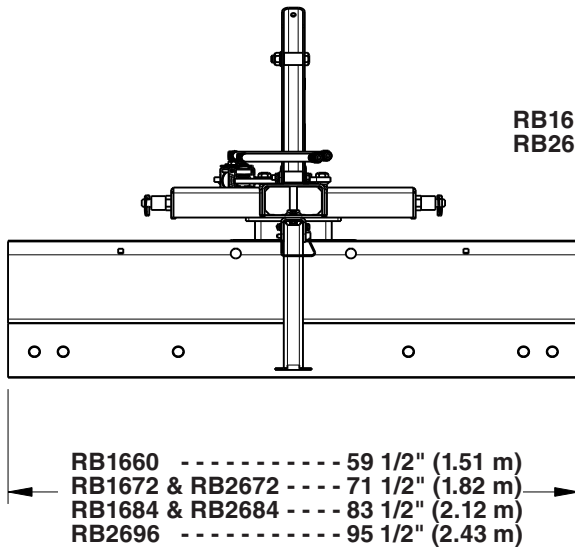
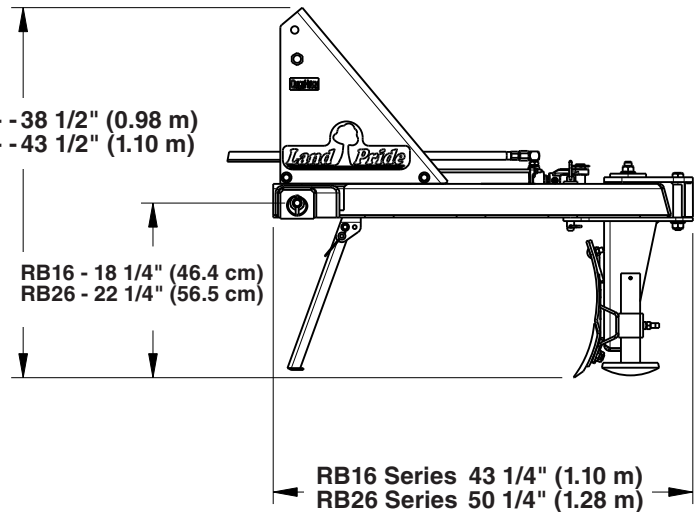


**RB16 & RB26 Series**

Specifications & Capacities						
Series	RB16 Series			RB26 Series		
Model Numbers	RB1660	RB1672	RB1684	RB2672	RB2684	RB2696
Blade Width	60" (1.52 m)	72" (1.83 m)	84" (2.13 m)	72" (1.83 m)	84" (2.13 m)	96" (2.44 m)
Approximate Weight	283 lbs (128.4 kg)	297 lbs (134.7 kg)	319 lbs (144.7 kg)	369 lbs (167.4 kg)	396 lbs (179.6 kg)	425 lbs (192.8 kg)
Horsepower Rating	20-40 hp (14.9-29.8 kw)			25-60 hp (18.6-44.7 kw)		
Moldboard Height	14" (35.6 cm)			17 1/2" (44.5 cm)		
Moldboard Thickness	1/4" (6 mm)			5/16" (8 mm)		
Hitch Type	Cat. I Fits Land Pride Quick Hitch					
Blade Angle	7 Forward positions up to 45° clockwise and counterclockwise 3 Reverse positions up to 30° clockwise and counterclockwise					
Blade Offset	12" (30.5 cm) left or right					
Blade Tilt	5 Positions; maximum 15° up and 15° down in 7 1/2° increments					
Cutting Edge	1/2" x 6" (1.3 cm x 15.2 cm) Heat treated, replaceable & reversible (double bevel)					
Park Stand	Folding					
Accessories	Side plates not available			Side plates		
	Skid Shoes					
	Rake assemblies Available in 60", 72", 84", & 96" (1.52 m, 1.83 m, 2.13 m, & 2.44 m) working widths			Rake assemblies Available in 84" & 96" (2.13 m & 2.44 m) working widths		
	Hydraulic Angling					



RB16 Series -- 38 1/2" (0.98 m)  
 RB26 Series -- 43 1/2" (1.10 m)



33220