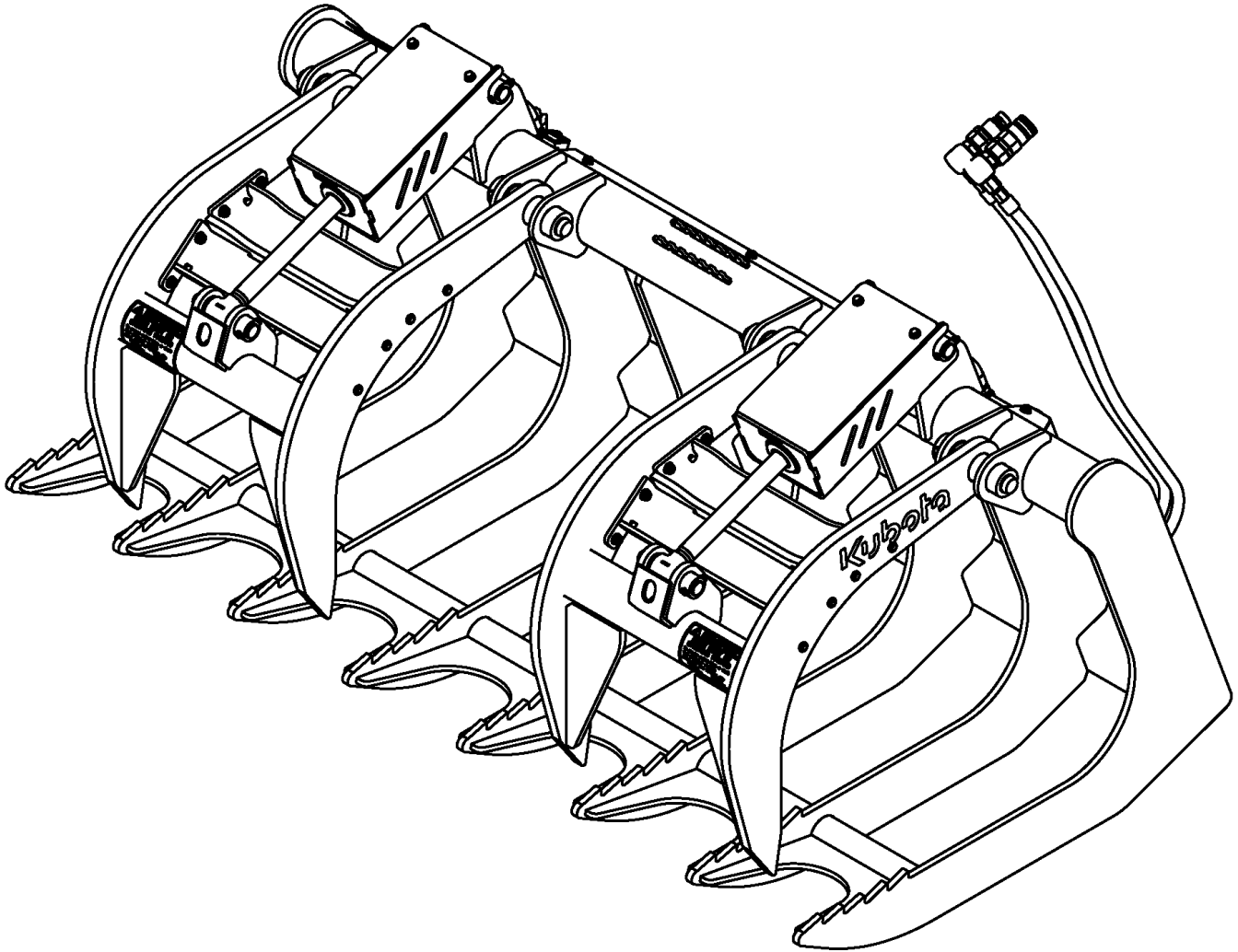


Root Grapple

AP-RG3068, AP-RG3074, & AP-RG3080



39881

380-365PK
Parts Manual

Kubota®



Read the Operator's Manual entirely. When you see this symbol, the subsequent instructions and warnings are serious - follow without exception. Your life and the lives of others depend on it!

© Copyright 2020 Printed 08/13/20

Cover photo may show optional equipment not supplied with standard unit.



Table of Contents

Section 1: Introduction.....	4
Using This Manual.....	4
Manual Replacement Information.....	4
Manual Revisions.....	4
Touch-up Paint.....	4
Hardware Legend.....	5
Replacement Hardware.....	5
Serial Numbers.....	5
Part Number Service Coding.....	5
Section 2: Root Grapple Main Assembly.....	6
Grapple Jaws and Lower Frame.....	6
Hydraulic Components.....	8
Hydraulic Cylinder (850-102C).....	10
Section 3: Decal Placement & Touch-up Paint.....	12
Decals.....	12
Touch-up Paints - Kubota.....	14
Section 4: Root Grapple Options.....	16
Cylinder Shield.....	16
Hose Shield.....	18
Part Number Index.....	20

© Copyright 2020. All rights reserved.

Kubota provides this publication “as is” without warranty of any kind, either expressed or implied. While every precaution has been taken in the preparation of this manual, Kubota assumes no responsibility for errors or omissions. Neither is any liability assumed for damages resulting from the use of the information contained herein. Kubota reserves the right to revise and improve its products as it sees fit. This publication describes the state of this product at the time of its publication, and may not reflect the product in the future. The illustrations in this manual are not intended for safe and proper assembly or disassembly of equipment. The illustrations are intended for ordering parts only.

Kubota is registered trademark.

All other brands and product names are trademarks or registered trademarks of their respective holders.

Printed in the United States of America.



Alphabetized Table of Contents

C	
	Cylinder Shield.....16
D	
	Decals.....12
G	
	Grapple Jaws and Lower Frame.....6
H	
	Hose Shield.....18
	Hydraulic Components.....8
	Hydraulic Cylinder (850-102C).....10
T	
	Touch-up Paints - Kubota.....14

General Information

Using This Manual

This manual is divided into sections. The first section contains General Information. The remaining sections divide the machine into segments (i.e. Frames, Drives, Hydraulics, etc.) which illustrate and list all parts. A Parts Number Index is located at the back of the book.

The Kubota parts in this manual are specially designed for this machine and should be replaced with Kubota parts only.

The information in this manual is current at time of printing. Some parts may change to assure top performance.

Right-hand and left-hand as used in this manual are determined by facing the direction the machine will travel while in use.

Below is an example of two facing pages from a parts manual. Familiarize yourself with the type of information contained on these pages.

Manual Replacement Information

Replacement manuals are available. Refer to our website at www.landpride.com for additional information. Our website continues to provide the most up-to-date manuals available.

Touch-up Paint

Repaint parts where paint is worn or scratched to prevent rust. Aerosol cans and touch-up bottles with brush applicator are available through your local dealer. Also available are quart and gallon size paints. Add QT or GL to end of the Aerosol P/N.

Kubota color descriptions and part numbers are listed on the "Kubota Touch-up Paints" page in the "Decals" section of this book.



General Information

Hardware Legend

AR	As Required
BLADE	Blade Bolt
C	Cap Screw
CP	Cotter Pin
CPHSSS	Cup Point Hex Socket Set Screw
CPSHSS	Cup Point Square Head Set Screw
CPSQHSS	Cup Point Square Head Set Screw
CRFCHMS3	Cross Recess Flat Countersunk Head Machine Screw
CRPHMS	Cross Recess Pan Head Machine Screw
CRPHTFS	Cross Recess Pan Head Thread Forming
CRRHMS	Cross Recess Round Head Machine Screw
CRTHMS	Cross Recess Truss Head Machine Screw
CSNB	Countersunk Square Neck Bolt
FHMS	Flat Head Machine Screw
FTC	Full Thread Cap Screw
H	Hex Nut
HCLN	Hex Center Lock Nut
HFLCS	Hex Flange Lock Cap Screw
HFS	Hex Flange Screw
HFSLN	Hex Flange Serrated Lock Nut
HFSS	Hex Flange Serrated Screw
HHCS	Hex Head Cap Screw or Metric Bolt
HSBHCS	Hex Socket Button Head Cap Screw
HSFCHCS	Hex Socket Flat Countersunk Head Cap Screw
HSHCS	Hex Socket Head Cap Screw
HSSS	Hex Socket Head Screw
HTLN	Hex Top Lock Nut
HWHCS	Hex Washer Head Cap Screw

HWHMS	Hex Washer Head Machine Screw
HXBHCS	Hex Socket Button Head Cap Screw
J	Hex Jam Nut
JIC	37 Degree Tapered Thread
L	Helical Spring Lock Washer
LUG	Lug Bolt
NFC	National Fine Cap Screw
NPSM	National Pipe Straight Mechanical
NPTF	National Pipe Taper Fuel
P	Wide Plain Washer
PHMS	Pan Head Machine Screw
PLOW	Plow Bolt
RHMS	Round Head Machine Screw
RHSNB	Round Head Square Neck Bolt
SCREW LEVELING	Leveling Screw
SCREW THUMB	Thumb Screw
SCREW WELD	Weld Screw
SFCHMS	Slotted Flat Countersunk Head Machine Screw
SFHMS	Slotted Fillister Head Machine Screw
SP	Special
SP SCREW	Special Screw
SQHSS	Square Head Set Screw
SRHMS	Slotted Round Head Machine Screw
SSS	Socket Set Screw
STCS	Self Tapping Cap Screw
STHMS	Slotted Truss Head Machine Screw
WHEEL	Wheel Studs and Hub Long Bolts
WING	Wing Bolt

Replacement Hardware

The **Hardware Legend** above lists hardware abbreviations used in the parts list. All bolts and nuts are Grade 5 unless otherwise noted. The use of improper grades of hardware can result in personal injury, damage to equipment, or loss of property.

Part Number Service Coding

Within the parts list some part numbers are coded for revisions and interchangeability. See notations in revision column.

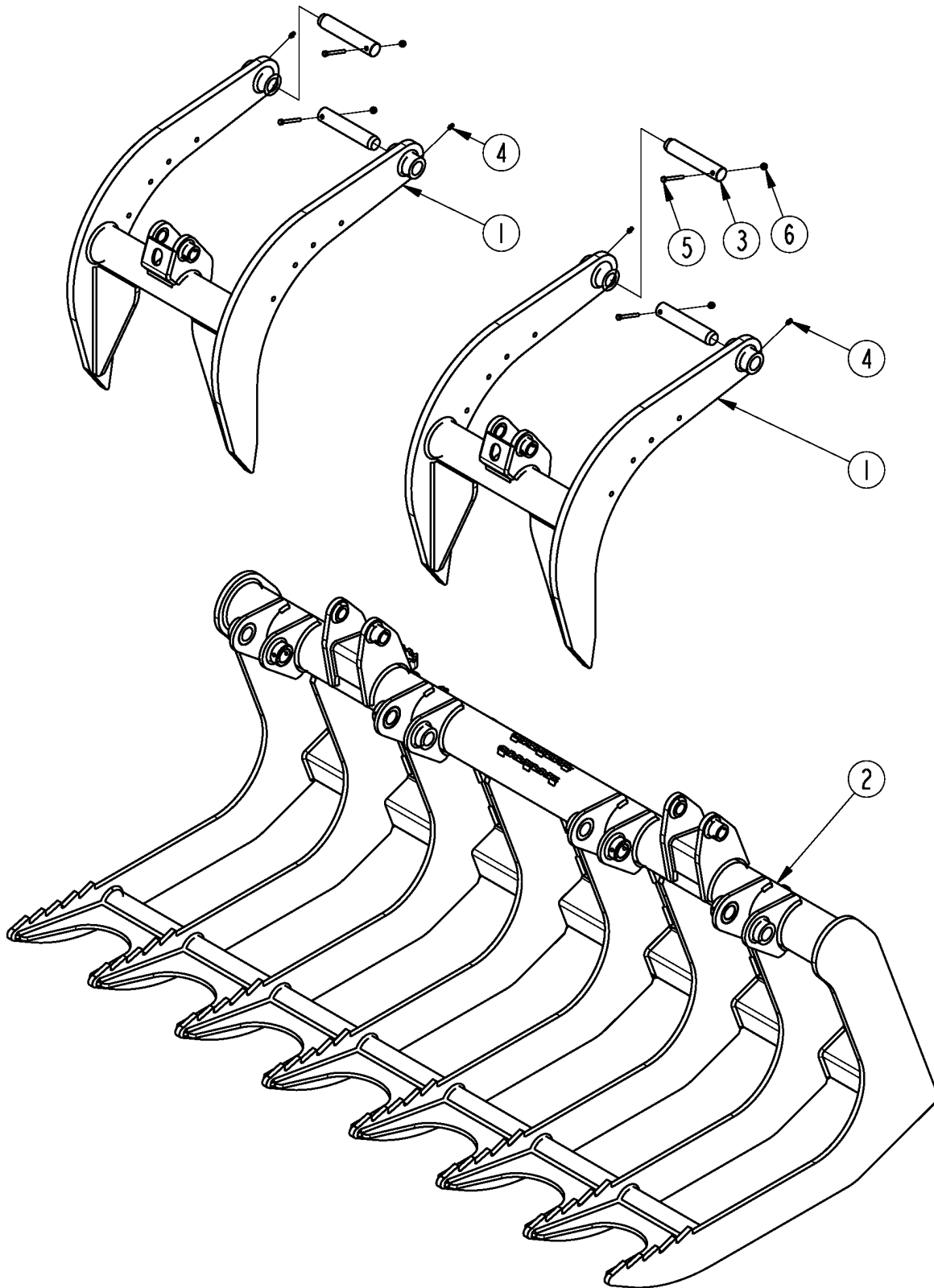
Serial Numbers

Always use the serial and model number when ordering parts. Refer to the Operator's Manual for serial number plate location.

- (S/N 20001+) Includes serial numbers 20001 and above (to the latest number)
- (S/N 10001 to 20000) Includes serial numbers between and including 10001 and 20000
- (S/N 10000-) Includes serial numbers 10000 and below (to the earliest number)

Grapple Jaws and Lower Frame

Applies to AP-RG3068, AP-RG3074, AP-RG3080



39882

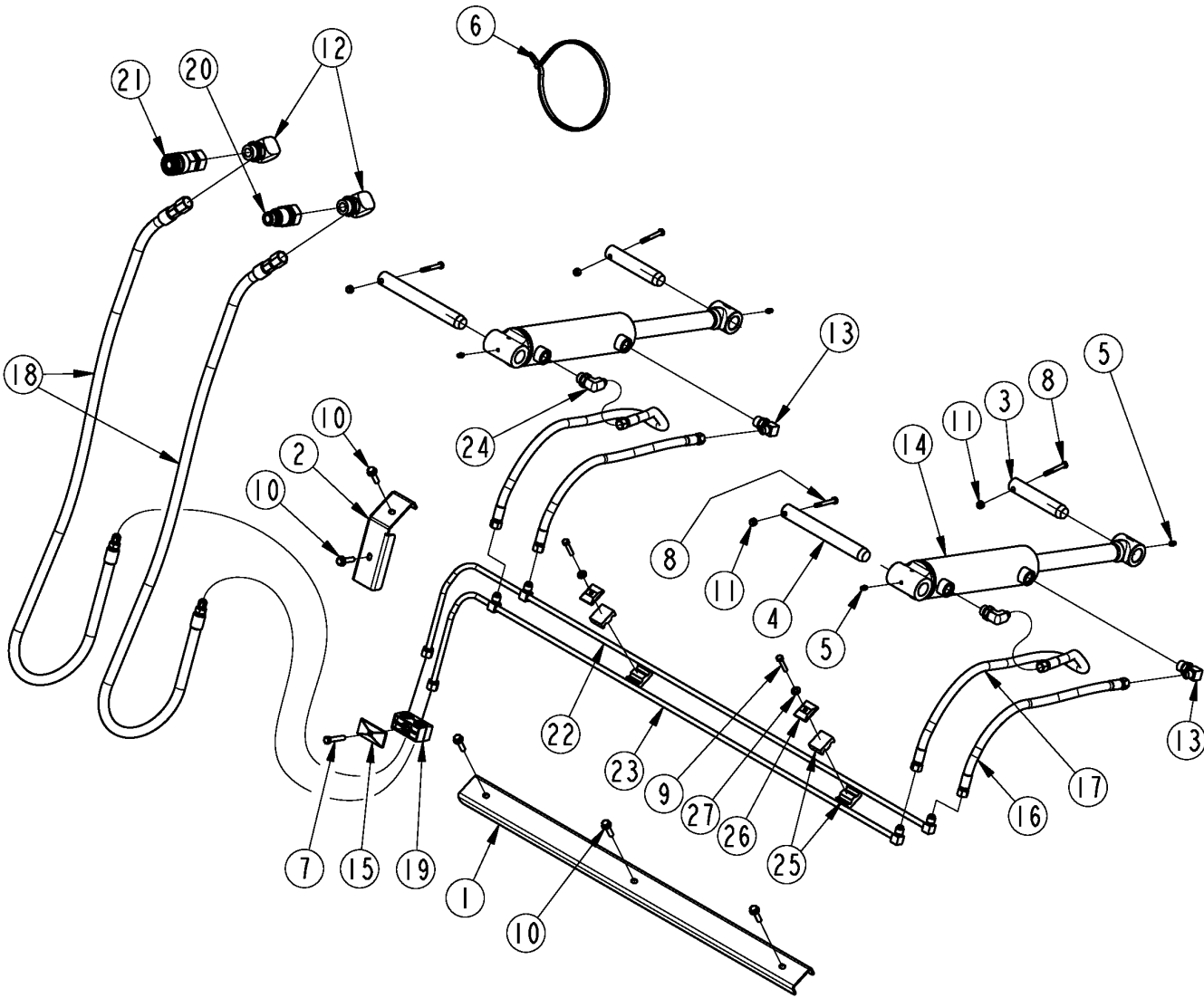
Grapple Jaws and Lower Frame

Applies to AP-RG3068, AP-RG3074, AP-RG3080

Ref	Part No.	Part Description	Comments	Revision
	Dwg 39882	Drawing Image Number		
1.	380-245H	WMT, HD GRAPPLE JAW		
2.	380-258H	WMT, 68" HD ROOT GRAPPLE		
2.	380-257H	WMT, 74" HD ROOT GRAPPLE		
3.	380-256H	WMT, 80" HD ROOT GRAPPLE		
3.	380-349D	PIVOT PIN 1.25X6.50		
4.	800-001C	GREASE ZERK STRAIGHT 1/4-28		
5.	802-097C	HHCS 1/4-20X2 1/2 GR5		
6.	803-255C	NUT HEX NYLOCK 1/4-20		

Hydraulic Components

Applies to AP-RG3068, AP-RG3074, AP-RG3080



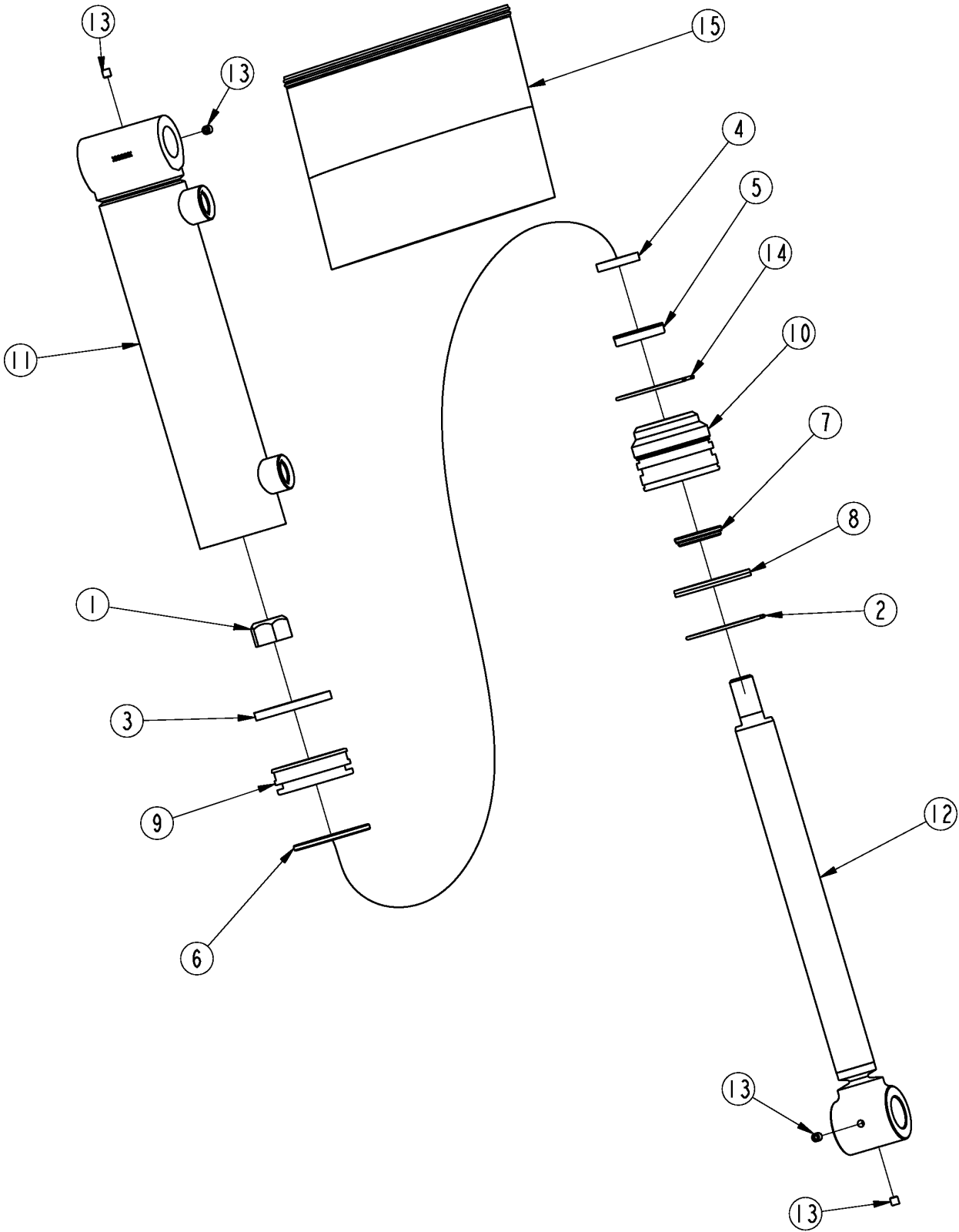
39877

Hydraulic Components**Applies to AP-RG3068, AP-RG3074, AP-RG3080**

Ref	Part No.	Part Description	Comments	Revision
	Dwg 39877	Drawing Image Number		
1.	380-347D	STRAIGHT COVER, HYD LINE		
2.	380-348D	ELBOW COVER, HYD LINE		
3.	380-350D	PIVOT PIN 1.0X5.25		
4.	380-351D	PIVOT PIN 1.0X8.25		
5.	800-001C	GREASE ZERK STRAIGHT 1/4-28		
6.	N/A	CABLE TIE .31X21.5 6DIA 120LB	Not available S/N 1024298K+	
7.	802-013C	HHCS 5/16-18X1 3/4 GR5	S/N _____+	
8.	802-152C	HHCS 1/4-20X2 GR5		
9.	802-224C	HHCS 1/4-20X1 1/4 GR5	S/N _____-	
9.	802-167C	HHCS 1/4-20X1 1/2 GR5	S/N _____+ (Requires 804-007C)	
10.	802-442C	HFSS 5/16-18X1 1/4		
11.	803-255C	NUT HEX NYLOCK 1/4-20		
12.	811-091C	EL 3/4MJIC 1 1/16MORB		
13.	811-171C	EL 3/4MORB 9/16MJIC		
14.	850-102C	CYL 2.5X8X1.25 ROD WLD		
15.	851-245C	STAUFF COVER PLATE GROUP 3D	S/N _____+	
16.	851-756C	HH1/4R2 020 9/16FJIC		
17.	851-757C	HH1/4R2 030 9/16FJIC		
18.	851-762C	HH3/8R2 056 3/4FJIC 9/16MJIC		
19.	851-859C	STAUFF CLAMP BODY 3D 1.0 HOLE	S/N _____+	
20.	851-947C	CUP 1 1/16FORB MALE QUICK CPLR		
21.	851-948C	CUP 1 1/16FORB FML QUICK CPLR		
22.	861-004C	HYDRAULIC HARD LINE 47.75	68" & 74"	
22.	851-753C	HYDRAULIC HARD LINE 49.00	80"	
23.	861-005C	HYDRAULIC HARD LINE 44.50	68" & 74"	
23.	851-754C	HYDRAULIC HARD LINE 45.75	80"	
24.	861-300C	OREL 3/32 9/16MJIC 3/4MORB	S/N 1038061K+	
24.	841-284C	OREL 1/16 9/16MJIC 3/4MORB	S/N 1038060K-	
25.	891-798C	3/8 TWIN HOSE CLAMP	S/N 1024298K+	
26.	891-800C	TWIN HOSE CLAMP TOP COVER	S/N 1024298K+	
27.	804-007C	WASHER FLAT 1/4 SAE PLT	S/N _____+	

Hydraulic Cylinder (850-102C)

Applies to AP-RG3068, AP-RG3074, AP-RG3080



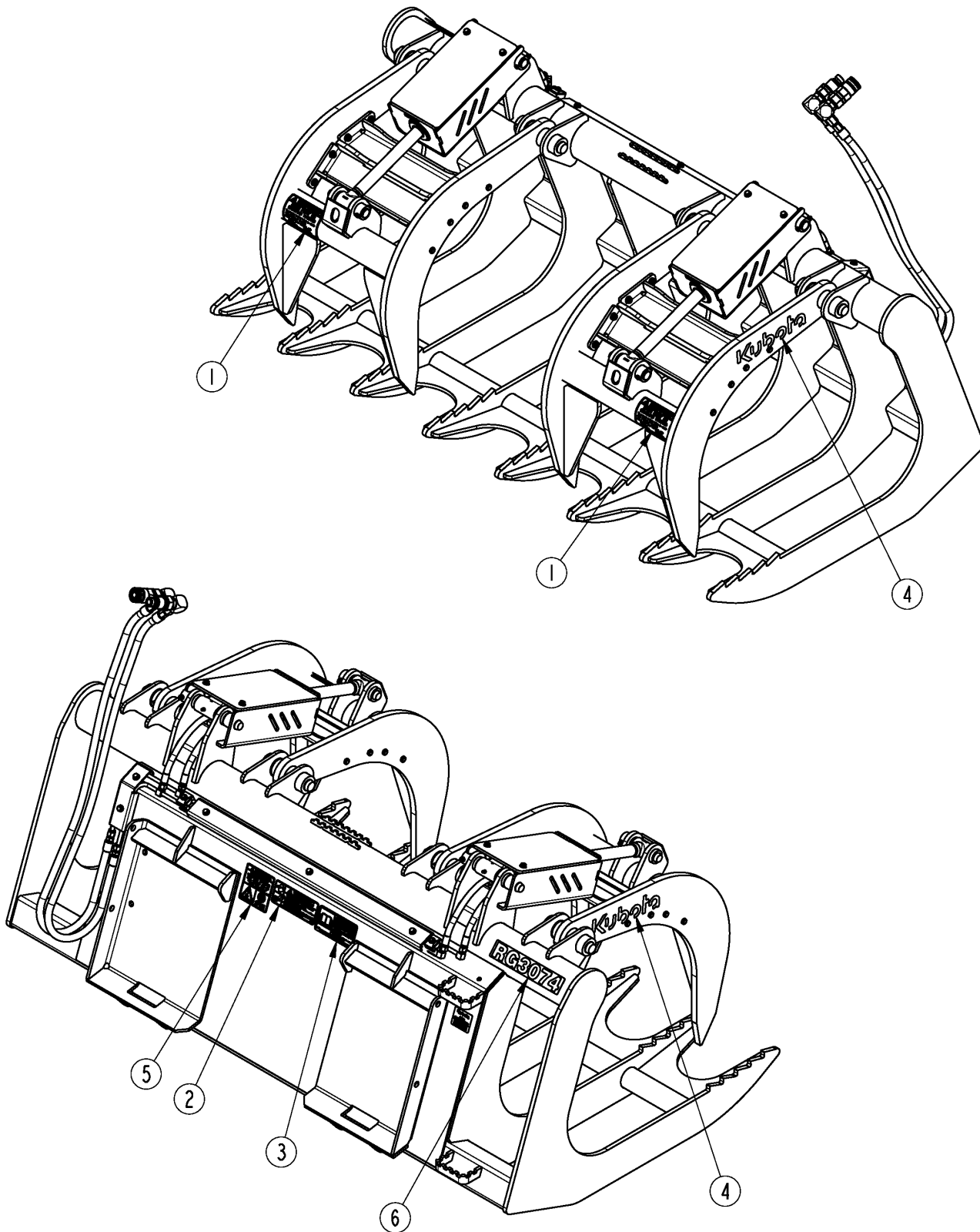
39622

Hydraulic Cylinder (850-102C)**Applies to AP-RG3068, AP-RG3074, AP-RG3080**

Ref	Part No.	Part Description	Comments	Revision
	Dwg 39622 850-102C	Image No. CYL 2.5X8X1.25 ROD WLD *		
1.	130556	MON PISTON NUT		
2.	138098	MON RETAINING RING EXTRNL 2.50		
3.	N/A	MON WEAR RING 2.50-2.38-0.250	Availabel only in Kit #15	
4.	N/A	MON WEAR RING 1.37-1.25-0.250	Availabel only in Kit #15	
5.	N/A	MON SEAL ZURCON U-CUP RU9 1.25	Availabel only in Kit #15	
6.	N/A	MON SEAL ZURCON GLYD RING 2.5	Availabel only in Kit #15	
7.	N/A	MON SEAL WIPER 1.25 SNAP IN DA	Availabel only in Kit #15	
8.	N/A	MON SEAL DUAL 2.50 Z20 PU	Availabel only in Kit #15	
9.	258818	MON PISTON2.50-.750-TSS-ISO-WR		
10.	258872	MON CYL HEAD 2.50-1.25-RR-TSS		
11.	498649	MON TUBE WELDT 1.25-8.00		
12.	498650	MON ROD WELDT 1.25-8.00		
13.	801-045C	SCREW SET 1/4-28X1/4 KNL CUP		
14.	M138011	MON RETAINING RING INTRNL 2.50		
15.	850-191C	MON SEAL KIT 649199	Includes Items 3 through 8	

Decals

Applies to AP-RG3068, AP-RG3074, AP-RG3080



39883

Decals

Applies to AP-RG3068, AP-RG3074, AP-RG3080

Ref	Part No.	Part Description	Comments	Revision
	Dwg 39883	Drawing Image Number		
1.	818-045C	DECAL WARNING PINCH PT/CRUSH		
2.	838-094C	DECAL WARNING HYD PRESS LONG		
3.	838-293C	DECAL WARNING READ MANUAL		
4.	844-221C	DECAL, 10" KUBOTA BLOCK		
5.	858-237C	DECAL, DIG SAFE		
6.	858-602C	DECAL RG3068 WHITE		
6.	858-601C	DECAL RG3074 WHITE		
6.	858-600C	DECAL RG3080 WHITE		

Touch-up Paints - Kubota

Applies to AP-RG3068, AP-RG3074, AP-RG3080

No diagram associated with this Parts List

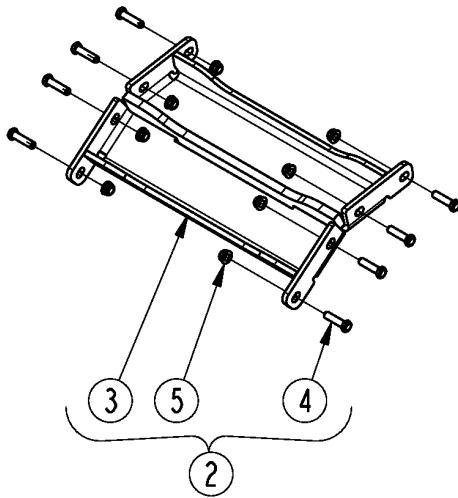
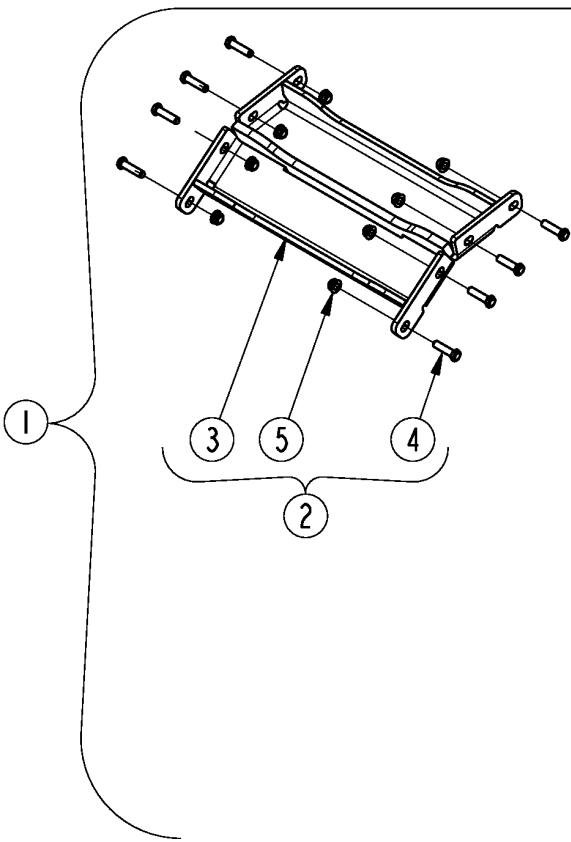
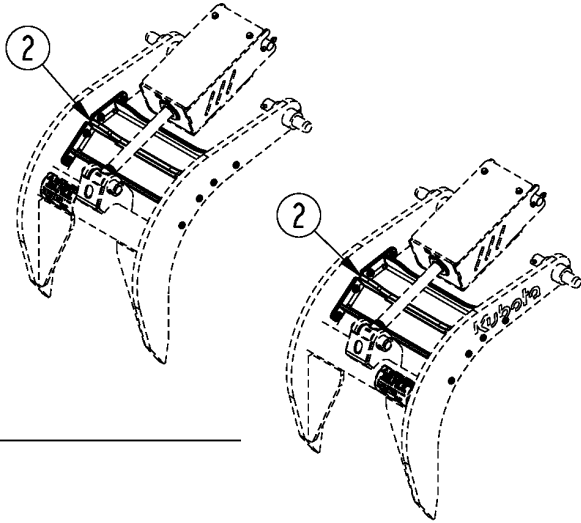
Touch-up Paints - Kubota

Applies to AP-RG3068, AP-RG3074, AP-RG3080

Ref	Part No.	Part Description	Comments	Revision
1.	821-070C	GLOSS BLACK SPRAY CAN	Spray can	
2.	821-070CTU	GLOSS BLACK TOUCH-UP 5OZ	Touch-up bottle with brush	
3.	821-070CQT	GLOSS BLACK QUART	Quart can	
4.	821-070CGL	GLOSS BLACK GALLON	Gallon Can	
5.	821-006C	ORANGE SPRAY CAN	Spray can	
6.	821-066CTU	ORANGE TOUCH-UP 5OZ	Touch-up bottle with brush	
7.	821-066CQT	ORANGE QUART	Quart can	
8.	821-066CGL	ORANGE GALLON	Gallon Can	
9.	821-085C	PAINT KBT DARK GRAY SPRAY CAN	Spray can	
10.	821-085CTU	PAINT KBT DARK GRAY TCH-UP 4OZ	Touch-up bottle with brush	

Cylinder Shield

Applies to AP-RG3068, AP-RG3074, AP-RG3080



39879

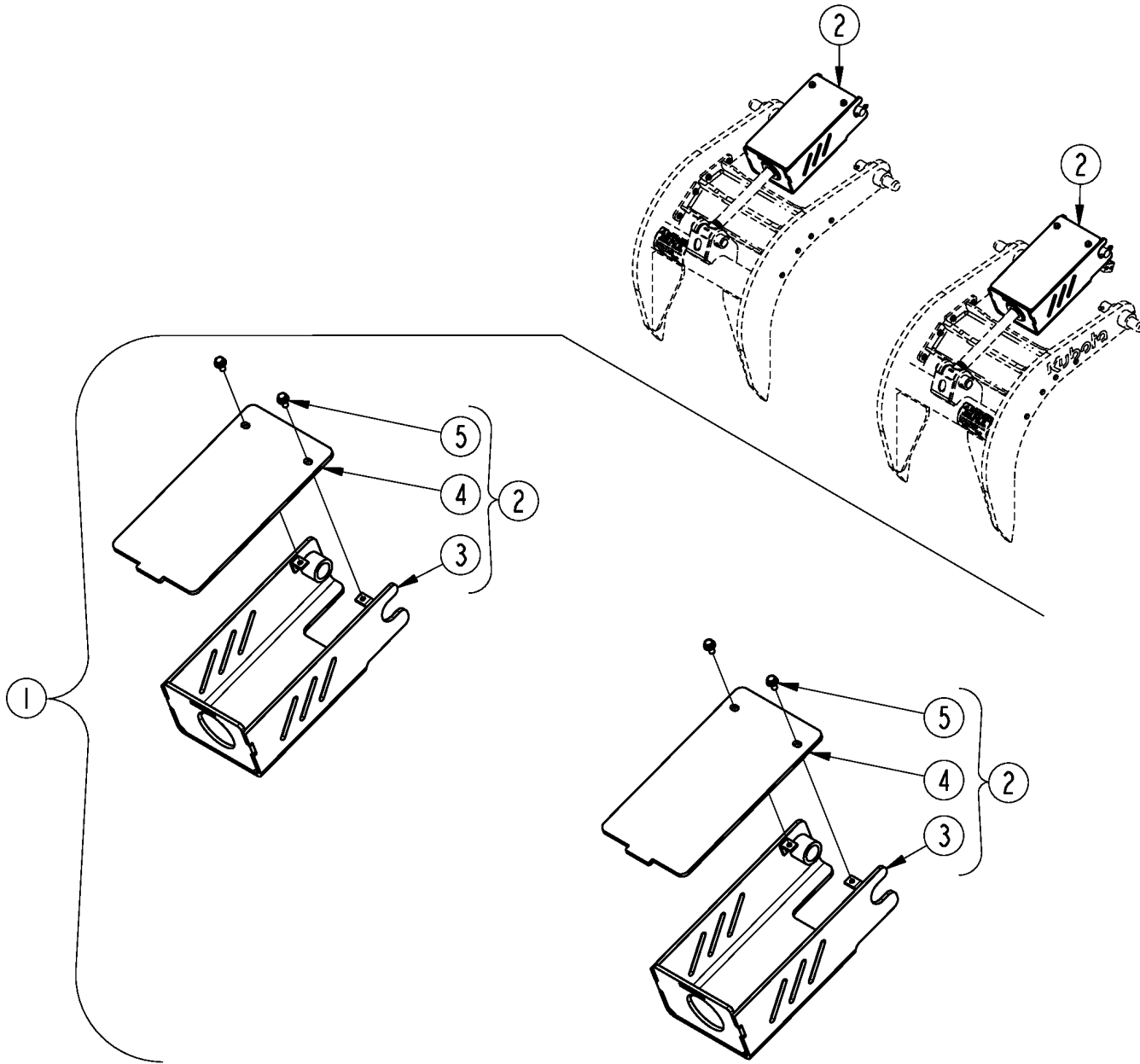
Cylinder Shield

Applies to AP-RG3068, AP-RG3074, AP-RG3080

Ref	Part No.	Part Description	Comments	Revision
	dwg 39879	Drawing Image Number		
1.	380-278A	ASSY, CYLINDER SHIELDS		
2.	380-277S	ASSY, CYLINDER SHIELD		
3.	380-276H	WMT, CYLINDER SHIELD		
4.	802-022C	HHCS 3/8-16X1 1/2 GR5		
5.	803-209C	NUT FLANGE LOCK 3/8-16 PLT		

Hose Shield

Applies to AP-RG3068, AP-RG3074, AP-RG3080



39878

Hose Shield

Applies to AP-RG3068, AP-RG3074, AP-RG3080

Ref	Part No.	Part Description	Comments	Revision
	dwg 39878	Drawing Image Number		
1.	380-248A	ASSY, HOSE SHIELDS		
2.	380-246S	ASY, HOSE SHIELD		
3.	380-247H	WMT, HOSE SHIELD		
4.	380-346D	COVER, HOSE SHIELD		
5.	802-488C	HFSS 5/16-18X5/8 GR5		



Part Number Index

The Part Number Index is a numeric index of all part numbers included in this manual. The index shows what page(s) the part is used on.

Part Number	Page	Part Number	Page
130556	11	891-798C	9
138098	11	891-800C	9
258818	11	Dwg 39622	11
258872	11	Dwg 39877	9
380-245H	7	dwg 39878	19
380-246S	19	dwg 39879	17
380-247H	19	Dwg 39882	7
380-248A	19	Dwg 39883	13
380-256H	7	M138011	11
380-257H	7	N/A	9, 11
380-258H	7		
380-276H	17		
380-277S	17		
380-278A	17		
380-346D	19		
380-347D	9		
380-348D	9		
380-349D	7		
380-350D	9		
380-351D	9		
498649	11		
498650	11		
800-001C	7, 9		
801-045C	11		
802-013C	9		
802-022C	17		
802-097C	7		
802-152C	9		
802-167C	9		
802-224C	9		
802-442C	9		
802-488C	19		
803-209C	17		
803-255C	7, 9		
804-007C	9		
811-091C	9		
811-171C	9		
818-045C	13		
821-006C	15		
821-066CGL	15		
821-066CQT	15		
821-066CTU	15		
821-070C	15		
821-070CGL	15		
821-070CQT	15		
821-070CTU	15		
821-085C	15		
821-085CTU	15		
838-094C	13		
838-293C	13		
841-284C	9		
844-221C	13		
850-102C	9, 11		
850-191C	11		
851-245C	9		
851-753C	9		
851-754C	9		
851-756C	9		
851-757C	9		
851-762C	9		
851-859C	9		
851-947C	9		
851-948C	9		
858-237C	13		
858-600C	13		
858-601C	13		
858-602C	13		
861-004C	9		
861-005C	9		
861-300C	9		

This Page Intentionally Left Blank



KUBOTA TRACTOR CORPORATION

1000 Kubota Drive, Grapevine, TX 76051

Telephone: (817) 756-1171

Western Division: 1175 S. Guild Ave., Lodi, CA 95240
Telephone: (209) 334-9910

Central Division: 14855 FAA Blvd., Fort Worth, TX 76155
Telephone: (817) 571-0900

Northern Division: 6300 at One Kubota Way, Groveport, OH 43125
Telephone: (614) 835-1100

Southeast Division: 1025 Northbrook Parkway, Suwanee, GA 30024
Telephone: (770) 995-8855

www.kubota.com
