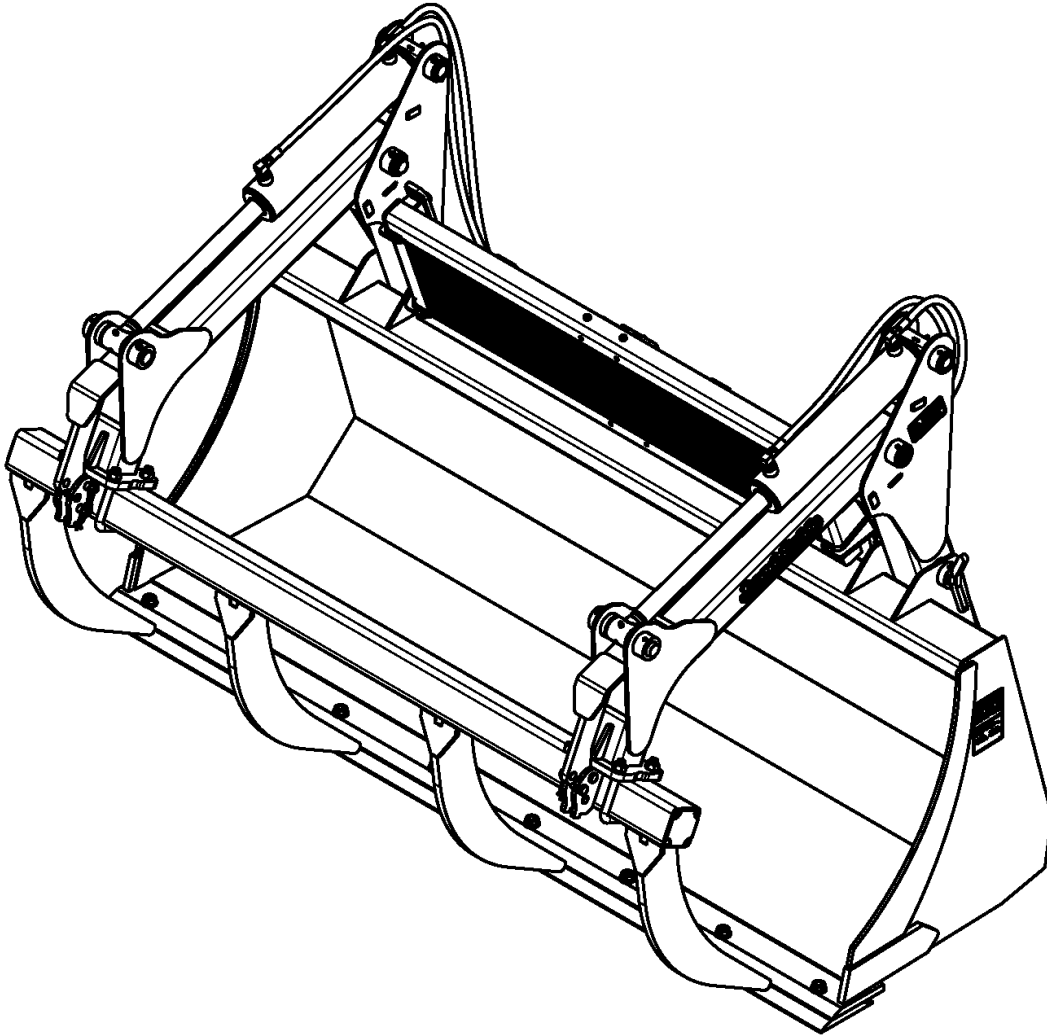


Grapple Bucket

GB2084



73614

380-328P
Parts Manual



Read the Operator's Manual entirely. When you see this symbol, the subsequent instructions and warnings are serious - follow without exception. Your life and the lives of others depend on it!

© Copyright 2020 Printed 02/13/20

Cover photo may show optional equipment not supplied with standard unit.





Table of Contents

Section 1: Introduction.....	4
Using This Manual.....	4
Manual Replacement Information.....	4
Manual Revisions.....	4
Touch-up Paint.....	4
Hardware Legend.....	5
Replacement Hardware.....	5
Serial Numbers.....	5
Part Number Service Coding.....	5
Section 2: Main Assembly.....	6
Bucket.....	6
Grapple Frame Components.....	8
Grapple Hydraulic Components.....	10
Hydraulic Cylinder (850-070C).....	12
Section 3: Options & Accessories.....	14
Counterbalance Valve.....	14
Cutting Edge.....	16
Section 4: Decals.....	18
Decals.....	18
Touch-up Paints - Kubota.....	20
Part Number Index.....	22

© Copyright 2020. All rights reserved.

Land Pride provides this publication “as is” without warranty of any kind, either expressed or implied. While every precaution has been taken in the preparation of this manual, Land Pride assumes no responsibility for errors or omissions. Neither is any liability assumed for damages resulting from the use of the information contained herein. Land Pride reserves the right to revise and improve its products as it sees fit. This publication describes the state of this product at the time of its publication, and may not reflect the product in the future. The illustrations in this manual are not intended for safe and proper assembly or disassembly of equipment. The illustrations are intended for ordering parts only.

Land Pride is registered trademark.

All other brands and product names are trademarks or registered trademarks of their respective holders.

Printed in the United States of America.



Alphabetized Table of Contents

B	
Bucket.....	6
C	
Counterbalance Valve.....	14
Cutting Edge.....	16
D	
Decals.....	18
G	
Grapple Frame Components.....	8
Grapple Hydraulic Components.....	10
H	
Hydraulic Cylinder (850-070C).....	12
T	
Touch-up Paints - Kubota.....	20

General Information

Using This Manual

This manual is divided into sections. The first section contains General Information. The remaining sections divide the machine into segments (i.e. Frames, Drives, Hydraulics, etc.) which illustrate and list all parts. A Parts Number Index is located at the back of the book.

The Land Pride parts in this manual are specially designed for this machine and should be replaced with Land Pride parts only.

The information in this manual is current at time of printing. Some parts may change to assure top performance.

Right-hand and left-hand as used in this manual are determined by facing the direction the machine will travel while in use.

Below is an example of two facing pages from a parts manual. Familiarize yourself with the type of information contained on these pages.

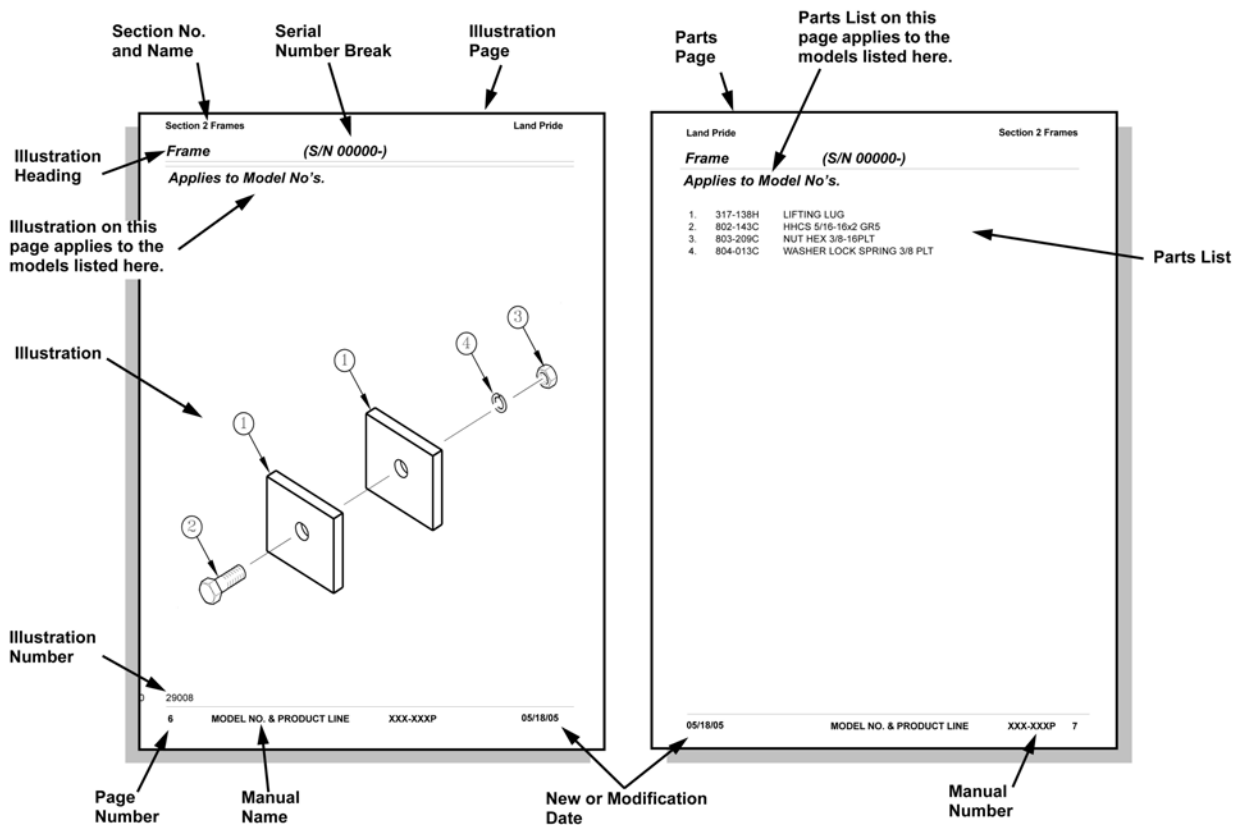
Manual Replacement Information

Replacement manuals are available. Refer to our website at www.landpride.com or e-mail us at lit@landpride.com for additional information. Our website continues to provide the most up-to-date manuals available.

Touch-up Paint

Repaint parts where paint is worn or scratched to prevent rust. Aerosol cans and touch-up bottles with brush applicator are available through your local dealer. Also available are quart and gallon size paints. Add QT or GL to end of the Aerosol P/N.

Land Pride color descriptions and part numbers are listed on the "Land Pride Touch-up Paints" page in the "Decals" section of this book. Color options vary by product.



General Information

Hardware Legend

AR	As Required
BLADE	Blade Bolt
C	Cap Screw
CP	Cotter Pin
CPHSSS	Cup Point Hex Socket Set Screw
CPSHSS	Cup Point Square Head Set Screw
CPSQHSS	Cup Point Square Head Set Screw
CRFCHMS3	Cross Recess Flat Countersunk Head Machine Screw
CRPHMS	Cross Recess Pan Head Machine Screw
CRPHTF	Cross Recess Pan Head Thread Forming
CRRHMS	Cross Recess Round Head Machine Screw
CRTHMS	Cross Recess Truss Head Machine Screw
CSNB	Countersunk Square Neck Bolt
FHMS	Flat Head Machine Screw
FTC	Full Thread Cap Screw
H	Hex Nut
HCLN	Hex Center Lock Nut
HFLCS	Hex Flange Lock Cap Screw
HFS	Hex Flange Screw
HFSLN	Hex Flange Serrated Lock Nut
HFSS	Hex Flange Serrated Screw
HHCS	Hex Head Cap Screw or Metric Bolt
HSBHCS	Hex Socket Button Head Cap Screw
HSFCHCS	Hex Socket Flat Countersunk Head Cap Screw
HSHCS	Hex Socket Head Cap Screw
HSSS	Hex Socket Head Screw
HTLN	Hex Top Lock Nut
HWHCS	Hex Washer Head Cap Screw

HWHMS	Hex Washer Head Machine Screw
HXBHCS	Hex Socket Button Head Cap Screw
J	Hex Jam Nut
JIC	37 Degree Tapered Thread
L	Helical Spring Lock Washer
LUG	Lug Bolt
NFC	National Fine Cap Screw
NPSM	National Pipe Straight Mechanical
NPTF	National Pipe Taper Fuel
P	Wide Plain Washer
PHMS	Pan Head Machine Screw
PLOW	Plow Bolt
RHMS	Round Head Machine Screw
RHSNB	Round Head Square Neck Bolt
SCREW LEVELING	Leveling Screw
SCREW THUMB	Thumb Screw
SCREW WELD	Weld Screw
SFCHMS	Slotted Flat Countersunk Head Machine Screw
SFHMS	Slotted Fillister Head Machine Screw
SP	Special
SP SCREW	Special Screw
SQHSS	Square Head Set Screw
SRHMS	Slotted Round Head Machine Screw
SSS	Socket Set Screw
STCS	Self Tapping Cap Screw
STHMS	Slotted Truss Head Machine Screw
WHEEL	Wheel Studs and Hub Long Bolts
WING	Wing Bolt

Replacement Hardware

The **Hardware Legend** above lists hardware abbreviations used in the parts list. All bolts and nuts are Grade 5 unless otherwise noted. The use of improper grades of hardware can result in personal injury, damage to equipment, or loss of property.

Colored Replacement Parts

Land Pride offers replacement parts in factory standard colors and also on select models in Green, Orange, Red and Blue. Because of the variety of colors available, special attention must be given to the part number to prevent ordering the wrong replacement part.

A suffix number corresponding to one of the colors below must be added at the end of Land Pride's part number when ordering a replacement part with that color.

81 Green 83 Red
82 Orange 84 Blue

For example, if you are ordering a replacement part with part number 555-555C and the part you need is red, then add the suffix 83 to the end of the number to make the part number read 555-555C83. Parts ordered without a suffix number will be supplied in factory standard colors.

Black Replacement Parts

Some parts are factory standard black and some must be special ordered black. If your part is special ordered black, a second part number with the additional suffix number 85 on the end will be available. In this situation you must order that part with the suffix number for it to be black. Parts that are factory standard black will not have the suffix number.

Part Number Service Coding

Within the parts list some part numbers are coded for revisions and interchangeability. See notations in revision column.

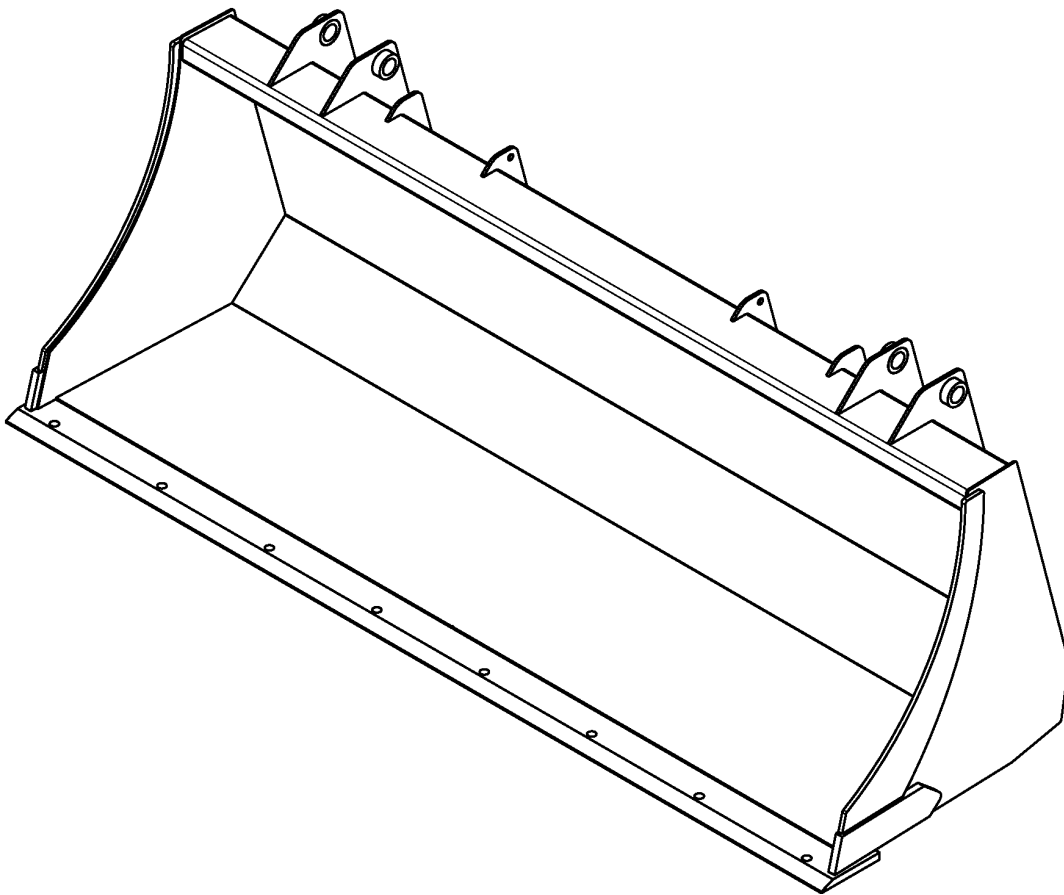
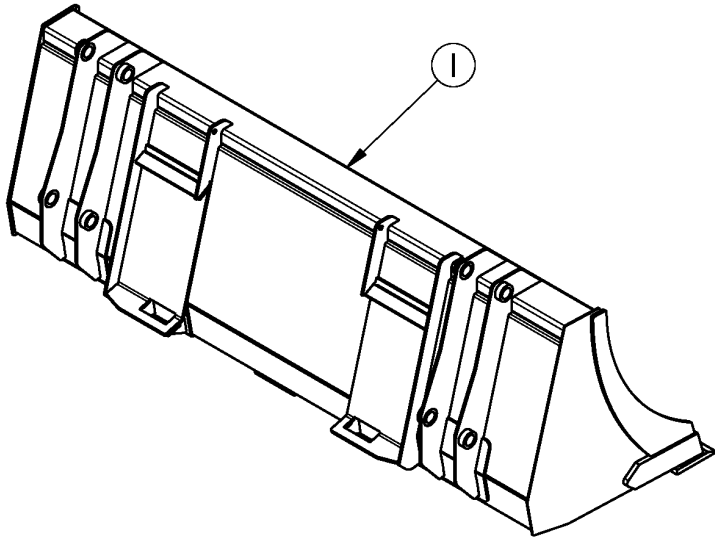
Serial Numbers

Always use the serial and model number when ordering parts. Refer to the Operator's Manual for serial number plate location.

- (S/N 20001+) Includes serial numbers 20001 and above (to the latest number)
- (S/N 10001 to 20000) Includes serial numbers between and including 10001 and 20000
- (S/N 10000-) Includes serial numbers 10000 and below (to the earliest number)

Bucket

Applies to GB2084



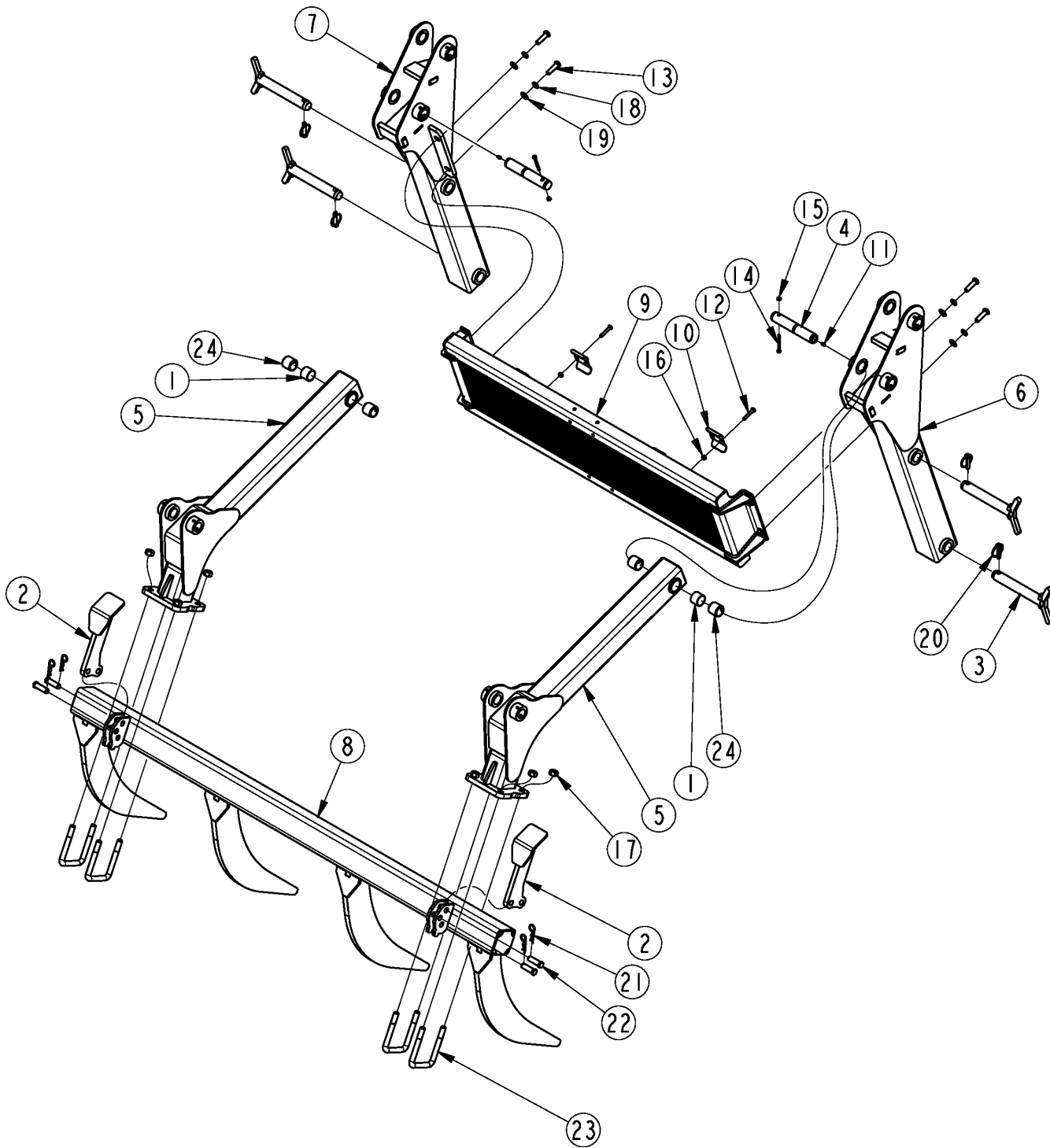
73782

Bucket**Applies to GB2084**

Ref	Part No.	Part Description	Comments	Revision
	Dwg 73782	Image No.		
1.	380-317H	84" BUCKET, UNIVERSAL HITCH	Black	
1.	380-317H82	84" BUCKET, UNIVERSAL HTCH ORG	Orange	

Grapple Frame Components

Applies to GB2084



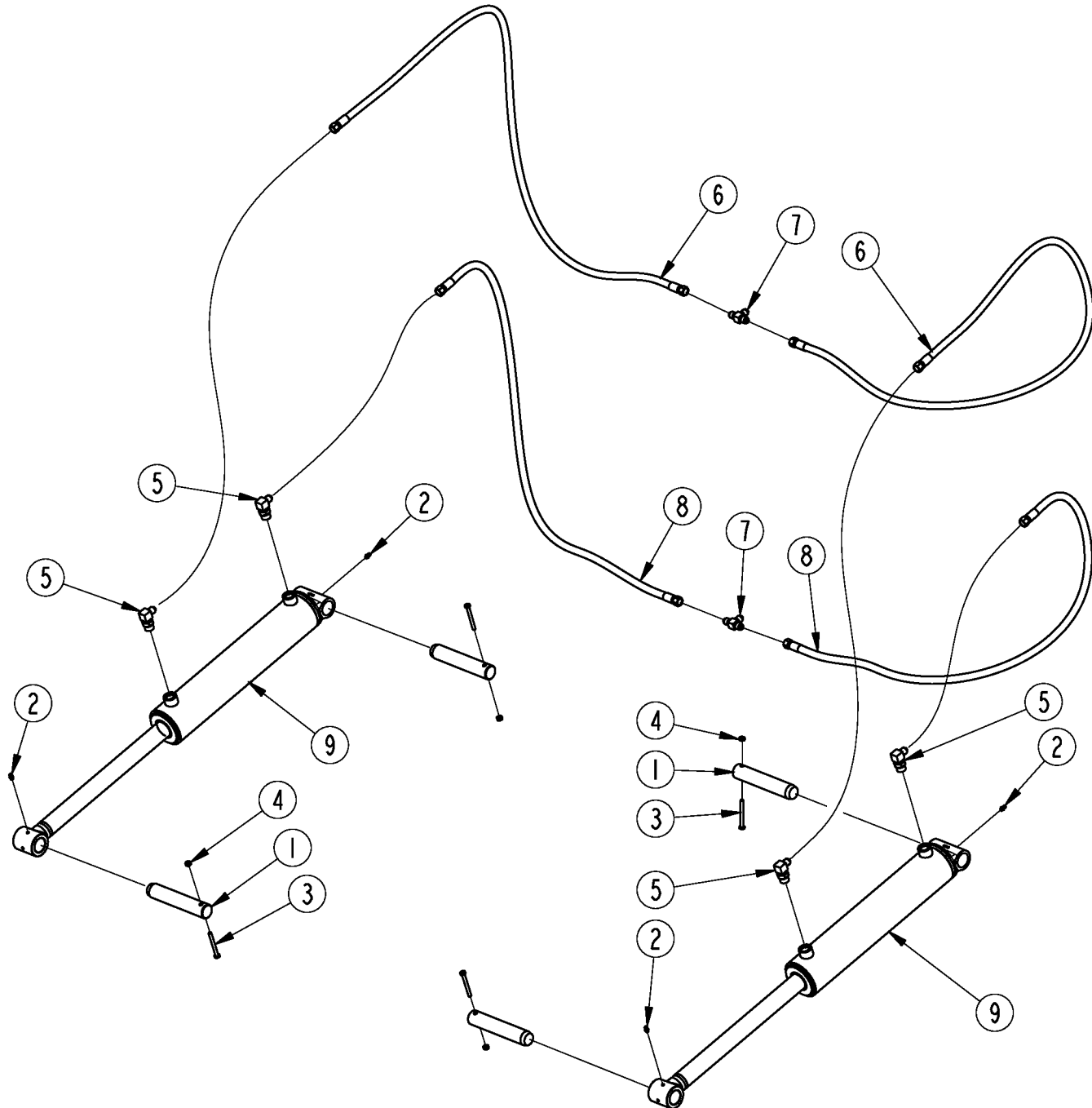
73783

Grapple Frame Components**Applies to GB2084**

Ref	Part No.	Part Description	Comments	Revision
	Dwg 73783	Image No.		
1.	330-147D	SPACER 1.50ODX1.33IDX1.13		
2.	380-178H85	WMT, PARK STAND BLACK	Black	
2.	380-178H82	WMT, PARK STAND ORANGE	Orange	
3.	380-181H	WMT, MNT PIN		
4.	380-303D	PIVOT PIN, 1.25X7.31		
5.	380-321H	WMT, GRAPPLE ARM	Black	
5.	380-321H82	WMT, GRAPPLE ARM, ORANGE	Orange	
6.	380-322H	WMT, LH GRAPPLE TOWER	Black	
6.	380-322H82	WMT, LH GRAPPLE TOWER, ORANGE	Orange	
7.	380-323H	WMT, RH GRAPPLE TOWER	Black	
7.	380-323H82	WMT, RH GRAPPLE TOWER, ORANGE	Orange	
8.	380-325H	4 TOOTH GRAPPLE BAR	Black	
8.	380-325H82	4 TOOTH GRAPPLE BAR, ORANGE	Orange	
9.	380-326H	WMT, SPILL SCREEN	Black	
9.	380-326H82	WMT, SPILL SCREEN, ORANGE	Orange	
10.	502-068D	HYD HOSE CLAMP BRACKET		
11.	800-001C	GREASE ZERK STRAIGHT 1/4-28		
12.	802-013C	HHCS 5/16-18X1 3/4 GR5		
13.	802-082C	HHCS 1/2-13X1 3/4 GR5 FTHD		
14.	802-097C	HHCS 1/4-20X2 1/2 GR5		
15.	803-007C	NUT LOCK 1/4-20 PLT		
16.	803-084C	NUT HEX NYLOCK 5/16-18 PLT		
17.	803-271C	NUT HEX TOP LOCK 5/8-11 PLT		
18.	804-015C	WASHER LOCK SPRING 1/2 PLT		
19.	804-016C	WASHER FLAT 1/2 SAE PLT		
20.	805-103C	PIN LINCH 7/16 X 1 3/4		
21.	805-143C	PIN HAIR COTTER .120 PLT		
22.	805-263C	PIN CLVS .63X2.0		
23.	806-006C	U-BOLT 5/8-11 X 3 17/32 X 5		
24.	891-177C	BHG 1.50ODX1.25X1.38		

Grapple Hydraulic Components

Applies to GB2084



73784

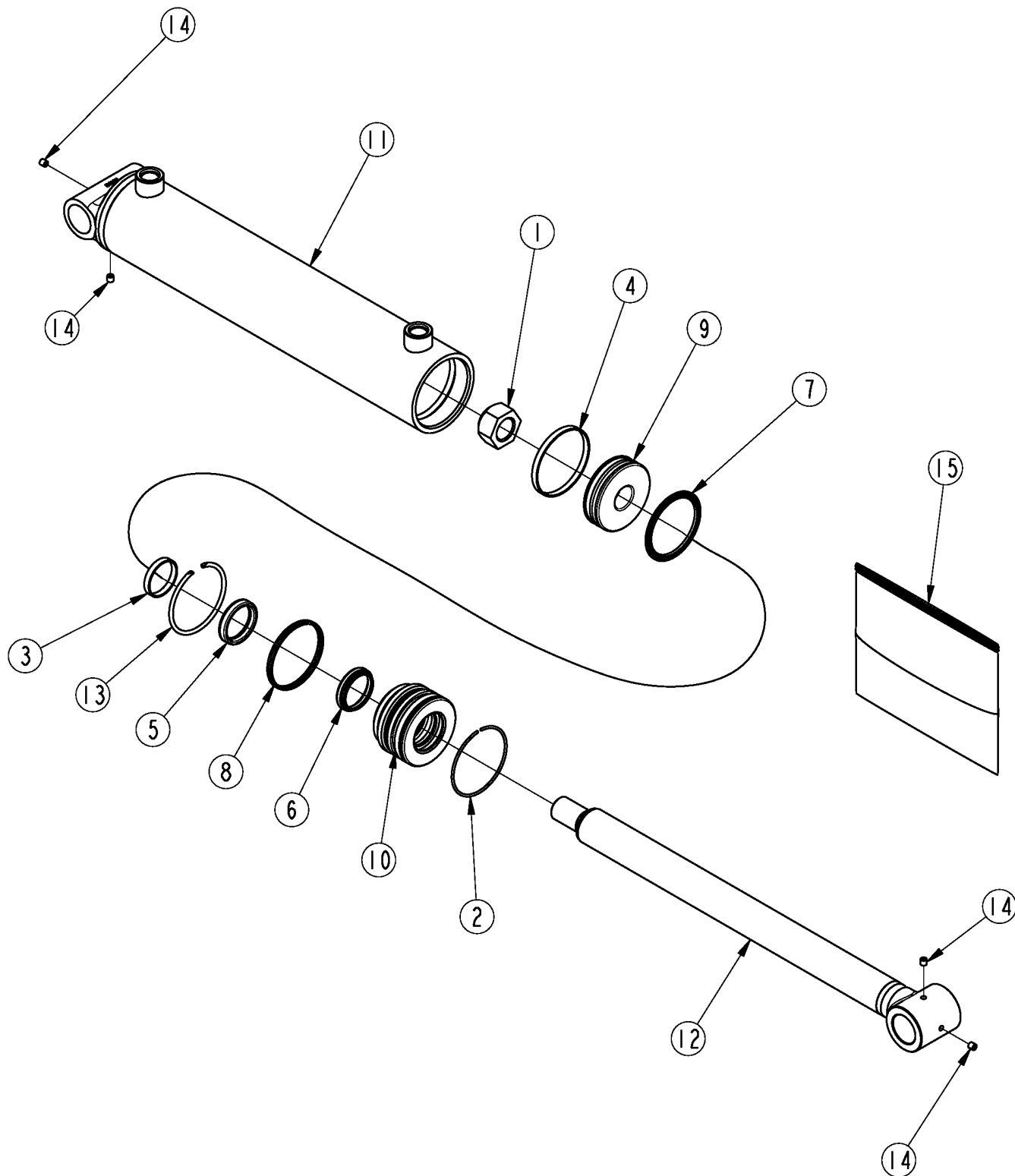
Grapple Hydraulic Components

Applies to GB2084

Ref	Part No.	Part Description	Comments	Revision
	Dwg 73784	Image No.		
1.	380-292D	PIVOT PIN, 1.25X6.75		
2.	800-001C	GREASE ZERK STRAIGHT 1/4-28		
3.	802-097C	HHCS 1/4-20X2 1/2 GR5		
4.	803-007C	NUT LOCK 1/4-20 PLT		
5.	811-171C	EL 3/4MORB 9/16MJIC		
6.	811-253C	HH3/8R2 062 9/16FJIC		
7.	811-312C	TE 9/16MJIC		
8.	841-563C	HH3/8R2 048 9/16FJIC		
9.	850-070C	CYL 3X14X1 1/2 ROD WELDED		

Hydraulic Cylinder (850-070C)

Applies to GB2084



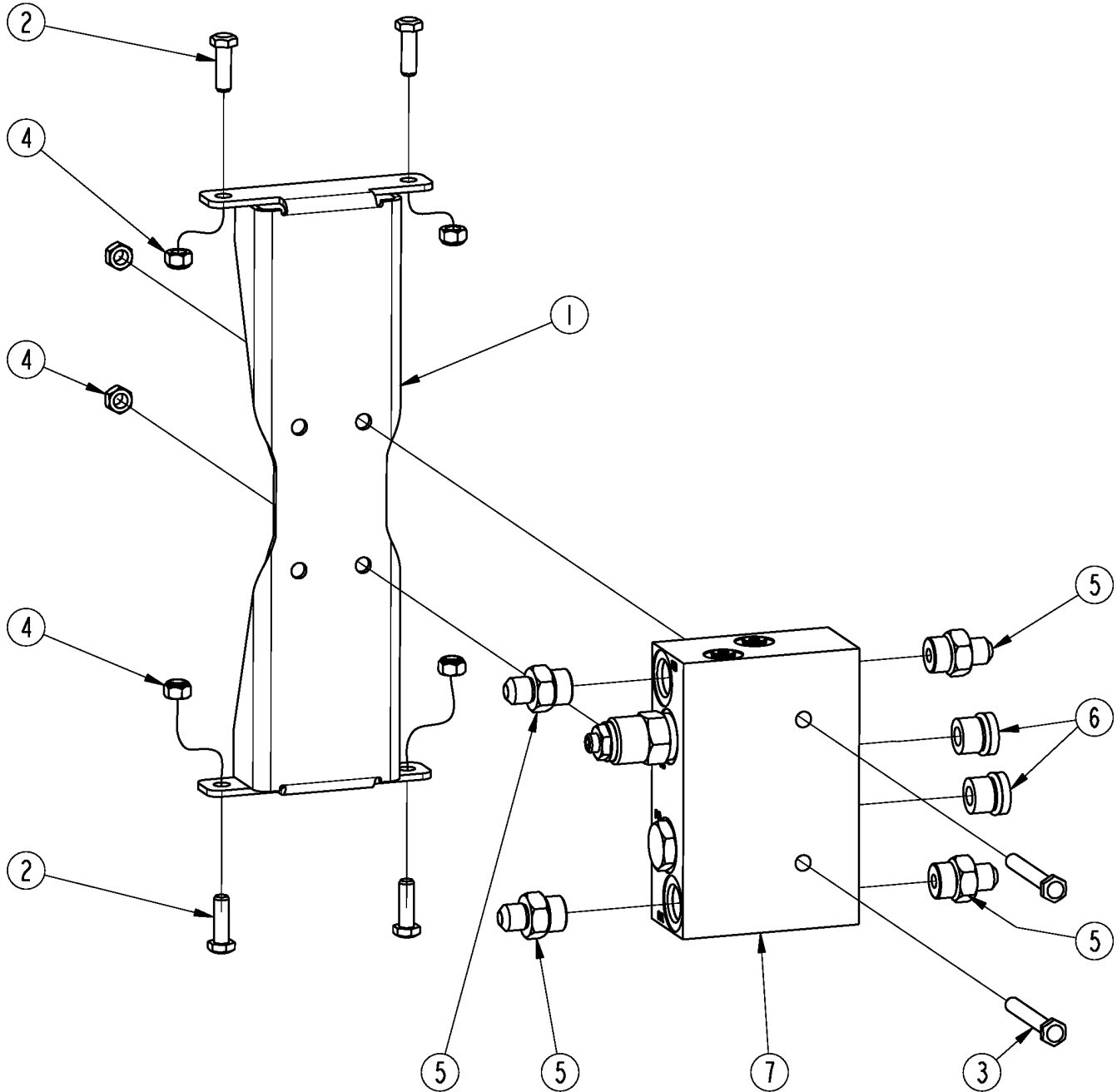
39338

Hydraulic Cylinder (850-070C)**Applies to GB2084**

Ref	Part No.	Part Description	Comments	Revision
	Dwg 39338 850-070C	Image No. CYL 3X14X1 1/2 ROD WELDED *	Complete assembly	
1.	NA			
2.	NA	MON RETAINING RING EXT 3.00	Available only in seal kit 850-169C	
3.	NA	MON WEAR RING 1.63-1.50-0.250	Available only in seal kit 850-169C	
4.	NA	MON WEAR RING 3.00-2.88-0.250	Available only in seal kit 850-169C	
5.	NA	MON SEAL ZURCON U-CUP RU9 1.50	Available only in seal kit 850-169C	
6.	NA	MON SEAL WPR 1.50 SNAP IN DA24	Available only in seal kit 850-169C	
7.	NA	MON SEAL ZRCON GLYD RNG P 3.00	Available only in seal kit 850-169C	
8.	NA	MON SEAL DUAL 3.00 Z20 PU	Available only in seal kit 850-169C	
9.	NA			
10.	NA			
11.	NA			
12.	NA			
13.	NA	MON RETAINING RING INT 3.00	Available only in seal kit 850-169C	
14.	801-045C	SCREW SET 1/4-28X1/4 KNL CUP		
15.	850-169C	MON SEAL KIT 649208	Includes items 2, 3, 4, 5, 6, 7, 8 & 13	

Counterbalance Valve

Applies to GB2084



39330

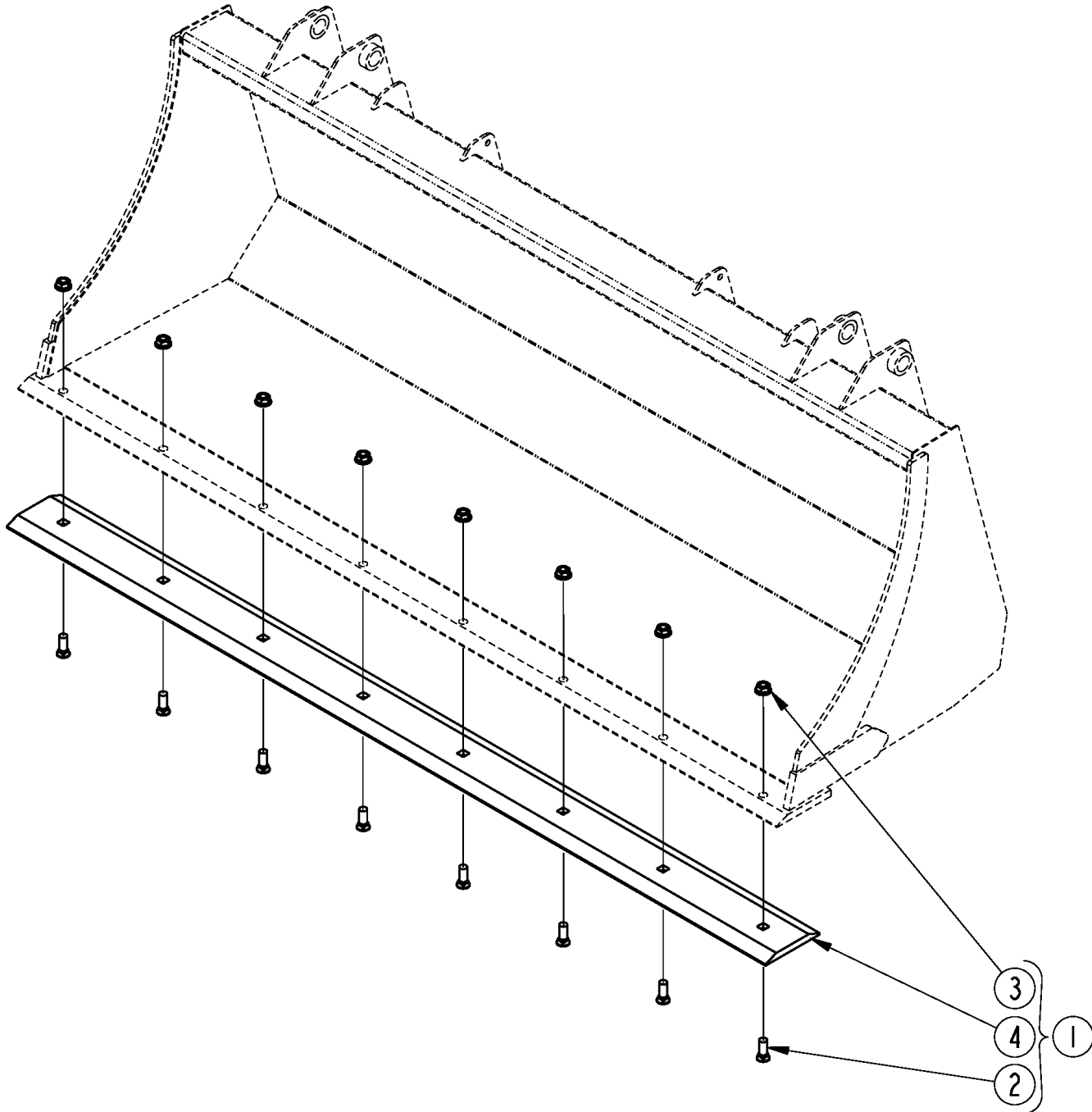
Counterbalance Valve

Applies to GB2084

Ref	Part No.	Part Description	Comments	Revision
	Dwg 39330 380-198A *	Image No. ASY, COUNTERBALANCE VALVE	Complete assembly	
1.	380-296D	BRKT, VALVE MNT		
2.	802-159C	HHCS 5/16-18X1 GR5		
3.	802-172C	HHCS 5/16-18X2 1/2 GR5		
4.	803-084C	NUT HEX NYLOCK 5/16-18 PLT		
5.	811-133C	AD 9/16MJIC 3/4MORB		
6.	811-203C	PL 3/4MORB HOLLOW HEX		
7.	850-071C	VALVE, COUNTERBALANCE		

Cutting Edge

Applies to GB2084



73785

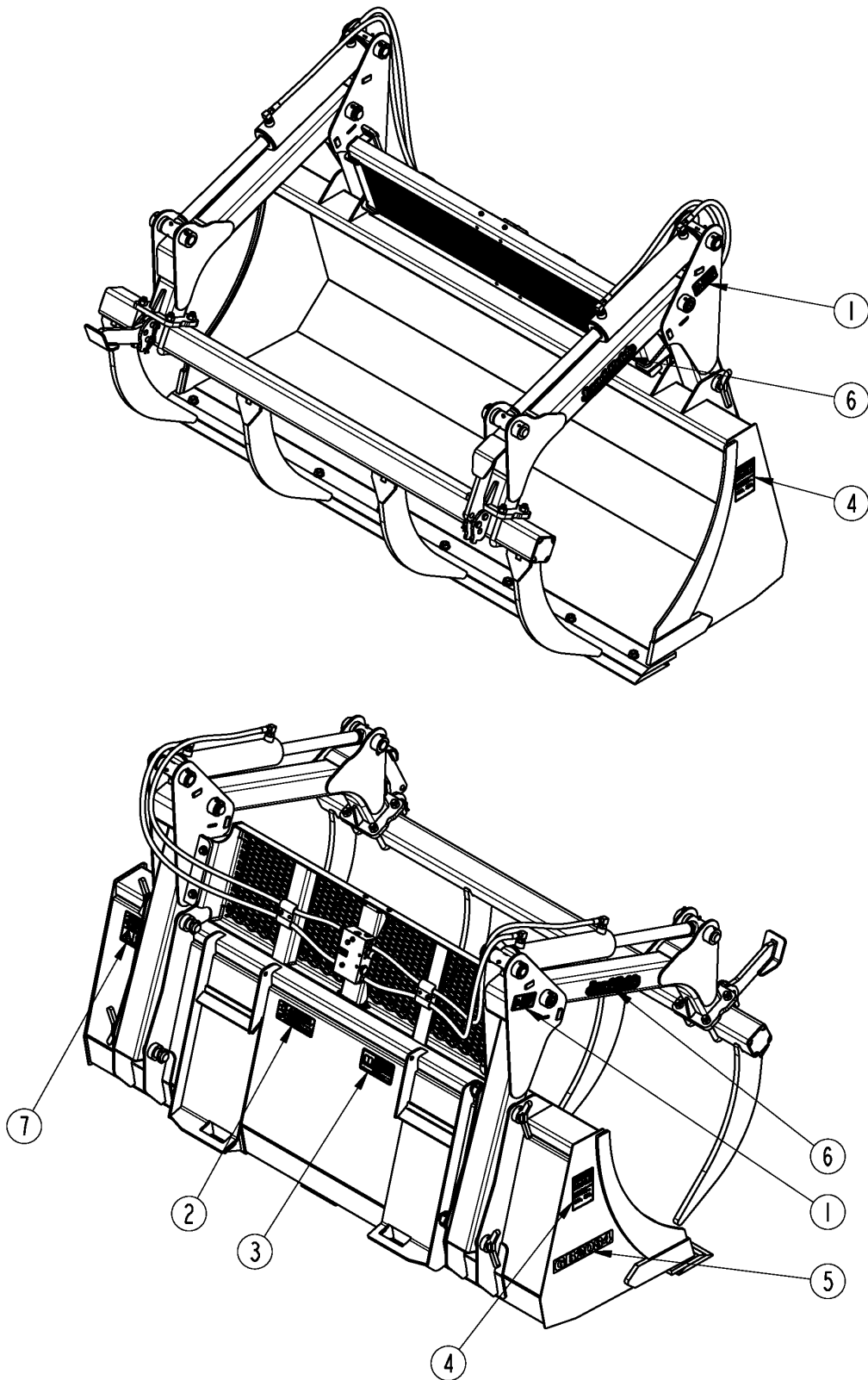
Cutting Edge

Applies to GB2084

Ref	Part No.	Part Description	Comments	Revision
	Dwg 73785	Image No.		
1.	380-327A	ASY, 84 BOLT ON EDGE		
2.	802-206C	PLOW 5/8-11X1 3/4 GR5		
3.	803-304C	NUT HEX WHIZ 5/8-11 PLT		
4.	820-771C	CUTTING EDGE,84 BUCKT BLT ON		

Decals

Applies to GB2084



73786

Decals

Applies to GB2084

Ref	Part No.	Part Description	Comments	Revision
	Dwg 73786	Image No.		
1.	818-798C	DECAL WARNING PINCH POINT GEN		
2.	838-094C	DECAL WARNING HYD PRESS LONG		
3.	838-293C	DECAL WARNING READ MANUAL		
4.	838-378C	DECAL WARNING PINCH/CRUSH		
5.	844-097C	DECAL, GB2084 GOLD		
6.	848-159C	DECAL LANDPRIDE 10" BROWN/GOLD		
7.	858-237C	DECAL, DIG SAFE		

Touch-up Paints - Kubota

Applies to GB2084

No diagram associated with this Parts List

Touch-up Paints - Kubota

Applies to GB2084

Ref	Part No.	Part Description	Comments	Revision
1.	821-070C	GLOSS BLACK SPRAY CAN	All Products	
2.	821-070CTU	GLOSS BLACK TOUCH-UP 5OZ		
3.	821-070CQT	GLOSS BLACK QUART		
4.	821-070CGL	GLOSS BLACK GALLON		



Part Number Index

The Part Number Index is a numeric index of all part numbers included in this manual. The index shows what page(s) the part is used on.

Part Number	Page	Part Number	Page
*	13, 15	NA	13
330-147D	9		
380-178H82	9		
380-178H85	9		
380-181H	9		
380-198A	15		
380-292D	11		
380-296D	15		
380-303D	9		
380-317H	7		
380-317H82	7		
380-321H	9		
380-321H82	9		
380-322H	9		
380-322H82	9		
380-323H	9		
380-323H82	9		
380-325H	9		
380-325H82	9		
380-326H	9		
380-326H82	9		
380-327A	17		
502-068D	9		
800-001C	9, 11		
801-045C	13		
802-013C	9		
802-082C	9		
802-097C	9, 11		
802-159C	15		
802-172C	15		
802-206C	17		
803-007C	9, 11		
803-084C	9, 15		
803-271C	9		
803-304C	17		
804-015C	9		
804-016C	9		
805-103C	9		
805-143C	9		
805-263C	9		
806-006C	9		
811-133C	15		
811-171C	11		
811-203C	15		
811-253C	11		
811-312C	11		
818-798C	19		
820-771C	17		
821-070C	21		
821-070CGL	21		
821-070CQT	21		
821-070CTU	21		
838-094C	19		
838-293C	19		
838-378C	19		
841-563C	11		
844-097C	19		
848-159C	19		
850-070C	11, 13		
850-071C	15		
850-169C	13		
858-237C	19		
891-177C	9		
Dwg 39330	15		
Dwg 39338	13		
Dwg 73782	7		
Dwg 73783	9		
Dwg 73784	11		
Dwg 73785	17		
Dwg 73786	19		

This Page Intentionally Left Blank



Great Plains Manufacturing, Inc.

Corporate Office: P.O. Box 5060
Salina, Kansas 67402-5060 USA

www.landpride.com
