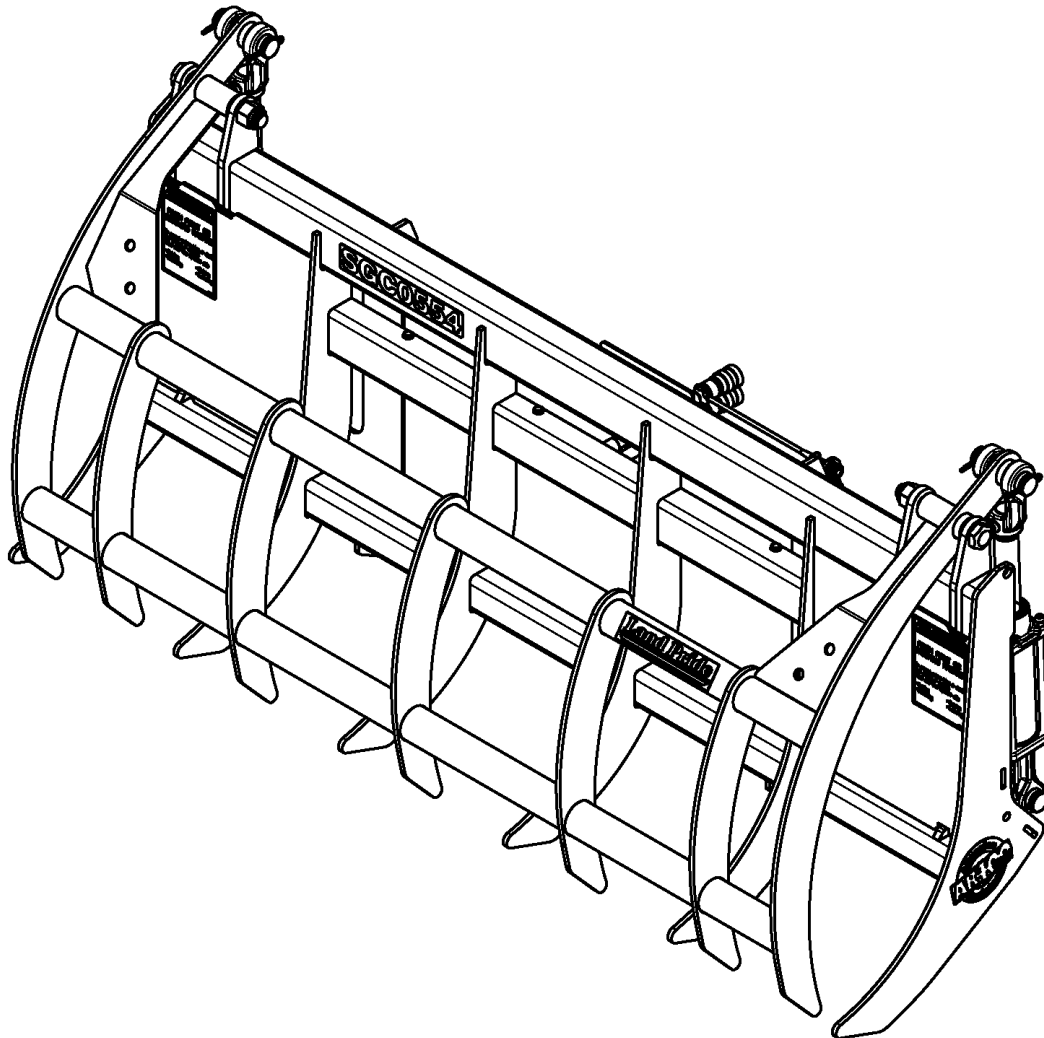


# Grapples

---

**SGC0554**



70014

**380-275P**  
**Parts Manual**



Read the Operator's Manual entirely. When you see this symbol, the subsequent instructions and warnings are serious - follow without exception. Your life and the lives of others depend on it!

© Copyright 2020 Printed 12/30/20

Cover photo may show optional equipment not supplied with standard unit.





# Table of Contents

---

<b>Section 1: Introduction.....</b>	<b>4</b>
Using This Manual.....	4
Manual Replacement Information.....	4
Manual Revisions.....	4
Touch-up Paint.....	4
Hardware Legend.....	5
Replacement Hardware.....	5
Serial Numbers.....	5
Part Number Service Coding.....	5
<b>Section 2: Main Assembly.....</b>	<b>6</b>
Grapple & Claw Frame.....	6
Hydraulic Components.....	8
Hydraulic Cylinder (810-961C).....	10
<b>Section 3: Options &amp; Accessories.....</b>	<b>12</b>
Kubota 3rd Function Valve Couplers.....	12
Third Function Valve Kit 380-289A for BX80 (Aug 2019-)..	14
<b>Section 4: Decals.....</b>	<b>16</b>
Decal Placement.....	16
Touch-up Paints - LP.....	18
<b>Part Number Index.....</b>	<b>20</b>

© Copyright 2020. All rights reserved.

Land Pride provides this publication “as is” without warranty of any kind, either expressed or implied. While every precaution has been taken in the preparation of this manual, Land Pride assumes no responsibility for errors or omissions. Neither is any liability assumed for damages resulting from the use of the information contained herein. Land Pride reserves the right to revise and improve its products as it sees fit. This publication describes the state of this product at the time of its publication, and may not reflect the product in the future. The illustrations in this manual are not intended for safe and proper assembly or disassembly of equipment. The illustrations are intended for ordering parts only.

Land Pride is registered trademark.

All other brands and product names are trademarks or registered trademarks of their respective holders.

*Printed in the United States of America.*



## Alphabetized Table of Contents

---

<b>D</b>	
Decal Placement.....	16
<b>G</b>	
Grapple & Claw Frame.....	6
<b>H</b>	
Hydraulic Components.....	8
Hydraulic Cylinder (810-961C).....	10
<b>K</b>	
Kubota 3rd Function Valve Couplers.....	12
<b>T</b>	
Third Function Valve Kit 380-289A for BX80 (Aug 2019-).....	14
Touch-up Paints - LP.....	18

# General Information

## Using This Manual

This manual is divided into sections. The first section contains General Information. The remaining sections divide the machine into segments (i.e. Frames, Drives, Hydraulics, etc.) which illustrate and list all parts. A Parts Number Index is located at the back of the book.

The Land Pride parts in this manual are specially designed for this machine and should be replaced with Land Pride parts only.

The information in this manual is current at time of printing. Some parts may change to assure top performance.

Right-hand and left-hand as used in this manual are determined by facing the direction the machine will travel while in use.

Below is an example of two facing pages from a parts manual. Familiarize yourself with the type of information contained on these pages.

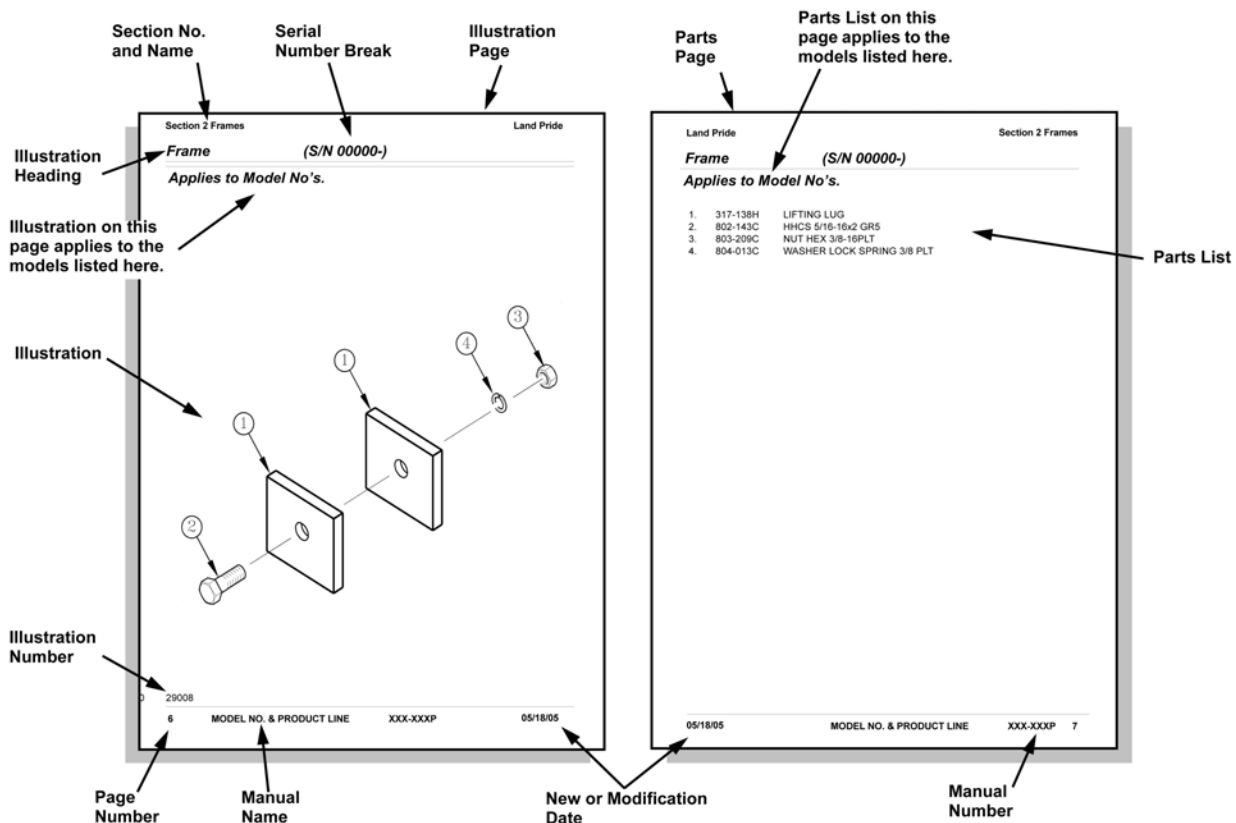
## Manual Replacement Information

Replacement manuals are available. Refer to our website at [www.landpride.com](http://www.landpride.com) or e-mail us at [lit@landpride.com](mailto:lit@landpride.com) for additional information. Our website continues to provide the most up-to-date manuals available.

## Touch-up Paint

Repaint parts where paint is worn or scratched to prevent rust. Aerosol cans and touch-up bottles with brush applicator are available through your local dealer. Also available are quart and gallon size paints. Add QT or GL to end of the Aerosol P/N.

Land Pride color descriptions and part numbers are listed on the "Land Pride Touch-up Paints" page in the "Decals" section of this book. Color options vary by product.



## General Information

### Hardware Legend

<b>AR</b>	As Required
<b>BLADE</b>	Blade Bolt
<b>C</b>	Cap Screw
<b>CP</b>	Cotter Pin
<b>CPHSSS</b>	Cup Point Hex Socket Set Screw
<b>CPSHSS</b>	Cup Point Square Head Set Screw
<b>CPSQHSS</b>	Cup Point Square Head Set Screw
<b>CRFCHMS3</b>	Cross Recess Flat Countersunk Head Machine Screw
<b>CRPHMS</b>	Cross Recess Pan Head Machine Screw
<b>CRPHTF</b>	Cross Recess Pan Head Thread Forming
<b>CRRHMS</b>	Cross Recess Round Head Machine Screw
<b>CRTHMS</b>	Cross Recess Truss Head Machine Screw
<b>CSNB</b>	Countersunk Square Neck Bolt
<b>FHMS</b>	Flat Head Machine Screw
<b>FTC</b>	Full Thread Cap Screw
<b>H</b>	Hex Nut
<b>HCLN</b>	Hex Center Lock Nut
<b>HFLCS</b>	Hex Flange Lock Cap Screw
<b>HFS</b>	Hex Flange Screw
<b>HFSLN</b>	Hex Flange Serrated Lock Nut
<b>HFSS</b>	Hex Flange Serrated Screw
<b>HHCS</b>	Hex Head Cap Screw or Metric Bolt
<b>HSBHCS</b>	Hex Socket Button Head Cap Screw
<b>HSFCHCS</b>	Hex Socket Flat Countersunk Head Cap Screw
<b>HSHCS</b>	Hex Socket Head Cap Screw
<b>HSSS</b>	Hex Socket Head Screw
<b>HTLN</b>	Hex Top Lock Nut
<b>HWHCS</b>	Hex Washer Head Cap Screw

<b>HWHMS</b>	Hex Washer Head Machine Screw
<b>HXBHCS</b>	Hex Socket Button Head Cap Screw
<b>J</b>	Hex Jam Nut
<b>JIC</b>	37 Degree Tapered Thread
<b>L</b>	Helical Spring Lock Washer
<b>LUG</b>	Lug Bolt
<b>NFC</b>	National Fine Cap Screw
<b>NPSM</b>	National Pipe Straight Mechanical
<b>NPTF</b>	National Pipe Taper Fuel
<b>P</b>	Wide Plain Washer
<b>PHMS</b>	Pan Head Machine Screw
<b>PLOW</b>	Plow Bolt
<b>RHMS</b>	Round Head Machine Screw
<b>RHSNB</b>	Round Head Square Neck Bolt
<b>SCREW LEVELING</b>	Leveling Screw
<b>SCREW THUMB</b>	Thumb Screw
<b>SCREW WELD</b>	Weld Screw
<b>SFCHMS</b>	Slotted Flat Countersunk Head Machine Screw
<b>SFHMS</b>	Slotted Fillister Head Machine Screw
<b>SP</b>	Special
<b>SP SCREW</b>	Special Screw
<b>SQHSS</b>	Square Head Set Screw
<b>SRHMS</b>	Slotted Round Head Machine Screw
<b>SSS</b>	Socket Set Screw
<b>STCS</b>	Self Tapping Cap Screw
<b>STHMS</b>	Slotted Truss Head Machine Screw
<b>WHEEL</b>	Wheel Studs and Hub Long Bolts
<b>WING</b>	Wing Bolt

### Replacement Hardware

The **Hardware Legend** above lists hardware abbreviations used in the parts list. All bolts and nuts are Grade 5 unless otherwise noted. The use of improper grades of hardware can result in personal injury, damage to equipment, or loss of property.

### Colored Replacement Parts

Land Pride offers replacement parts in factory standard colors and also on select models in Green, Orange, Red and Blue. Because of the variety of colors available, special attention must be given to the part number to prevent ordering the wrong replacement part.

A suffix number corresponding to one of the colors below must be added at the end of Land Pride's part number when ordering a replacement part with that color.

**81 . . . . . Green      83 . . . . . Red**  
**82 . . . . . Orange    84 . . . . . Blue**

For example, if you are ordering a replacement part with part number 555-555C and the part you need is red, then add the suffix 83 to the end of the number to make the part number read 555-555C83. Parts ordered without a suffix number will be supplied in factory standard colors.

### Black Replacement Parts

Some parts are factory standard black and some must be special ordered black. If your part is special ordered black, a second part number with the additional suffix number 85 on the end will be available. In this situation you must order that part with the suffix number for it to be black. Parts that are factory standard black will not have the suffix number.

### Part Number Service Coding

Within the parts list some part numbers are coded for revisions and interchangeability. See notations in revision column.

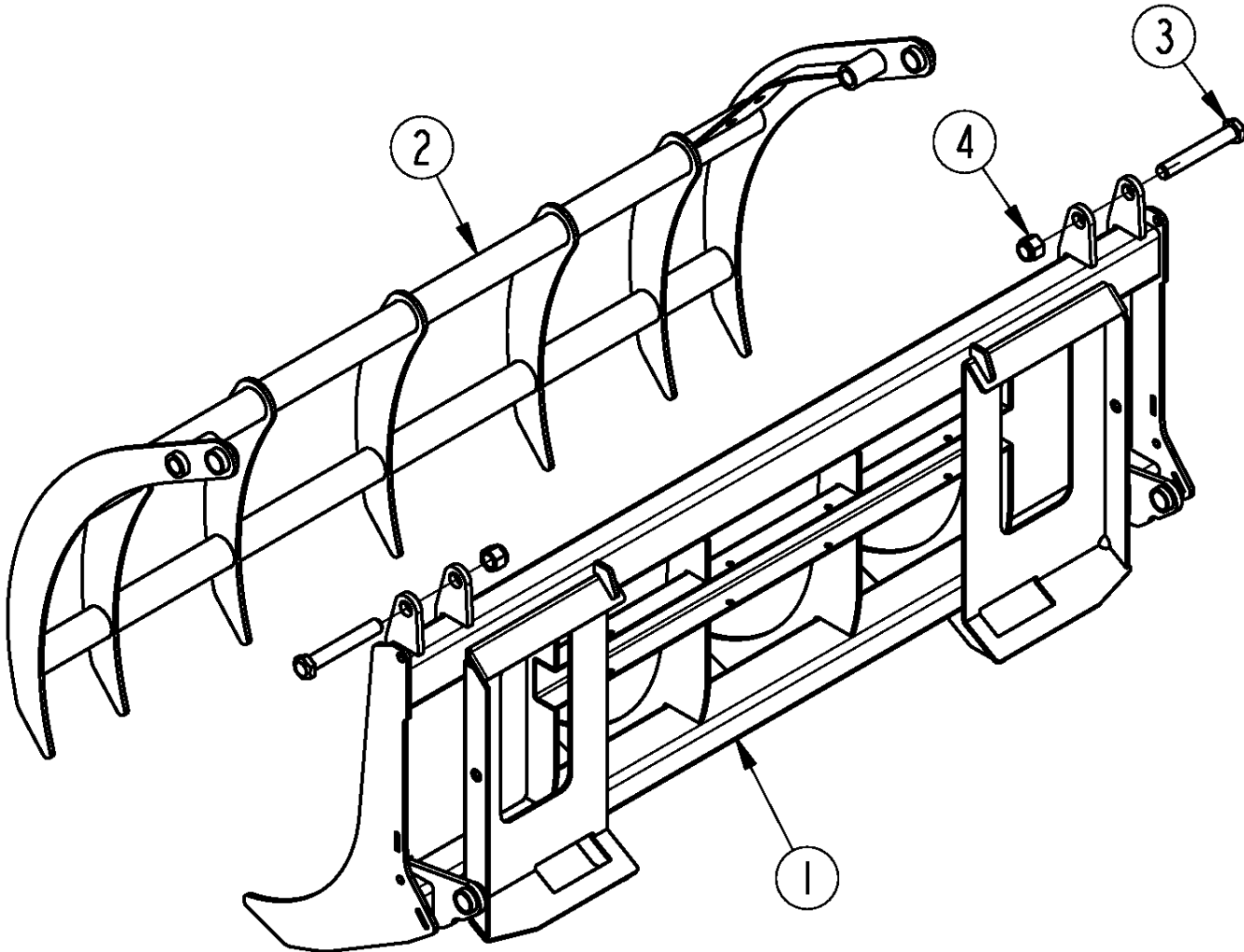
### Serial Numbers

Always use the serial and model number when ordering parts. Refer to the Operator's Manual for serial number plate location.

- |                      |  |
|----------------------|--|
| (S/N 20001+)         | Includes serial numbers 20001 and above (to the latest number)   |
| (S/N 10001 to 20000) | Includes serial numbers between and including 10001 and 20000    |
| (S/N 10000-)         | Includes serial numbers 10000 and below (to the earliest number) |

# Grapple & Claw Frame

Applies to SGC0554



70022

## ***Grapple & Claw Frame***

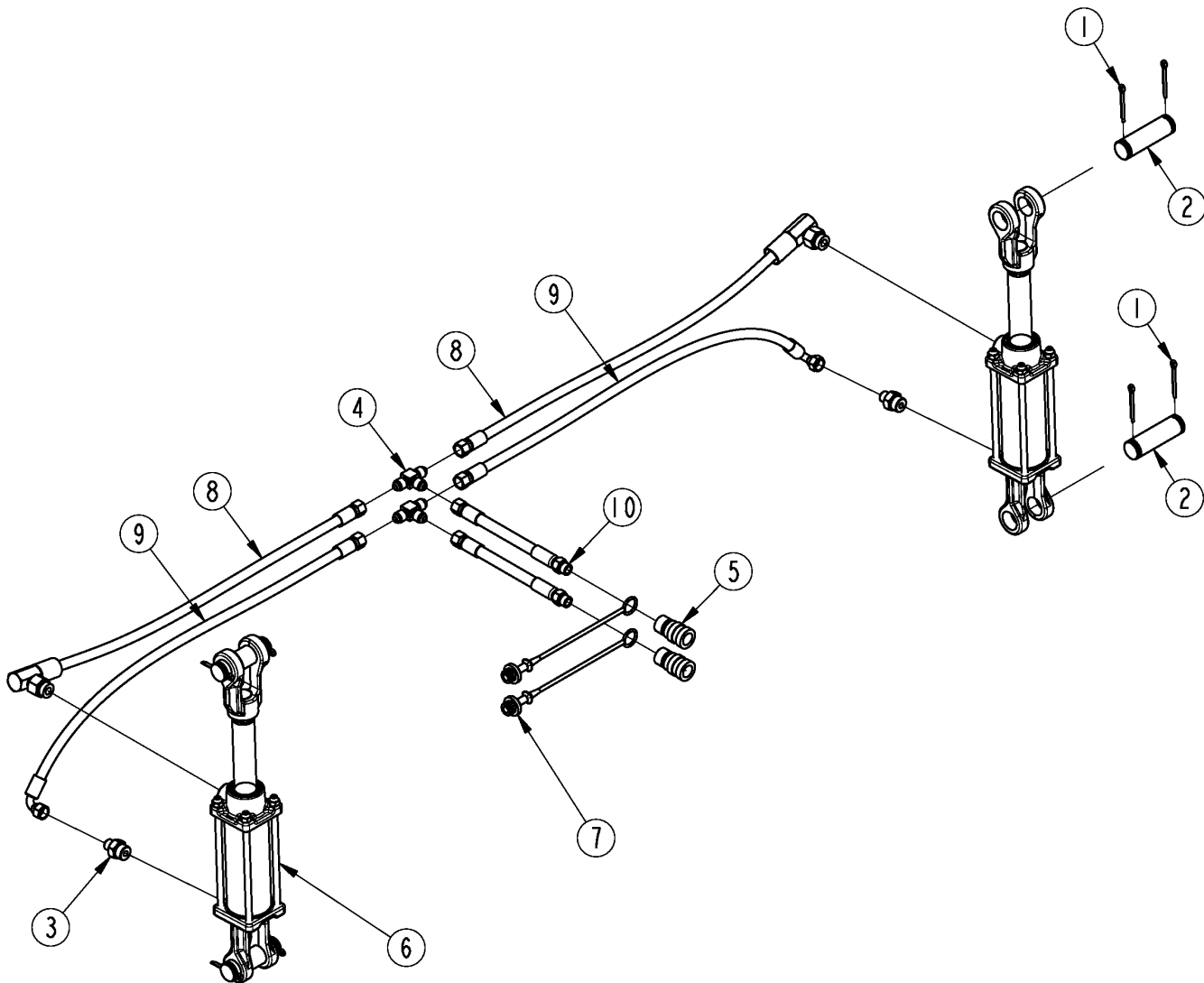
---

### **Applies to SGC0554**

<b>Ref</b>	<b>Part No.</b>	<b>Part Description</b>	<b>Comments</b>	<b>Revision</b>
	dwg 70022	Drawing Image Number		
1.	380-271H	54" GRAPPLE FRAME		
2.	380-272H	GRAPPLE JAW		
3.	802-069C	HHCS 3/4-10X5 GR5		
4.	803-025C	NUT HEX 3/4-10 PLT NYLOCK		

# Hydraulic Components

Applies to SGC0554



70023



## ***Hydraulic Components***

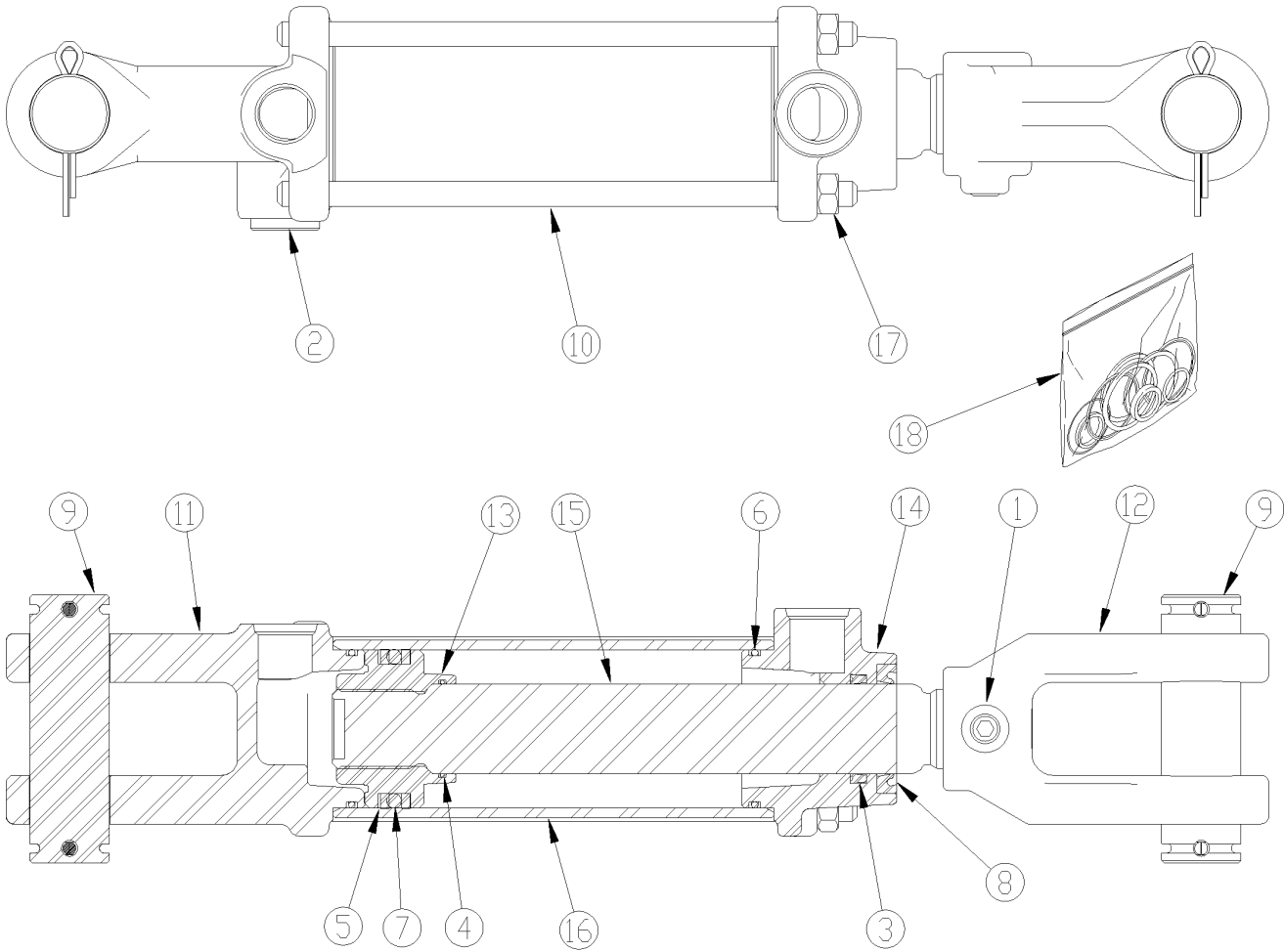
---

### **Applies to SGC0554**

<b>Ref</b>	<b>Part No.</b>	<b>Part Description</b>	<b>Comments</b>	<b>Revision</b>
	dwg 70023	Drawing Image Number		
1.	235005	MON PIN KIT 1.00C/W COTTER PIN		
2.	235005	MON PIN KIT 1.00C/W COTTER PIN		
3.	811-133C	AD 9/16MJIC 3/4MORB		
4.	811-312C	TE 9/16MJIC		
5.	841-466C	CP 9/16FORB QD 1/4BODY FEMALE		
6.	850-230C	CYL 2X4X1.12		
7.	851-977C	DUST PLUG, 1/4" QD AG		
8.	861-026C	HH1/4R2 26 9/16FJIC 3/4MORB90S		
9.	861-027C	HH1/4R2 26 9/16FJIC 9/16FJIC90		
10.	861-088C	HH1/4R2 42 9/16FJIC 9/16MORB		

# Hydraulic Cylinder (810-961C)

Applies to SGC0554



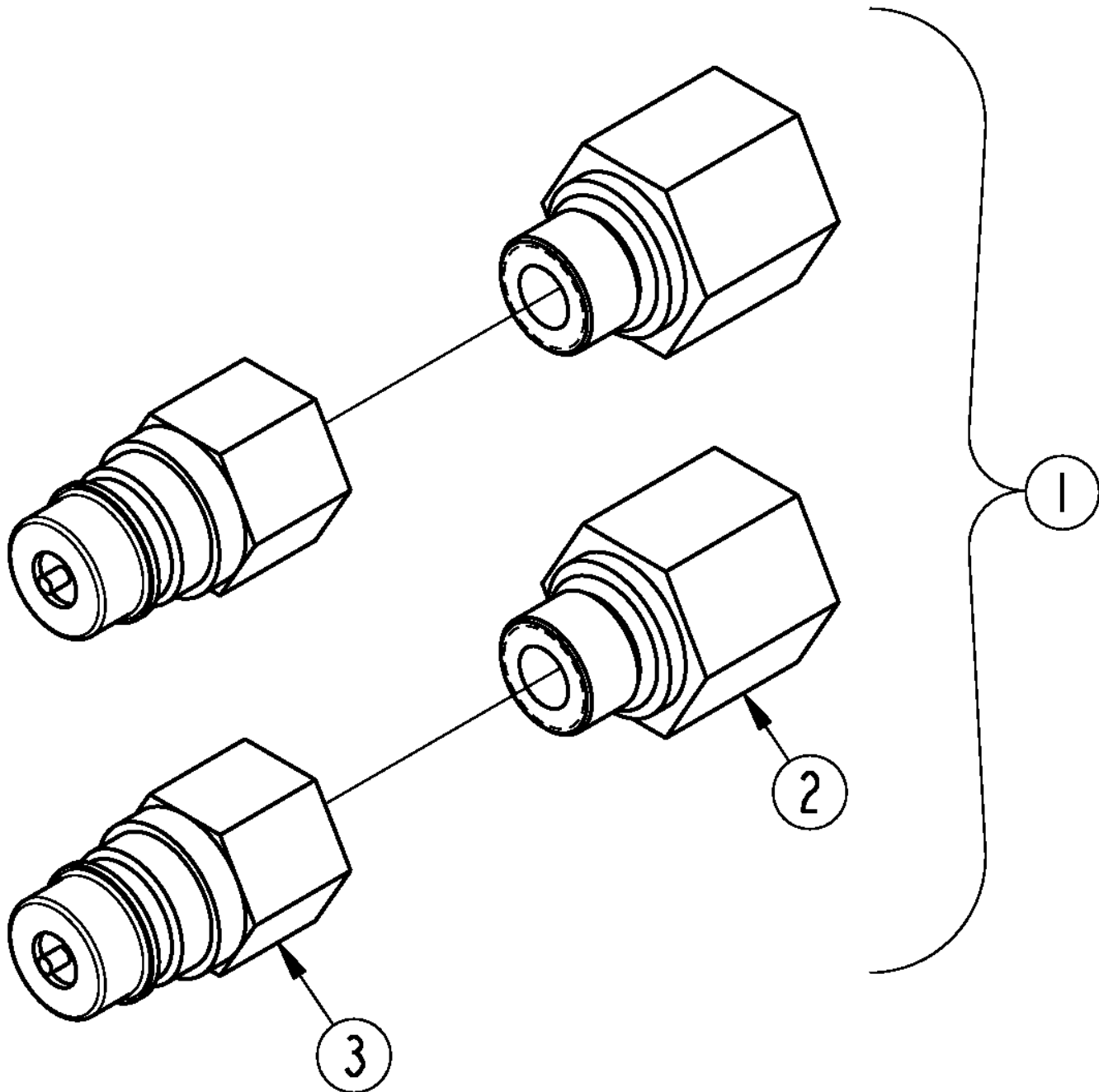
35820

**Hydraulic Cylinder (810-961C)****Applies to SGC0554**

Ref	Part No.	Part Description	Comments	Revision
	Dwg 35820 810-961C	Drawing Image Number CYL 2X4X1.12 *		
1.	148000	MON SET SCREW 3/8INC ONE PIECE		
2.	186562	LION PLUG 3/4-16UNF SOCKET HD		
3.	N/A	MON SEAL HALLITE 605 ROD 1.13		
4.	N/A	MON O-RING 024 1.125X1.225 N90		
5.	N/A	MON SEAL BU#326 19PI-326		
6.	N/A	MON O-RING 133 1.812X2 BUNA D9		
7.	N/A	MON O-RING 326 1.63X2 D90		
8.	N/A	LION WIPER SEAL		
9.	235005	MON PIN KIT 1.00C/W COTTER PIN		
10.	292519	MON TIE ROD 5/16-04-TX		
11.	293008	MON CLEVIS CAP 2.00-3/4ORD-1.0		
12.	293009	MON ROD CLEVIS 1.00-1.00 TX		
13.	293010	MON PISTON 2.00 TX		
14.	293016	MON ROD CAP 2.00-1.13-3/4 ORB		
15.	497519	MON ROD CYL 1.12-04-1.00		
16.	498523	MON TUBE CYL 2.00-04.00-TX		
17.	803-008C	NUT HEX 5/16-18 PLT		
18.	810-883C	MON SEAL KIT 620271		

# Kubota 3rd Function Valve Couplers

Applies to SGC0554



70026

***Kubota 3rd Function Valve Couplers***

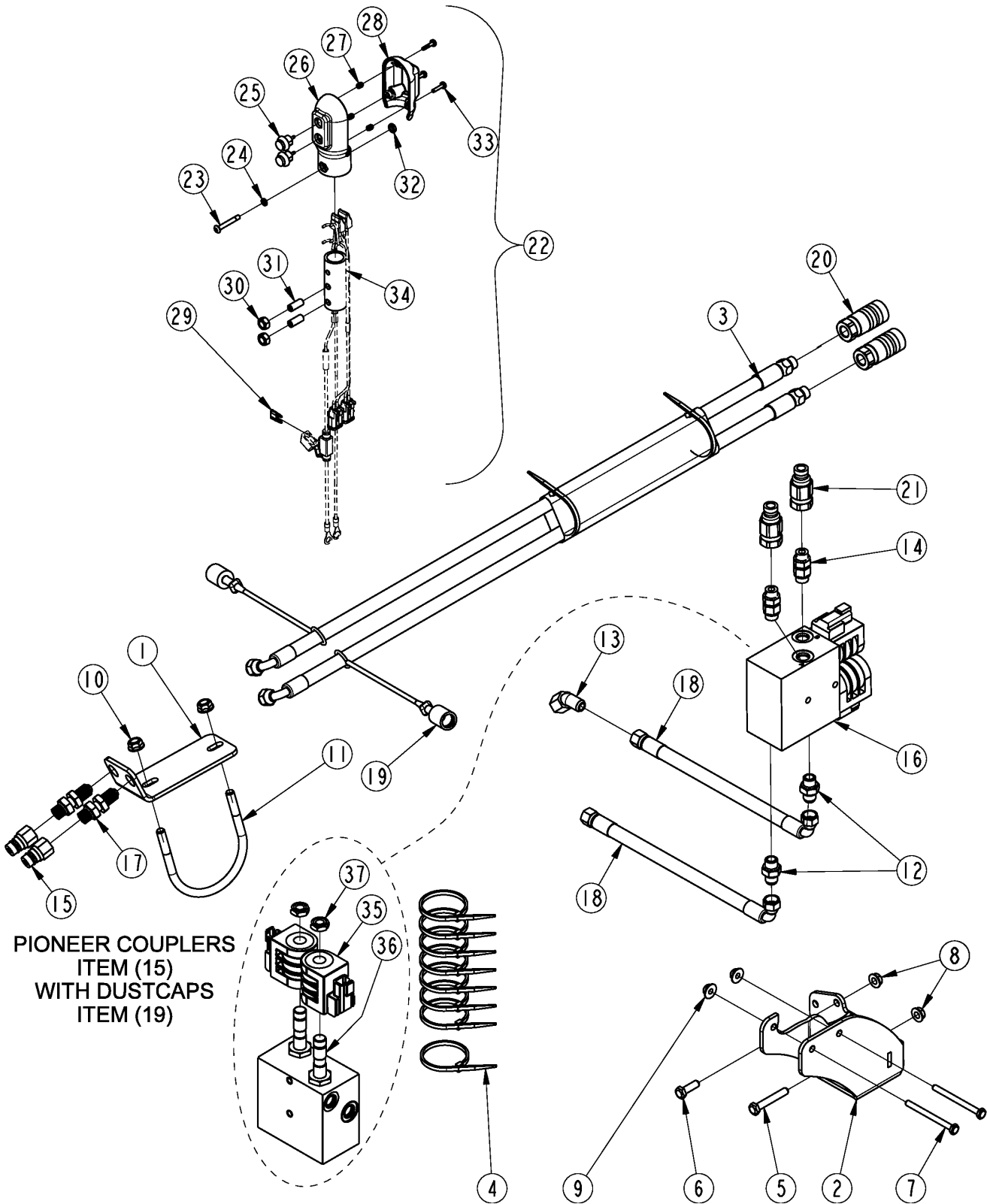
---

**Applies to SGC0554**

<b>Ref</b>	<b>Part No.</b>	<b>Part Description</b>	<b>Comments</b>	<b>Revision</b>
	Dwg 70026	Drawing Image Number		
1.	380-281A	KUBOTA 3RD FUNCT VALVE CPLRS		
2.	811-801C	ADAPTER 9/16MORB 3/8FNPT		
3.	841-467C	CP 9/16 FORB QD 1/4 BODY MALE		

# Third Function Valve Kit 380-289A for BX80 (Aug 2019-)

Applies to SGC0554



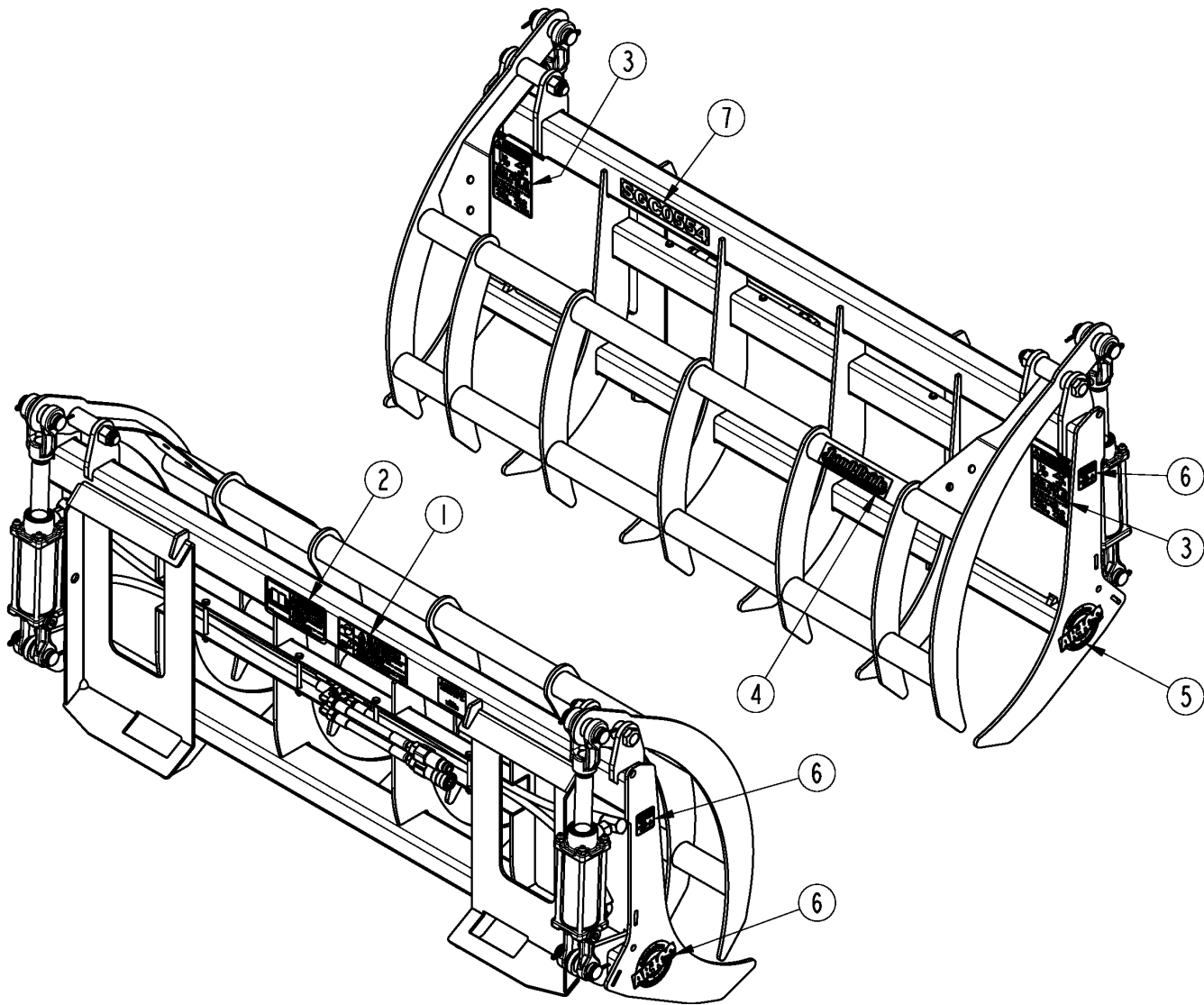
70903

**Third Function Valve Kit 380-289A for BX80 (Aug 2019-)****Applies to SGC0554**

Ref	Part No.	Part Description	Comments	Revision
	Dwg 70903	Drawing Image Number		
	380-289A	VALVE KIT BX80 3RD FNCTION *		
1.	380-223D	PLATE, BX BLKHD MOUNT		
2.	380-303H	MNT BKT, BX80 3RD VALVE		
3.	381-170L	ASY, BX80 3RD VLV LOADER HOSE		
4.	800-112C	CABLE TIE .19X7.25 1.75D 50LB		
5.	802-115C	HHCS 5/16-18X2 GR5		
6.	802-159C	HHCS 5/16-18X1 GR5		
7.	802-274C	HHCS 1/4-20X3 GR5		
8.	803-043C	NUT HEX WHIZ 5/16-18 PLT		
9.	803-088C	NUT HEX LOCK 1/4-20 FLG		
10.	803-198C	NUT HEX WHIZ 3/8-16 PLT		
11.	806-256C	U-BOLT 3/8-16X3 1/2X4 1/8 RND		
12.	811-170C	AD 9/16MORB 9/16MJIC		
13.	811-397C	EL 45 9/16MJIC 9/16FJIC		
14.	811-636C	AD 9/16MORB STRAIGHT UNION		
15.	841-467C	CP 9/16 FORB QD 1/4 BODY MALE		
16.	850-313C	VALVE, THIRD FUNCTION (DELTA)		
17.	851-276C	AD 9/16MJIC9/16MORB BLKHD W/LN		
18.	851-959C	HH1/4R2 58 9/16FJIC 9/16FJIC90		
19.	851-976C	DUST CAP, 1/4" QD AG		
20.	861-287C	CP 9/16FORB QD 1/4 BODY FEMALE		
21.	861-288C	CP 9/16FORB QD 1/4 BODY MALE		
22.	380-302S	ASY, PUSH BUTTON CNTRL HNDL		
23.	801-250C	HSBHCS #10-32X1 3/8		
24.	804-054C	WASHER LOCK #10		
25.	833-739C	SWITCH, P9 PB NO SPST MOM RED		
26.	837-054C	BASE, PUSH BUTTON CNTRL HNDL		
27.	99362A300	6-32 BRASS TAPPING INSERT		
28.	837-053C	COVER, PUSH BUTTON CNTRL HNDL		
29.	833-495C	FUSE, 10 AMP MINI BLADE		
30.	803-008C	NUT HEX 5/16-18 PLT		
31.	801-204C	SCREW SET SCKT HD 5/16-18X3/4		
32.	803-269C	NUT HEX 10-32 PLT		
33.	801-091C	CRPHMS 6-32X5/8 SS		
34.	380-225D	MOUNT TUBE, CONTROL STICK		

# Decal Placement

Applies to SGC0554



70024



***Decal Placement***

---

**Applies to SGC0554**

<b>Ref</b>	<b>Part No.</b>	<b>Part Description</b>	<b>Comments</b>	<b>Revision</b>
	Dwg 70024	Drawing Image Number		
1.	838-094C	DECAL WARNING HYD PRESS LONG		
2.	838-293C	DECAL WARNING READ MANUAL		
3.	838-378C	DECAL WARNING PINCH/CRUSH		
4.	838-967C	DECAL LANDPRIDE 6" BROWN/GOLD		
5.	858-108C	DECAL, AR400 STEEL		
6.	858-765C	DECAL PIC--PINCH POINT		
7.	858-813C	DECAL, SGC0554 GOLD		

***Touch-up Paints - LP***

---

Applies to SGC0554

**No diagram associated with this Parts List**

**Touch-up Paints - LP****Applies to SGC0554**

<b>Ref</b>	<b>Part No.</b>	<b>Part Description</b>	<b>Comments</b>	<b>Revision</b>
1.	821-011C	LP BEIGE SPRAY CAN	Spray can	
1.	821-011CTU	LP BEIGE TOUCH-UP 5OZ	Touch-up bottle with brush	
1.	821-011CQT	LP BEIGE QUART	Quart can	
1.	821-011CGL	LP BEIGE GALLON	Gallon can	
2.	821-070C	GLOSS BLACK SPRAY CAN	Spray can	
2.	821-070CTU	GLOSS BLACK TOUCH-UP 5OZ	Touch-up bottle with brush	
2.	821-070CQT	GLOSS BLACK QUART	Quart can	
2.	821-070CGL	GLOSS BLACK GALLON	Gallon can	
3.	821-054C	MED. RED SPRAY TRCK/CTR	Spray can	
3.	821-054CTU	MED RED TOUCH-UP 5OZ	Touch-up bottle with brush	
3.	821-054CQT	MED RED QUART	Quart can	
3.	821-054CGL	MED RED GALLON	Gallon can	
4.	821-058C	GREEN SPRAY CUTTERS	Spray can	
4.	821-058CTU	GREEN TOUCH-UP 5OZ	Touch-up bottle with brush	
4.	821-058CQT	GREEN QUART	Quart can	
4.	821-058CGL	GREEN GALLON	Gallon can	
5.	821-066C	ORANGE SPRAY CAN	Spray can	
5.	821-066CTU	ORANGE TOUCH-UP 5OZ	Touch-up bottle with brush	
5.	821-066CQT	ORANGE QUART	Quart can	
5.	821-066CGL	ORANGE GALLON	Gallon can	
6.	821-067C	BLUE SPRAY CAN	Spray can	
6.	821-067CTU	BLUE TOUCH-UP 5OZ	Touch-up bottle with brush	
6.	821-067CQT	BLUE QUART	Quart can	
6.	821-067CGL	BLUE GALLON	Gallon can	
7.	821-080C	PAINT ALUMINUM/ZINC SPRAY CAN	Spray can	
7.	821-080CTU	PAINT ALUMINUM/ZINC TOUCH UP	Touch-up bottle with brush	
7.	821-080CQT	PAINT ALUMINUM/ZINC QUART	Quart can	
7.	821-080CGL	PAINT ALUMINUM/ZINC GALLON	Gallon can	



# Part Number Index

The Part Number Index is a numeric index of all part numbers included in this manual. The index shows what page(s) the part is used on.

<b>Part Number</b>	<b>Page</b>	<b>Part Number</b>	<b>Page</b>
148000	11	821-080CTU	19
186562	11	833-495C	15
235005	9, 11	833-739C	15
292519	11	837-053C	15
293008	11	837-054C	15
293009	11	838-094C	17
293010	11	838-293C	17
293016	11	838-378C	17
380-223D	15	838-967C	17
380-225D	15	841-466C	9
380-271H	7	841-467C	13, 15
380-272H	7	850-230C	9
380-281A	13	850-313C	15
380-289A	15	851-276C	15
380-302S	15	851-959C	15
380-303H	15	851-976C	15
381-170L	15	851-977C	9
497519	11	858-108C	17
498523	11	858-765C	17
800-112C	15	858-813C	17
801-091C	15	861-026C	9
801-204C	15	861-027C	9
801-250C	15	861-088C	9
802-069C	7	861-287C	15
802-115C	15	861-288C	15
802-159C	15	99362A300	15
802-274C	15	Dwg 35820	11
803-008C	11, 15	dwg 70022	7
803-025C	7	dwg 70023	9
803-043C	15	Dwg 70024	17
803-088C	15	Dwg 70026	13
803-198C	15	Dwg 70903	15
803-269C	15	N/A	11
804-054C	15		
806-256C	15		
810-883C	11		
810-961C	11		
811-133C	9		
811-170C	15		
811-312C	9		
811-397C	15		
811-636C	15		
811-801C	13		
821-011C	19		
821-011CGL	19		
821-011CQT	19		
821-011CTU	19		
821-054C	19		
821-054CGL	19		
821-054CQT	19		
821-054CTU	19		
821-058C	19		
821-058CGL	19		
821-058CQT	19		
821-058CTU	19		
821-066C	19		
821-066CGL	19		
821-066CQT	19		
821-066CTU	19		
821-067C	19		
821-067CGL	19		
821-067CQT	19		
821-067CTU	19		
821-070C	19		
821-070CGL	19		
821-070CQT	19		
821-070CTU	19		
821-080C	19		
821-080CGL	19		
821-080CQT	19		

***This Page Intentionally Left Blank***



Great Plains Manufacturing, Inc.

Corporate Office: P.O. Box 5060  
Salina, Kansas 67402-5060 USA

[www.landpride.com](http://www.landpride.com)

---