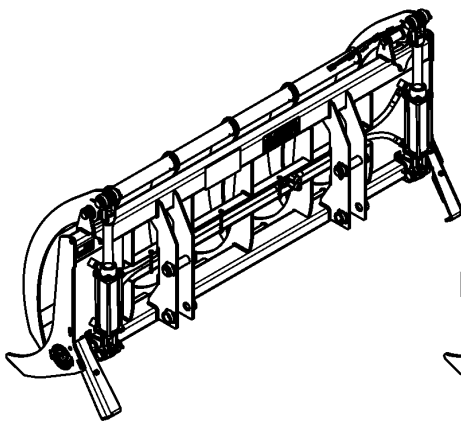


# Claw Grapple

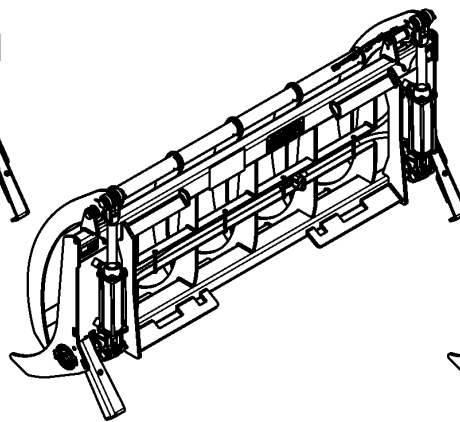
---

**SGC0660**



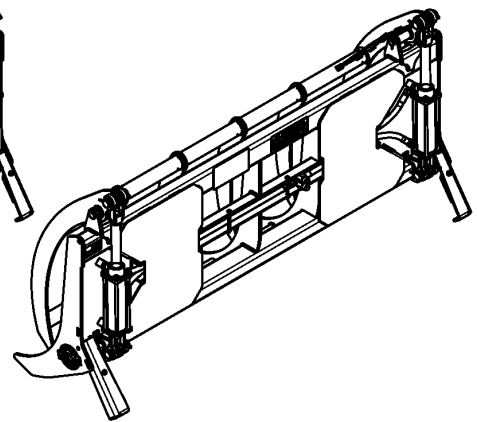
---

**CLAW GRAPPLE WITH  
KUBOTA B HITCH PLATE**



---

**CLAW GRAPPLE WITH  
FRONT LOADER HITCH PLATE**



---

**CLAW GRAPPLE WITH  
BLANK HITCH PLATE**

37460



**380-164P**  
**Parts Manual**



Read the Operator's Manual entirely. When you see this symbol, the subsequent instructions and warnings are serious - follow without exception. Your life and the lives of others depend on it!

© Copyright 2021 Printed 04/02/21

*Cover photo may show optional equipment not supplied with standard unit.*



# Table of Contents

---

<b>Section 1: Introduction.....</b>	<b>4</b>
Using This Manual.....	4
Manual Replacement Information.....	4
Manual Revisions.....	4
Touch-up Paint.....	4
Hardware Legend.....	5
Replacement Hardware.....	5
Serial Numbers.....	5
Part Number Service Coding.....	5
<b>Section 2: Main Assembly.....</b>	<b>6</b>
Grapple & Claw Frame.....	6
Hydraulic Components.....	8
Hydraulic Cylinder Components (850-042C).....	10
<b>Section 3: Decals.....</b>	<b>12</b>
Decal Placement.....	12
Touch-up Paints - LP.....	14
<b>Section 4: Options &amp; Accessories.....</b>	<b>16</b>
Third Function Hose Kit 380-150A.....	16
Third Function Valve Kit 380-093A for Kubota B3300 & LA504.....	18
Third Function Valve Kit 380-149A for Kubota B2620 & LA364 or B2320 & LA304 or B2301 & B2601 & LA434 (Aug 2019-).....	20
Third Function Valve Kit 380-152A for Kubota L2501 L3200 L3800 L3301 L3901 L4600 & L4701.....	22
Third Function Valve Kit 380-168A for Kubota B3350 B2650 & LA534 LA534A.....	24
Third Function Valve Kit 380-354A for Kubota B2301 or B2601 & LA434 or LA435.....	26
<b>Part Number Index.....</b>	<b>28</b>

© Copyright 2021. All rights reserved.

Land Pride provides this publication “as is” without warranty of any kind, either expressed or implied. While every precaution has been taken in the preparation of this manual, Land Pride assumes no responsibility for errors or omissions. Neither is any liability assumed for damages resulting from the use of the information contained herein. Land Pride reserves the right to revise and improve its products as it sees fit. This publication describes the state of this product at the time of its publication, and may not reflect the product in the future. The illustrations in this manual are not intended for safe and proper assembly or disassembly of equipment. The illustrations are intended for ordering parts only.

Land Pride is registered trademark.

All other brands and product names are trademarks or registered trademarks of their respective holders.

*Printed in the United States of America.*



## Alphabetized Table of Contents

---

<b>D</b>	
Decal Placement.....	12
<b>G</b>	
Grapple & Claw Frame.....	6
<b>H</b>	
Hydraulic Components.....	8
Hydraulic Cylinder Components (850-042C).....	10
<b>T</b>	
Third Function Hose Kit 380-150A.....	16
Third Function Valve Kit 380-093A for Kubota B3300 & LA504.....	18
Third Function Valve Kit 380-149A for Kubota B2620 & LA364 or B2320 & LA304 or B2301 & B2601 & LA434 (Aug 2019-).....	20
Third Function Valve Kit 380-152A for Kubota L2501 L3200 L3800 L3301 L3901 L4600 & L4701.....	22
Third Function Valve Kit 380-168A for Kubota B3350 B2650 & LA534 LA534A.....	24
Third Function Valve Kit 380-354A for Kubota B2301 or B2601 & LA434 or LA435.....	26
Touch-up Paints - LP.....	14

# General Information

## Using This Manual

This manual is divided into sections. The first section contains General Information. The remaining sections divide the machine into segments (i.e. Frames, Drives, Hydraulics, etc.) which illustrate and list all parts. A Parts Number Index is located at the back of the book.

The Land Pride parts in this manual are specially designed for this machine and should be replaced with Land Pride parts only.

The information in this manual is current at time of printing. Some parts may change to assure top performance.

Right-hand and left-hand as used in this manual are determined by facing the direction the machine will travel while in use.

Below is an example of two facing pages from a parts manual. Familiarize yourself with the type of information contained on these pages.

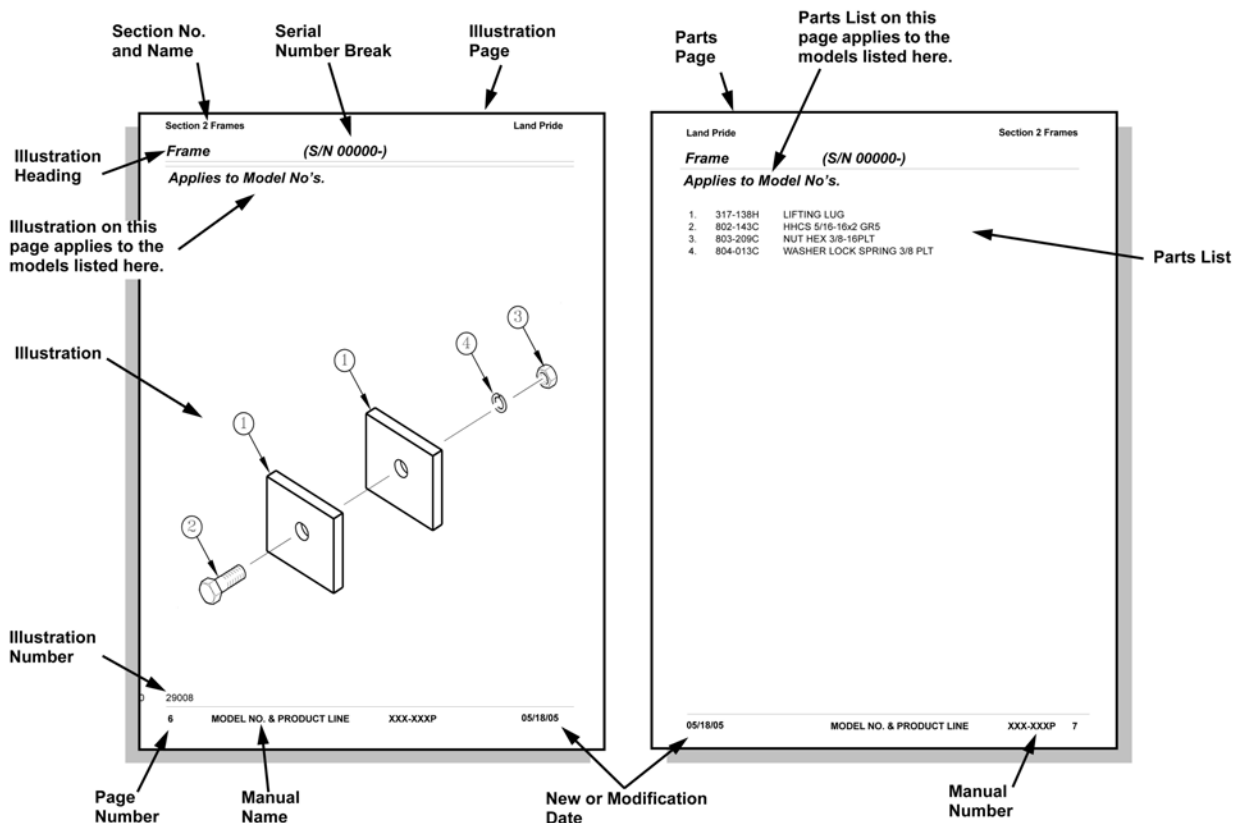
## Manual Replacement Information

Replacement manuals are available. Refer to our website at [www.landpride.com](http://www.landpride.com) or e-mail us at [lit@landpride.com](mailto:lit@landpride.com) for additional information. Our website continues to provide the most up-to-date manuals available.

## Touch-up Paint

Repaint parts where paint is worn or scratched to prevent rust. Aerosol cans and touch-up bottles with brush applicator are available through your local dealer. Also available are quart and gallon size paints. Add QT or GL to end of the Aerosol P/N.

Land Pride color descriptions and part numbers are listed on the "Land Pride Touch-up Paints" page in the "Decals" section of this book. Color options vary by product.



## General Information

### Hardware Legend

<b>AR</b>	As Required
<b>BLADE</b>	Blade Bolt
<b>C</b>	Cap Screw
<b>CP</b>	Cotter Pin
<b>CPHSSS</b>	Cup Point Hex Socket Set Screw
<b>CPSHSS</b>	Cup Point Square Head Set Screw
<b>CPSQHSS</b>	Cup Point Square Head Set Screw
<b>CRFCHMS3</b>	Cross Recess Flat Countersunk Head Machine Screw
<b>CRPHMS</b>	Cross Recess Pan Head Machine Screw
<b>CRPHTF</b>	Cross Recess Pan Head Thread Forming
<b>CRRHMS</b>	Cross Recess Round Head Machine Screw
<b>CRTHMS</b>	Cross Recess Truss Head Machine Screw
<b>CSNB</b>	Countersunk Square Neck Bolt
<b>FHMS</b>	Flat Head Machine Screw
<b>FTC</b>	Full Thread Cap Screw
<b>H</b>	Hex Nut
<b>HCLN</b>	Hex Center Lock Nut
<b>HFLCS</b>	Hex Flange Lock Cap Screw
<b>HFS</b>	Hex Flange Screw
<b>HFSLN</b>	Hex Flange Serrated Lock Nut
<b>HFSS</b>	Hex Flange Serrated Screw
<b>HHCS</b>	Hex Head Cap Screw or Metric Bolt
<b>HSBHCS</b>	Hex Socket Button Head Cap Screw
<b>HSFCHCS</b>	Hex Socket Flat Countersunk Head Cap Screw
<b>HSHCS</b>	Hex Socket Head Cap Screw
<b>HSSS</b>	Hex Socket Head Screw
<b>HTLN</b>	Hex Top Lock Nut
<b>HWHCS</b>	Hex Washer Head Cap Screw

<b>HWHMS</b>	Hex Washer Head Machine Screw
<b>HXBHCS</b>	Hex Socket Button Head Cap Screw
<b>J</b>	Hex Jam Nut
<b>JIC</b>	37 Degree Tapered Thread
<b>L</b>	Helical Spring Lock Washer
<b>LUG</b>	Lug Bolt
<b>NFC</b>	National Fine Cap Screw
<b>NPSM</b>	National Pipe Straight Mechanical
<b>NPTF</b>	National Pipe Taper Fuel
<b>P</b>	Wide Plain Washer
<b>PHMS</b>	Pan Head Machine Screw
<b>PLOW</b>	Plow Bolt
<b>RHMS</b>	Round Head Machine Screw
<b>RHSNB</b>	Round Head Square Neck Bolt
<b>SCREW LEVELING</b>	Leveling Screw
<b>SCREW THUMB</b>	Thumb Screw
<b>SCREW WELD</b>	Weld Screw
<b>SFCHMS</b>	Slotted Flat Countersunk Head Machine Screw
<b>SFHMS</b>	Slotted Fillister Head Machine Screw
<b>SP</b>	Special
<b>SP SCREW</b>	Special Screw
<b>SQHSS</b>	Square Head Set Screw
<b>SRHMS</b>	Slotted Round Head Machine Screw
<b>SSS</b>	Socket Set Screw
<b>STCS</b>	Self Tapping Cap Screw
<b>STHMS</b>	Slotted Truss Head Machine Screw
<b>WHEEL</b>	Wheel Studs and Hub Long Bolts
<b>WING</b>	Wing Bolt

### Replacement Hardware

The **Hardware Legend** above lists hardware abbreviations used in the parts list. All bolts and nuts are Grade 5 unless otherwise noted. The use of improper grades of hardware can result in personal injury, damage to equipment, or loss of property.

### Colored Replacement Parts

Land Pride offers replacement parts in factory standard colors and also on select models in Green, Orange, Red and Blue. Because of the variety of colors available, special attention must be given to the part number to prevent ordering the wrong replacement part.

A suffix number corresponding to one of the colors below must be added at the end of Land Pride's part number when ordering a replacement part with that color.

**81 . . . . . Green      83 . . . . . Red**  
**82 . . . . . Orange    84 . . . . . Blue**

For example, if you are ordering a replacement part with part number 555-555C and the part you need is red, then add the suffix 83 to the end of the number to make the part number read 555-555C83. Parts ordered without a suffix number will be supplied in factory standard colors.

### Black Replacement Parts

Some parts are factory standard black and some must be special ordered black. If your part is special ordered black, a second part number with the additional suffix number 85 on the end will be available. In this situation you must order that part with the suffix number for it to be black. Parts that are factory standard black will not have the suffix number.

### Part Number Service Coding

Within the parts list some part numbers are coded for revisions and interchangeability. See notations in revision column.

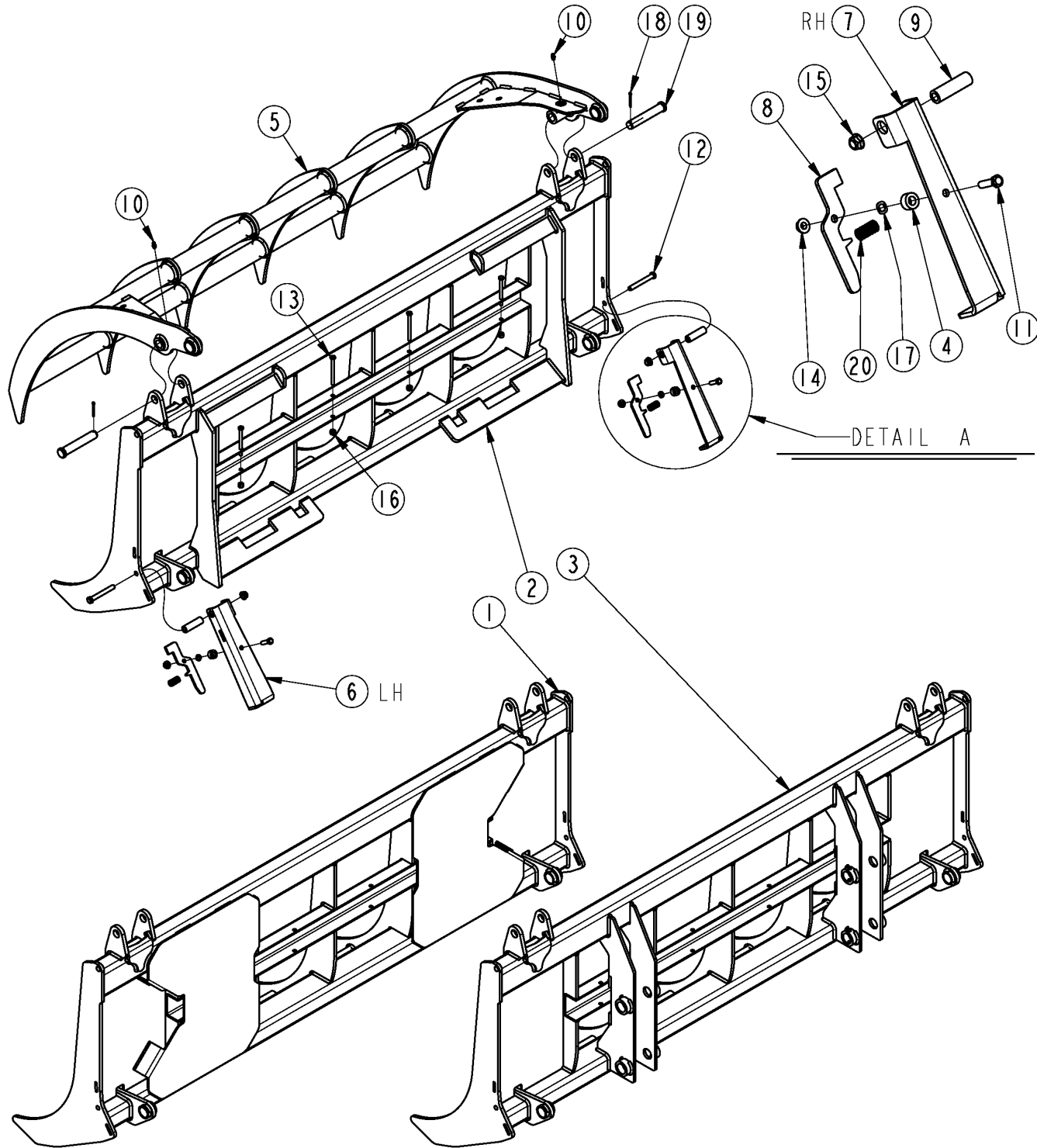
### Serial Numbers

Always use the serial and model number when ordering parts. Refer to the Operator's Manual for serial number plate location.

- |                      |  |
|----------------------|--|
| (S/N 20001+)         | Includes serial numbers 20001 and above (to the latest number)   |
| (S/N 10001 to 20000) | Includes serial numbers between and including 10001 and 20000    |
| (S/N 10000-)         | Includes serial numbers 10000 and below (to the earliest number) |

# Grapple & Claw Frame

Applies to SGC0660



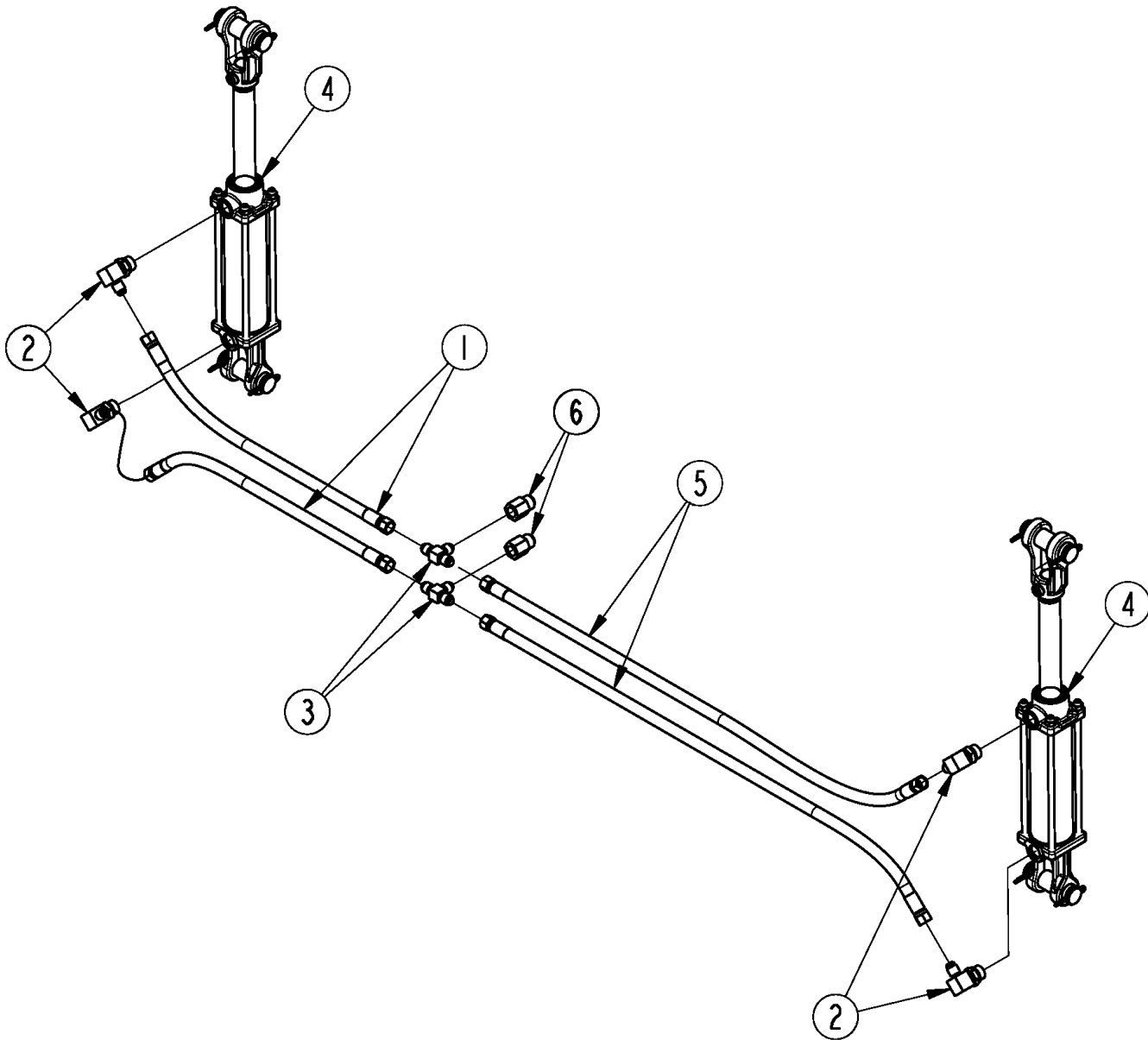
37423

**Grapple & Claw Frame****Applies to SGC0660**

<b>Ref</b>	<b>Part No.</b>	<b>Part Description</b>	<b>Comments</b>	<b>Revision</b>
	dwg 37423	Drawing Image Number		
1.	380-157H	FRAME WMT, SGC0660 BLANK BACK		
2.	380-158H	FRAME WMT, SGC0660 2 LEVR		
3.	380-159H	FRAME WMT, SGC0660 B QA		
4.	308-316D	SSB SPACER TUBE 3/4 OD X 3/8 L		
5.	380-160H	WMT, SGC0660 JAW		
6.	380-215D	STAND, LH STORAGE		
7.	380-216D	STAND, RH STORAGE		
8.	380-217D	HNDL, STORAGE STAND		
9.	380-218D	SPACER TUBE, STORAGE STAND		
10.	800-080C	GREASE ZERK 1/4-28 THD FORMING		
11.	802-010C	HHCS 5/16-18X1 1/4 GR5		
12.	802-024C	HHCS 3/8-16X3 GR5		
13.	802-274C	HHCS 1/4-20X3 GR5		
14.	803-177C	NUT HEX FLG TP LK 5/16-18ZNYCR		
15.	803-209C	NUT FLANGE LOCK 3/8-16 PLT		
16.	803-255C	NUT HEX NYLOCK 1/4-20		
17.	804-056C	WASHER WAVE SPRING 5/16		
18.	805-109C	PIN COTTER 1/8 X 1 1/4 PLT		
19.	805-228C	PIN CLVS .75X3.94 USBL		
20.	807-096C	SPRING COMP 1/2 OD X 1 LG		

# Hydraulic Components

Applies to SGC0660



37420



## ***Hydraulic Components***

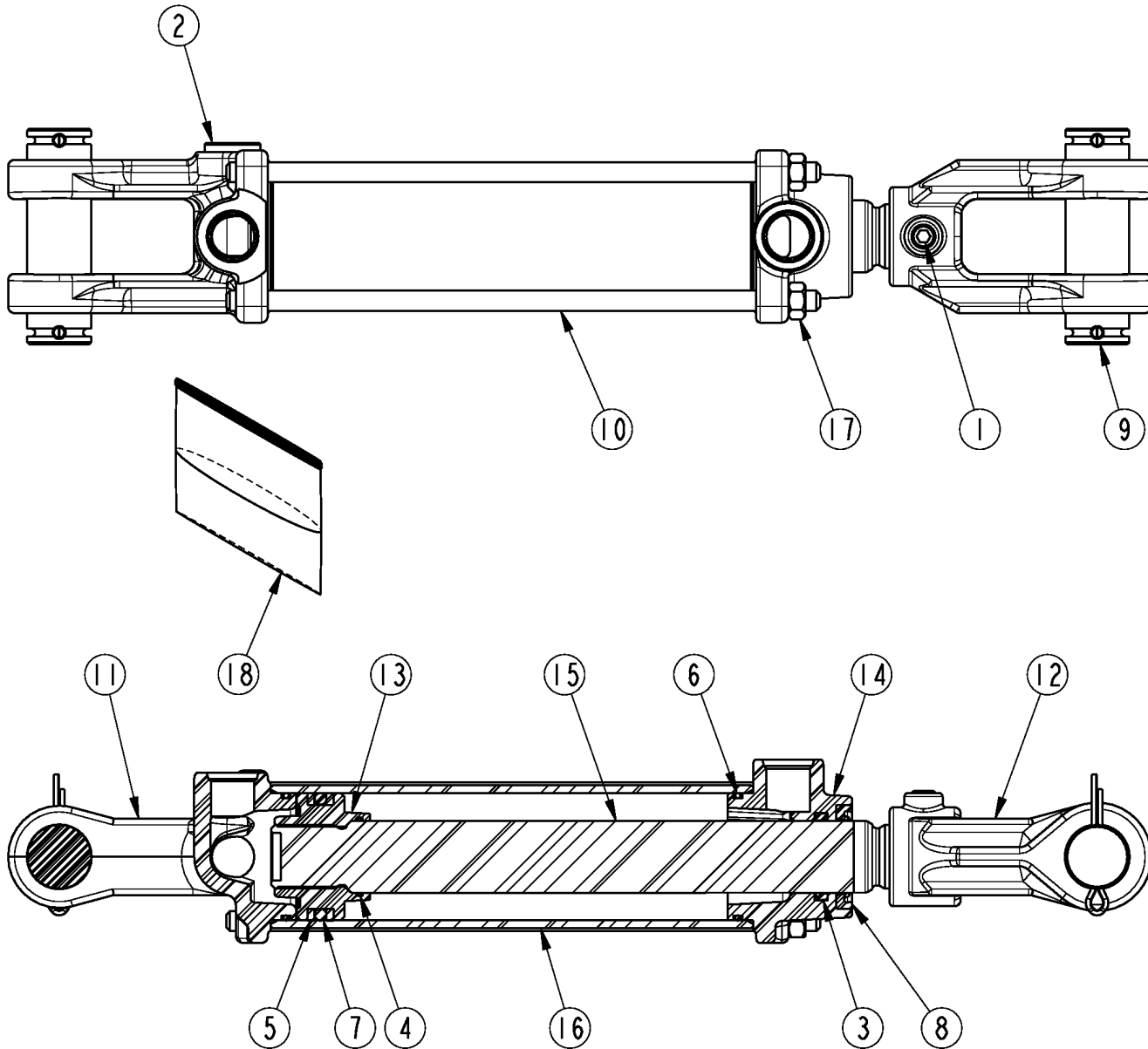
---

### **Applies to SGC0660**

<b>Ref</b>	<b>Part No.</b>	<b>Part Description</b>	<b>Comments</b>	<b>Revision</b>
	dwg37420	Drawing Image Number		
1.	811-057C	HH1/4R2 020 9/16FJIC		
2.	811-171C	EL 3/4MORB 9/16MJIC		
3.	811-312C	TE 9/16MJIC		
4.	850-042C	CYL 2X6X1.125 ROD (TIE ROD)		
5.	851-055C	HH1/4R2 035 9/16FJIC		
6.	851-300C	AD 3/4MJIC 9/16FJIC		

# Hydraulic Cylinder Components (850-042C)

Applies to SGC0660



39204

***Hydraulic Cylinder Components (850-042C)***

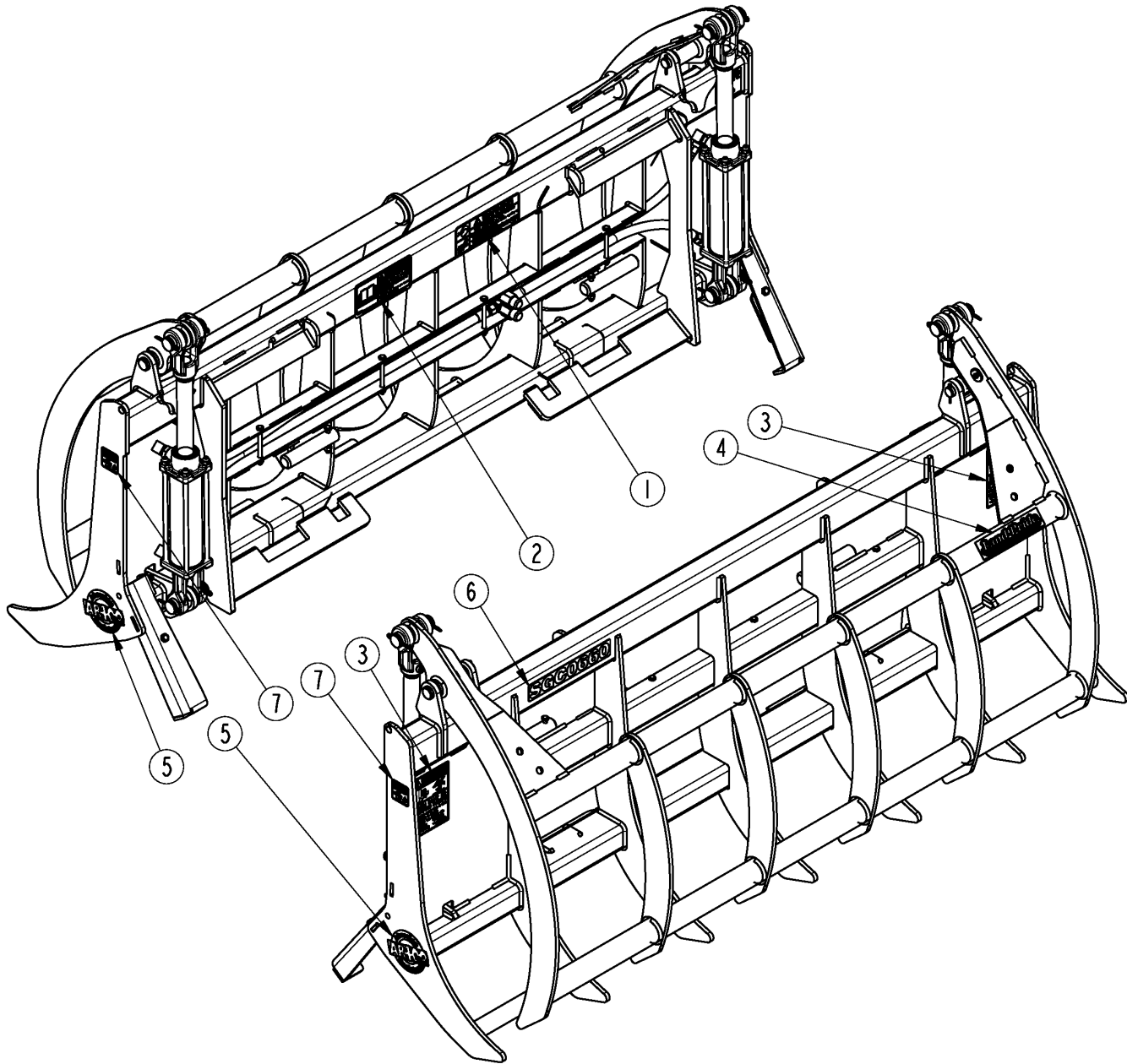
---

**Applies to SGC0660**

<b>Ref</b>	<b>Part No.</b>	<b>Part Description</b>	<b>Comments</b>	<b>Revision</b>
	Dwg 39204	Drawing Image Number		
1.	148000	MON SET SCREW 3/8INC ONE PIECE		
2.	186562	LION PLUG 3/4-16UNF SOCKET HD		
3.	194893	MON SEAL HALLITE 605 ROD 1.13		
4.	197601	RPBY 810-252C		
5.	197792	MON SEAL BU#326 19PI-326		
6.	198031	MON O-RING 133 1.812X2 BUNA D9		
7.	198090	MON O-RING 326 1.63X2 D90		
8.	199110	LION WIPER SEAL		
9.	235005	MON PIN KIT 1.00C/W COTTER PIN		
10.	292506	MON TIE ROD 5/16-06-TX		
11.	293008	MON CLEVIS CAP 2.00-3/4ORD-1.0		
12.	293009	MON ROD CLEVIS 1.00-1.00 TX		
13.	293010	MON PISTON 2.00 TX		
14.	293016	MON ROD CAP 2.00-1.13-3/4 ORB		
15.	497507	MON ROD CYL 1.12-06-1.00		
16.	498506	MON TUBE CYL 2.00-06.00-TX		
17.	803-008C	NUT HEX 5/16-18 PLT		
18.	810-883C	MON SEAL KIT 620271		

# Decal Placement

Applies to SGC0660



37424

***Decal Placement***

---

**Applies to SGC0660**

<b>Ref</b>	<b>Part No.</b>	<b>Part Description</b>	<b>Comments</b>	<b>Revision</b>
	Dwg 37424	Drawing Image Number		
1.	838-094C	DECAL WARNING HYD PRESS LONG		
2.	838-293C	DECAL WARNING READ MANUAL		
3.	838-378C	DECAL WARNING PINCH/CRUSH		
4.	838-967C	DECAL LANDPRIDE 6" BROWN/GOLD		
5.	858-108C	DECAL, AR400 STEEL		
6.	858-272C	DECAL, SGC0660 GOLD		
7.	858-765C	DECAL PIC--PINCH POINT		

***Touch-up Paints - LP***

---

Applies to SGC0660

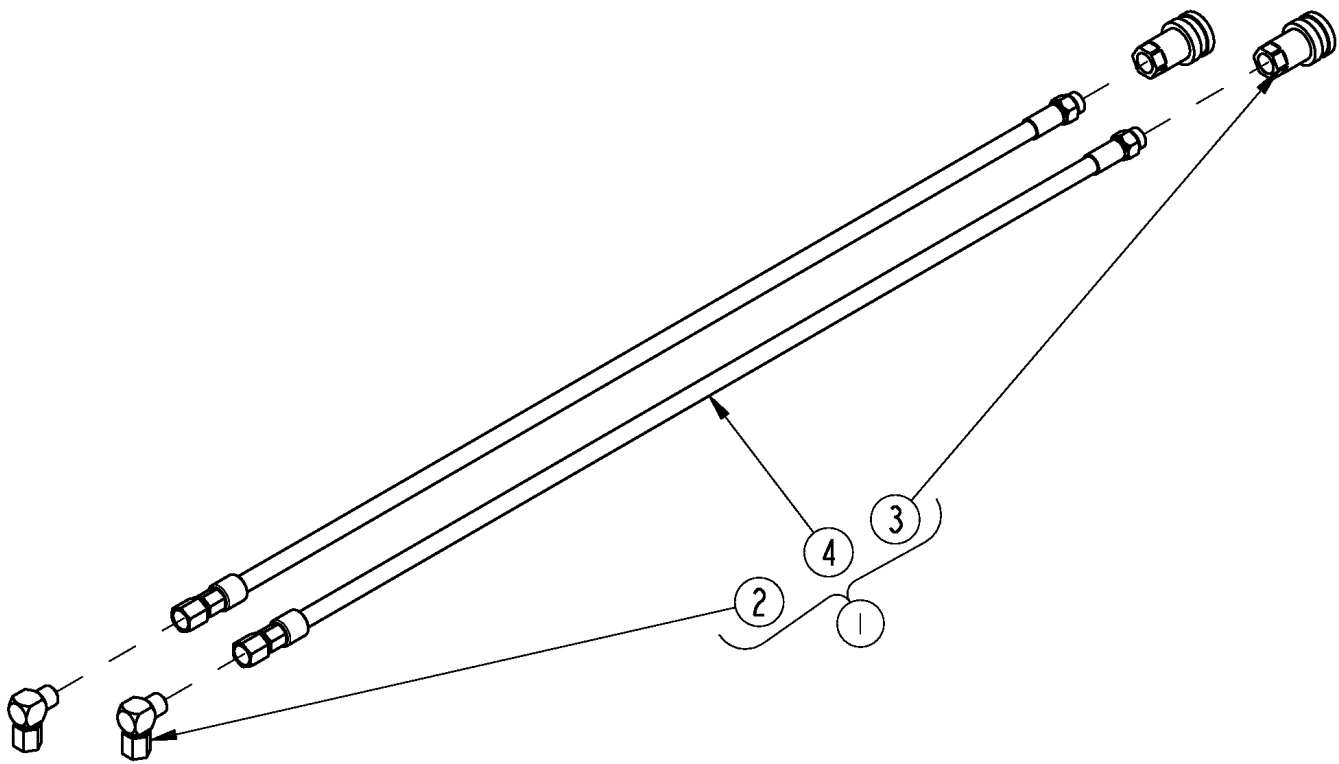
**No diagram associated with this Parts List**

**Touch-up Paints - LP****Applies to SGC0660**

<b>Ref</b>	<b>Part No.</b>	<b>Part Description</b>	<b>Comments</b>	<b>Revision</b>
1.	821-011C	LP BEIGE SPRAY CAN	Spray can	
1.	821-011CTU	LP BEIGE TOUCH-UP 5OZ	Touch-up bottle with brush	
1.	821-011CQT	LP BEIGE QUART	Quart can	
1.	821-011CGL	LP BEIGE GALLON	Gallon can	
2.	821-070C	GLOSS BLACK SPRAY CAN	Spray can	
2.	821-070CTU	GLOSS BLACK TOUCH-UP 5OZ	Touch-up bottle with brush	
2.	821-070CQT	GLOSS BLACK QUART	Quart can	
2.	821-070CGL	GLOSS BLACK GALLON	Gallon can	
3.	821-054C	MED. RED SPRAY TRCK/CTR	Spray can	
3.	821-054CTU	MED RED TOUCH-UP 5OZ	Touch-up bottle with brush	
3.	821-054CQT	MED RED QUART	Quart can	
3.	821-054CGL	MED RED GALLON	Gallon can	
4.	821-058C	GREEN SPRAY CUTTERS	Spray can	
4.	821-058CTU	GREEN TOUCH-UP 5OZ	Touch-up bottle with brush	
4.	821-058CQT	GREEN QUART	Quart can	
4.	821-058CGL	GREEN GALLON	Gallon can	
5.	821-066C	ORANGE SPRAY CAN	Spray can	
5.	821-066CTU	ORANGE TOUCH-UP 5OZ	Touch-up bottle with brush	
5.	821-066CQT	ORANGE QUART	Quart can	
5.	821-066CGL	ORANGE GALLON	Gallon can	
6.	821-067C	BLUE SPRAY CAN	Spray can	
6.	821-067CTU	BLUE TOUCH-UP 5OZ	Touch-up bottle with brush	
6.	821-067CQT	BLUE QUART	Quart can	
6.	821-067CGL	BLUE GALLON	Gallon can	
7.	821-080C	PAINT ALUMINUM/ZINC SPRAY CAN	Spray can	
7.	821-080CTU	PAINT ALUMINUM/ZINC TOUCH UP	Touch-up bottle with brush	
7.	821-080CQT	PAINT ALUMINUM/ZINC QUART	Quart can	
7.	821-080CGL	PAINT ALUMINUM/ZINC GALLON	Gallon can	

# Third Function Hose Kit 380-150A

Applies to SGC0660



37014



**Third Function Hose Kit 380-150A**

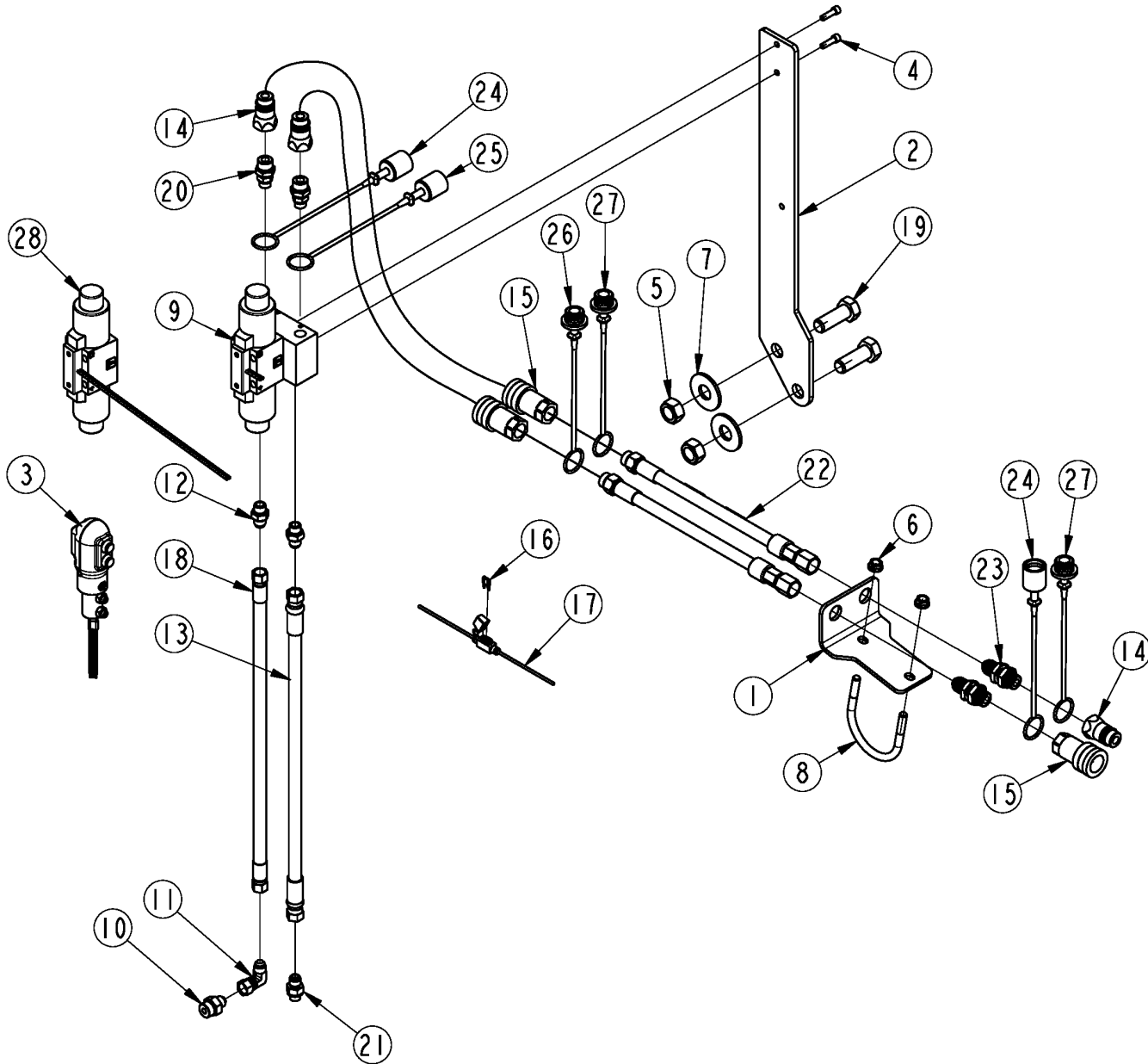
---

**Applies to SGC0660**

Ref	Part No.	Part Description	Comments	Revision
	Dwg 37014	Drawing Image Number		
1.	380-150A	HOSE KIT, THIRD FUNCTION		
2.	811-150C	EL 3/4FJIC 3/4MJIC		
3.	811-870C	CP 3/4FORB QD FEMALE (POPPET)		
4.	851-090C	HH3/8R2 044 3/4FJIC 3/4MORB		

# Third Function Valve Kit 380-093A for Kubota B3300 & LA504

Applies to SGC0660



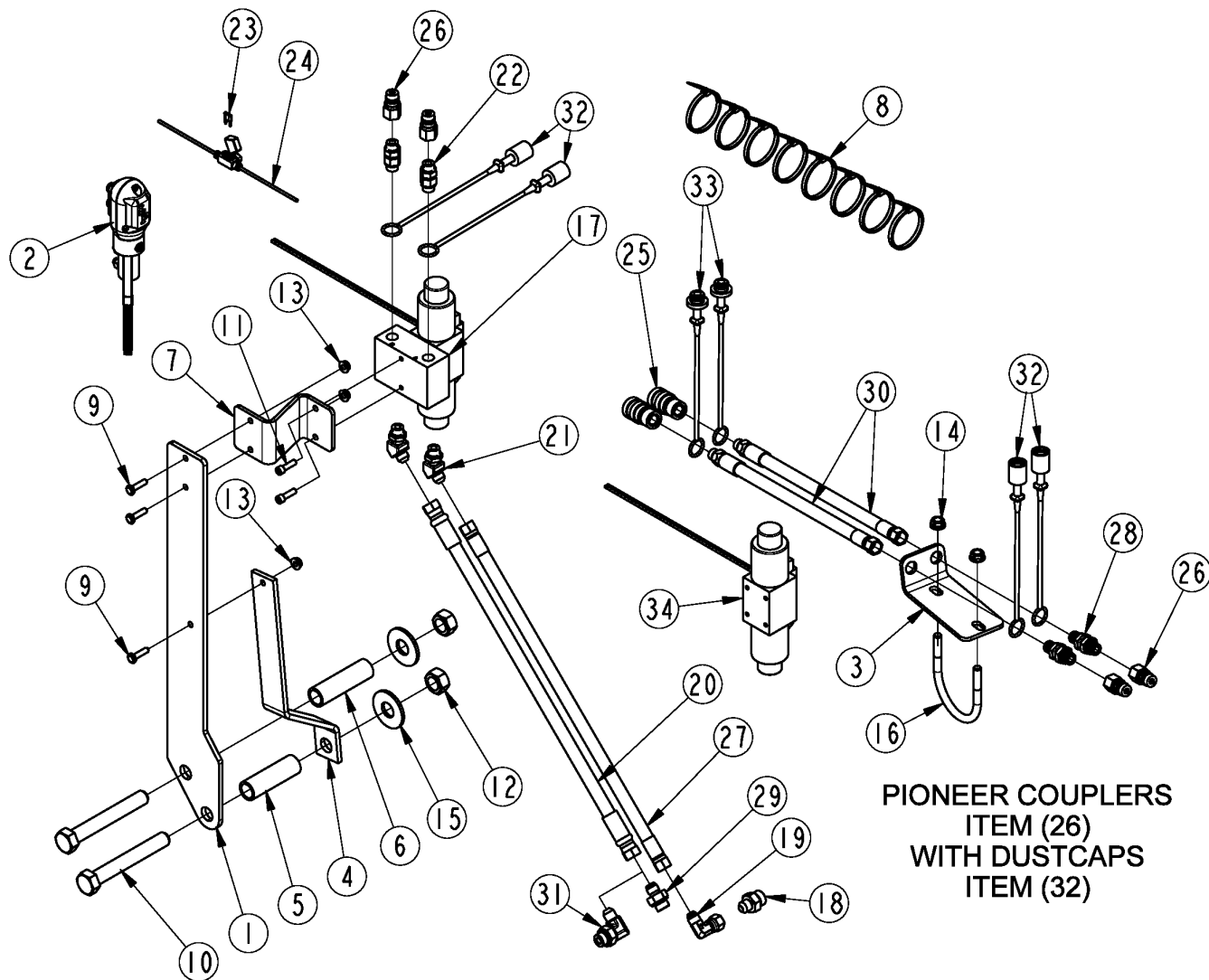
37013

**Third Function Valve Kit 380-093A for Kubota B3300 & LA504****Applies to SGC0660**

<b>Ref</b>	<b>Part No.</b>	<b>Part Description</b>	<b>Comments</b>	<b>Revision</b>
	Dwg 37013	Drawing Image Number		
	380-093A	3FVK PC B3300 *		
1.	380-164D	PLATE, BLKHD MOUNT		
2.	380-165D	PLATE, VALVE MOUNT		
3.	380-165S	ASY, PUSH BUTTON CNTRL HNDL		
4.	802-418C	HSHCS 1/4-20X7/8		
5.	803-112C	NUT HEX M18X2.5		
6.	803-198C	NUT HEX WHIZ 3/8-16 PLT		
7.	804-024C	WASHER FLAT 3/4 USS PLT		
8.	806-261C	U-BOLT 3/8-16X3X3 5/8 RND		
9.	810-926C	VALVE, THIRD FUNCTION		
10.	811-133C	AD 9/16MJIC 3/4MORB		
11.	811-169C	EL 9/16MJIC 9/16FJIC		
12.	811-170C	AD 9/16MORB 9/16MJIC		
13.	811-253C	HH3/8R2 062 9/16FJIC		
14.	811-394C	CP 3/4FORB MALE QD POPPET TYPE		
15.	811-870C	CP 3/4FORB QD FEMALE (POPPET)		
16.	833-495C	FUSE, 10 AMP MINI BLADE		
17.	833-650C	BLADE FUSE HOLDER, MINI		
18.	841-563C	HH3/8R2 048 FJIC9/16FJIC9/16		
19.	842-216C	HHCS M18X2.5X50 GR8.8 FTHD		
20.	851-084C	AD 9/16MORB 3/4MORB		
21.	851-087C	AD 9/16MJIC 1/4MBSPP		
22.	851-088C	HH3/8R2 074 3/4FJIC 3/4MORB		
23.	851-344C	AD 3/4MJIC 3/4MORB BLKHD W/ LN		
24.	861-539C	BLACK DUST CAP, 1/2" QD AG		
25.	861-540C	GREEN DUST CAP, 1/2" QD AG		
26.	861-541C	BLACK DUST PLUG, 1/2" QD AG		
27.	861-542C	GREEN DUST PLUG, 1/2" QD AG		
28.	850-472C	HYDRO-TEK VALVE REPLACEMENT	Replacement valve for 810-926C (valve only)	

**Third Function Valve Kit 380-149A for Kubota B2620 & LA364 or B2320 & LA304 or B2301 & B2601 & LA434 (Aug 2019-)**

Applies to SGC0660



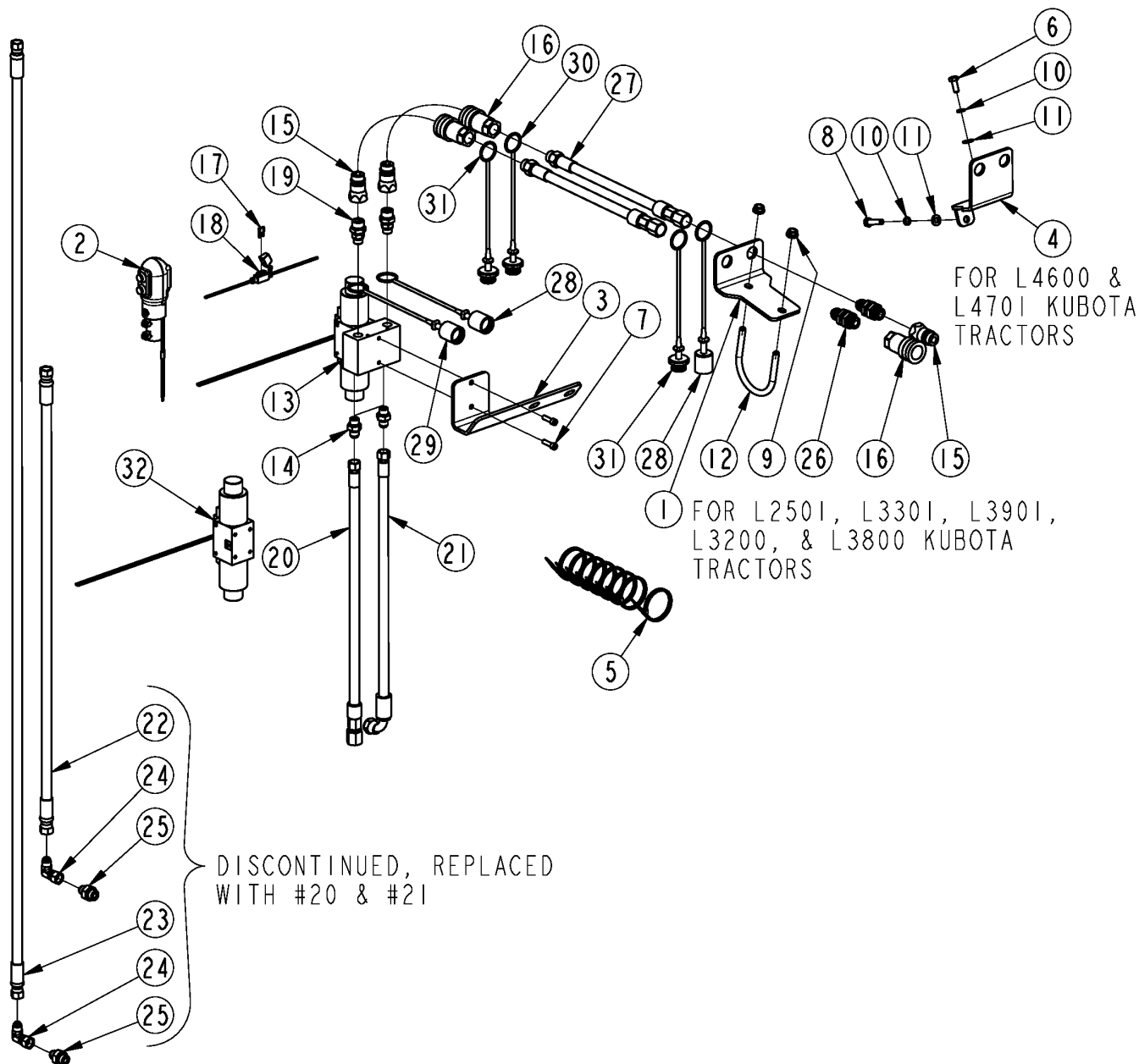
## **Third Function Valve Kit 380-149A for Kubota B2620 & LA364 or B2320 & LA304 or B2301 & B2601 & LA434 (Aug 2019-)**

Applies to SGC0660

Part No.	Part Description	Comments	Revision
Dwg 37426 380-149A	Image No. 3FVK PC B2601 *		
1.	380-165D	PLATE, VALVE MOUNT	
2.	380-165S	ASY, PUSH BUTTON CNTRL HNDL	
3.	380-223D	PLATE, BX BLKHD MOUNT	
4.	380-230D	STRAP, VALVE MNT SUPPORT	
5.	380-231D	TUBE RND DOM. 1ODX.120WLX3.22L	
6.	380-232D	TUBE RND DOM. 1ODX.120WLX3.50L	
7.	380-233D	BRKT, VALVE OFFSET	
8.	800-112C	CABLE TIE .19X7.25 1.75D 50LB	
9.	802-005C	HHCS 1/4-20X1 GR5	
10.	802-230C	HHCS M18X2.5X130 DIN933 FTHD	
11.	802-418C	HSHCS 1/4-20X7/8	
12.	803-112C	NUT HEX M18X2.5	
13.	803-194C	NUT HEX WHIZ 1/4-20 PLT	
14.	803-198C	NUT HEX WHIZ 3/8-16 PLT	
15.	804-024C	WASHER FLAT 3/4 USS PLT	
16.	806-261C	U-BOLT 3/8-16X3X3 5/8 RND	
17.	810-926C	VALVE, THIRD FUNCTION	
18.	811-133C	AD 9/16MJIC 3/4MORB	
19.	811-169C	EL 9/16MJIC 9/16FJIC	
20.	811-253C	HH3/8R2 062 9/16FJIC	
21.	811-416C	EL 45 9/16MJIC 9/16MORB	
22.	811-636C	AD 9/16MORB STRAIGHT UNION	
23.	833-495C	FUSE, 10 AMP MINI BLADE	
24.	833-650C	BLADE FUSE HOLDER, MINI	
25.	841-466C	CP 9/16FORB QD 1/4BODY FEMALE	
26.	841-467C	CP 9/16 FORB QD 1/4 BODY MALE	
27.	841-563C	HH3/8R2 048 FJIC9/16FJIC9/16	
28.	851-276C	AD 9/16MJIC9/16MORB BLKHD W/LN	
29.	851-349C	AD 9/16MJIC 3/8MBSPP	
30.	851-350C	HH1/4R2 072 9/16MORB 9/16FJIC	
31.	851-768C	EL 3/8MBSPP 9/16MJIC	For B2301 & B2601 tractors with LA434 loaders
32.	851-976C	DUST CAP, 1/4" QD AG	
33.	851-977C	DUST PLUG, 1/4" QD AG	
34.	850-472C	HYDRO-TEK VALVE REPLACEMENT	Replacement valve for 810-926C (valve only)

# Third Function Valve Kit 380-152A for Kubota L2501 L3200 L3800 L3301 L3901 L4600 & L4701

Applies to SGC0660

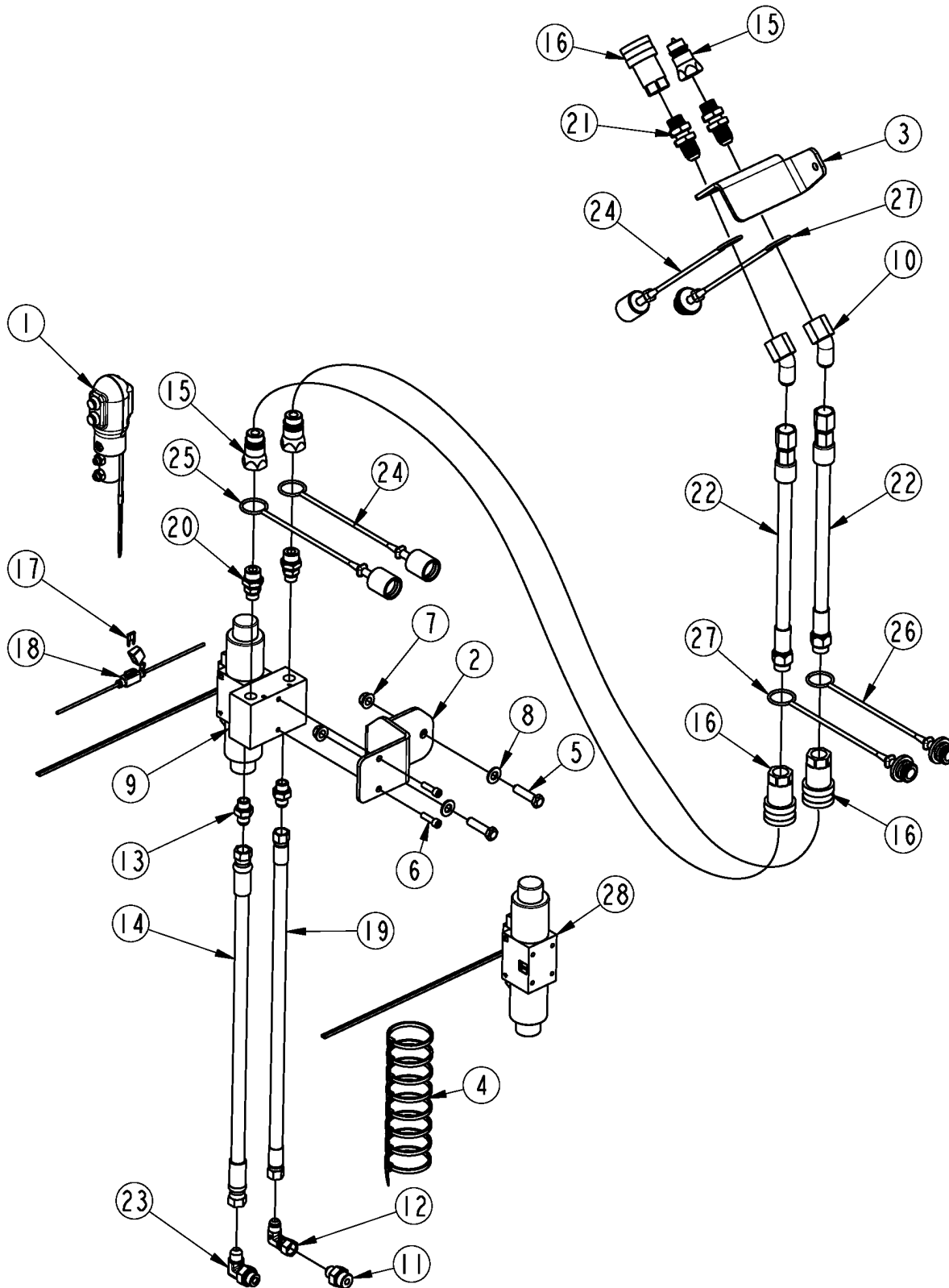


## **Third Function Valve Kit 380-152A for Kubota L2501 L3200 L3800 L3301 L3901 L4600 & L4701**

Applies to SGC0660				
Ref	Part No.	Part Description	Comments	Revision
	Dwg 37198	Image No.		
	380-152A	3FVK PC L4701 *		
1.	380-164D	PLATE, BLKHD MOUNT		
2.	380-165S	ASY, PUSH BUTTON CNTRL HNDL		
3.	380-234D	BRKT, VALVE MOUNT		
4.	380-255D	PLATE, BLKHD MOUNT		
5.	800-112C	CABLE TIE .19X7.25 1.75D 50LB		
6.	802-314C	HHCS M8X1.25X20 GR8.8		
7.	802-418C	HSHCS 1/4-20X7/8		
8.	802-967C	HHCS M8X1.25X35 GR8.8		
9.	803-198C	NUT HEX WHIZ 3/8-16 PLT		
10.	804-157C	WASHER SPRING LOCK M8 PLT		
11.	804-161C	WASHER FLAT M8 PLT		
12.	806-261C	U-BOLT 3/8-16X3X3 5/8 RND		
13.	810-926C	VALVE, THIRD FUNCTION		
14.	811-170C	AD 9/16MORB 9/16MJIC		
15.	811-394C	CP 3/4FORB MALE QD POPPET TYPE		
16.	811-870C	CP 3/4FORB QD FEMALE (POPPET)		
17.	833-495C	FUSE, 10 AMP MINI BLADE		
18.	833-650C	BLADE FUSE HOLDER, MINI		
19.	851-084C	AD 9/16MORB 3/4MORB		
20.	841-331C	HH3/8R2 035 3/4FJIC 9/16FJIC		
21.	851-490C	HH3/8R2 035 3/4FJIC90 9/16FJIC		
22.	811-701C	HH3/8R2 033 9/16FJIC		
23.	811-703C	HH3/8R2 068 9/16FJIC		
24.	811-169C	EL 9/16MJIC 9/16FJIC		
25.	851-349C	AD 9/16MJIC 3/8MBSPP		
26.	851-344C	AD 3/4MJIC 3/4MORB BLKHD W/ LN		
27.	851-376C	HH3/8R2 086 3/4FJIC 3/4MORB		
28.	861-539C	DUST CAP, 1/2" QD AG		
29.	861-540C	DUST PLUG, 1/2" QD AG		
30.	861-541C	BLACK DUST PLUG, 1/2" QD AG		
31.	861-542C	GREEN DUST PLUG, 1/2" QD AG		
32.	850-472C	HYDRO-TEK VALVE REPLACEMENT	Replacement valve for 810-926C (valve only)	

**Third Function Valve Kit 380-168A for Kubota B3350 B2650 & LA534 LA534A**

Applies to SGC0660



37632

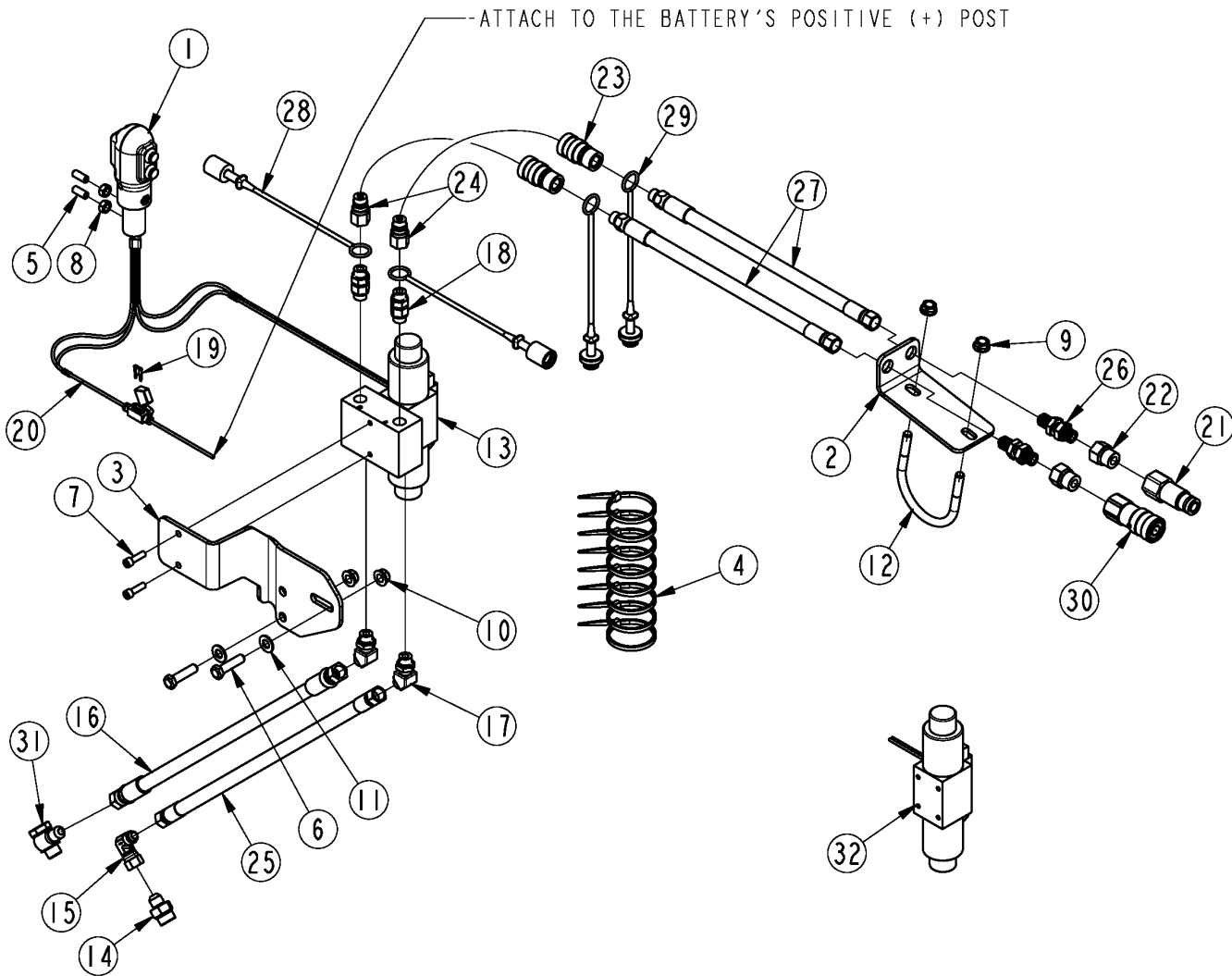


**Third Function Valve Kit 380-168A for Kubota B3350 B2650 & LA534 LA534A****Applies to SGC0660**

Ref	Part No.	Part Description	Comments	Revision
	Dwg 37632 380-168A	Image No. 3FVK PC B3350 *		
1.	380-165S	ASY, PUSH BUTTON CNTRL HNDL		
2.	380-256D	BRKT, VALVE MOUNT		
3.	380-257D	PLATE, BLKHD MOUNT		
4.	800-112C	CABLE TIE .19X7.25 1.75D 50LB		
5.	802-022C	HHCS 3/8-16X1 1/2 GR5		
6.	802-418C	HSHCS 1/4-20X7/8		
7.	803-209C	NUT FLANGE LOCK 3/8-16 PLT		
8.	804-012C	WASHER FLAT 3/8 SAE PLT		
9.	810-926C	VALVE, THIRD FUNCTION		
10.	811-040C	EL 45 3/4MJIC 3/4FJIC		
11.	811-133C	AD 9/16MJIC 3/4MORB		
12.	811-169C	EL 9/16MJIC 9/16FJIC		
13.	811-170C	AD 9/16MORB 9/16MJIC		
14.	811-253C	HH3/8R2 062 9/16FJIC		
15.	811-394C	CP 3/4FORB MALE QD POPPET TYPE		
16.	811-870C	CP 3/4FORB QD FEMALE (POPPET)		
17.	833-495C	FUSE, 10 AMP MINI BLADE		
18.	833-650C	BLADE FUSE HOLDER, MINI		
19.	841-563C	HH3/8R2 048 FJIC9/16FJIC9/16		
20.	851-084C	AD 9/16MORB 3/4MORB		
21.	851-344C	AD 3/4MJIC 3/4MORB BLKHD W/ LN		
22.	851-376C	HH3/8R2 086 3/4FJIC 3/4MORB		
23.	851-768C	EL 3/8MBSPP 9/16MJIC		
24.	861-539C	BLACK DUST CAP, 1/2" QD AG		
25.	861-540C	DUST PLUG, 1/2" QD AG		
26.	861-541C	GREEN DUST CAP, 1/2" QD AG		
27.	861-542C	BLACK DUST PLUG, 1/2" QD AG		
28.	850-472C	HYDRO-TEK VALVE REPLACEMENT	Replacement valve for 810-926C (valve only)	

**Third Function Valve Kit 380-354A for Kubota B2301 or B2601 & LA434 or LA435**

Applies to SGC0660



76238

**Third Function Valve Kit 380-354A for Kubota B2301 or B2601 & LA434 or LA435**

Applies to SGC0660

Part No.	Part Description	Comments	Revision
DWG 76238	Image No.		
380-354A	3FVK FF B2601, B2301 *		
1. 380-165S	ASY, PUSH BUTTON CNTRL HNDL		
2. 380-223D	PLATE, BX BLKHD MOUNT		
3. 380-256D	BRKT, VALVE MOUNT		
4. 800-112C	CABLE TIE .19X7.25 1.75D 50LB		
5. 801-204C	SCREW SET SCKT HD 5/16-18X3/4		
6. 802-022C	HHCS 3/8-16X1 1/2 GR5		
7. 802-418C	HSHCS 1/4-20X7/8		
8. 803-008C	NUT HEX 5/16-18 PLT		
9. 803-198C	NUT HEX WHIZ 3/8-16 PLT		
10. 803-209C	NUT FLANGE LOCK 3/8-16 PLT		
11. 804-012C	WASHER FLAT 3/8 SAE PLT		
12. 806-261C	U-BOLT 3/8-16X3X3 5/8 RND		
13. 810-926C	VALVE, THIRD FUNCTION		
14. 811-133C	AD 9/16MJIC 3/4MORB		
15. 811-169C	EL 9/16MJIC 9/16FJIC		
16. 811-253C	HH3/8R2 062 9/16FJIC		
17. 811-416C	EL 45 9/16MJIC 9/16MORB		
18. 811-636C	AD 9/16MORB STRAIGHT UNION		
19. 833-495C	FUSE, 10 AMP MINI BLADE		
20. 833-650C	BLADE FUSE HOLDER, MINI		
21. 841-099C	CP 3/4FORB QD FLATFACE		
22. 841-103C	AD 3/4MORB 9/16FORB		
23. 841-466C	CP 9/16FORB QD 1/4BODY FEMALE		
24. 841-467C	CP 9/16 FORB QD 1/4 BODY MALE		
25. 841-563C	HH3/8R2 048 9/16FJIC		
26. 851-276C	AD 9/16MJIC9/16MORB BLKHD W/LN		
27. 851-350C	HH1/4R2 072 9/16MORB 9/16FJIC		
28. 851-976C	DUST CAP, 1/4" QD AG		
29. 851-977C	DUST PLUG, 1/4" QD AG		
30. 861-543C	CP 3/4FORB QD FML FLATFACE		
31. 871-106C	AD BANJO 3/8 MBSPP - 9/16 MJIC		
32. 850-472C	HYDRO-TEK VALVE REPLACEMENT		



# Part Number Index

The Part Number Index is a numeric index of all part numbers included in this manual. The index shows what page(s) the part is used on.

<u>Part Number</u>	<u>Page</u>	<u>Part Number</u>	<u>Page</u>	<u>Part Number</u>	<u>Page</u>
148000	11	807-096C	7	851-350C	21, 27
186562	11	810-883C	11	851-376C	23, 25
194893	11	810-926C	19, 21, 23, 25, 27	851-490C	23
197601	11	811-040C	25	851-768C	21, 25
197792	11	811-057C	9	851-976C	21, 27
198031	11	811-133C	19, 21, 25, 27	851-977C	21, 27
198090	11	811-150C	17	858-108C	13
199110	11	811-169C	19, 21, 23, 25, 27	858-272C	13
235005	11	811-170C	19, 23, 25	858-765C	13
292506	11	811-171C	9	861-539C	19, 23, 25
293008	11	811-253C	19, 21, 25, 27	861-540C	19, 23, 25
293009	11	811-312C	9	861-541C	19, 23, 25
293010	11	811-394C	19, 23, 25	861-542C	19, 23, 25
293016	11	811-416C	21, 27	861-543C	27
308-316D	7	811-636C	21, 27	871-106C	27
380-093A	19	811-701C	23	Dwg 37013	19
380-149A	21	811-703C	23	Dwg 37014	17
380-150A	17	811-870C	17, 19, 23, 25	Dwg 37198	23
380-152A	23	821-011C	15	dwg 37423	7
380-157H	7	821-011CGL	15	Dwg 37424	13
380-158H	7	821-011CQT	15	Dwg 37426	21
380-159H	7	821-011CTU	15	Dwg 37632	25
380-160H	7	821-054C	15	Dwg 39204	11
380-164D	19, 23	821-054CGL	15	DWG 76238	27
380-165D	19, 21	821-054CQT	15	dwg37420	9
380-165S	19, 21, 23, 25, 27	821-054CTU	15		
380-168A	25	821-058C	15		
380-215D	7	821-058CGL	15		
380-216D	7	821-058CQT	15		
380-217D	7	821-058CTU	15		
380-218D	7	821-066C	15		
380-223D	21, 27	821-066CGL	15		
380-230D	21	821-066CQT	15		
380-231D	21	821-066CTU	15		
380-232D	21	821-067C	15		
380-233D	21	821-067CGL	15		
380-234D	23	821-067CQT	15		
380-255D	23	821-067CTU	15		
380-256D	25, 27	821-070C	15		
380-257D	25	821-070CGL	15		
380-354A	27	821-070CQT	15		
497507	11	821-070CTU	15		
498506	11	821-080C	15		
800-080C	7	821-080CGL	15		
800-112C	21, 23, 25, 27	821-080CQT	15		
801-204C	27	821-080CTU	15		
802-005C	21	833-495C	19, 21, 23, 25, 27		
802-010C	7	833-650C	19, 21, 23, 25, 27		
802-022C	25, 27	838-094C	13		
802-024C	7	838-293C	13		
802-230C	21	838-378C	13		
802-274C	7	838-967C	13		
802-314C	23	841-099C	27		
802-418C	19, 21, 23, 25, 27	841-103C	27		
802-967C	23	841-331C	23		
803-008C	11, 27	841-466C	21, 27		
803-112C	19, 21	841-467C	21, 27		
803-177C	7	841-563C	19, 21, 25, 27		
803-194C	21	842-216C	19		
803-198C	19, 21, 23, 27	850-042C	9		
803-209C	7, 25, 27	850-472C	19, 21, 23, 25, 27		
803-255C	7	851-055C	9		
804-012C	25, 27	851-084C	19, 23, 25		
804-024C	19, 21	851-087C	19		
804-056C	7	851-088C	19		
804-157C	23	851-090C	17		
804-161C	23	851-276C	21, 27		
805-109C	7	851-300C	9		
805-228C	7	851-344C	19, 23, 25		
806-261C	19, 21, 23, 27	851-349C	21, 23		

*This Page Intentionally Left Blank*



Great Plains Manufacturing, Inc.

Corporate Office: P.O. Box 5060  
Salina, Kansas 67402-5060 USA

[www.landpride.com](http://www.landpride.com)

---