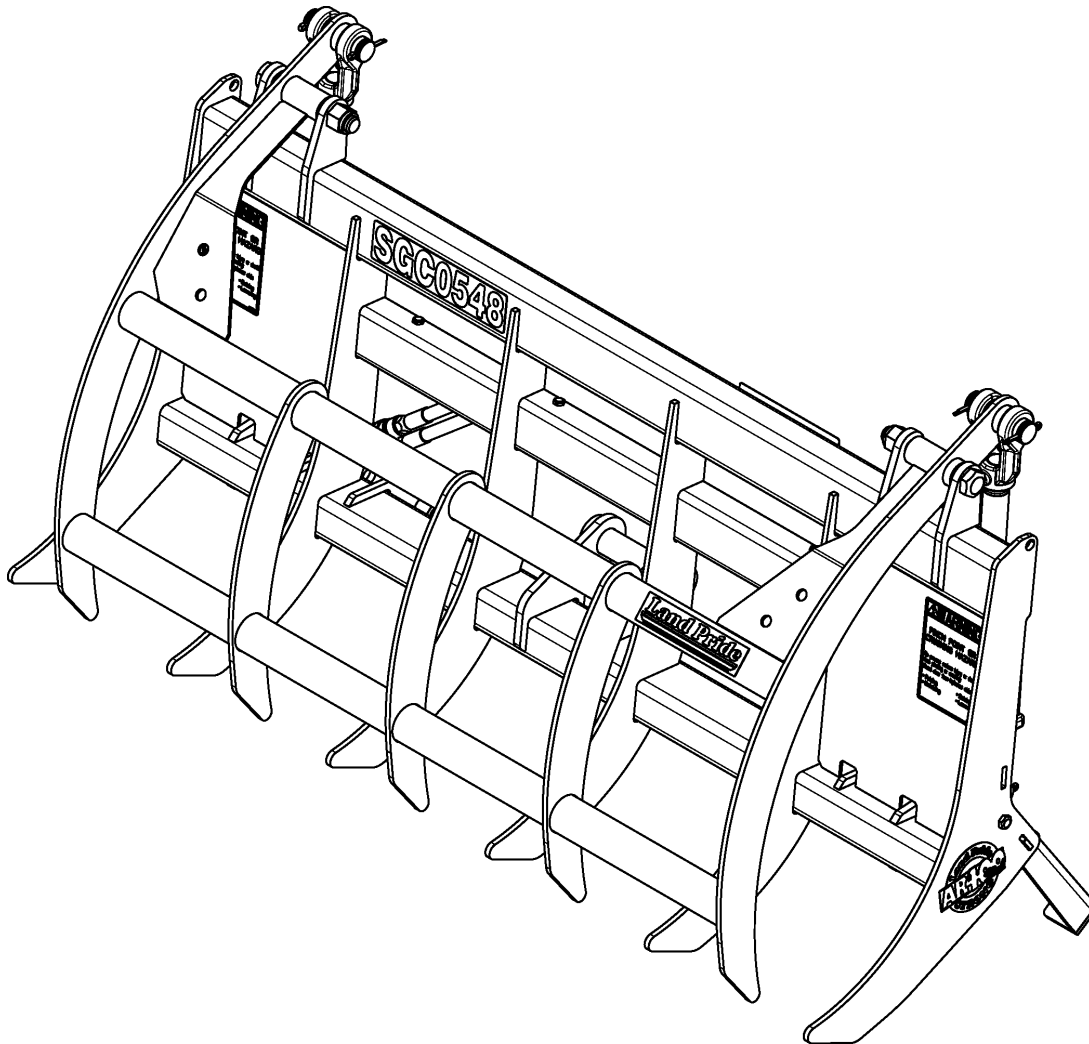


Grapples

SGC0548



35815

380-138P
Parts Manual



Read the Operator's Manual entirely. When you see this symbol, the subsequent instructions and warnings are serious - follow without exception. Your life and the lives of others depend on it!

© Copyright 2020 Printed 04/28/20

Cover photo may show optional equipment not supplied with standard unit.





Table of Contents

Section 1: Introduction.....	4
Using This Manual.....	4
Manual Replacement Information.....	4
Manual Revisions.....	4
Touch-up Paint.....	4
Hardware Legend.....	5
Replacement Hardware.....	5
Serial Numbers.....	5
Part Number Service Coding.....	5
Section 2: Main Assembly.....	6
Grapple & Claw Frame Components.....	6
Hydraulic Components.....	8
Hydraulic Cylinder (810-961C).....	10
Section 3: Options & Accessories.....	12
BX Loader Attachment Pin Kit.....	12
BX80 Loader Arm Pin Kit.....	14
Kubota 3rd Function Hoses.....	16
Kubota 3rd Function Valve Couplers.....	18
Land Pride 3rd Function Hoses.....	20
Third Function Valve Kit 380-137A for BX60 & BX70 (Aug 2019-).....	22
Third Function Valve Kit 380-289A for BX80 (Aug 2019-).....	24
Section 4: Decals.....	26
Decal Placement.....	26
Touch-up Paints - LP.....	28
Part Number Index.....	30

© Copyright 2020. All rights reserved.

Land Pride provides this publication “as is” without warranty of any kind, either expressed or implied. While every precaution has been taken in the preparation of this manual, Land Pride assumes no responsibility for errors or omissions. Neither is any liability assumed for damages resulting from the use of the information contained herein. Land Pride reserves the right to revise and improve its products as it sees fit. This publication describes the state of this product at the time of its publication, and may not reflect the product in the future. The illustrations in this manual are not intended for safe and proper assembly or disassembly of equipment. The illustrations are intended for ordering parts only.

Land Pride is registered trademark.

All other brands and product names are trademarks or registered trademarks of their respective holders.

Printed in the United States of America.



Alphabetized Table of Contents

B	
	BX Loader Attachment Pin Kit.....12
	BX80 Loader Arm Pin Kit.....14
D	
	Decal Placement.....26
G	
	Grapple & Claw Frame Components.....6
H	
	Hydraulic Components.....8
	Hydraulic Cylinder (810-961C).....10
K	
	Kubota 3rd Function Hoses.....16
	Kubota 3rd Function Valve Couplers.....18
L	
	Land Pride 3rd Function Hoses.....20
T	
	Third Function Valve Kit 380-137A for BX60 & BX70 (Aug 2019-).....22
	Third Function Valve Kit 380-289A for BX80 (Aug 2019-).....24
	Touch-up Paints - LP.....28

General Information

Using This Manual

This manual is divided into sections. The first section contains General Information. The remaining sections divide the machine into segments (i.e. Frames, Drives, Hydraulics, etc.) which illustrate and list all parts. A Parts Number Index is located at the back of the book.

The Land Pride parts in this manual are specially designed for this machine and should be replaced with Land Pride parts only.

The information in this manual is current at time of printing. Some parts may change to assure top performance.

Right-hand and left-hand as used in this manual are determined by facing the direction the machine will travel while in use.

Below is an example of two facing pages from a parts manual. Familiarize yourself with the type of information contained on these pages.

Manual Replacement Information

Replacement manuals are available. Refer to our website at www.landpride.com or e-mail us at lit@landpride.com for additional information. Our website continues to provide the most up-to-date manuals available.

Touch-up Paint

Repaint parts where paint is worn or scratched to prevent rust. Aerosol cans and touch-up bottles with brush applicator are available through your local dealer. Also available are quart and gallon size paints. Add QT or GL to end of the Aerosol P/N.

Land Pride color descriptions and part numbers are listed on the "Land Pride Touch-up Paints" page in the "Decals" section of this book. Color options vary by product.



General Information

Hardware Legend

AR	As Required
BLADE	Blade Bolt
C	Cap Screw
CP	Cotter Pin
CPHSSS	Cup Point Hex Socket Set Screw
CPSHSS	Cup Point Square Head Set Screw
CPSQHSS	Cup Point Square Head Set Screw
CRFCHMS3	Cross Recess Flat Countersunk Head Machine Screw
CRPHMS	Cross Recess Pan Head Machine Screw
CRPHTF	Cross Recess Pan Head Thread Forming
CRRHMS	Cross Recess Round Head Machine Screw
CRTHMS	Cross Recess Truss Head Machine Screw
CSNB	Countersunk Square Neck Bolt
FHMS	Flat Head Machine Screw
FTC	Full Thread Cap Screw
H	Hex Nut
HCLN	Hex Center Lock Nut
HFLCS	Hex Flange Lock Cap Screw
HFS	Hex Flange Screw
HFSLN	Hex Flange Serrated Lock Nut
HFSS	Hex Flange Serrated Screw
HHCS	Hex Head Cap Screw or Metric Bolt
HSBHCS	Hex Socket Button Head Cap Screw
HSFCHCS	Hex Socket Flat Countersunk Head Cap Screw
HSHCS	Hex Socket Head Cap Screw
HSSS	Hex Socket Head Screw
HTLN	Hex Top Lock Nut
HWHCS	Hex Washer Head Cap Screw

HWHMS	Hex Washer Head Machine Screw
HXBHCS	Hex Socket Button Head Cap Screw
J	Hex Jam Nut
JIC	37 Degree Tapered Thread
L	Helical Spring Lock Washer
LUG	Lug Bolt
NFC	National Fine Cap Screw
NPSM	National Pipe Straight Mechanical
NPTF	National Pipe Taper Fuel
P	Wide Plain Washer
PHMS	Pan Head Machine Screw
PLOW	Plow Bolt
RHMS	Round Head Machine Screw
RHSNB	Round Head Square Neck Bolt
SCREW LEVELING	Leveling Screw
SCREW THUMB	Thumb Screw
SCREW WELD	Weld Screw
SFCHMS	Slotted Flat Countersunk Head Machine Screw
SFHMS	Slotted Fillister Head Machine Screw
SP	Special
SP SCREW	Special Screw
SQHSS	Square Head Set Screw
SRHMS	Slotted Round Head Machine Screw
SSS	Socket Set Screw
STCS	Self Tapping Cap Screw
STHMS	Slotted Truss Head Machine Screw
WHEEL	Wheel Studs and Hub Long Bolts
WING	Wing Bolt

Replacement Hardware

The **Hardware Legend** above lists hardware abbreviations used in the parts list. All bolts and nuts are Grade 5 unless otherwise noted. The use of improper grades of hardware can result in personal injury, damage to equipment, or loss of property.

Colored Replacement Parts

Land Pride offers replacement parts in factory standard colors and also on select models in Green, Orange, Red and Blue. Because of the variety of colors available, special attention must be given to the part number to prevent ordering the wrong replacement part.

A suffix number corresponding to one of the colors below must be added at the end of Land Pride's part number when ordering a replacement part with that color.

81 Green 83 Red
82 Orange 84 Blue

For example, if you are ordering a replacement part with part number 555-555C and the part you need is red, then add the suffix 83 to the end of the number to make the part number read 555-555C83. Parts ordered without a suffix number will be supplied in factory standard colors.

Black Replacement Parts

Some parts are factory standard black and some must be special ordered black. If your part is special ordered black, a second part number with the additional suffix number 85 on the end will be available. In this situation you must order that part with the suffix number for it to be black. Parts that are factory standard black will not have the suffix number.

Part Number Service Coding

Within the parts list some part numbers are coded for revisions and interchangeability. See notations in revision column.

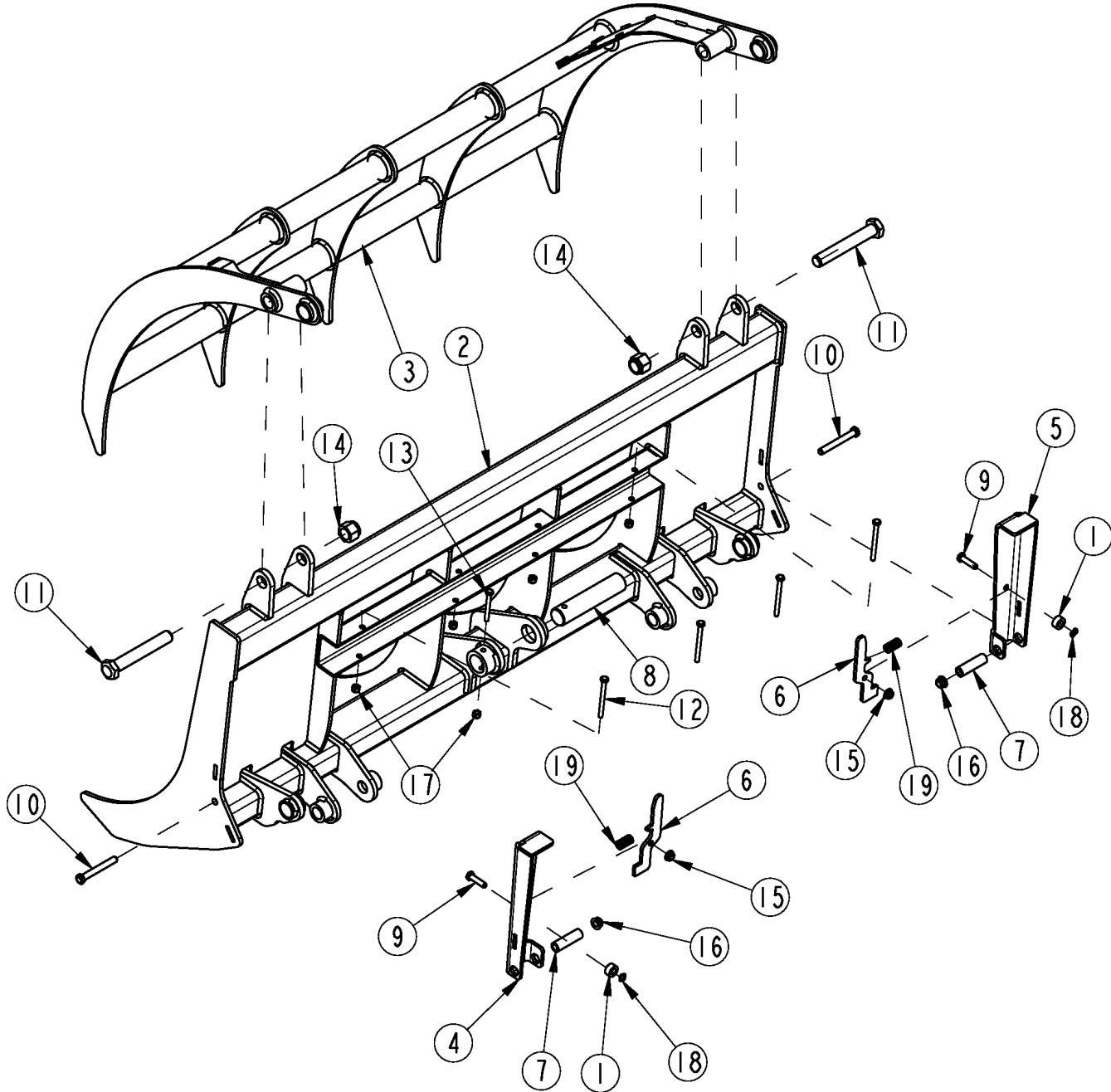
Serial Numbers

Always use the serial and model number when ordering parts. Refer to the Operator's Manual for serial number plate location.

- | | |
|----------------------|--|
| (S/N 20001+) | Includes serial numbers 20001 and above (to the latest number) |
| (S/N 10001 to 20000) | Includes serial numbers between and including 10001 and 20000 |
| (S/N 10000-) | Includes serial numbers 10000 and below (to the earliest number) |

Grapple & Claw Frame Components

Applies to SGC0548



35816

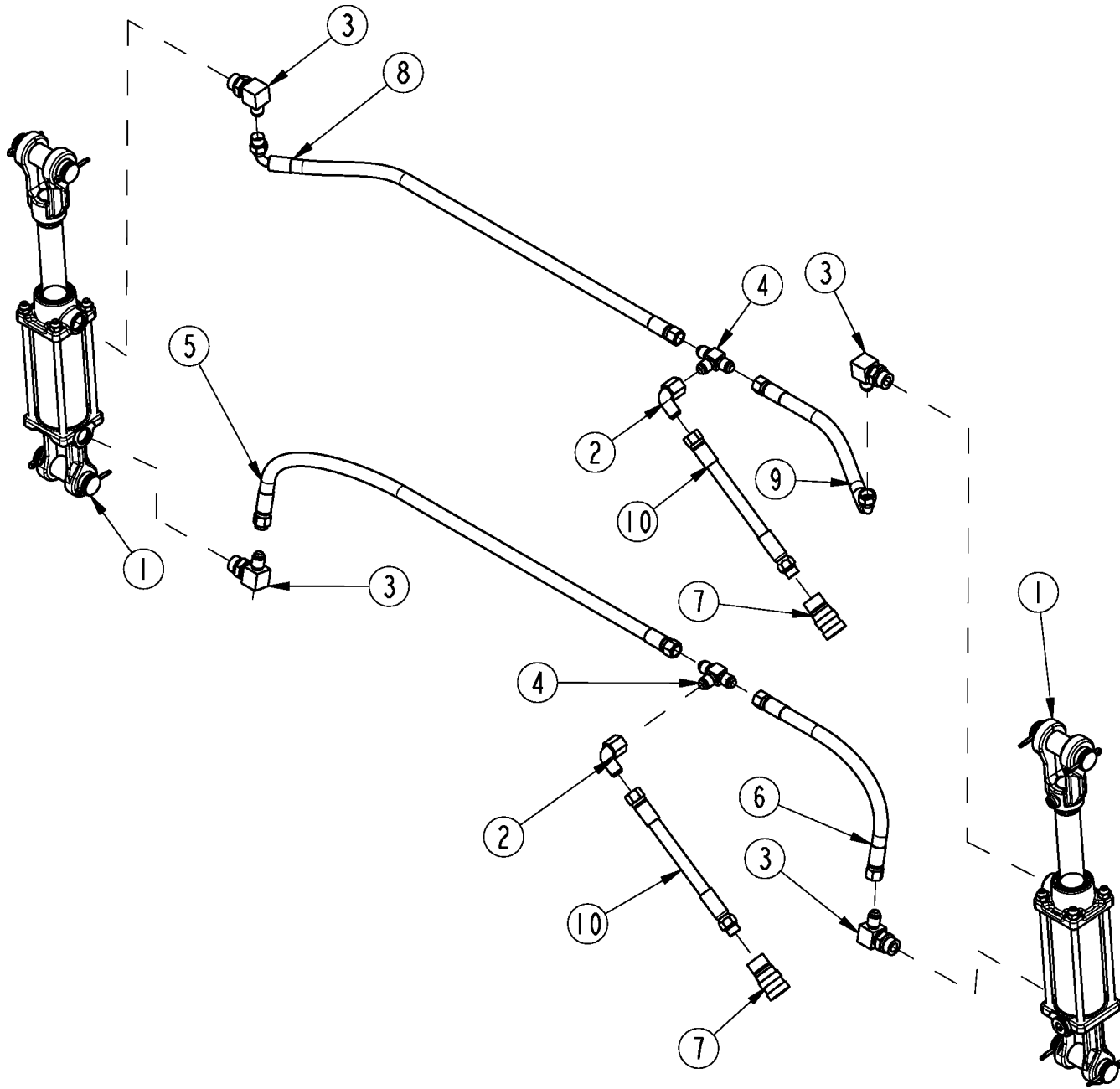
Grapple & Claw Frame Components

Applies to SGC0548

Ref	Part No.	Part Description	Comments	Revision
	dwg35816	Drawing Image Number		
1.	308-316D	SSB SPACER TUBE 3/4 OD X 3/8 L		
2.	380-120H	WMT, SGC0548 FRAME		
3.	380-121H	WMT, SGC0548 JAW		
4.	380-215D	STAND, LH STORAGE		
5.	380-216D	STAND, RH STORAGE		
6.	380-217D	HNDL, STORAGE STAND		
7.	380-218D	SPACER TUBE, STORAGE STAND		
8.	380-222D	PIN, CTR PIVOT		
9.	802-010C	HHCS 5/16-18X1 1/4 GR5		
10.	802-024C	HHCS 3/8-16X3 GR5		
11.	802-069C	HHCS 3/4-10X5 GR5		
12.	802-274C	HHCS 1/4-20X3 GR5		
13.	802-551C	HHCS 1/4-20X2 1/4 GR5		
14.	803-025C	NUT HEX 3/4-10 PLT NYLOCK		
15.	803-177C	NUT HEX FLG TP LK 5/16-18ZNYCR		
16.	803-209C	NUT FLANGE LOCK 3/8-16 PLT		
17.	803-255C	NUT HEX NYLOCK 1/4-20		
18.	804-056C	WASHER WAVE SPRING 5/16		
19.	807-096C	SPRING COMP 1/2 OD X 1 LG		

Hydraulic Components

Applies to SGC0548



35821

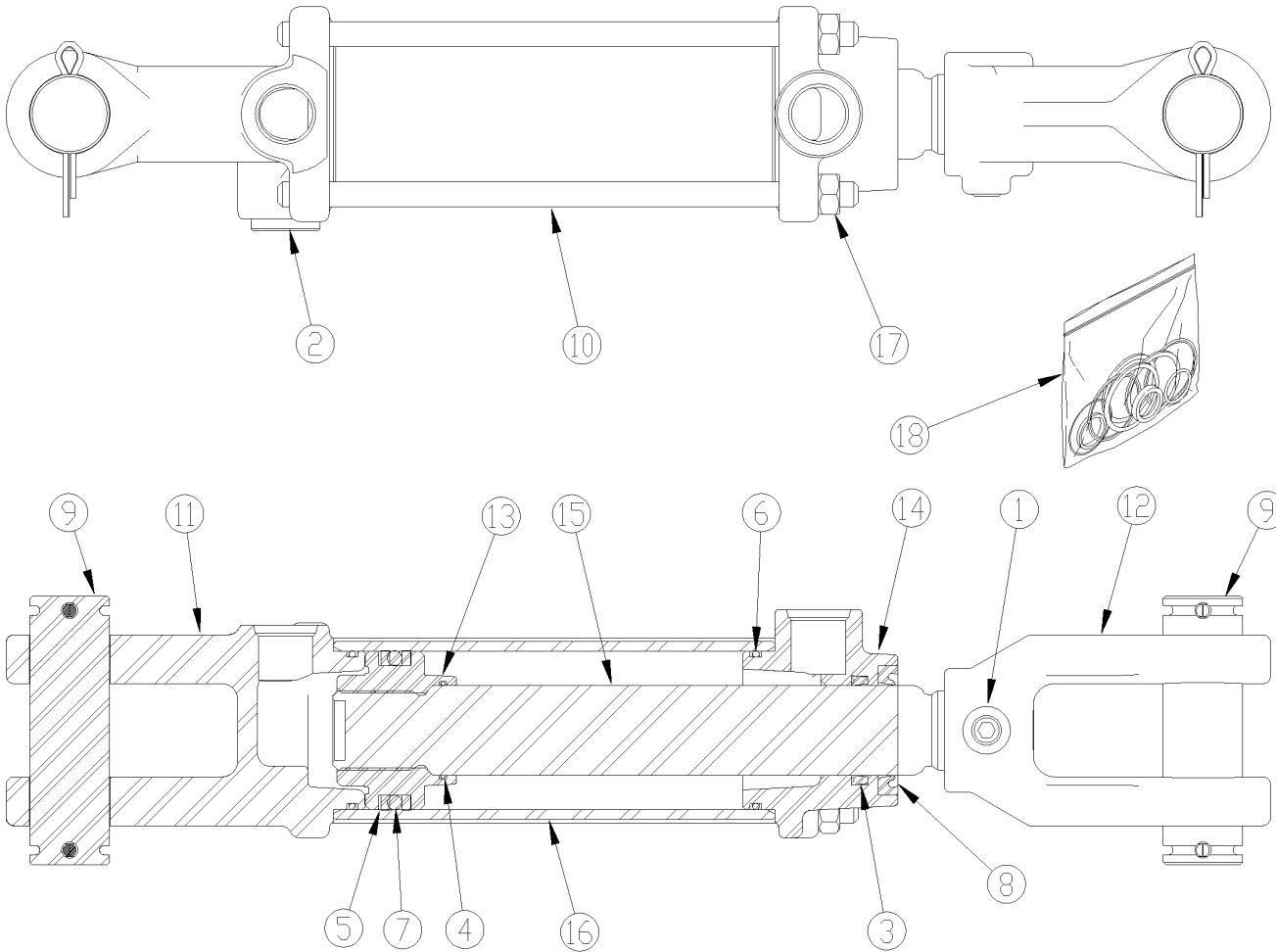
Hydraulic Components

Applies to SGC0548

Ref	Part No.	Part Description	Comments	Revision
	dwg35821	Drawing Image Number		
1.	810-961C	CYL 2X4X1.12		
2.	811-169C	EL 9/16MJIC 9/16FJIC		
3.	811-171C	EL 3/4MORB 9/16MJIC		
4.	811-312C	TE 9/16MJIC		
5.	811-442C	HH1/4R2 028 9/16FJIC		
6.	811-569C	HH1/4R2 014 9/16FJIC		
7.	841-466C	CP 9/16FORB QD 1/4BODY FEMALE		
8.	851-115C	HH1/4R2 025 9/16FJIC (1)90		
9.	851-116C	HH1/4R2 010 9/16FJIC(1)90		
10.	851-205C	HH1/4R2 034 9/16FJIC 9/16MORB		

Hydraulic Cylinder (810-961C)

Applies to SGC0548



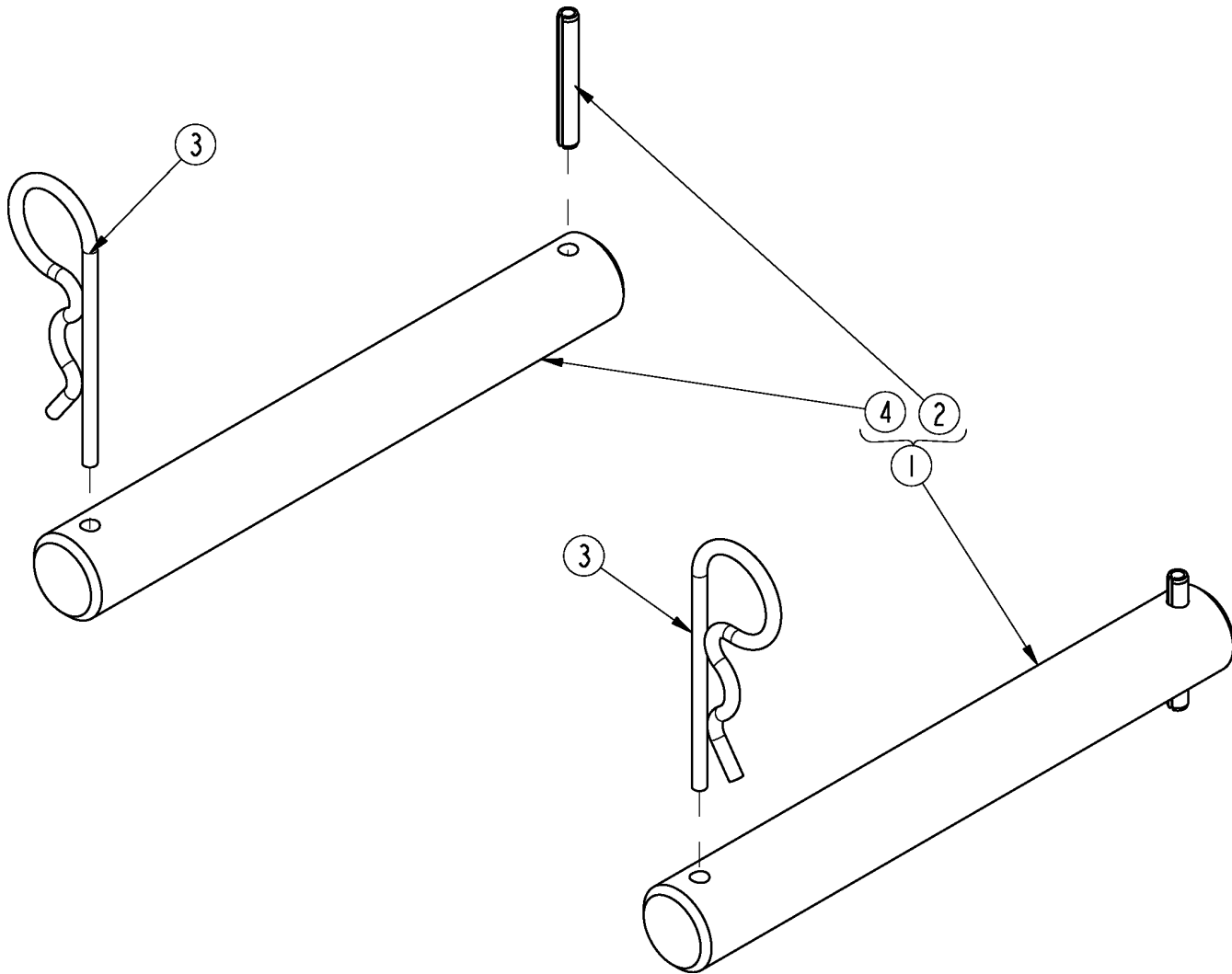
35820

Hydraulic Cylinder (810-961C)**Applies to SGC0548**

Ref	Part No.	Part Description	Comments	Revision
	Dwg 35820 810-961C	Drawing Image Number CYL 2X4X1.12 *		
1.	148000	MON SET SCREW 3/8INC ONE PIECE		
2.	186562	LION PLUG 3/4-16UNF SOCKET HD		
3.	N/A	MON SEAL HALLITE 605 ROD 1.13		
4.	N/A	MON O-RING 024 1.125X1.225 N90		
5.	N/A	MON SEAL BU#326 19PI-326		
6.	N/A	MON O-RING 133 1.812X2 BUNA D9		
7.	N/A	MON O-RING 326 1.63X2 D90		
8.	N/A	LION WIPER SEAL		
9.	235005	MON PIN KIT 1.00C/W COTTER PIN		
10.	292519	MON TIE ROD 5/16-04-TX		
11.	293008	MON CLEVIS CAP 2.00-3/4ORD-1.0		
12.	293009	MON ROD CLEVIS 1.00-1.00 TX		
13.	293010	MON PISTON 2.00 TX		
14.	293016	MON ROD CAP 2.00-1.13-3/4 ORB		
15.	497519	MON ROD CYL 1.12-04-1.00		
16.	498523	MON TUBE CYL 2.00-04.00-TX		
17.	803-008C	NUT HEX 5/16-18 PLT		
18.	810-883C	MON SEAL KIT 620271		

BX Loader Attachment Pin Kit

Applies to SGC0548



35845

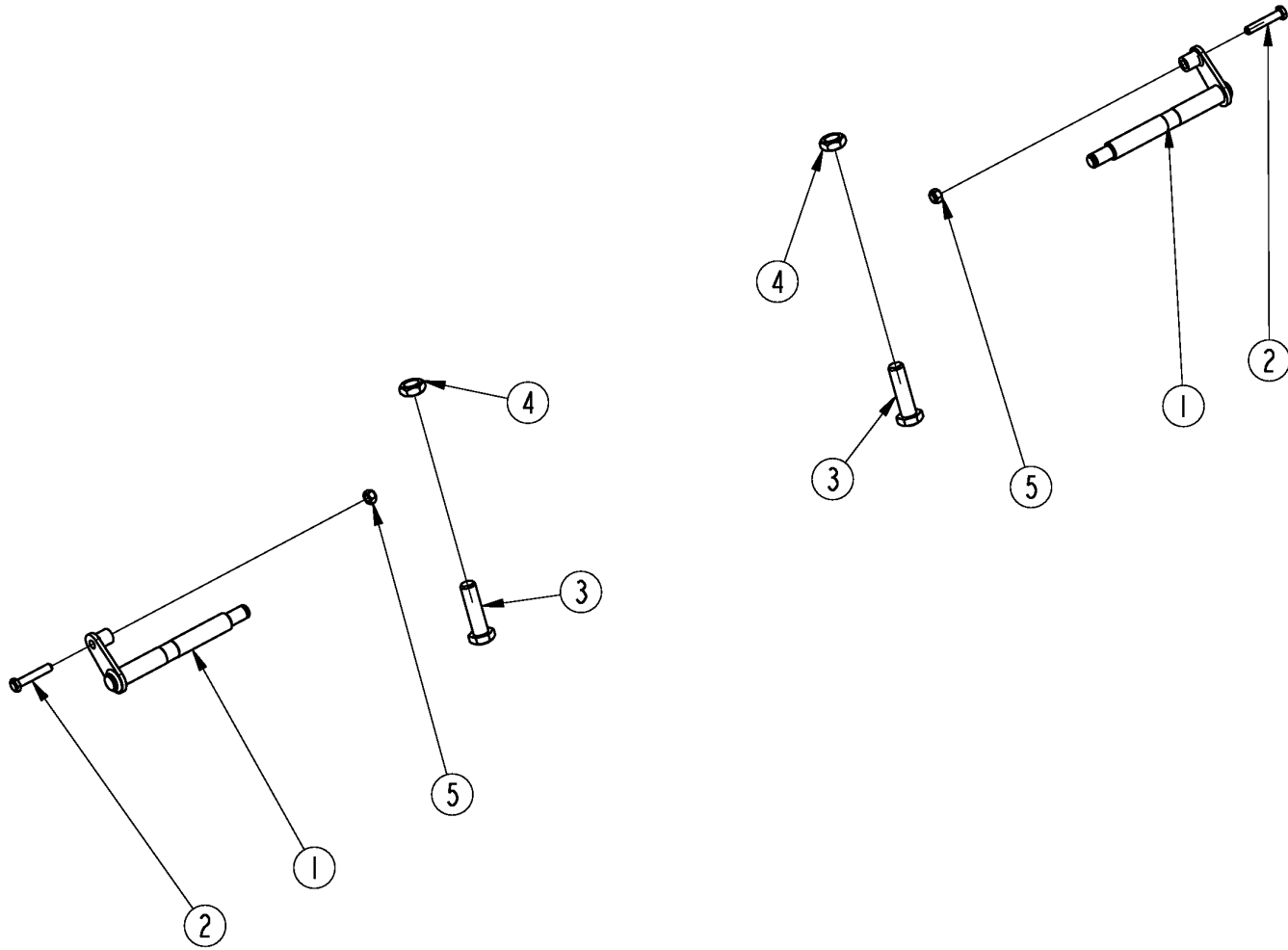
BX Loader Attachment Pin Kit

Applies to SGC0548

Ref	Part No.	Part Description	Comments	Revision
	Dwg 35845 380-146A	Drawing Image Number KIT, BX LOADER DIRECT PIN *		
1.	321-036S	PIN 3/4 OD X 5 1/8 USABLE ASSY		
2.	805-068C	PIN ROLL 5/32 X 1 1/4		
3.	805-143C	PIN HAIR COTTER .120 PLT		
4.	805-300C	PIN CLVS HDLS .75X5.13 USBL		

BX80 Loader Arm Pin Kit

Applies to SGC0548



70142

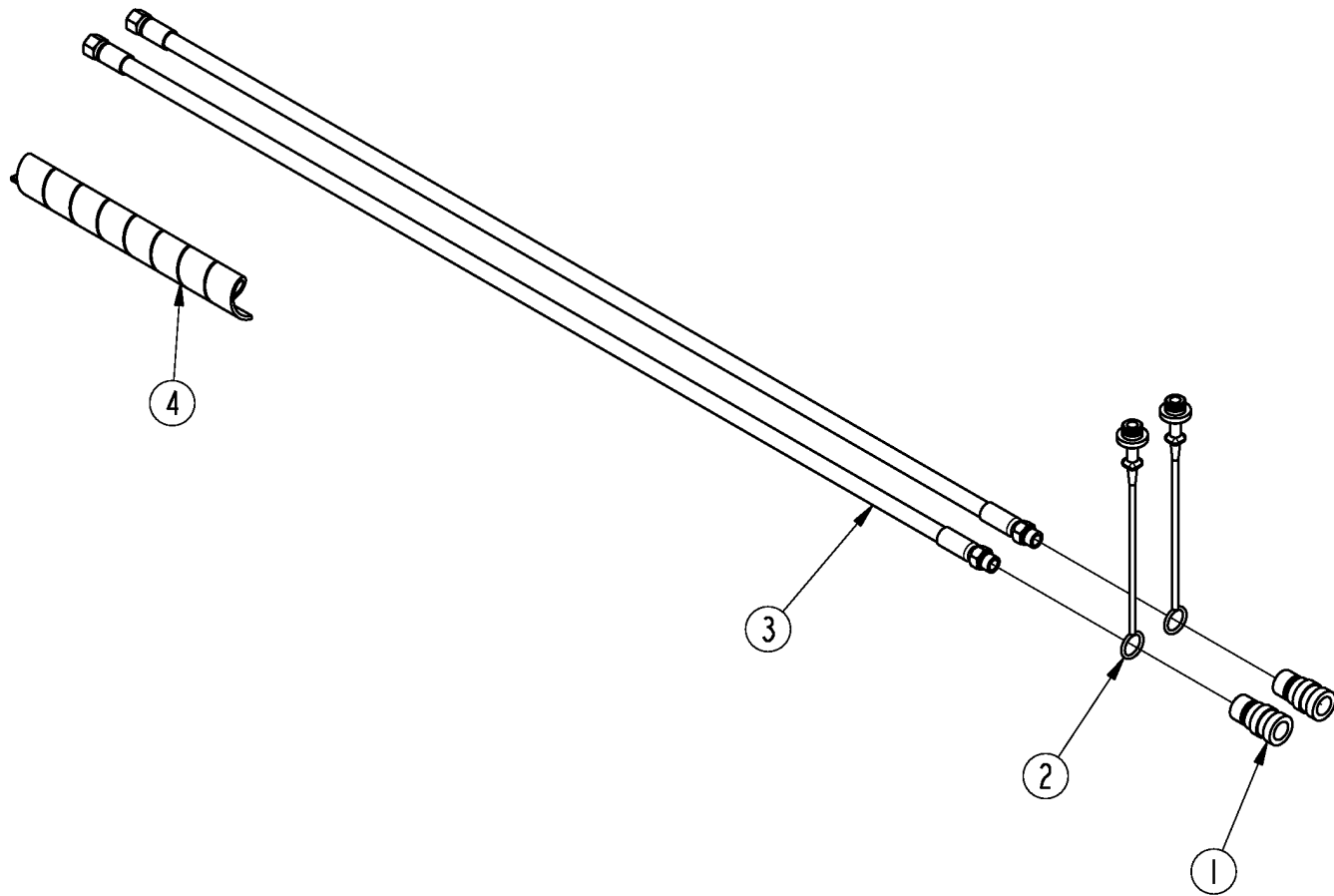
BX80 Loader Arm Pin Kit

Applies to SGC0548

Ref	Part No.	Part Description	Comments	Revision
	Dwg 70142	Drawing Image Number		
	380-296A	BX80 LOADER ARM PIN ON KIT	S/N 1194257+	
		*		
1.	380-294H	BX LOADER ARM PIN		
2.	802-013C	HHCS 5/16-18X1 3/4 GR5		
3.	802-057C	HHCS 5/8-11X2 1/4 GR5		
4.	803-023C	NUT HEX JAM 5/8-11 PLT		
5.	803-084C	NUT HEX NYLOCK 5/16-18 PLT		

Kubota 3rd Function Hoses

Applies to SGC0548



70178

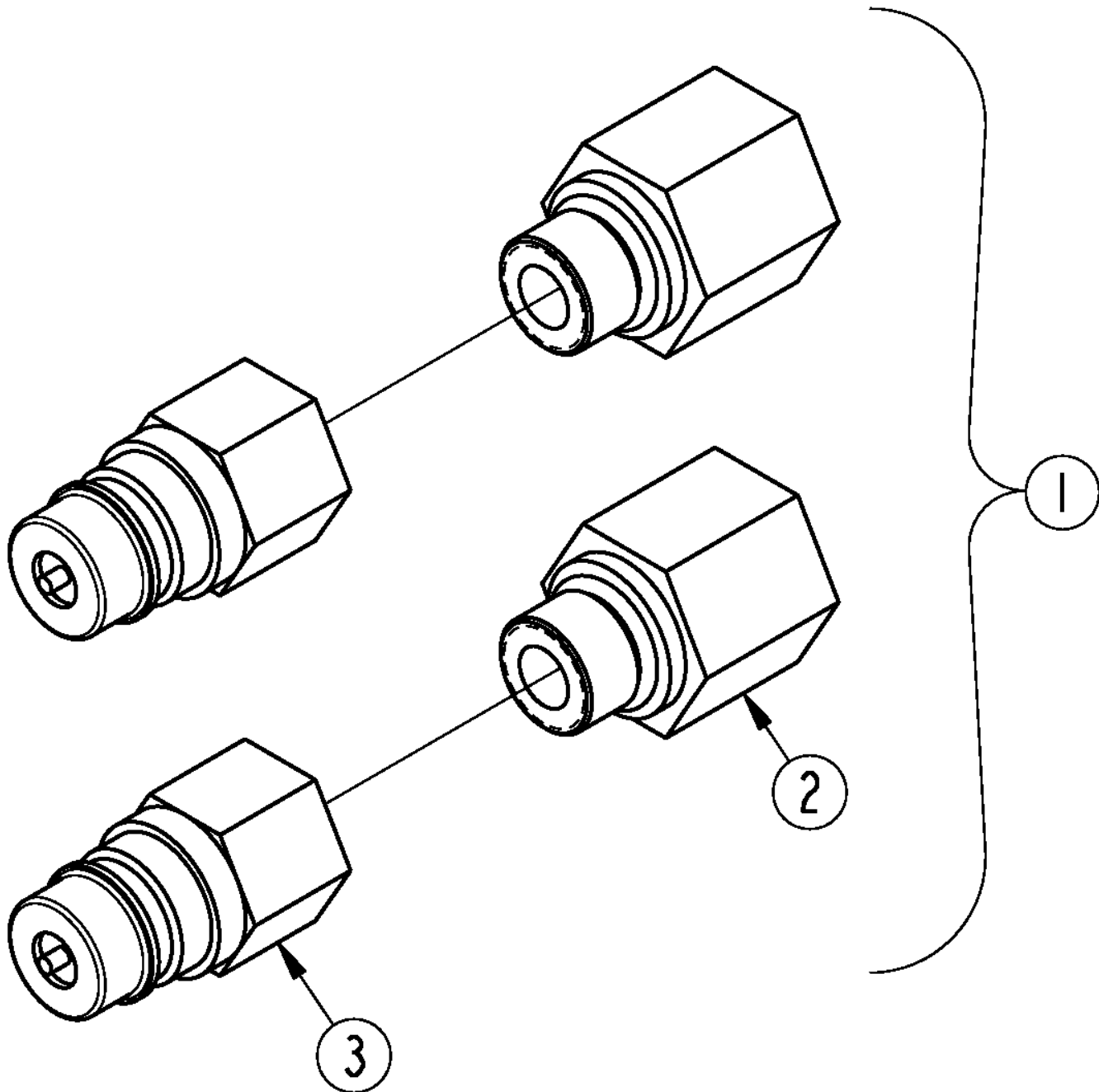
Kubota 3rd Function Hoses

Applies to SGC0548

Ref	Part No.	Part Description	Comments	Revision
	Dwg 70178 380-298A	Drawing Image Number KUBOTA 3RD FUNCTION HOSES *	S/N 1194257+	
1.	841-466C	CP 9/16FORB QD 1/4BODY FEMALE		
2.	851-977C	DUST PLUG, 1/4" QD AG		
3.	861-088C	HH1/4R2 42 9/16FJIC 9/16MORB		
4.	990-228R	SPIRAL HOSE WRAP 1 ID PLASTIC		

Kubota 3rd Function Valve Couplers

Applies to SGC0548



70026

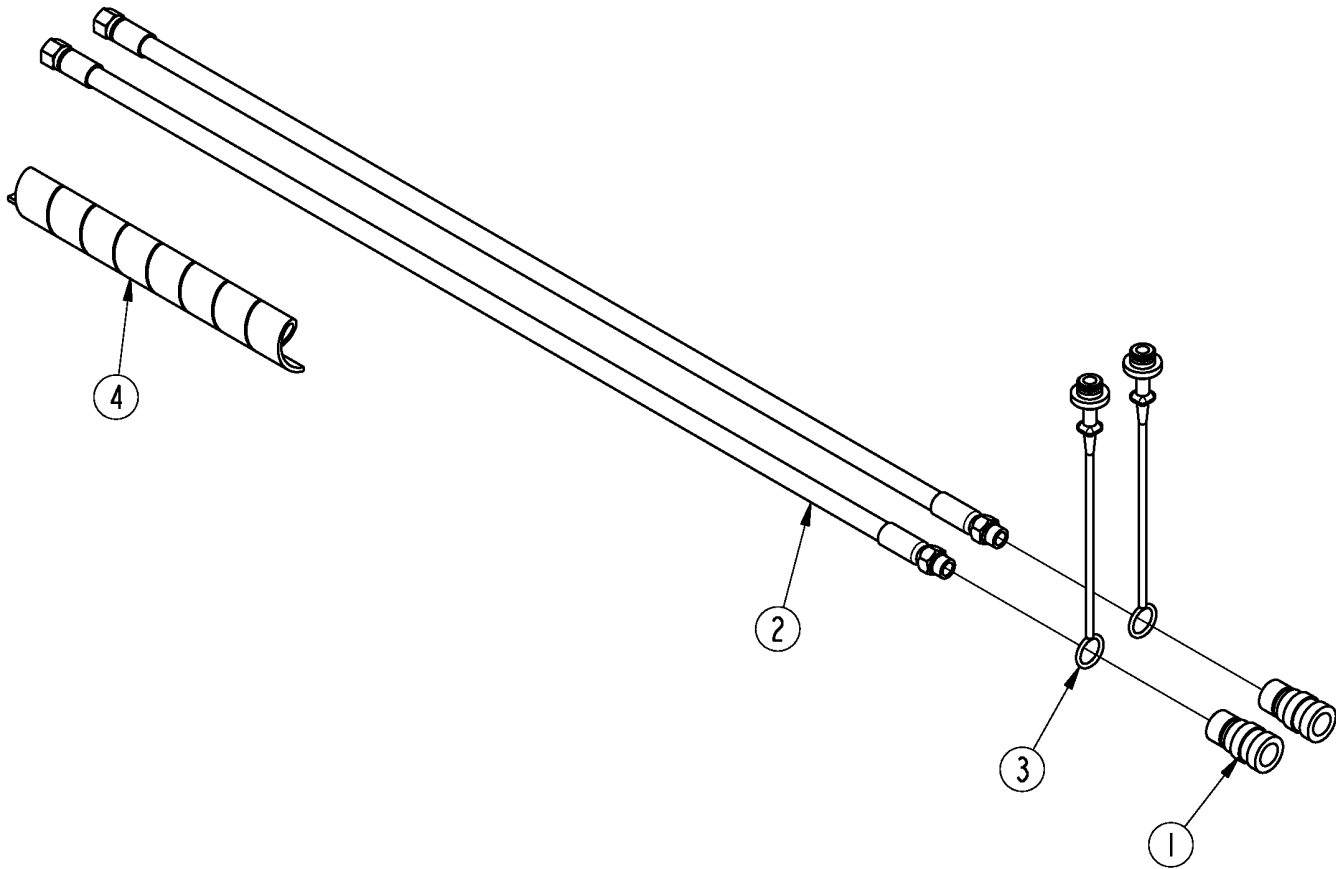
Kubota 3rd Function Valve Couplers

Applies to SGC0548

Ref	Part No.	Part Description	Comments	Revision
	Dwg 70026	Drawing Image Number		
1.	380-281A	KUBOTA 3RD FUNCT VALVE CPLRS	S/N 1194257+	
2.	811-801C	ADAPTER 9/16MORB 3/8FNPT		
3.	841-467C	CP 9/16 FORB QD 1/4 BODY MALE		

Land Pride 3rd Function Hoses

Applies to SGC0548



70177

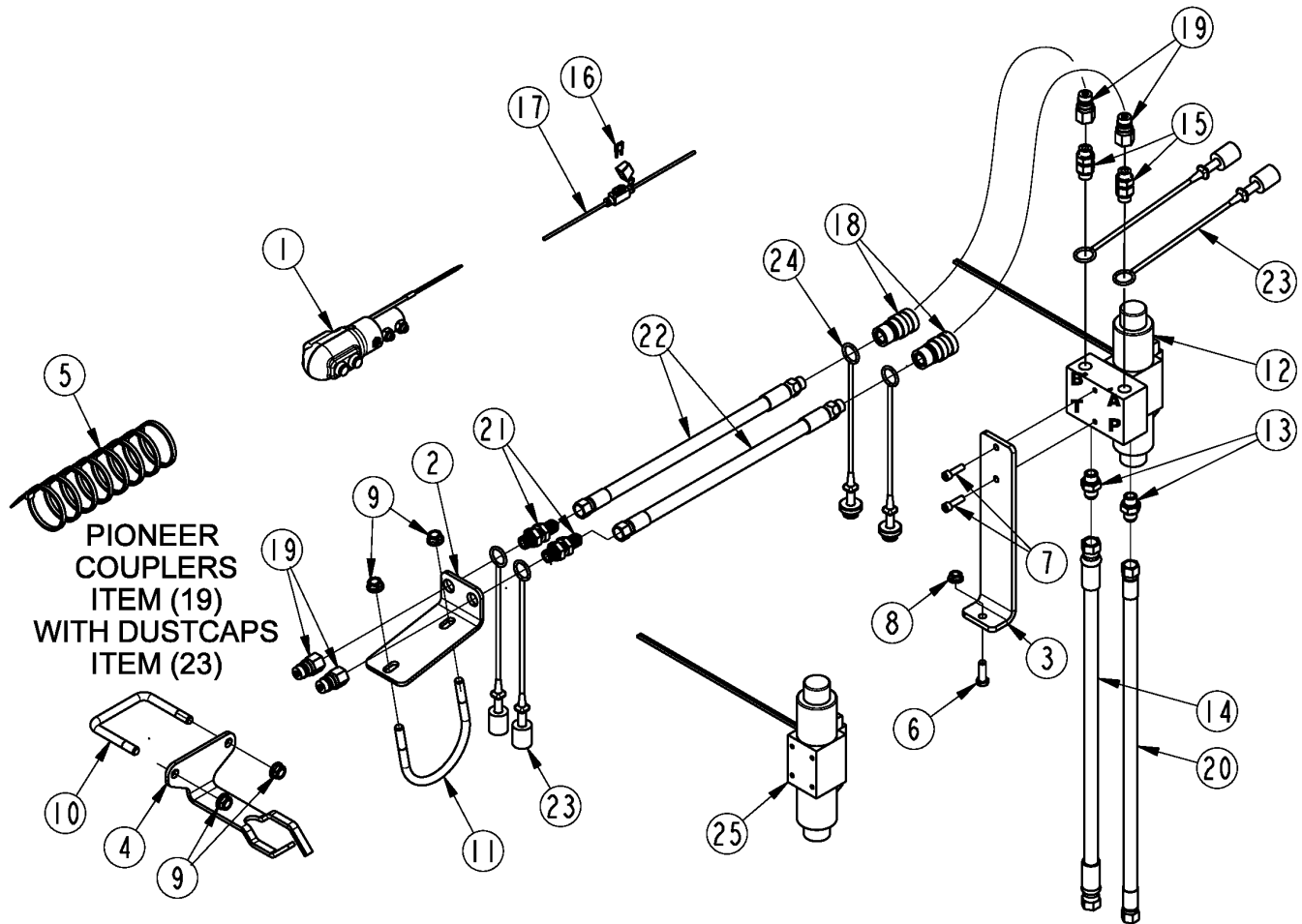
Land Pride 3rd Function Hoses

Applies to SGC0548

Ref	Part No.	Part Description	Comments	Revision
	Dwg 70177 380-297A	Drawing Image Number 3FHK PC 34" *	S/N 1194257+ (Obsolete)	
1.	841-466C	CP 9/16FORB QD 1/4BODY FEMALE		
2.	851-205C	HH1/4R2 034 9/16FJIC 9/16MORB		
3.	851-977C	DUST PLUG, 1/4" QD AG		
4.	990-228R	SPIRAL HOSE WRAP 1 ID PLASTIC		

Third Function Valve Kit 380-137A for BX60 & BX70 (Aug 2019-)

Applies to SGC0548



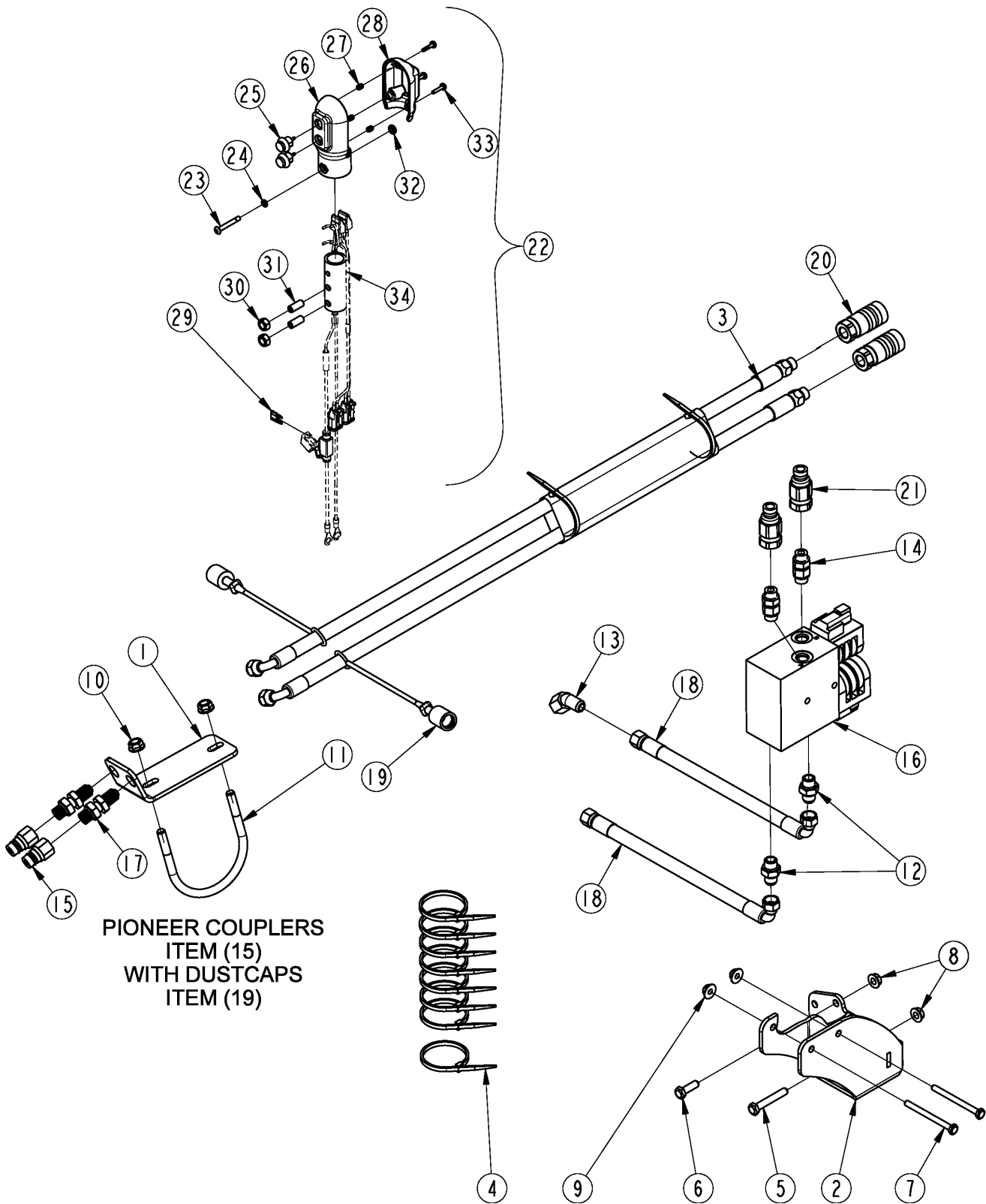
35841

Third Function Valve Kit 380-137A for BX60 & BX70 (Aug 2019-)**Applies to SGC0548**

Ref	Part No.	Part Description	Comments	Revision
	Dwg 35841 380-137A	Image No. 3FVK PC BX2670 *	For 60 and 70 series BX tractors only	
1.	380-165S	ASY, PUSH BUTTON CNTRL HNDL		
2.	380-223D	PLATE, BX BLKHD MOUNT		
3.	380-224D	PLATE, BX VALVE MOUNT		
4.	380-226D	BRKT, HOSE HOLDER		
5.	800-112C	CABLE TIE .19X7.25 1.75D 50LB		
6.	802-159C	HHCS 5/16-18X1 GR5		
7.	802-418C	HSHCS 1/4-20X7/8		
8.	803-043C	NUT HEX WHIZ 5/16-18 PLT		
9.	803-198C	NUT HEX WHIZ 3/8-16 PLT		
10.	806-132C	U-BOLT 3/8-16 X 3 1/32 X 2 3/4		
11.	806-256C	U-BOLT 3/8-16X3 1/2X4 1/8 RND		
12.	810-926C	VALVE, THIRD FUNCTION		
13.	811-170C	AD 9/16MORB 9/16MJIC		
14.	811-253C	HH3/8R2 062 9/16FJIC		
15.	811-636C	AD 9/16MORB STRAIGHT UNION		
16.	833-495C	FUSE, 10 AMP MINI BLADE		
17.	833-650C	BLADE FUSE HOLDER, MINI		
18.	841-466C	CP 9/16FORB QD 1/4BODY FEMALE		
19.	841-467C	CP 9/16 FORB QD 1/4 BODY MALE		
20.	841-563C	HH3/8R2 048 FJIC9/16FJIC9/16		
21.	851-276C	AD 9/16MJIC9/16MORB BLKHD W/LN		
22.	851-277C	HH1/4R2 054 9/16MORB 9/16FJIC		
23.	851-976C	DUST CAP, 1/4" QD AG		
24.	851-977C	DUST PLUG, 1/4" QD AG		
25.	850-472C	HYDRO-TEK VALVE REPLACEMENT	Replacement valve for 810-926C (valve only)	

Third Function Valve Kit 380-289A for BX80 (Aug 2019-)

Applies to SGC0548



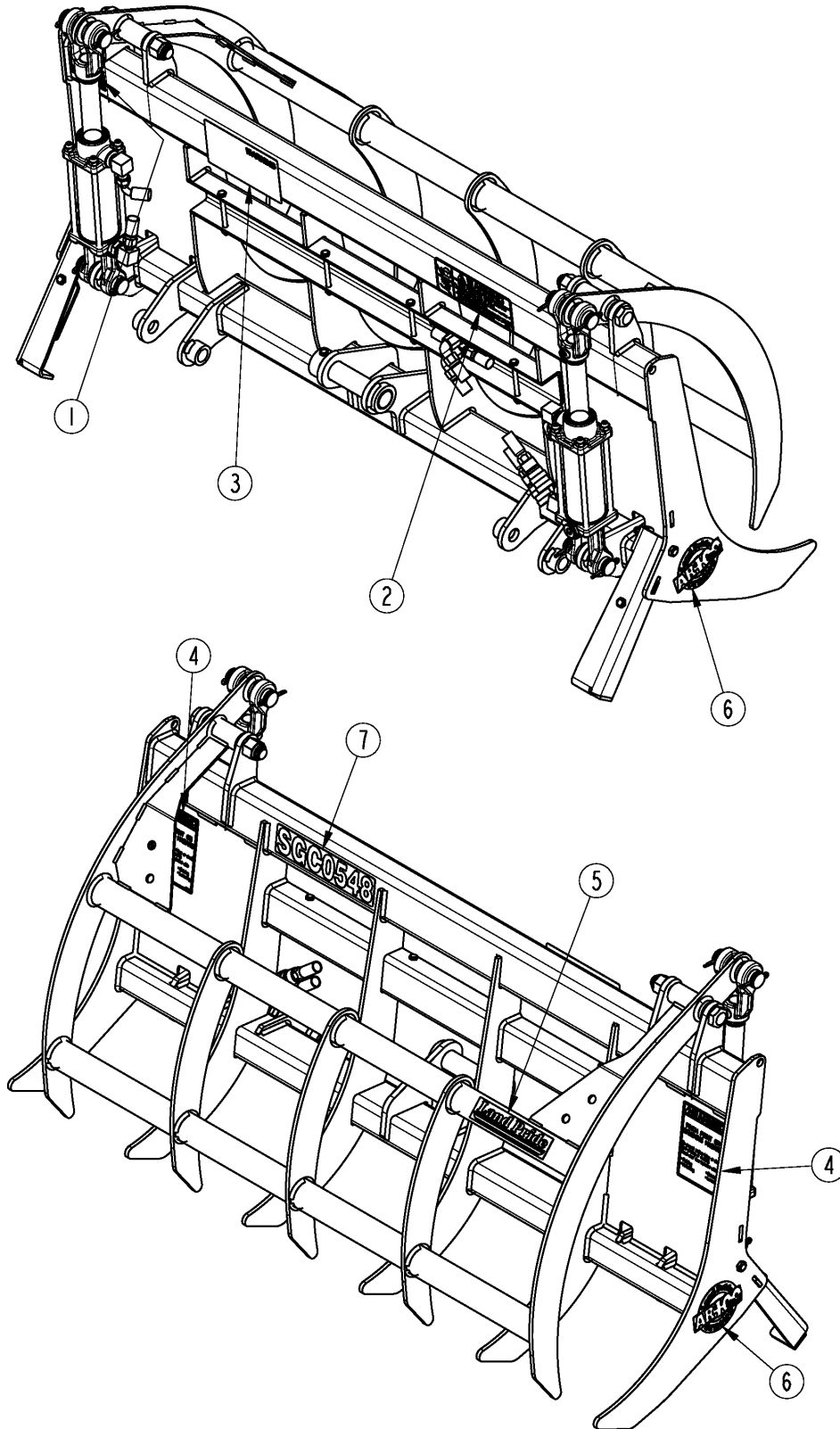
70903

Third Function Valve Kit 380-289A for BX80 (Aug 2019-)**Applies to SGC0548**

Ref	Part No.	Part Description	Comments	Revision
	Dwg 70903	Drawing Image Number		
	380-289A	VALVE KIT BX80 3RD FNCTION *		
1.	380-223D	PLATE, BX BLKHD MOUNT		
2.	380-303H	MNT BKT, BX80 3RD VALVE		
3.	381-170L	ASY, BX80 3RD VLV LOADER HOSE		
4.	800-112C	CABLE TIE .19X7.25 1.75D 50LB		
5.	802-115C	HHCS 5/16-18X2 GR5		
6.	802-159C	HHCS 5/16-18X1 GR5		
7.	802-274C	HHCS 1/4-20X3 GR5		
8.	803-043C	NUT HEX WHIZ 5/16-18 PLT		
9.	803-088C	NUT HEX LOCK 1/4-20 FLG		
10.	803-198C	NUT HEX WHIZ 3/8-16 PLT		
11.	806-256C	U-BOLT 3/8-16X3 1/2X4 1/8 RND		
12.	811-170C	AD 9/16MORB 9/16MJIC		
13.	811-397C	EL 45 9/16MJIC 9/16FJIC		
14.	811-636C	AD 9/16MORB STRAIGHT UNION		
15.	841-467C	CP 9/16 FORB QD 1/4 BODY MALE		
16.	850-313C	VALVE, THIRD FUNCTION (DELTA)		
17.	851-276C	AD 9/16MJIC9/16MORB BLKHD W/LN		
18.	851-959C	HH1/4R2 58 9/16FJIC 9/16FJIC90		
19.	851-976C	DUST CAP, 1/4" QD AG		
20.	861-287C	CP 9/16FORB QD 1/4 BODY FEMALE		
21.	861-288C	CP 9/16FORB QD 1/4 BODY MALE		
22.	380-302S	ASY, PUSH BUTTON CNTRL HNDL		
23.	801-250C	HSBHCS #10-32X1 3/8		
24.	804-054C	WASHER LOCK #10		
25.	833-739C	SWITCH, P9 PB NO SPST MOM RED		
26.	837-054C	BASE, PUSH BUTTON CNTRL HNDL		
27.	99362A300	6-32 BRASS TAPPING INSERT		
28.	837-053C	COVER, PUSH BUTTON CNTRL HNDL		
29.	833-495C	FUSE, 10 AMP MINI BLADE		
30.	803-008C	NUT HEX 5/16-18 PLT		
31.	801-204C	SCREW SET SCKT HD 5/16-18X3/4		
32.	803-269C	NUT HEX 10-32 PLT		
33.	801-091C	CRPHMS 6-32X5/8 SS		
34.	380-225D	MOUNT TUBE, CONTROL STICK		

Decal Placement

Applies to SGC0548



35817

Decal Placement

Applies to SGC0548

Ref	Part No.	Part Description	Comments	Revision
	dwg35817	Drawing Image Number		
1.	818-190C	DECAL FLAG		
2.	838-094C	DECAL WARNING HYD PRESS LONG		
3.	838-293C	DECAL WARNING READ MANUAL		
4.	838-378C	DECAL WARNING PINCH/CRUSH		
5.	838-967C	DECAL LANDPRIDE 6" BROWN/GOLD		
6.	858-108C	DECAL, AR400 STEEL		
7.	858-137C	DECAL, SGC0548 GOLD		

Touch-up Paints - LP

Applies to SGC0548

No diagram associated with this Parts List

Touch-up Paints - LP**Applies to SGC0548**

Ref	Part No.	Part Description	Comments	Revision
1.	821-011C	LP BEIGE SPRAY CAN	Spray can	
1.	821-011CTU	LP BEIGE TOUCH-UP 5OZ	Touch-up bottle with brush	
1.	821-011CQT	LP BEIGE QUART	Quart can	
1.	821-011CGL	LP BEIGE GALLON	Gallon can	
2.	821-070C	GLOSS BLACK SPRAY CAN	Spray can	
2.	821-070CTU	GLOSS BLACK TOUCH-UP 5OZ	Touch-up bottle with brush	
2.	821-070CQT	GLOSS BLACK QUART	Quart can	
2.	821-070CGL	GLOSS BLACK GALLON	Gallon can	
3.	821-054C	MED. RED SPRAY TRCK/CTR	Spray can	
3.	821-054CTU	MED RED TOUCH-UP 5OZ	Touch-up bottle with brush	
3.	821-054CQT	MED RED QUART	Quart can	
3.	821-054CGL	MED RED GALLON	Gallon can	
4.	821-058C	GREEN SPRAY CUTTERS	Spray can	
4.	821-058CTU	GREEN TOUCH-UP 5OZ	Touch-up bottle with brush	
4.	821-058CQT	GREEN QUART	Quart can	
4.	821-058CGL	GREEN GALLON	Gallon can	
5.	821-066C	ORANGE SPRAY CAN	Spray can	
5.	821-066CTU	ORANGE TOUCH-UP 5OZ	Touch-up bottle with brush	
5.	821-066CQT	ORANGE QUART	Quart can	
5.	821-066CGL	ORANGE GALLON	Gallon can	
6.	821-067C	BLUE SPRAY CAN	Spray can	
6.	821-067CTU	BLUE TOUCH-UP 5OZ	Touch-up bottle with brush	
6.	821-067CQT	BLUE QUART	Quart can	
6.	821-067CGL	BLUE GALLON	Gallon can	
7.	821-080C	PAINT ALUMINUM/ZINC SPRAY CAN	Spray can	
7.	821-080CTU	PAINT ALUMINUM/ZINC TOUCH UP	Touch-up bottle with brush	
7.	821-080CQT	PAINT ALUMINUM/ZINC QUART	Quart can	
7.	821-080CGL	PAINT ALUMINUM/ZINC GALLON	Gallon can	



Part Number Index

The Part Number Index is a numeric index of all part numbers included in this manual. The index shows what page(s) the part is used on.

Part Number	Page	Part Number	Page	Part Number	Page
148000	11	810-961C	9, 11	Dwg 35841	23
186562	11	811-169C	9	Dwg 35845	13
235005	11	811-170C	23, 25	Dwg 70026	19
292519	11	811-171C	9	Dwg 70142	15
293008	11	811-253C	23	Dwg 70177	21
293009	11	811-312C	9	Dwg 70178	17
293010	11	811-397C	25	Dwg 70903	25
293016	11	811-442C	9	dwg35816	7
308-316D	7	811-569C	9	dwg35817	27
321-036S	13	811-636C	23, 25	dwg35821	9
380-120H	7	811-801C	19	N/A	11
380-121H	7	818-190C	27		
380-137A	23	821-011C	29		
380-146A	13	821-011CGL	29		
380-165S	23	821-011CQT	29		
380-215D	7	821-011CTU	29		
380-216D	7	821-054C	29		
380-217D	7	821-054CGL	29		
380-218D	7	821-054CQT	29		
380-222D	7	821-054CTU	29		
380-223D	23, 25	821-058C	29		
380-224D	23	821-058CGL	29		
380-225D	25	821-058CQT	29		
380-226D	23	821-058CTU	29		
380-281A	19	821-066C	29		
380-289A	25	821-066CGL	29		
380-294H	15	821-066CQT	29		
380-296A	15	821-066CTU	29		
380-297A	21	821-067C	29		
380-298A	17	821-067CGL	29		
380-302S	25	821-067CQT	29		
380-303H	25	821-067CTU	29		
381-170L	25	821-070C	29		
497519	11	821-070CGL	29		
498523	11	821-070CQT	29		
800-112C	23, 25	821-070CTU	29		
801-091C	25	821-080C	29		
801-204C	25	821-080CGL	29		
801-250C	25	821-080CQT	29		
802-010C	7	821-080CTU	29		
802-013C	15	833-495C	23, 25		
802-024C	7	833-650C	23		
802-057C	15	833-739C	25		
802-069C	7	837-053C	25		
802-115C	25	837-054C	25		
802-159C	23, 25	838-094C	27		
802-274C	7, 25	838-293C	27		
802-418C	23	838-378C	27		
802-551C	7	838-967C	27		
803-008C	11, 25	841-466C	9, 17, 21, 23		
803-023C	15	841-467C	19, 23, 25		
803-025C	7	841-563C	23		
803-043C	23, 25	850-313C	25		
803-084C	15	850-472C	23		
803-088C	25	851-115C	9		
803-177C	7	851-116C	9		
803-198C	23, 25	851-205C	9, 21		
803-209C	7	851-276C	23, 25		
803-255C	7	851-277C	23		
803-269C	25	851-959C	25		
804-054C	25	851-976C	23, 25		
804-056C	7	851-977C	17, 21, 23		
805-068C	13	858-108C	27		
805-143C	13	858-137C	27		
805-300C	13	861-088C	17		
806-132C	23	861-287C	25		
806-256C	23, 25	861-288C	25		
807-096C	7	990-228R	17, 21		
810-883C	11	99362A300	25		
810-926C	23	Dwg 35820	11		

This Page Intentionally Left Blank



Great Plains Manufacturing, Inc.

Corporate Office: P.O. Box 5060
Salina, Kansas 67402-5060 USA

www.landpride.com
