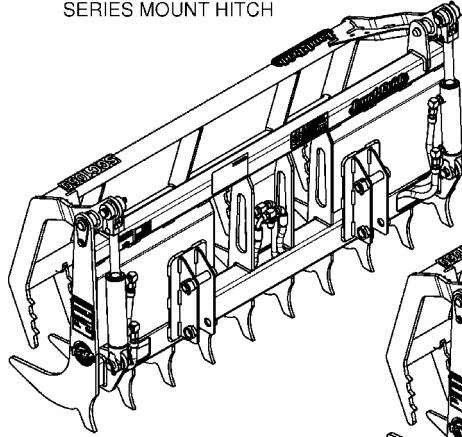


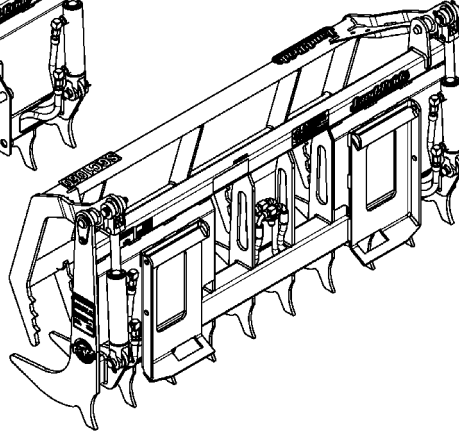
Grapples

SGC1060 & SGC1072

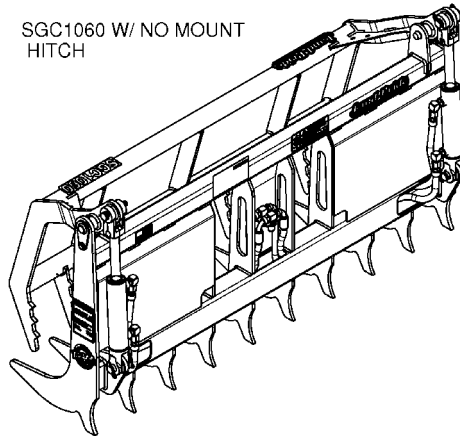
SGC1060 W/ KUBOTA B
SERIES MOUNT HITCH



SGC1060 W/ STANDARD
TWO LEVER MOUNT HITCH



SGC1060 W/ NO MOUNT
HITCH



35564

380-092P Parts Manual



Read the Operator's Manual entirely. When you see this symbol, the subsequent instructions and warnings are serious - follow without exception. Your life and the lives of others depend on it!

© Copyright 2020 Printed 04/28/20

Cover photo may show optional equipment not supplied with standard unit.





Table of Contents

Section 1: Introduction.....	4
Using This Manual.....	4
Manual Replacement Information.....	4
Manual Revisions.....	4
Touch-up Paint.....	4
Hardware Legend.....	5
Replacement Hardware.....	5
Serial Numbers.....	5
Part Number Service Coding.....	5
Section 2: Main Assembly.....	6
Grapple & Claw Frame Kubota B Series Mount Hitch.....	6
Grapple & Claw Frame No Mount Hitch.....	8
Grapple & Claw Frame Standard Two Lever Hitch.....	10
Hydraulic Components.....	12
Hydraulic Cylinder (810-734C) Monarch.....	14
Section 3: Decals.....	16
Decal Placement.....	16
Touch-up Paints - LP.....	18
Section 4: Options & Accessories.....	20
Push Button Control Handle 380-314S.....	20
Third Function Hose Kit 380-150A.....	22
Third Function Valve Kit 380-093A for Kubota B3300 & LA504.....	24
Third Function Valve Kit 380-152A for Kubota L2501 L3200 L3800 L3301 L3901 L4600 & L4701.....	26
Third Function Valve Kit 380-166A for Kubota MX4700.....	28
MX4800.....	28
MX5100.....	28
MX5200.....	28
MX5800.....	28
& MX6899.....	28
Third Function Valve Kit 380-168A for Kubota B3350 B2650 & LA534 LA534A.....	30
Third Function Valve Kit 380-311A with Flat Face Couplers For Kubota MX5400 & MX6000 With Cab.....	32
Third Function Valve Kit 380-312A with Flat Face Couplers For Kubota MX5400 & MX6000 With ROPS.....	34
Third Function Valve Kit 380-330A with Pioneer Couplers For Kubota MX5400 & MX6000 With Cab.....	36
Third Function Valve Kit 380-331A with Pioneer Couplers For Kubota MX5400 & MX6000 With ROPS.....	38
Part Number Index.....	40

© Copyright 2020. All rights reserved.

Land Pride provides this publication “as is” without warranty of any kind, either expressed or implied. While every precaution has been taken in the preparation of this manual, Land Pride assumes no responsibility for errors or omissions. Neither is any liability assumed for damages resulting from the use of the information contained herein. Land Pride reserves the right to revise and improve its products as it sees fit. This publication describes the state of this product at the time of its publication, and may not reflect the product in the future. The illustrations in this manual are not intended for safe and proper assembly or disassembly of equipment. The illustrations are intended for ordering parts only.

Land Pride is registered trademark.

All other brands and product names are trademarks or registered trademarks of their respective holders.

Printed in the United States of America.



Alphabetized Table of Contents

D	
Decal Placement.....	16
G	
Grapple & Claw Frame Kubota B Series Mount Hitch.....	6
Grapple & Claw Frame No Mount Hitch.....	8
Grapple & Claw Frame Standard Two Lever Hitch.....	10
H	
Hydraulic Components.....	12
Hydraulic Cylinder (810-734C) Monarch.....	14
P	
Push Button Control Handle 380-314S.....	20
T	
Third Function Hose Kit 380-150A.....	22
Third Function Valve Kit 380-093A for Kubota B3300 & LA504.....	24
Third Function Valve Kit 380-152A for Kubota L2501 L3200 L3800 L3301 L3901 L4600 & L4701.....	26
Third Function Valve Kit 380-166A for Kubota MX4700, MX4800, MX5100, MX5200, MX5800, & MX6899.....	28
Third Function Valve Kit 380-168A for Kubota B3350 B2650 & LA534 LA534A.....	30
Third Function Valve Kit 380-311A with Flat Face Couplers For Kubota MX5400 & MX6000 With Cab.....	32
Third Function Valve Kit 380-312A with Flat Face Couplers For Kubota MX5400 & MX6000 With ROPS.....	34
Third Function Valve Kit 380-330A with Pioneer Couplers For Kubota MX5400 & MX6000 With Cab.....	36
Third Function Valve Kit 380-331A with Pioneer Couplers For Kubota MX5400 & MX6000 With ROPS.....	38
Touch-up Paints - LP.....	18

General Information

Using This Manual

This manual is divided into sections. The first section contains General Information. The remaining sections divide the machine into segments (i.e. Frames, Drives, Hydraulics, etc.) which illustrate and list all parts. A Parts Number Index is located at the back of the book.

The Land Pride parts in this manual are specially designed for this machine and should be replaced with Land Pride parts only.

The information in this manual is current at time of printing. Some parts may change to assure top performance.

Right-hand and left-hand as used in this manual are determined by facing the direction the machine will travel while in use.

Below is an example of two facing pages from a parts manual. Familiarize yourself with the type of information contained on these pages.

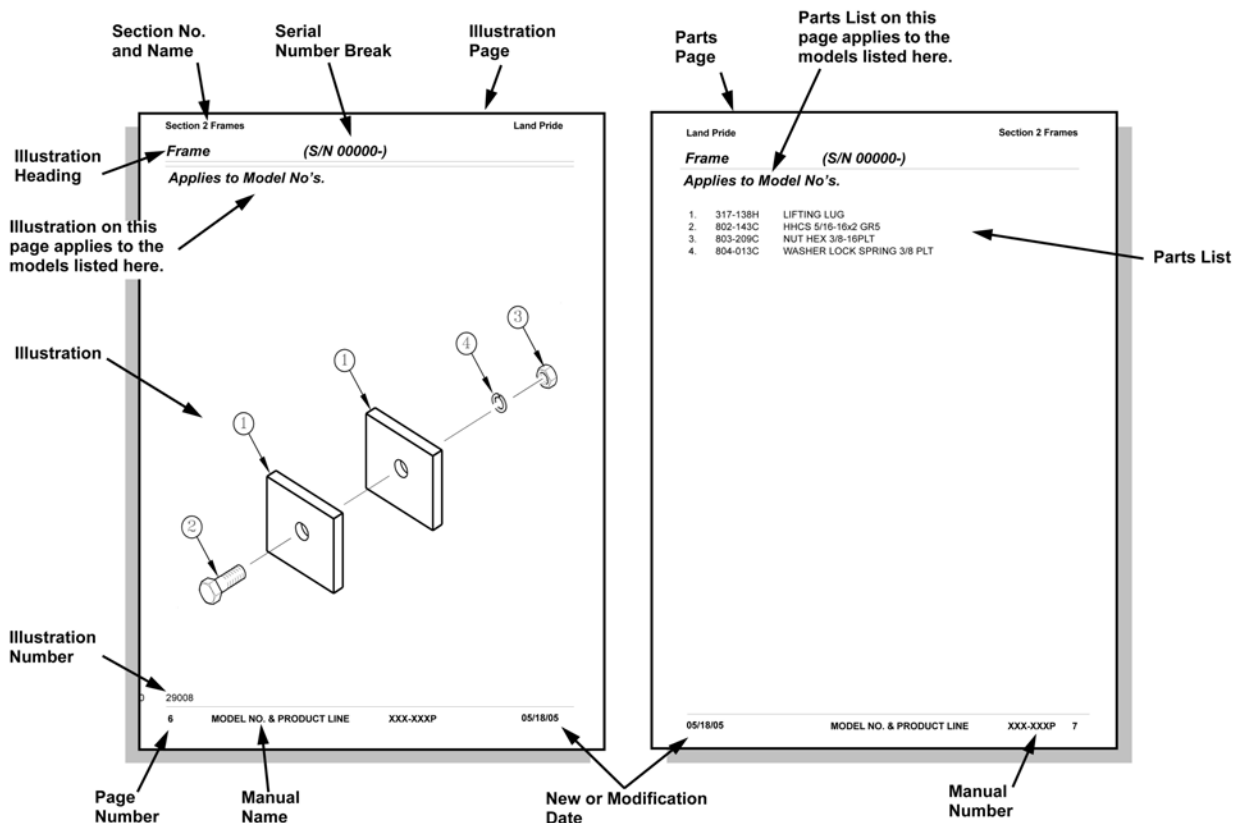
Manual Replacement Information

Replacement manuals are available. Refer to our website at www.landpride.com or e-mail us at lit@landpride.com for additional information. Our website continues to provide the most up-to-date manuals available.

Touch-up Paint

Repaint parts where paint is worn or scratched to prevent rust. Aerosol cans and touch-up bottles with brush applicator are available through your local dealer. Also available are quart and gallon size paints. Add QT or GL to end of the Aerosol P/N.

Land Pride color descriptions and part numbers are listed on the "Land Pride Touch-up Paints" page in the "Decals" section of this book. Color options vary by product.



General Information

Hardware Legend

AR	As Required
BLADE	Blade Bolt
C	Cap Screw
CP	Cotter Pin
CPHSSS	Cup Point Hex Socket Set Screw
CPSHSS	Cup Point Square Head Set Screw
CPSQHSS	Cup Point Square Head Set Screw
CRFCHMS3	Cross Recess Flat Countersunk Head Machine Screw
CRPHMS	Cross Recess Pan Head Machine Screw
CRPHTF	Cross Recess Pan Head Thread Forming
CRRHMS	Cross Recess Round Head Machine Screw
CRTHMS	Cross Recess Truss Head Machine Screw
CSNB	Countersunk Square Neck Bolt
FHMS	Flat Head Machine Screw
FTC	Full Thread Cap Screw
H	Hex Nut
HCLN	Hex Center Lock Nut
HFLCS	Hex Flange Lock Cap Screw
HFS	Hex Flange Screw
HFSLN	Hex Flange Serrated Lock Nut
HFSS	Hex Flange Serrated Screw
HHCS	Hex Head Cap Screw or Metric Bolt
HSBHCS	Hex Socket Button Head Cap Screw
HSFCHCS	Hex Socket Flat Countersunk Head Cap Screw
HSHCS	Hex Socket Head Cap Screw
HSSS	Hex Socket Head Screw
HTLN	Hex Top Lock Nut
HWHCS	Hex Washer Head Cap Screw

HWHMS	Hex Washer Head Machine Screw
HXBHCS	Hex Socket Button Head Cap Screw
J	Hex Jam Nut
JIC	37 Degree Tapered Thread
L	Helical Spring Lock Washer
LUG	Lug Bolt
NFC	National Fine Cap Screw
NPSM	National Pipe Straight Mechanical
NPTF	National Pipe Taper Fuel
P	Wide Plain Washer
PHMS	Pan Head Machine Screw
PLOW	Plow Bolt
RHMS	Round Head Machine Screw
RHSNB	Round Head Square Neck Bolt
SCREW LEVELING	Leveling Screw
SCREW THUMB	Thumb Screw
SCREW WELD	Weld Screw
SFCHMS	Slotted Flat Countersunk Head Machine Screw
SFHMS	Slotted Fillister Head Machine Screw
SP	Special
SP SCREW	Special Screw
SQHSS	Square Head Set Screw
SRHMS	Slotted Round Head Machine Screw
SSS	Socket Set Screw
STCS	Self Tapping Cap Screw
STHMS	Slotted Truss Head Machine Screw
WHEEL	Wheel Studs and Hub Long Bolts
WING	Wing Bolt

Replacement Hardware

The **Hardware Legend** above lists hardware abbreviations used in the parts list. All bolts and nuts are Grade 5 unless otherwise noted. The use of improper grades of hardware can result in personal injury, damage to equipment, or loss of property.

Colored Replacement Parts

Land Pride offers replacement parts in factory standard colors and also on select models in Green, Orange, Red and Blue. Because of the variety of colors available, special attention must be given to the part number to prevent ordering the wrong replacement part.

A suffix number corresponding to one of the colors below must be added at the end of Land Pride's part number when ordering a replacement part with that color.

81 Green 83 Red
82 Orange 84 Blue

For example, if you are ordering a replacement part with part number 555-555C and the part you need is red, then add the suffix 83 to the end of the number to make the part number read 555-555C83. Parts ordered without a suffix number will be supplied in factory standard colors.

Black Replacement Parts

Some parts are factory standard black and some must be special ordered black. If your part is special ordered black, a second part number with the additional suffix number 85 on the end will be available. In this situation you must order that part with the suffix number for it to be black. Parts that are factory standard black will not have the suffix number.

Part Number Service Coding

Within the parts list some part numbers are coded for revisions and interchangeability. See notations in revision column.

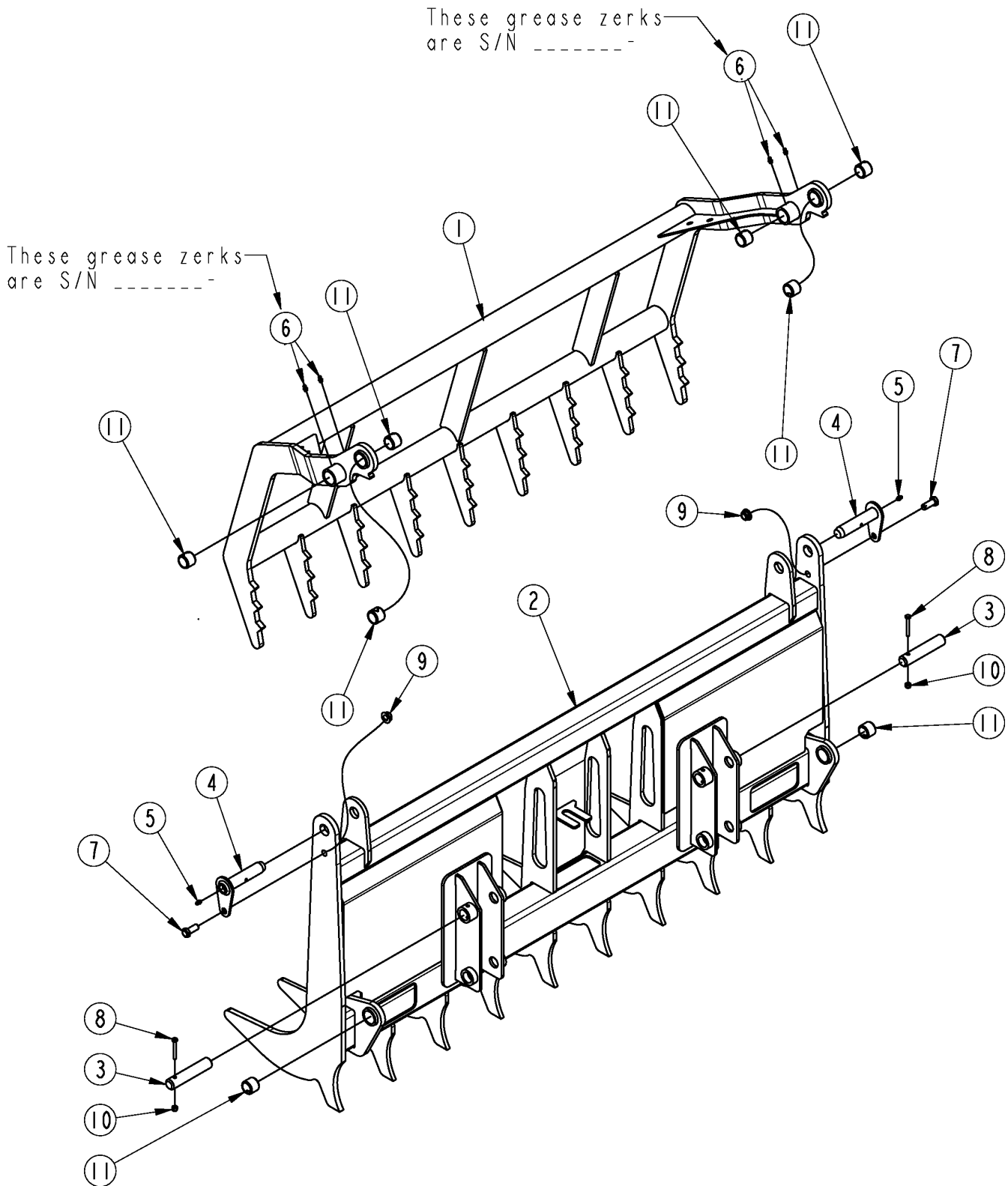
Serial Numbers

Always use the serial and model number when ordering parts. Refer to the Operator's Manual for serial number plate location.

- (S/N 20001+) Includes serial numbers 20001 and above (to the latest number)
- (S/N 10001 to 20000) Includes serial numbers between and including 10001 and 20000
- (S/N 10000-) Includes serial numbers 10000 and below (to the earliest number)

Grapple & Claw Frame Kubota B Series Mount Hitch

Applies to SGC1060, SGC1072



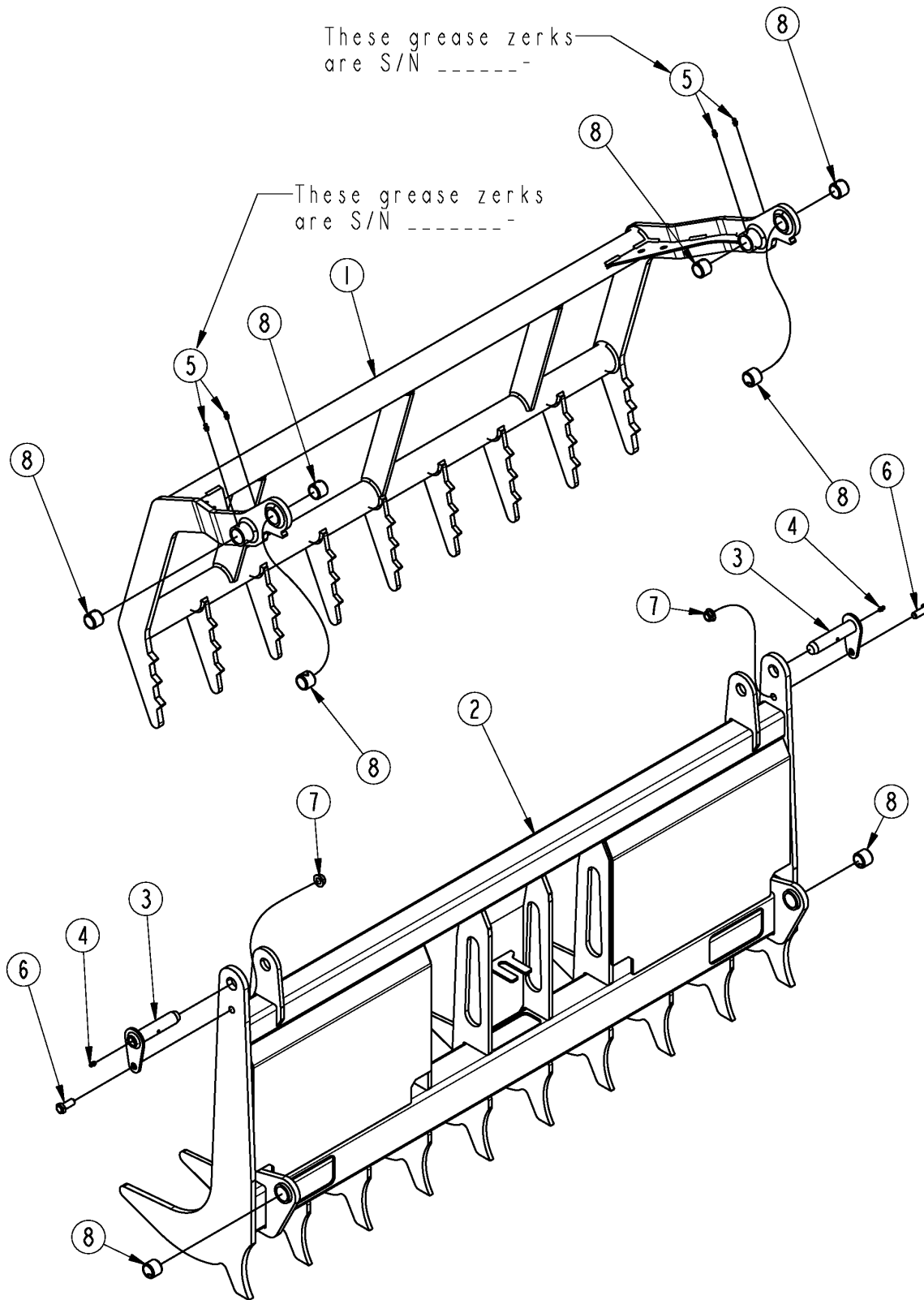
35567

Grapple & Claw Frame Kubota B Series Mount Hitch**Applies to SGC1060, SGC1072**

Ref	Part No.	Part Description	Comments	Revision
	Dwg 12345	Drawing Image Number		
1.	380-087H	WMT, SGC1060 JAW	SGC1060	
1.	380-079H	WMT, SGC1072 JAW	SGC1072	
2.	380-115H	WMT, SGC1060 FRAME, B QA	SGC1060	
2.	380-114H	WMT, SGC1072 FRAME, B QA	SGC1072	
3.	380-155D	PIN CLVS HDLSS 1.00X4.14 USBL		
4.	380-305H	WMT, PIVOT PIN	S/N _____+	
4.	380-081H	RPBY 380-305H	S/N _____- (Obsolete)	
5.	800-001C	GREASE ZERK STRAIGHT 1/4-28	S/N _____+	
6.	800-080C	GREASE ZERK 1/4-28 THD FORMING	S/N _____-	
7.	802-034C	HHCS 1/2-13X1 1/4 GR5		
8.	802-152C	HHCS 1/4-20X2 GR5		
9.	803-169C	NUT HEX FLG LOCK 1/2-13 PLT		
10.	803-255C	NUT HEX NYLOCK 1/4-20		
11.	890-005C	BUSHING CYL 1 1/4 X 1 X 1		

Grapple & Claw Frame No Mount Hitch

Applies to SGC1060, SGC1072



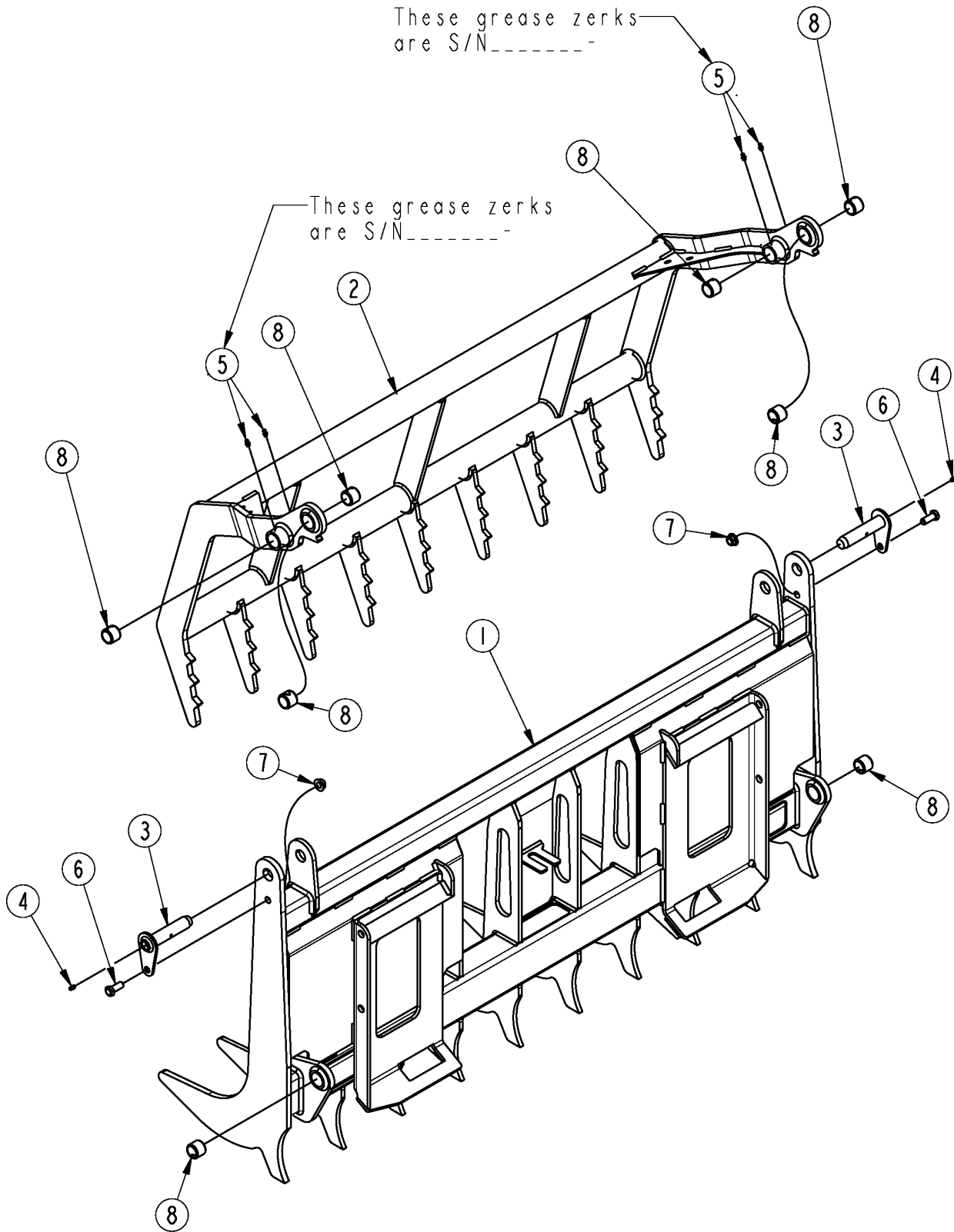
35819

Grapple & Claw Frame No Mount Hitch**Applies to SGC1060, SGC1072**

Ref	Part No.	Part Description	Comments	Revision
	Dwg 35819	Drawing Image Number		
1.	380-087H	WMT, SGC1060 JAW	SGC1060	
1.	380-079H	WMT, SGC1072 JAW	SGC1072	
2.	380-140H	SGC1060 FRAME, BLANK BACK	SGC1060	
2.	380-139H	SGC1072 FRAME, BLANK BACK	SGC1072	
3.	380-305C	WMT, PIVOT PIN	S/N _____+	
3.	380-081H	RPBY 380-305H	S/N _____- (Obsolete)	
4.	800-001C	GREASE ZERK STRAIGHT 1/4-28	S/N _____+	
5.	800-080C	GREASE ZERK 1/4-28 THD FORMING	S/N _____-	
6.	802-034C	HHCS 1/2-13X1 1/4 GR5		
7.	803-169C	NUT HEX FLG LOCK 1/2-13 PLT		
8.	890-005C	BUSHING CYL 1 1/4 X 1 X 1		

Grapple & Claw Frame Standard Two Lever Hitch

Applies to SGC1060, SGC1072



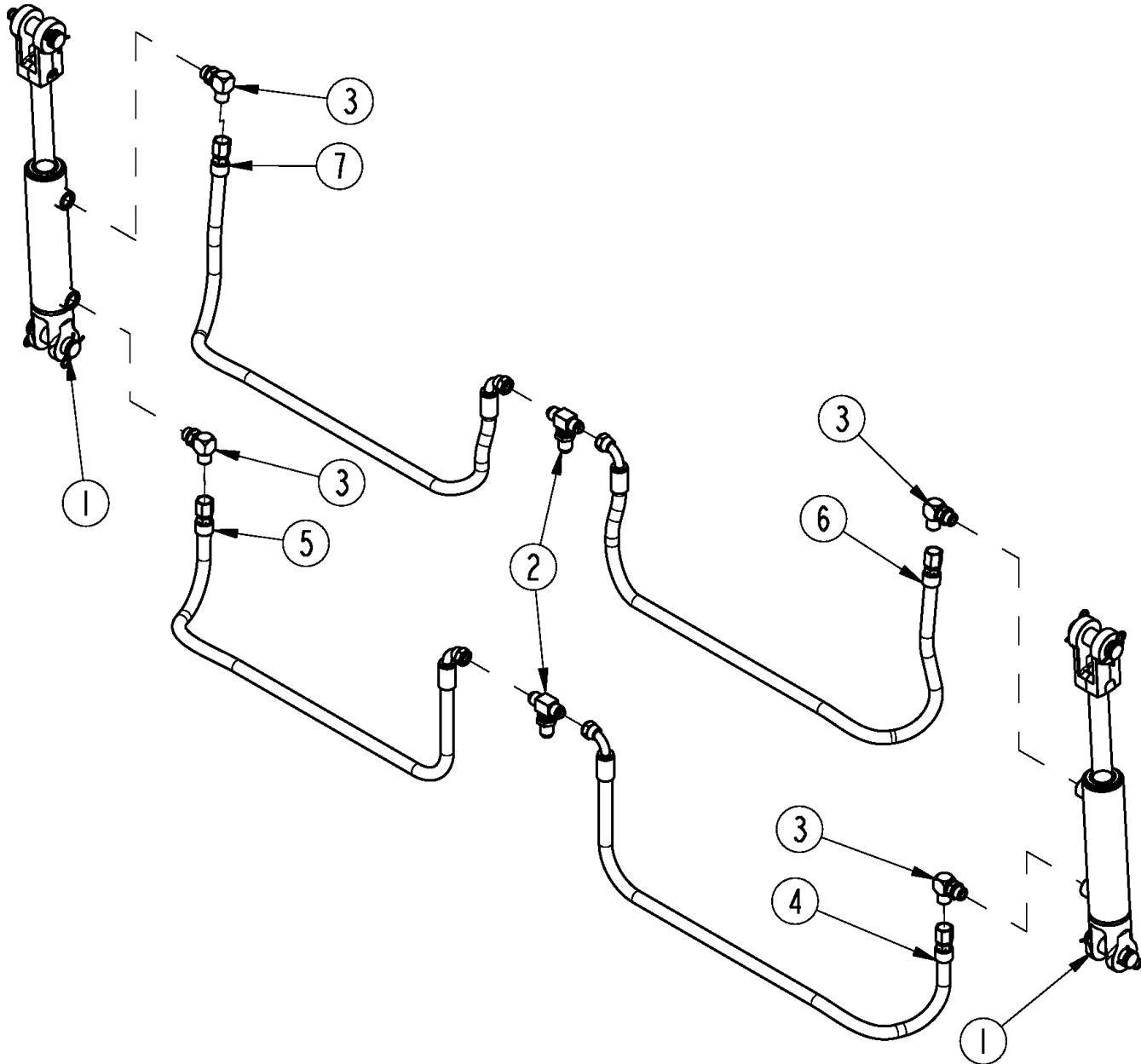
35566

Grapple & Claw Frame Standard Two Lever Hitch**Applies to SGC1060, SGC1072**

Ref	Part No.	Part Description	Comments	Revision
	Dwg 35566	Drawing Image Number		
1.	380-082H	WMT, SGC1060 FRAME, 2 LEVR	SGC1060	
1.	380-078H	WMT, SGC1072 FRAME, 2 LEVR	SGC1072	
2.	380-087H	WMT, SGC1060 JAW	SGC1060	
2.	380-079H	WMT, SGC1072 JAW	SGC1072	
3.	380-305H	WMT, PIVOT PIN	S/N _____+	
3.	380-081H	RPBY 380-305H	S/N _____- (Obsolete)	
4.	800-001C	GREASE ZERK STRAIGHT 1/4-28	S/N _____+	
5.	800-080C	GREASE ZERK 1/4-28 THD FORMING	S/N _____-	
6.	802-034C	HHCS 1/2-13X1 1/4 GR5		
7.	803-169C	NUT HEX FLG LOCK 1/2-13 PLT		
8.	890-005C	BUSHING CYL 1 1/4 X 1 X 1		

Hydraulic Components

Applies to SGC1060, SGC1072



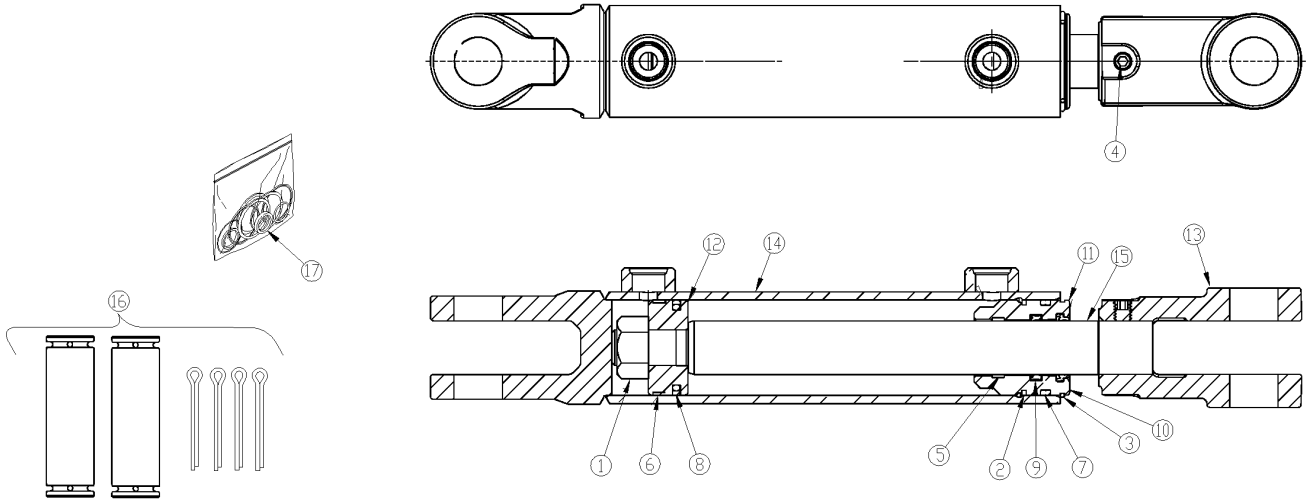
35568

Hydraulic Components**Applies to SGC1060, SGC1072**

Ref	Part No.	Part Description	Comments	Revision
	dwg35568	Drawing Image Number		
1.	810-734C	CYL 2X6X1.125 WELDED		
2.	811-039C	TE 3/4MJICBH 3/4MJIC 3/4MJIC		
3.	811-063C	EL 3/4MJIC 3/4MORB		
4.	851-072C	HH3/8R2 040 3/4FJIC 3/4FJIC90	SGC1060	
4.	851-070C	HH3/8R2 046 3/4FJIC 3/4FJIC90	SGC1072	
5.	851-072C	HH3/8R2 040 3/4FJIC 3/4FJIC90	SGC1060	
5.	851-070C	HH3/8R2 046 3/4FJIC 3/4FJIC90	SGC1072	
6.	851-073C	HH3/8R2 044 3/4FJIC 3/4FJIC90	SGC1060	
6.	851-071C	HH3/8R2 050 3/4FJIC 3/4FJIC90	SGC1072	
7.	851-073C	HH3/8R2 044 3/4FJIC 3/4FJIC90	SGC1060	
7.	851-071C	HH3/8R2 050 3/4FJIC 3/4FJIC90	SGC1072	

Hydraulic Cylinder (810-734C) Monarch

Applies to SGC1060, SGC1072



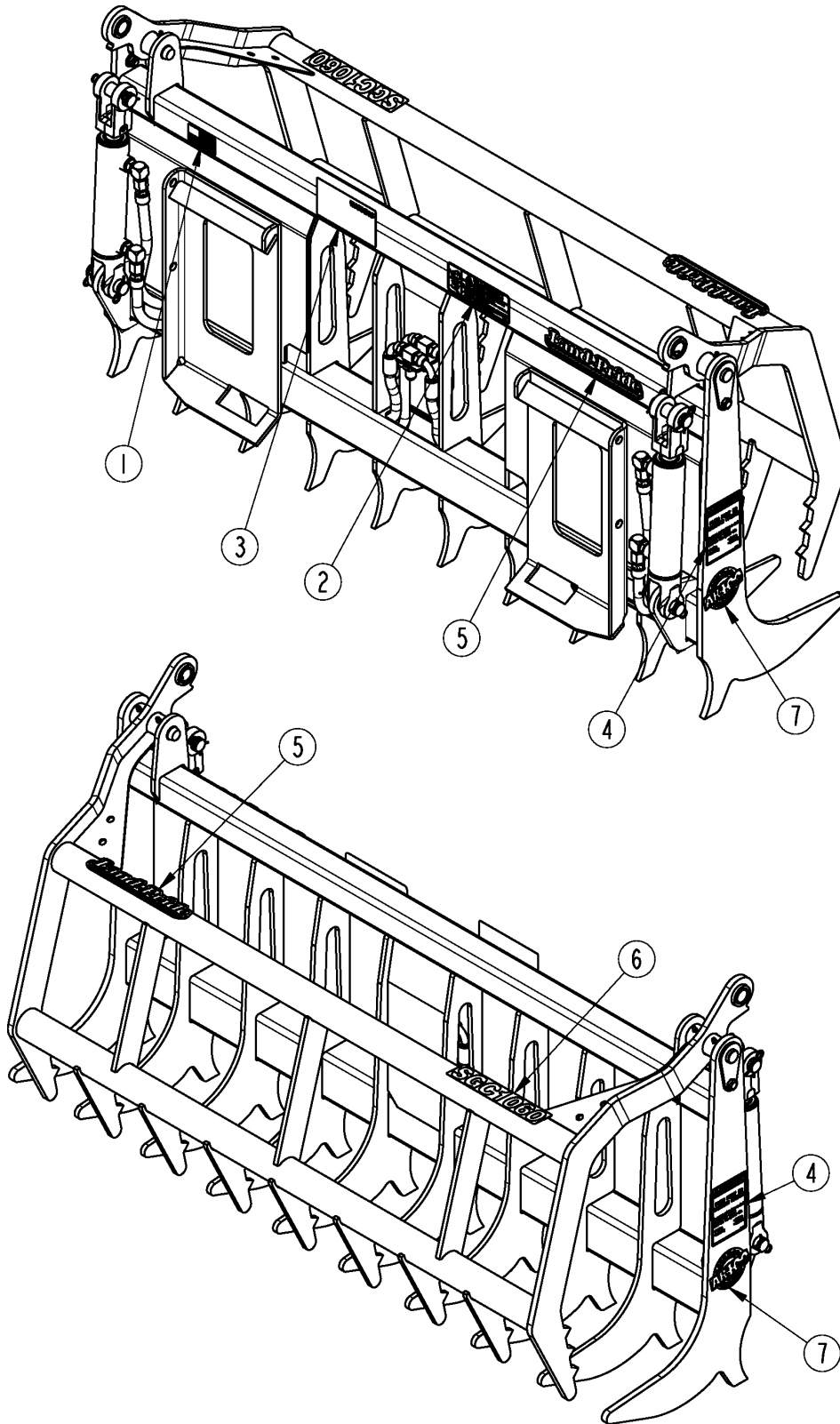
33401

Hydraulic Cylinder (810-734C) Monarch**Applies to SGC1060, SGC1072**

Ref	Part No.	Part Description	Comments	Revision
	Dwg 33401 810-734C	Drawing Image Number CYL 2X6X1.125 WELDED *		
1.	130556	MON PISTON NUT		
2.	138006	MON RETAINING RING INT 2.00		
3.	138007	MON RETAINING RING EXT 2.00		
4.	148000	MON SET SCREW 3/8INC ONE PIECE		
5.	N/A	MON WEAR RING 1.25-1.13-0.250		
6.	N/A	MON WEAR RING 2.00-1.88-0.260		
7.	N/A	MON SEAL ZURCON U-CUP RU9 1.13		
8.	N/A	MON SEAL ZURCON WYNSEAL 2.00		
9.	N/A	MON SEAL DUAL 2.00-.208		
10.	N/A	MON SEAL WIPER 1.13 WNUC TSS		
11.	258753	MON CYL HEAD 2.00-1.13-WET-TSS		
12.	258851	MON PISTON 2.00-.75-TSS-ISO-WR		
13.	492650	LION ROD CLEVIS 1 1/8-12UNF		
14.	741798	MON TUBE WELDT 2.00-06.00-W		
15.	741800	MON ROD CYL 1.12-06-0.75-1.12		
16.	235005	MON PIN KIT 1.00C/W COTTER PIN		
17.	649190	RPBY 850-310C	Obsolete	

Decal Placement

Applies to SGC1060, SGC1072



35569

Decal Placement

Applies to SGC1060, SGC1072

Ref	Part No.	Part Description	Comments	Revision
	dwg35569	Drawing Image Number		
1.	818-190C	DECAL FLAG		
2.	838-094C	DECAL WARNING HYD PRESS LONG		
3.	838-293C	DECAL WARNING READ MANUAL		
4.	838-378C	DECAL WARNING PINCH/CRUSH		
5.	848-159C	DECAL LANDPRIDE 10" BROWN/GOLD		
6.	858-073C	DECAL, SGC1060 GOLD		
6.	858-072C	DECAL, SGC1072 GOLD		
7.	858-108C	DECAL, AR400 STEEL		

Touch-up Paints - LP

Applies to SGC1060, SGC1072

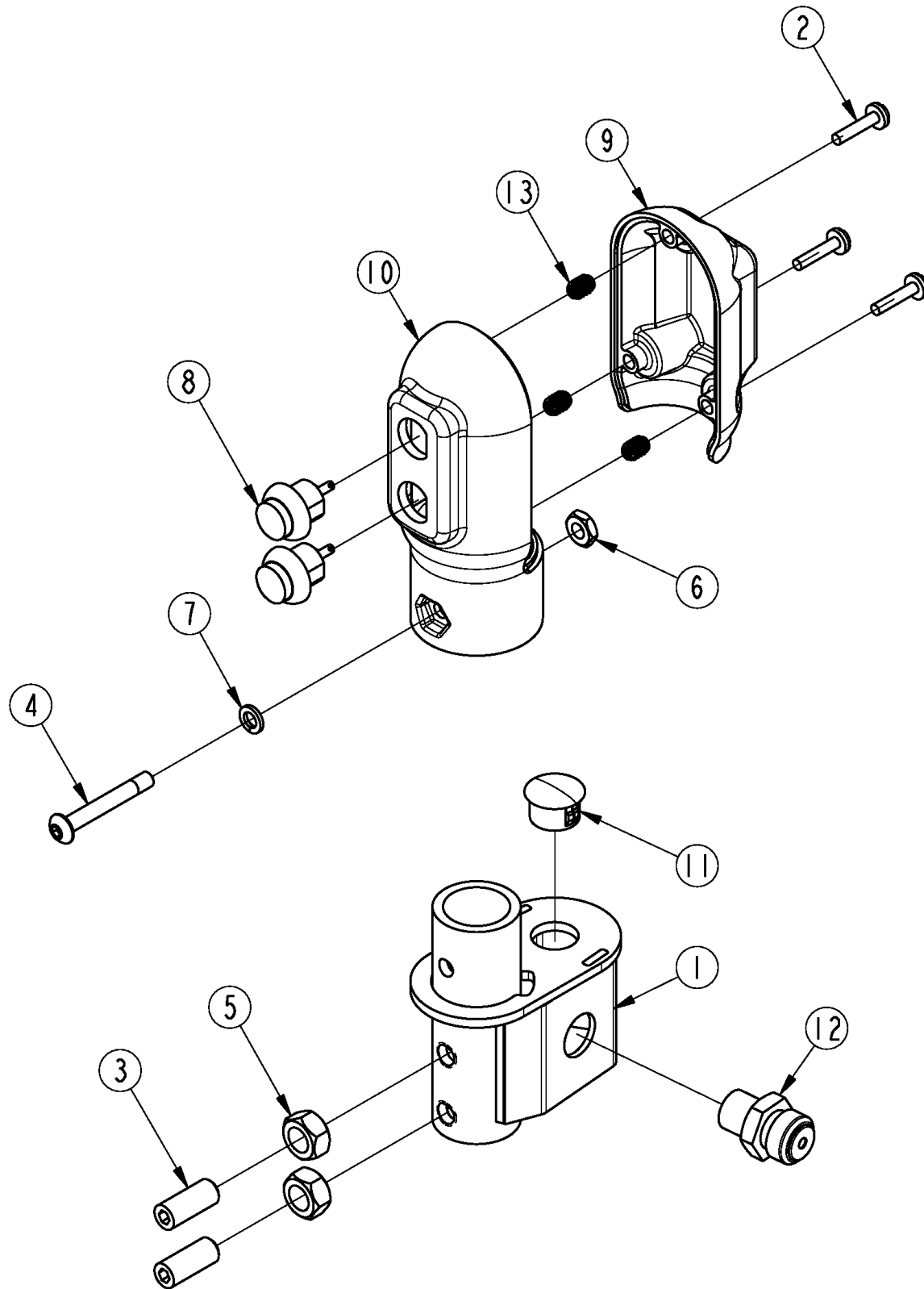
No diagram associated with this Parts List

Touch-up Paints - LP**Applies to SGC1060, SGC1072**

Ref	Part No.	Part Description	Comments	Revision
1.	821-011C	LP BEIGE SPRAY CAN	Spray can	
1.	821-011CTU	LP BEIGE TOUCH-UP 5OZ	Touch-up bottle with brush	
1.	821-011CQT	LP BEIGE QUART	Quart can	
1.	821-011CGL	LP BEIGE GALLON	Gallon can	
2.	821-070C	GLOSS BLACK SPRAY CAN	Spray can	
2.	821-070CTU	GLOSS BLACK TOUCH-UP 5OZ	Touch-up bottle with brush	
2.	821-070CQT	GLOSS BLACK QUART	Quart can	
2.	821-070CGL	GLOSS BLACK GALLON	Gallon can	
3.	821-054C	MED. RED SPRAY TRCK/CTR	Spray can	
3.	821-054CTU	MED RED TOUCH-UP 5OZ	Touch-up bottle with brush	
3.	821-054CQT	MED RED QUART	Quart can	
3.	821-054CGL	MED RED GALLON	Gallon can	
4.	821-058C	GREEN SPRAY CUTTERS	Spray can	
4.	821-058CTU	GREEN TOUCH-UP 5OZ	Touch-up bottle with brush	
4.	821-058CQT	GREEN QUART	Quart can	
4.	821-058CGL	GREEN GALLON	Gallon can	
5.	821-066C	ORANGE SPRAY CAN	Spray can	
5.	821-066CTU	ORANGE TOUCH-UP 5OZ	Touch-up bottle with brush	
5.	821-066CQT	ORANGE QUART	Quart can	
5.	821-066CGL	ORANGE GALLON	Gallon can	
6.	821-067C	BLUE SPRAY CAN	Spray can	
6.	821-067CTU	BLUE TOUCH-UP 5OZ	Touch-up bottle with brush	
6.	821-067CQT	BLUE QUART	Quart can	
6.	821-067CGL	BLUE GALLON	Gallon can	
7.	821-080C	PAINT ALUMINUM/ZINC SPRAY CAN	Spray can	
7.	821-080CTU	PAINT ALUMINUM/ZINC TOUCH UP	Touch-up bottle with brush	
7.	821-080CQT	PAINT ALUMINUM/ZINC QUART	Quart can	
7.	821-080CGL	PAINT ALUMINUM/ZINC GALLON	Gallon can	

Push Button Control Handle 380-314S

Applies to SGC1060, SGC1072



73114

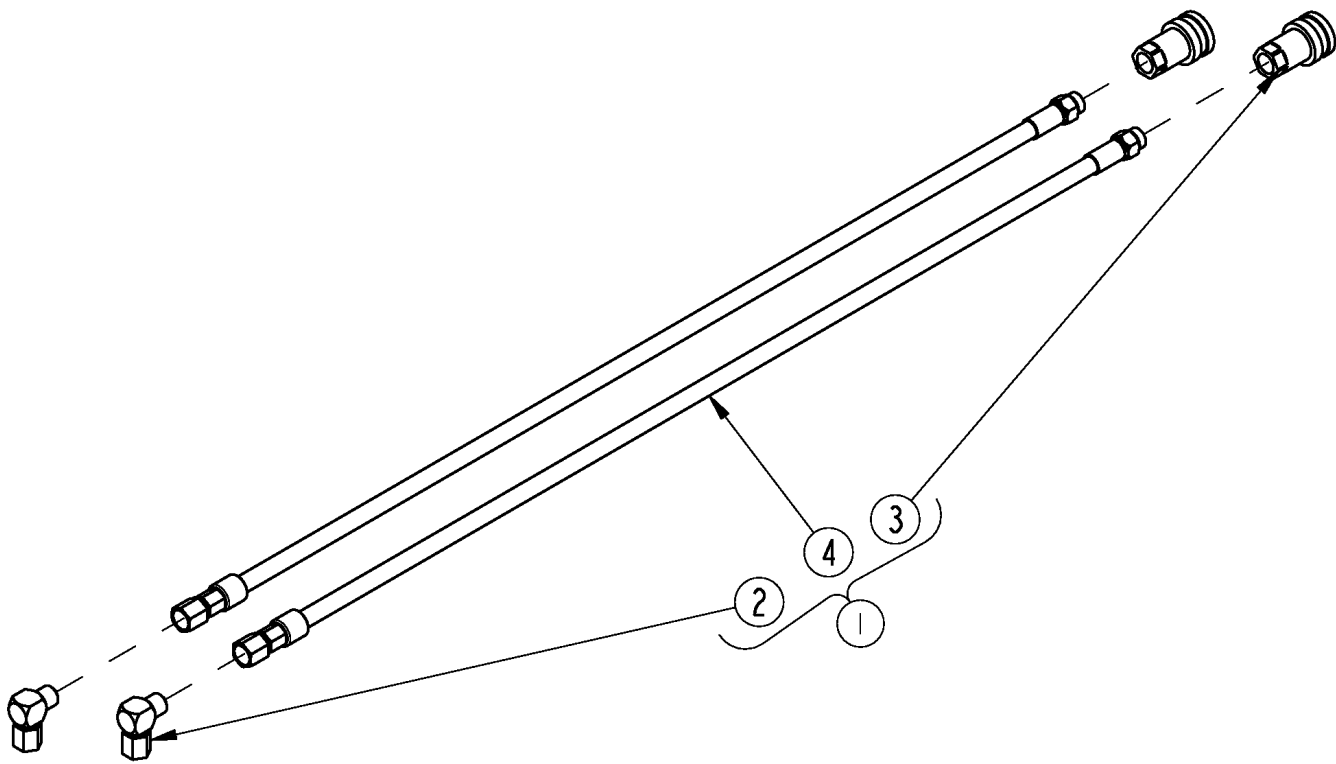
Push Button Control Handle 380-314S

Applies to SGC1060, SGC1072

Ref	Part No.	Part Description	Comments	Revision
	Dwg 73114 380-314S	Image No. ASY, PSH BUTTN CNTRL HNDL CAB *		
1.	380-313H	WMT, CONTROL HANDLE MOUNT		
2.	801-091C	CRPHMS 6-32X5/8 SS		
3.	801-204C	SCREW SET SCKT HD 5/16-18X3/4		
4.	801-250C	HSBHCS #10-32X1 3/8		
5.	803-008C	NUT HEX 5/16-18 PLT		
6.	803-269C	NUT HEX 10-32 PLT		
7.	804-054C	WASHER LOCK #10		
8.	833-739C	SWITCH, P9 PB NO SPST MOM RED		
9.	837-053C	COVER, PUSH BUTTON CNTRL HNDL		
10.	837-054C	BASE, PUSH BUTTON CNTRL HNDL		
11.	837-365C	PLASTIC SNAP-IN PLUG		
12.	843-178C	POWER SWITCH ON/OFF		
13.	99362A300	6-32 BRASS TAPPING INSERT		

Third Function Hose Kit 380-150A

Applies to SGC1060, SGC1072



37014

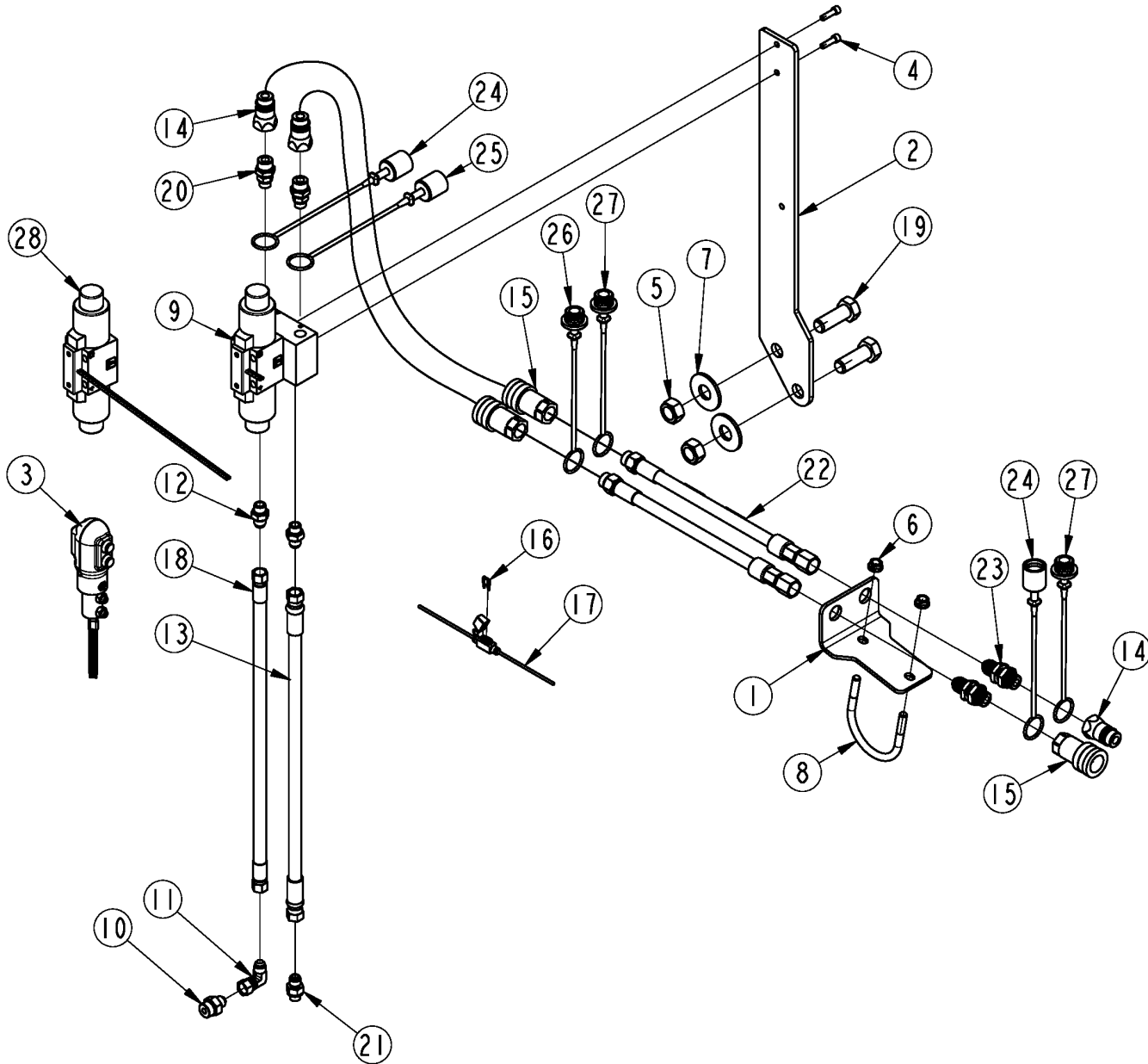
Third Function Hose Kit 380-150A

Applies to SGC1060, SGC1072

Ref	Part No.	Part Description	Comments	Revision
	Dwg 37014	Drawing Image Number		
1.	380-150A	HOSE KIT, THIRD FUNCTION		
2.	811-150C	EL 3/4FJIC 3/4MJIC		
3.	811-870C	CP 3/4FORB QD FEMALE (POPPET)		
4.	851-090C	HH3/8R2 044 3/4FJIC 3/4MORB		

Third Function Valve Kit 380-093A for Kubota B3300 & LA504

Applies to SGC1060, SGC1072



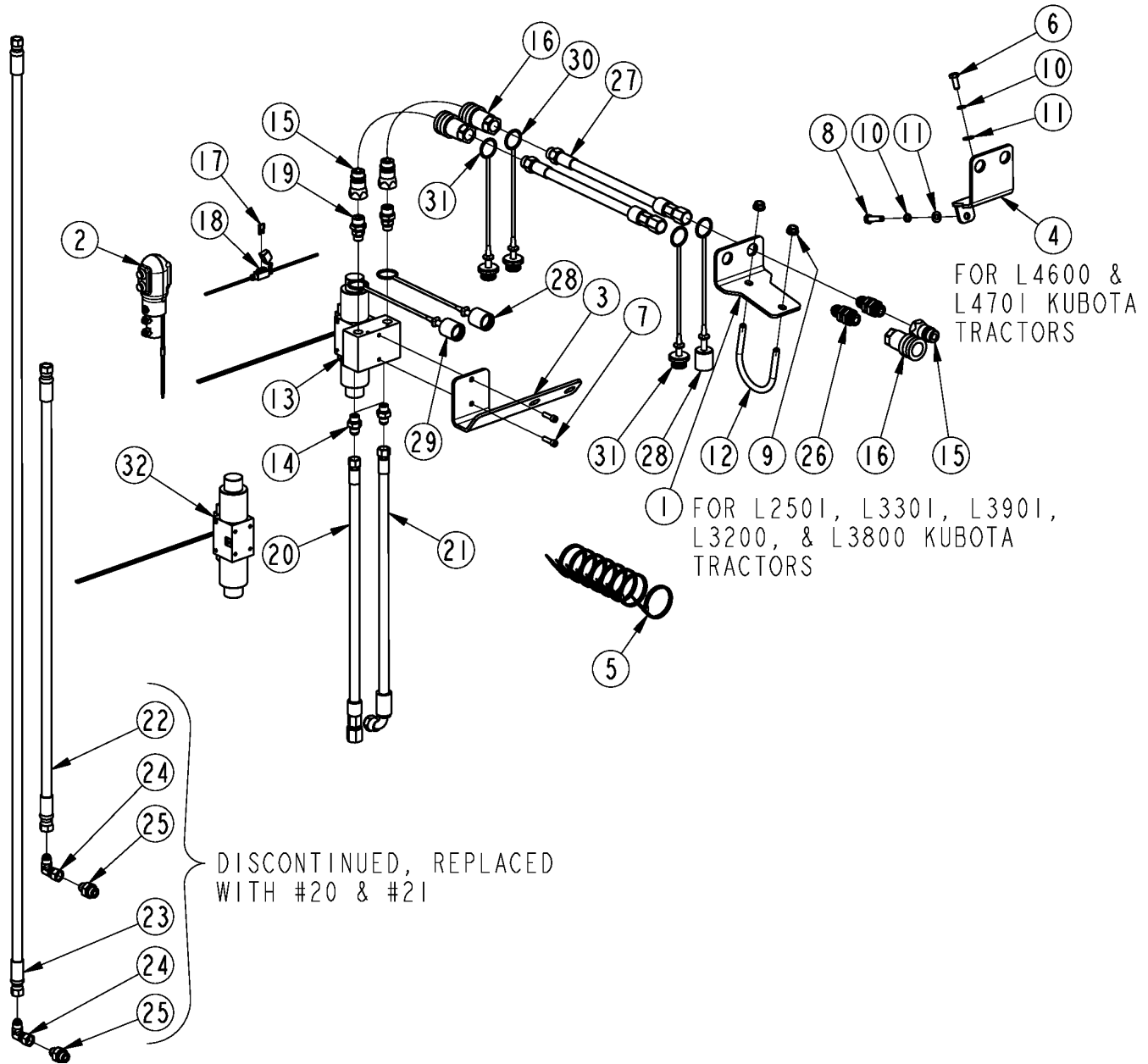
37013

Third Function Valve Kit 380-093A for Kubota B3300 & LA504**Applies to SGC1060, SGC1072**

Ref	Part No.	Part Description	Comments	Revision
	Dwg 37013 380-093A	Drawing Image Number 3FVK PC B3300 *		
1.	380-164D	PLATE, BLKHD MOUNT		
2.	380-165D	PLATE, VALVE MOUNT		
3.	380-165S	ASY, PUSH BUTTON CNTRL HNDL		
4.	802-418C	HSHCS 1/4-20X7/8		
5.	803-112C	NUT HEX M18X2.5		
6.	803-198C	NUT HEX WHIZ 3/8-16 PLT		
7.	804-024C	WASHER FLAT 3/4 USS PLT		
8.	806-261C	U-BOLT 3/8-16X3X3 5/8 RND		
9.	810-926C	VALVE, THIRD FUNCTION		
10.	811-133C	AD 9/16MJIC 3/4MORB		
11.	811-169C	EL 9/16MJIC 9/16FJIC		
12.	811-170C	AD 9/16MORB 9/16MJIC		
13.	811-253C	HH3/8R2 062 9/16FJIC		
14.	811-394C	CP 3/4FORB MALE QD POPPET TYPE		
15.	811-870C	CP 3/4FORB QD FEMALE (POPPET)		
16.	833-495C	FUSE, 10 AMP MINI BLADE		
17.	833-650C	BLADE FUSE HOLDER, MINI		
18.	841-563C	HH3/8R2 048 FJIC9/16FJIC9/16		
19.	842-216C	HHCS M18X2.5X50 GR8.8 FTHD		
20.	851-084C	AD 9/16MORB 3/4MORB		
21.	851-087C	AD 9/16MJIC 1/4MBSPP		
22.	851-088C	HH3/8R2 074 3/4FJIC 3/4MORB		
23.	851-344C	AD 3/4MJIC 3/4MORB BLKHD W/ LN		
24.	861-539C	BLACK DUST CAP, 1/2" QD AG		
25.	861-540C	GREEN DUST CAP, 1/2" QD AG		
26.	861-541C	BLACK DUST PLUG, 1/2" QD AG		
27.	861-542C	GREEN DUST PLUG, 1/2" QD AG		
28.	850-472C	HYDRO-TEK VALVE REPLACEMENT	Replacement valve for 810-926C (valve only)	

Third Function Valve Kit 380-152A for Kubota L2501 L3200 L3800 L3301 L3901 L4600 & L4701

Applies to SGC1060, SGC1072

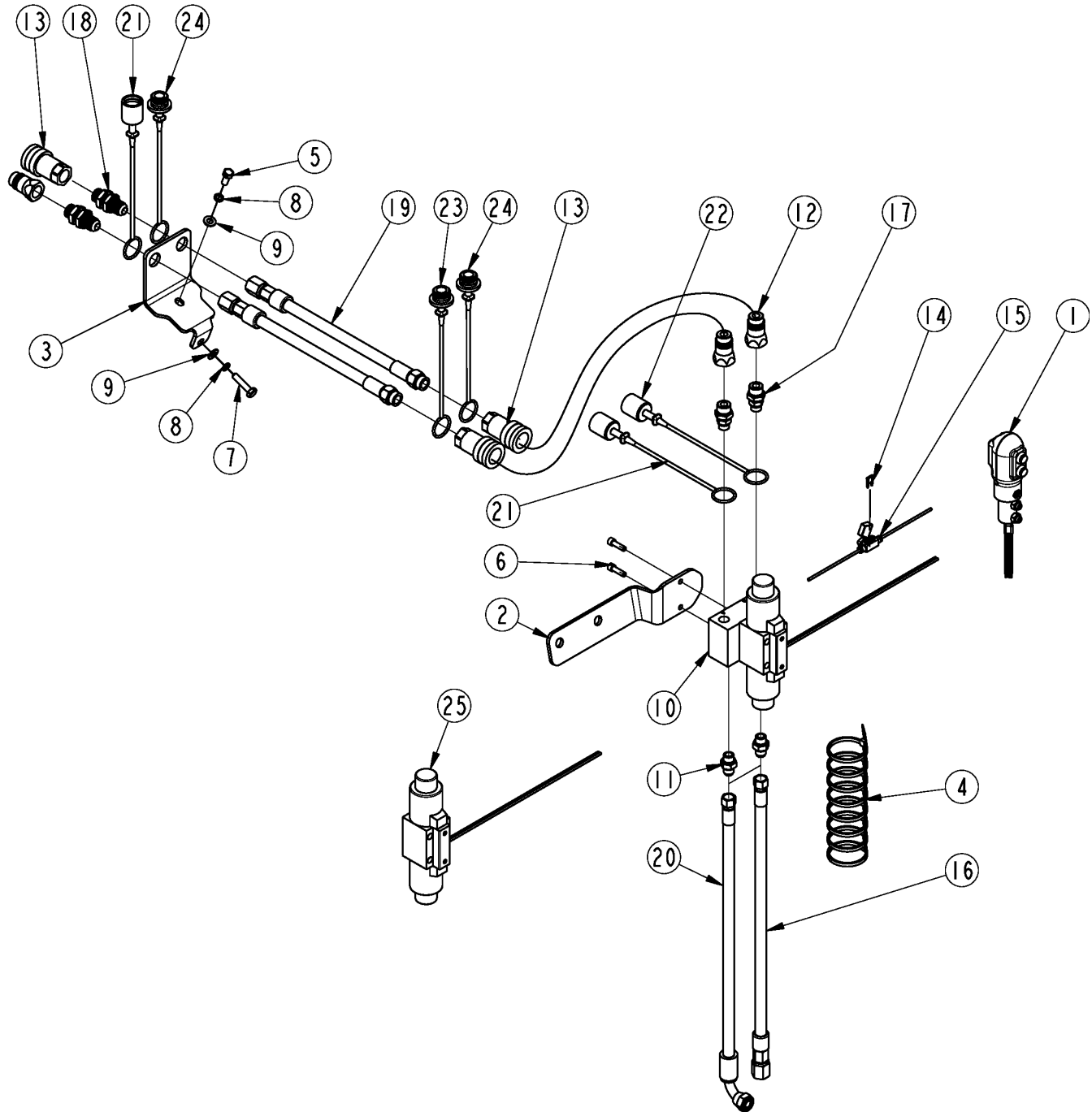


**Third Function Valve Kit 380-152A for Kubota L2501 L3200 L3800 L3301
L3901 L4600 & L4701**

Applies to SGC1060, SGC1072				
Ref	Part No.	Part Description	Comments	Revision
	Dwg 37198	Image No.		
	380-152A	3FVK PC L4701 *		
1.	380-164D	PLATE, BLKHD MOUNT		
2.	380-165S	ASY, PUSH BUTTON CNTRL HNDL		
3.	380-234D	BRKT, VALVE MOUNT		
4.	380-255D	PLATE, BLKHD MOUNT		
5.	800-112C	CABLE TIE .19X7.25 1.75D 50LB		
6.	802-314C	HHCS M8X1.25X20 GR8.8		
7.	802-418C	HSHCS 1/4-20X7/8		
8.	802-967C	HHCS M8X1.25X35 GR8.8		
9.	803-198C	NUT HEX WHIZ 3/8-16 PLT		
10.	804-157C	WASHER SPRING LOCK M8 PLT		
11.	804-161C	WASHER FLAT M8 PLT		
12.	806-261C	U-BOLT 3/8-16X3X3 5/8 RND		
13.	810-926C	VALVE, THIRD FUNCTION		
14.	811-170C	AD 9/16MORB 9/16MJIC		
15.	811-394C	CP 3/4FORB MALE QD POPPET TYPE		
16.	811-870C	CP 3/4FORB QD FEMALE (POPPET)		
17.	833-495C	FUSE, 10 AMP MINI BLADE		
18.	833-650C	BLADE FUSE HOLDER, MINI		
19.	851-084C	AD 9/16MORB 3/4MORB		
20.	841-331C	HH3/8R2 035 3/4FJIC 9/16FJIC		
21.	851-490C	HH3/8R2 035 3/4FJIC90 9/16FJIC		
22.	811-701C	HH3/8R2 033 9/16FJIC		
23.	811-703C	HH3/8R2 068 9/16FJIC		
24.	811-169C	EL 9/16MJIC 9/16FJIC		
25.	851-349C	AD 9/16MJIC 3/8MBSPP		
26.	851-344C	AD 3/4MJIC 3/4MORB BLKHD W/ LN		
27.	851-376C	HH3/8R2 086 3/4FJIC 3/4MORB		
28.	861-539C	DUST CAP, 1/2" QD AG		
29.	861-540C	DUST PLUG, 1/2" QD AG		
30.	861-541C	BLACK DUST PLUG, 1/2" QD AG		
31.	861-542C	GREEN DUST PLUG, 1/2" QD AG		
32.	850-472C	HYDRO-TEK VALVE REPLACEMENT	Replacement valve for 810-926C (valve only)	

Third Function Valve Kit 380-166A for Kubota MX4700, MX4800, MX5100, MX5200, MX5800, & MX6899

Applies to SGC1060, SGC1072



37543

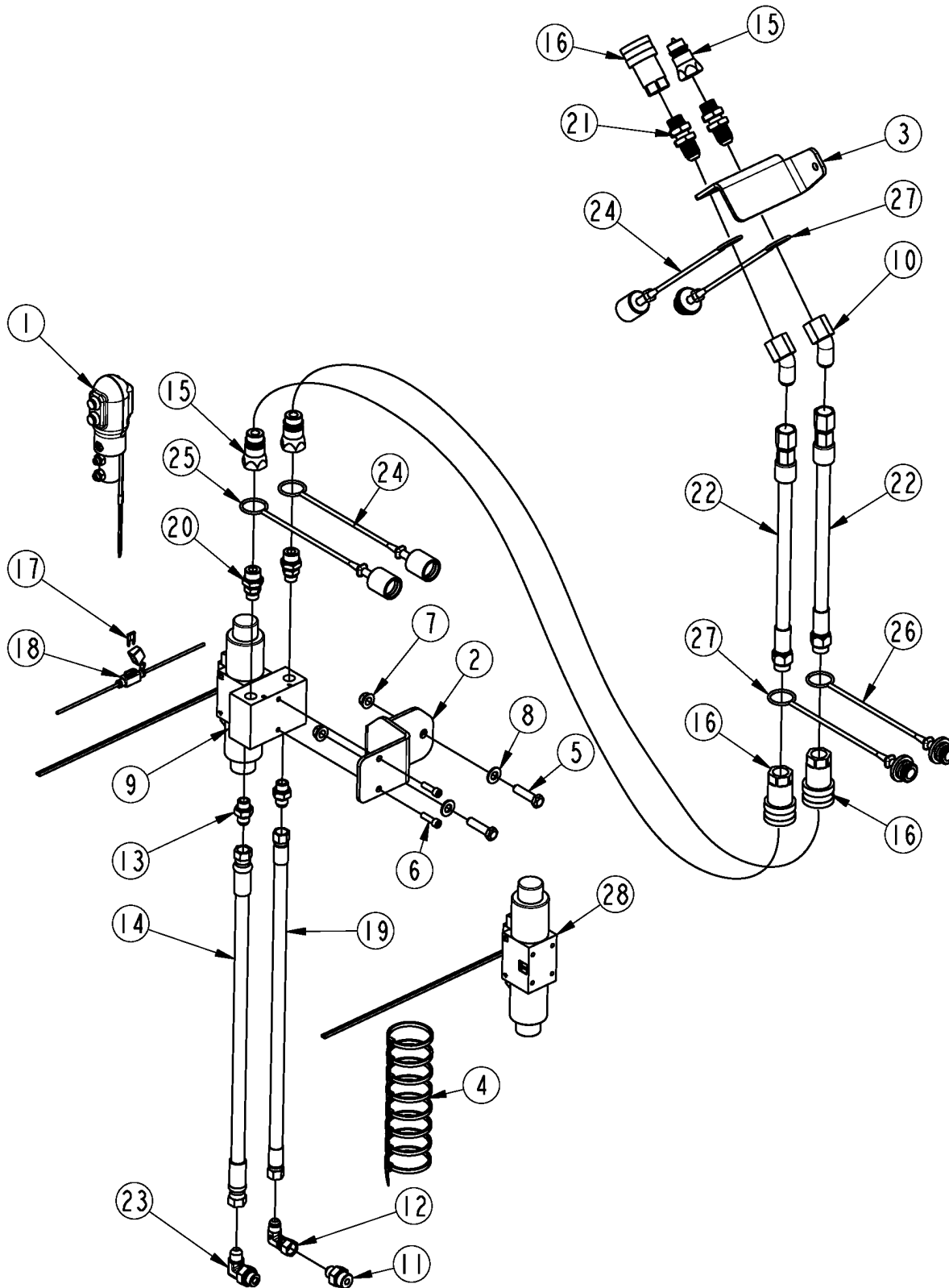
Third Function Valve Kit 380-166A for Kubota MX4700, MX4800, MX5100, MX5200, MX5800, & MX6899

Applies to SGC1060, SGC1072

Part No.	Part Description	Comments	Revision
Dwg 37543 380-166A	Image No. 3FVK PC MX5800 *		
1. 380-165S	ASY, PUSH BUTTON CNTRL HNDL		
2. 380-254D	BRKT, VALVE MOUNT		
3. 380-255D	PLATE, BLKHD MOUNT		
4. 800-112C	CABLE TIE .19X7.25 1.75D 50LB		
5. 802-314C	HHCS M8X1.25X20 GR8.8		
6. 802-418C	HSHCS 1/4-20X7/8		
7. 802-967C	HHCS M8X1.25X35 GR8.8		
8. 804-157C	WASHER SPRING LOCK M8 PLT		
9. 804-161C	WASHER FLAT M8 PLT		
10. 810-926C	VALVE, THIRD FUNCTION		
11. 811-170C	AD 9/16MORB 9/16MJIC		
12. 811-394C	CP 3/4FORB MALE QD POPPET TYPE		
13. 811-870C	CP 3/4FORB QD FEMALE (POPPET)		
14. 833-495C	FUSE, 10 AMP MINI BLADE		
15. 833-650C	BLADE FUSE HOLDER, MINI		
16. 841-331C	HH3/8R2 035 3/4FJIC 9/16FJIC		
17. 851-084C	AD 9/16MORB 3/4MORB		
18. 851-344C	AD 3/4MJIC 3/4MORB BLKHD W/ LN		
19. 851-489C	HH3/8R2 098 3/4FJIC 3/4MORB		
20. 851-490C	HH3/8R2 035 3/4FJIC90 9/16FJIC		
21. 861-539C	BLACK DUST CAP, 1/2" QD AG		
22. 861-540C	GREEN DUST CAP, 1/2" QD AG		
23. 861-541C	BLACK DUST PLUG, 1/2" QD AG		
24. 861-542C	GREEN DUST PLUG, 1/2" QD AG		
25. 850-472C	HYDRO-TEK VALVE REPLACEMENT	Replacement valve for 810-926C (valve only)	

Third Function Valve Kit 380-168A for Kubota B3350 B2650 & LA534 LA534A

Applies to SGC1060, SGC1072



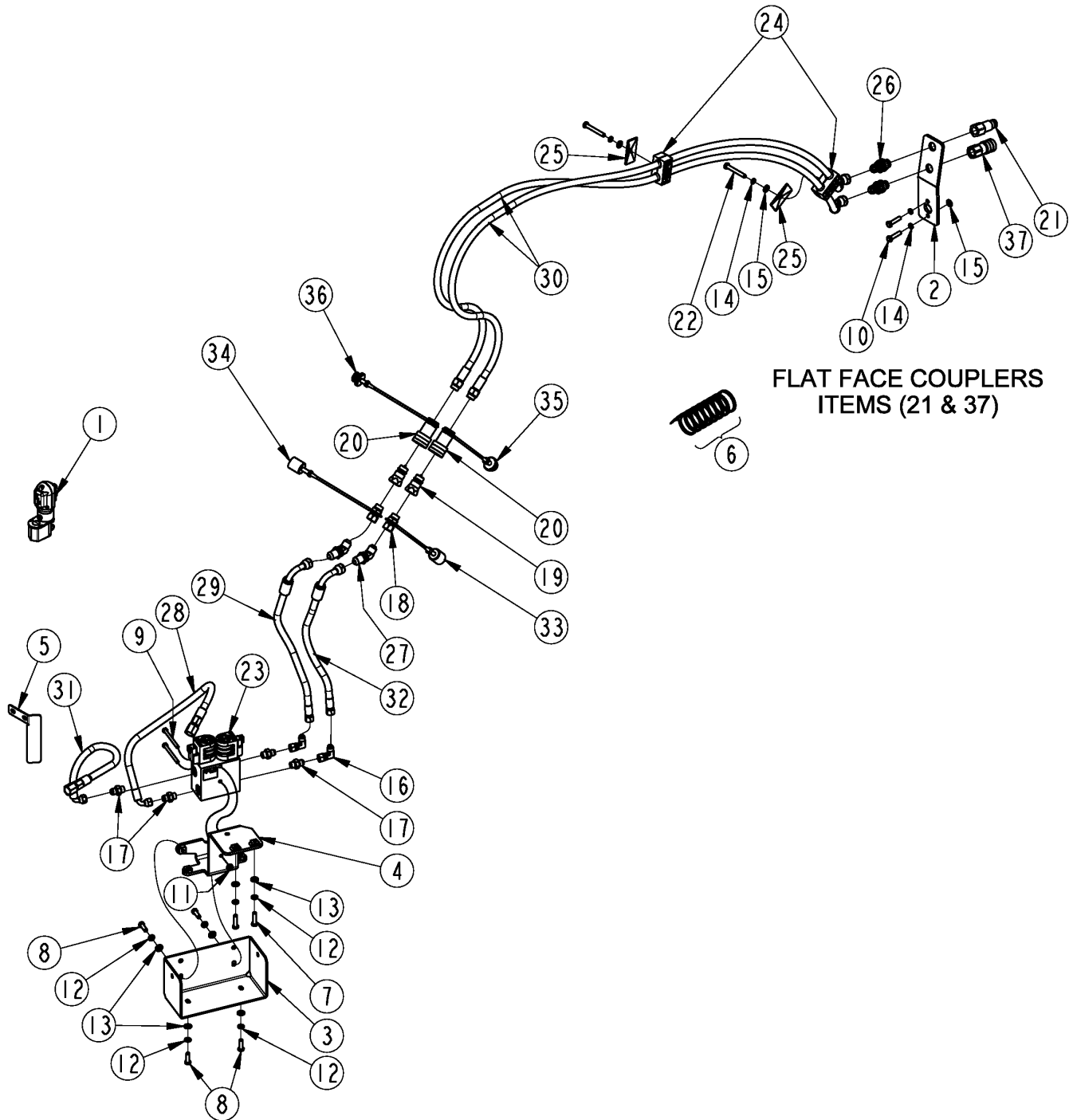
37632

Third Function Valve Kit 380-168A for Kubota B3350 B2650 & LA534 LA534A**Applies to SGC1060, SGC1072**

Ref	Part No.	Part Description	Comments	Revision
	Dwg 37632 380-168A	Image No. 3FVK PC B3350 *		
1.	380-165S	ASY, PUSH BUTTON CNTRL HNDL		
2.	380-256D	BRKT, VALVE MOUNT		
3.	380-257D	PLATE, BLKHD MOUNT		
4.	800-112C	CABLE TIE .19X7.25 1.75D 50LB		
5.	802-022C	HHCS 3/8-16X1 1/2 GR5		
6.	802-418C	HSHCS 1/4-20X7/8		
7.	803-209C	NUT FLANGE LOCK 3/8-16 PLT		
8.	804-012C	WASHER FLAT 3/8 SAE PLT		
9.	810-926C	VALVE, THIRD FUNCTION		
10.	811-040C	EL 45 3/4MJIC 3/4FJIC		
11.	811-133C	AD 9/16MJIC 3/4MORB		
12.	811-169C	EL 9/16MJIC 9/16FJIC		
13.	811-170C	AD 9/16MORB 9/16MJIC		
14.	811-253C	HH3/8R2 062 9/16FJIC		
15.	811-394C	CP 3/4FORB MALE QD POPPET TYPE		
16.	811-870C	CP 3/4FORB QD FEMALE (POPPET)		
17.	833-495C	FUSE, 10 AMP MINI BLADE		
18.	833-650C	BLADE FUSE HOLDER, MINI		
19.	841-563C	HH3/8R2 048 FJIC9/16FJIC9/16		
20.	851-084C	AD 9/16MORB 3/4MORB		
21.	851-344C	AD 3/4MJIC 3/4MORB BLKHD W/ LN		
22.	851-376C	HH3/8R2 086 3/4FJIC 3/4MORB		
23.	851-768C	EL 3/8MBSPP 9/16MJIC		
24.	861-539C	BLACK DUST CAP, 1/2" QD AG		
25.	861-540C	DUST PLUG, 1/2" QD AG		
26.	861-541C	GREEN DUST CAP, 1/2" QD AG		
27.	861-542C	BLACK DUST PLUG, 1/2" QD AG		
28.	850-472C	HYDRO-TEK VALVE REPLACEMENT	Replacement valve for 810-926C (valve only)	

Third Function Valve Kit 380-311A with Flat Face Couplers For Kubota MX5400 & MX6000 With Cab

Applies to SGC1060, SGC1072



73107

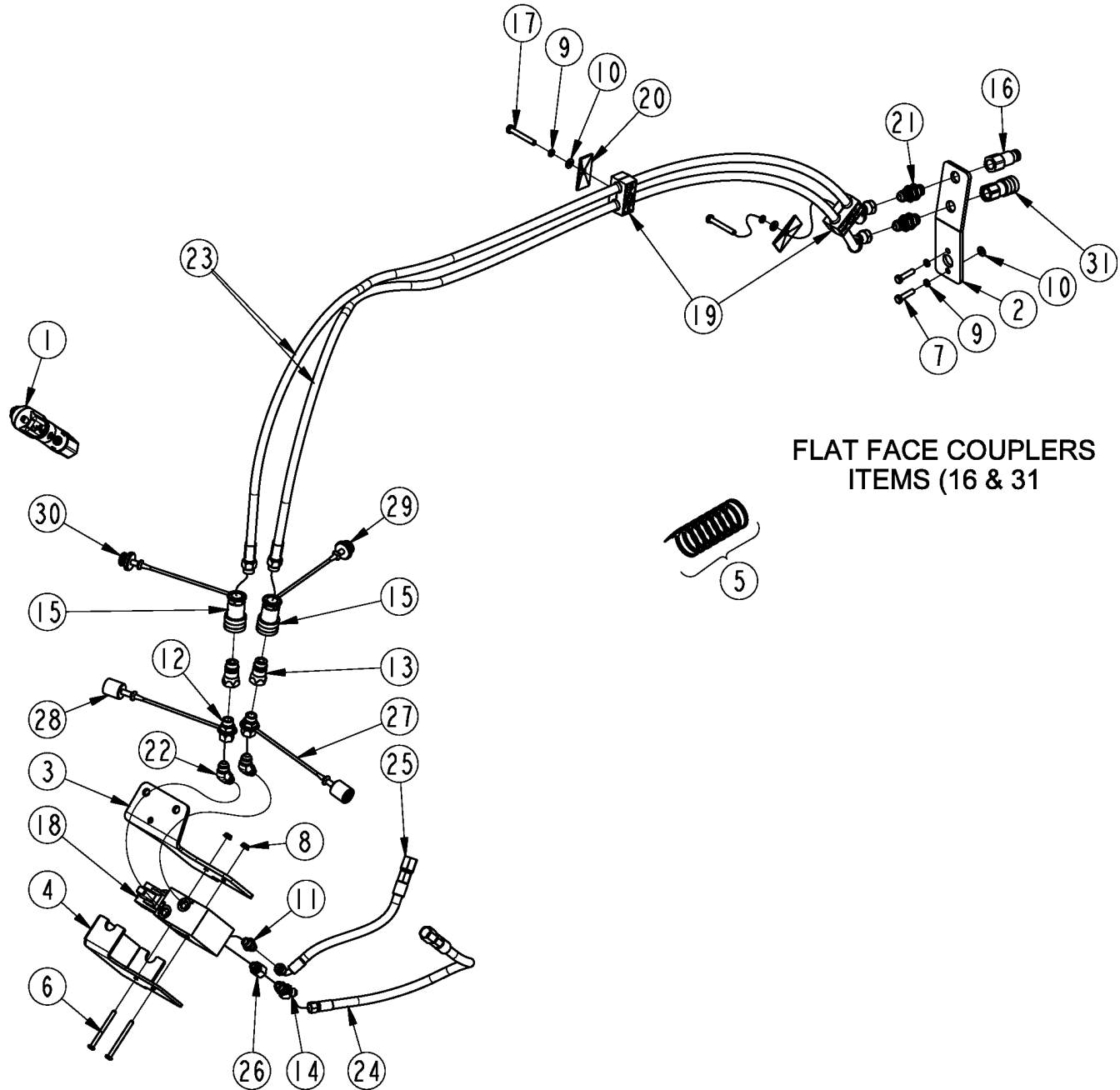
Third Function Valve Kit 380-311A with Flat Face Couplers For Kubota MX5400 & MX6000 With Cab

Applies to SGC1060, SGC1072

Part No.	Part Description	Comments	Revision
Dwg 73107 380-311A	Image No. 3FVK FF MX6000 CAB *		
1.	380-314S	ASY, PSH BUTTN CNTRL HNDL CAB	
2.	380-418D	PLATE, BULKHEAD MOUNT	
3.	380-419D	COVER PLATE, 3RD VALVE	
4.	380-310H	WMT, VALVE MNT BRKT	
5.	380-427D	COVER BRKT, WIRE HARNESS	
6.	800-112C	CABLE TIE .19X7.25 1.75D 50LB	
7.	802-010C	HHCS 5/16-18X1 1/4 GR5	
8.	802-159C	HHCS 5/16-18X1 GR5	
9.	802-274C	HHCS 1/4-20X3 GR5	
10.	802-967C	HHCS M8X1.25X35 GR8.8	
11.	803-194C	NUT HEX WHIZ 1/4-20 PLT	
12.	804-009C	WASHER LOCK SPRING 5/16 PLT	
13.	804-036C	WASHER FLAT 5/16 SAE PLT	
14.	804-157C	WASHER SPRING LOCK M8 PLT	
15.	804-161C	WASHER FLAT M8 PLT	
16.	811-169C	EL 9/16MJIC 9/16FJIC	
17.	811-170C	AD 9/16MORB 9/16MJIC	
18.	811-324C	AD 3/4MORB 3/4FJIC	
19.	811-394C	CP 3/4FORB MALE QD POPPET TYPE	
20.	811-870C	CP 3/4FORB QD FEMALE (POPPET)	
21.	841-099C	CP 3/4FORB QD FLATFACE	
22.	842-017C	HHCS M8X1.25X60 GR8.8	
23.	850-313C	VALVE, THIRD FUNCTION (DELTA)	
24.	851-241C	STAUFF CLAMP BODY 3D 0.79HOLE	
25.	851-245C	STAUFF COVER PLATE GROUP 3D	
26.	851-344C	AD 3/4MJIC 3/4MORB BLKHD W/ LN	
27.	851-481C	EL 3/4MJIC BLKHD 45 W/ LN	
28.	861-426C	HH3/8R2 022 9/16FJIC90 3/4FJIC	
29.	861-427C	HH3/8R2 017 9/16FJIC 3/4FJIC90	
30.	861-428C	HH3/8R2 090 3/4FJIC45 3/4MORB	
31.	861-462C	HH3/8R2 018 9/16FJIC90 3/4FJIC	
32.	861-471C	HH3/8R2 016 9/16FJIC 3/4FJIC90	
33.	861-539C	BLACK DUST CAP, 1/2" QD AG	
34.	861-540C	GREEN DUST CAP, 1/2" QD AG	
35.	861-541C	BLACK DUST PLUG, 1/2" QD AG	
36.	861-542C	GREEN DUST PLUG, 1/2" QD AG	
37.	861-543C	CP 3/4FORB QD FML FLATFACE	

Third Function Valve Kit 380-312A with Flat Face Couplers For Kubota MX5400 & MX6000 With ROPS

Applies to SGC1060, SGC1072



73110

Third Function Valve Kit 380-312A with Flat Face Couplers For Kubota MX5400 & MX6000 With ROPS

Applies to SGC1060, SGC1072

Part No.	Part Description	Comments	Revision
Dwg 73110	Image No.		
380-312A	3FVK FF MX6000 ROPS *		
1. 380-324S	ASY, PSH BUTTN CNTRL HNDL ROPS		
2. 380-418D	PLATE, BULKHEAD MOUNT		
3. 380-421D	BRKT, VALVE MOUNT		
4. 380-422D	COVER, 3RD VALVE		
5. 800-112C	CABLE TIE .19X7.25 1.75D 50LB		
6. 802-274C	HHCS 1/4-20X3 GR5		
7. 802-967C	HHCS M8X1.25X35 GR8.8		
8. 803-194C	NUT HEX WHIZ 1/4-20 PLT		
9. 804-157C	WASHER SPRING LOCK M8 PLT		
10. 804-161C	WASHER FLAT M8 PLT		
11. 811-170C	AD 9/16MORB 9/16MJIC		
12. 811-324C	AD 3/4MORB 3/4FJIC		
13. 811-394C	CP 3/4FORB MALE QD POPPET TYPE		
14. 811-416C	EL 45 9/16MJIC 9/16MORB		
15. 811-870C	CP 3/4FORB QD FEMALE (POPPET)		
16. 841-099C	CP 3/4FORB QD FLATFACE		
17. 842-017C	HHCS M8X1.25X60 GR8.8		
18. 850-313C	VALVE, THIRD FUNCTION (DELTA)		
19. 851-241C	STAUFF CLAMP BODY 3D 0.79HOLE		
20. 851-245C	STAUFF COVER PLATE GROUP 3D		
21. 851-344C	AD 3/4MJIC 3/4MORB BLKHD W/ LN		
22. 851-647C	EL 45 9/16MORB 3/4MJIC		
23. 861-428C	HH3/8R2 3/4FJIC45 3/4MORB		
24. 861-430C	HH3/8R2 023 3/4FJIC 9/16FJIC		
25. 861-431C	HH3/8R2 013 3/4FJIC 9/16FJIC90		
26. 861-528C	AD 9/16MORB 9/16FORB		
27. 861-539C	BLACK DUST CAP, 1/2" QD AG		
28. 861-540C	GREEN DUST CAP, 1/2" QD AG		
29. 861-541C	BLACK DUST PLUG, 1/2" QD AG		
30. 861-542C	GREEN DUST PLUG, 1/2" QD AG		
31. 861-543C	CP 3/4FORB QD FML FLATFACE		

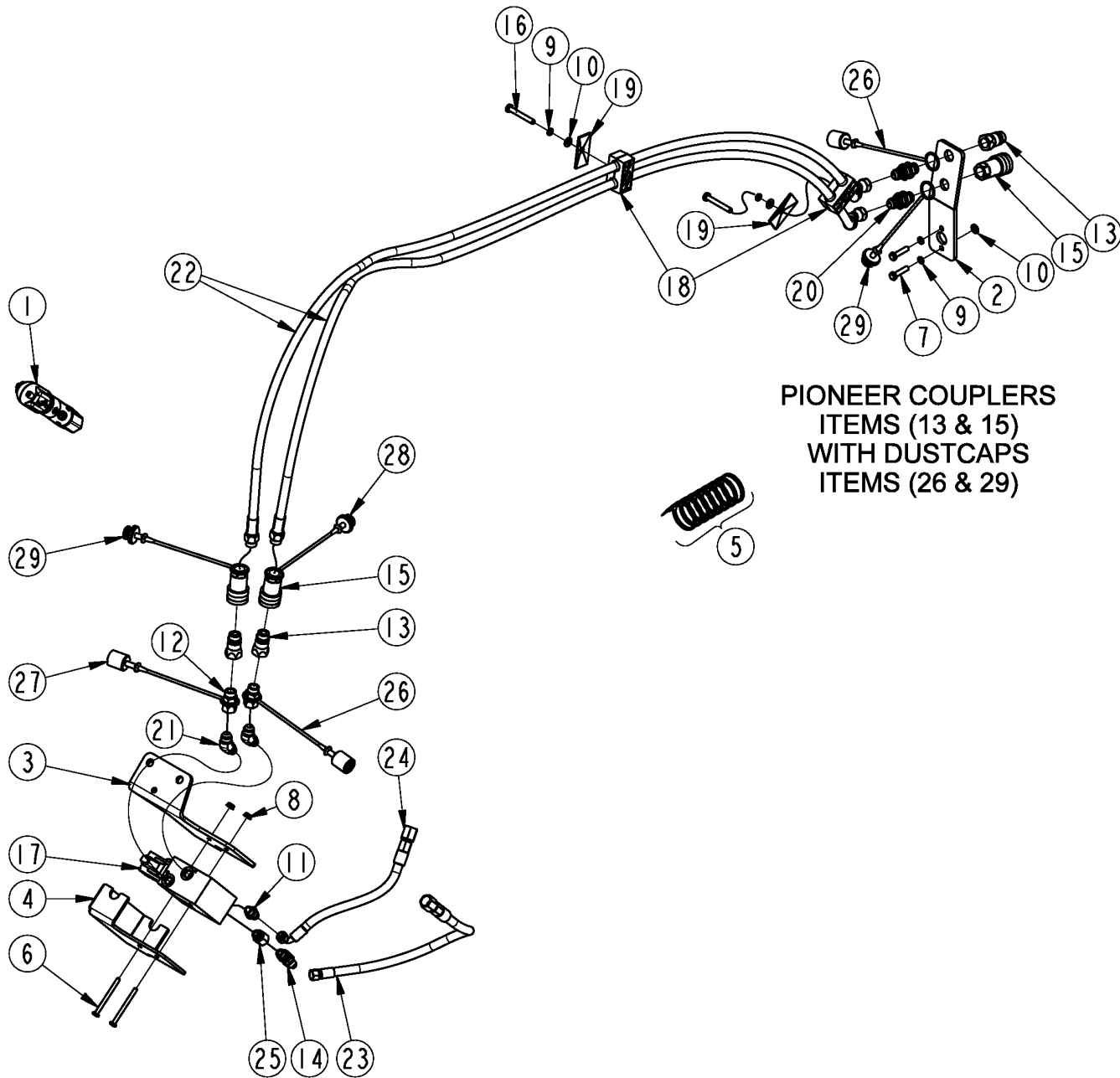
Third Function Valve Kit 380-330A with Pioneer Couplers For Kubota MX5400 & MX6000 With Cab

Applies to SGC1060, SGC1072

Part No.	Part Description	Comments	Revision
Dwg 73106	Image No.		
380-330A	3FVK PC MX6000 CAB *		
1.	380-314S	ASY, PSH BUTTN CNTRL HNDL CAB	
2.	380-418D	PLATE, BULKHEAD MOUNT	
3.	380-419D	COVER PLATE, 3RD VALVE	
4.	380-310H	WMT, VALVE MNT BRKT	
5.	380-427D	COVER BRKT, WIRE HARNESS	
6.	800-112C	CABLE TIE .19X7.25 1.75D 50LB	
7.	802-010C	HHCS 5/16-18X1 1/4 GR5	
8.	802-159C	HHCS 5/16-18X1 GR5	
9.	802-274C	HHCS 1/4-20X3 GR5	
10.	802-967C	HHCS M8X1.25X35 GR8.8	
11.	804-009C	WASHER LOCK SPRING 5/16 PLT	
12.	804-036C	WASHER FLAT 5/16 SAE PLT	
13.	804-157C	WASHER SPRING LOCK M8 PLT	
14.	804-161C	WASHER FLAT M8 PLT	
15.	811-169C	EL 9/16MJIC 9/16FJIC	
16.	811-170C	AD 9/16MORB 9/16MJIC	
17.	811-324C	AD 3/4MORB 3/4FJIC	
18.	811-394C	CP 3/4FORB MALE QD POPPET TYPE	
19.	811-870C	CP 3/4FORB QD FEMALE (POPPET)	
20.	842-017C	HHCS M8X1.25X60 GR8.8	
21.	850-313C	VALVE, THIRD FUNCTION (DELTA)	
22.	851-241C	STAUFF CLAMP BODY 3D 0.79HOLE	
23.	851-245C	STAUFF COVER PLATE GROUP 3D	
24.	851-344C	AD 3/4MJIC 3/4MORB BLKHD W/ LN	
25.	851-481C	EL 3/4MJIC BLKHD 45 W/ LN	
26.	861-426C	HH3/8R2 022 9/16FJIC90 3/4FJIC	
27.	861-427C	HH3/8R2 017 9/16FJIC 3/4FJIC90	
28.	861-428C	HH3/8R2 090 3/4FJIC45 3/4MORB	
29.	861-462C	HH3/8R2 018 9/16FJIC90 3/4FJIC	
30.	861-471C	HH3/8R2 016 9/16FJIC 3/4FJIC90	
31.	861-539C	BLACK DUST CAP, 1/2" QD AG	
32.	861-540C	GREEN DUST CAP, 1/2" QD AG	
33.	861-541C	BLACK DUST PLUG, 1/2" QD AG	
34.	861-542C	GREEN DUST PLUG, 1/2" QD AG	
35.	803-194c	NUT HEX WHIZ 1/4-20 PLT	

Third Function Valve Kit 380-331A with Pioneer Couplers For Kubota MX5400 & MX6000 With ROPS

Applies to SGC1060, SGC1072



73109

Third Function Valve Kit 380-331A with Pioneer Couplers For Kubota MX5400 & MX6000 With ROPS

Applies to SGC1060, SGC1072

Part No.	Part Description	Comments	Revision
Dwg 73109	Image No.		
380-331A	3FVK PC MX6000 ROPS *		
1. 380-324S	ASY, PSH BUTTN CNTRL HNDL ROPS		
2. 380-418D	PLATE, BULKHEAD MOUNT		
3. 380-421D	BRKT, VALVE MOUNT		
4. 380-422D	COVER, 3RD VALVE		
5. 800-112C	CABLE TIE .19X7.25 1.75D 50LB		
6. 802-274C	HHCS 1/4-20X3 GR5		
7. 802-967C	HHCS M8X1.25X35 GR8.8		
8. 803-194C	NUT HEX WHIZ 1/4-20 PLT		
9. 804-157C	WASHER SPRING LOCK M8 PLT		
10. 804-161C	WASHER FLAT M8 PLT		
11. 811-170C	AD 9/16MORB 9/16MJIC		
12. 811-324C	AD 3/4MORB 3/4FJIC		
13. 811-394C	CP 3/4FORB MALE QD POPPET TYPE		
14. 811-416C	EL 45 9/16MJIC 9/16MORB		
15. 811-870C	CP 3/4FORB QD FEMALE (POPPET)		
16. 842-017C	HHCS M8X1.25X60 GR8.8		
17. 850-313C	VALVE, THIRD FUNCTION (DELTA)		
18. 851-241C	STAUFF CLAMP BODY 3D 0.79HOLE		
19. 851-245C	STAUFF COVER PLATE GROUP 3D		
20. 851-344C	AD 3/4MJIC 3/4MORB BLKHD W/ LN		
21. 851-647C	EL 45 9/16MORB 3/4MJIC		
22. 861-428C	HH3/8R2 090 3/4FJIC45 3/4MORB		
23. 861-430C	HH3/8R2 023 3/4FJIC 9/16FJIC		
24. 861-431C	HH3/8R2 013 3/4FJIC 9/16FJIC90		
25. 861-528C	AD 9/16MORB 9/16FORB		
26. 861-539C	BLACK DUST CAP, 1/2" QD AG		
27. 861-540C	GREEN DUST CAP, 1/2" QD AG		
28. 861-541C	BLACK DUST PLUG, 1/2" QD AG		
29. 861-542C	GREEN DUST PLUG, 1/2" QD AG		



Part Number Index

The Part Number Index is a numeric index of all part numbers included in this manual. The index shows what page(s) the part is used on.

Part Number	Page	Part Number	Page	Part Number	Page
130556	15	803-194c	37	838-293C	17
138006	15	803-198C	25, 27	838-378C	17
138007	15	803-209C	31	841-099C	33, 35
148000	15	803-255C	7	841-331C	27, 29
235005	15	803-269C	21	841-563C	25, 31
258753	15	804-009C	33, 37	842-017C	33, 35, 37, 39
258851	15	804-012C	31	842-216C	25
380-078H	11	804-024C	25	843-178C	21
380-079H	7, 9, 11	804-036C	33, 37	848-159C	17
380-081H	7, 9, 11	804-054C	21	850-313C	33, 35, 37, 39
380-082H	11	804-157C	27, 29, 33, 35, 37, 39	850-472C	25, 27, 29, 31
380-087H	7, 9, 11	804-161C	27, 29, 33, 35, 37, 39	851-070C	13
380-093A	25	806-261C	25, 27	851-071C	13
380-114H	7	810-734C	13, 15	851-072C	13
380-115H	7	810-926C	25, 27, 29, 31	851-073C	13
380-139H	9	811-039C	13	851-084C	25, 27, 29, 31
380-140H	9	811-040C	31	851-087C	25
380-150A	23	811-063C	13	851-088C	25
380-152A	27	811-133C	25, 31	851-090C	23
380-155D	7	811-150C	23	851-241C	33, 35, 37, 39
380-164D	25, 27	811-169C	25, 27, 31, 33, 37	851-245C	33, 35, 37, 39
380-165D	25	811-170C	25, 27, 29, 31, 33, 35, 37, 39	851-344C	25, 27, 29, 31, 33, 35, 37, 39
380-165S	25, 27, 29, 31	811-253C	25, 31	851-349C	27
380-166A	29	811-324C	33, 35, 37, 39	851-376C	27, 31
380-168A	31	811-394C	25, 27, 29, 31, 33, 35, 37, 39	851-481C	33, 37
380-234D	27	811-416C	35, 39	851-489C	29
380-254D	29	811-701C	27	851-490C	27, 29
380-255D	27, 29	811-703C	27	851-647C	35, 39
380-256D	31	811-703C	27	851-768C	31
380-257D	31	811-870C	23, 25, 27, 29, 31, 33, 35, 37, 39	858-072C	17
380-305C	9	818-190C	17	858-073C	17
380-305H	7, 11	821-011C	19	858-108C	17
380-310H	33, 37	821-011CGL	19	861-426C	33, 37
380-311A	33	821-011CQT	19	861-427C	33, 37
380-312A	35	821-011CTU	19	861-428C	33, 35, 37, 39
380-313H	21	821-054C	19	861-430C	35, 39
380-314S	21, 33, 37	821-054CGL	19	861-431C	35, 39
380-324S	35, 39	821-054CQT	19	861-462C	33, 37
380-330A	37	821-054CTU	19	861-471C	33, 37
380-331A	39	821-058C	19	861-528C	35, 39
380-418D	33, 35, 37, 39	821-058CGL	19	861-539C	25, 27, 29, 31, 33, 35, 37, 39
380-419D	33, 37	821-058CQT	19	861-540C	25, 27, 29, 31, 33, 35, 37, 39
380-421D	35, 39	821-058CTU	19	861-541C	25, 27, 29, 31, 33, 35, 37, 39
380-422D	35, 39	821-066C	19	861-542C	25, 27, 29, 31, 33, 35, 37, 39
380-427D	33, 37	821-066CGL	19	861-543C	33, 35
492650	15	821-066CQT	19	890-005C	7, 9, 11
649190	15	821-066CTU	19	99362A300	21
741798	15	821-067C	19	Dwg 12345	7
741800	15	821-067CGL	19	Dwg 33401	15
800-001C	7, 9, 11	821-067CQT	19	Dwg 35566	11
800-080C	7, 9, 11	821-067CTU	19	Dwg 35819	9
800-112C	27, 29, 31, 33, 35, 37, 39	821-070C	19	Dwg 37013	25
801-091C	21	821-070CGL	19	Dwg 37014	23
801-204C	21	821-070CQT	19	Dwg 37198	27
801-250C	21	821-070CTU	19	Dwg 37543	29
802-010C	33, 37	821-080C	19	Dwg 37632	31
802-022C	31	821-080CGL	19	Dwg 73106	37
802-034C	7, 9, 11	821-080CQT	19	Dwg 73107	33
802-152C	7	821-080CTU	19	Dwg 73109	39
802-159C	33, 37	833-495C	25, 27, 29, 31	Dwg 73110	35
802-274C	33, 35, 37, 39	833-650C	25, 27, 29, 31	Dwg 73114	21
802-314C	27, 29	833-739C	21	dwg35568	13
802-418C	25, 27, 29, 31	837-053C	21	dwg35569	17
802-967C	27, 29, 33, 35, 37, 39	837-054C	21	N/A	15
803-008C	21	837-365C	21		
803-112C	25	838-094C	17		
803-169C	7, 9, 11				
803-194C	33, 35, 39				

This Page Intentionally Left Blank



Great Plains Manufacturing, Inc.

Corporate Office: P.O. Box 5060
Salina, Kansas 67402-5060 USA

www.landpride.com
