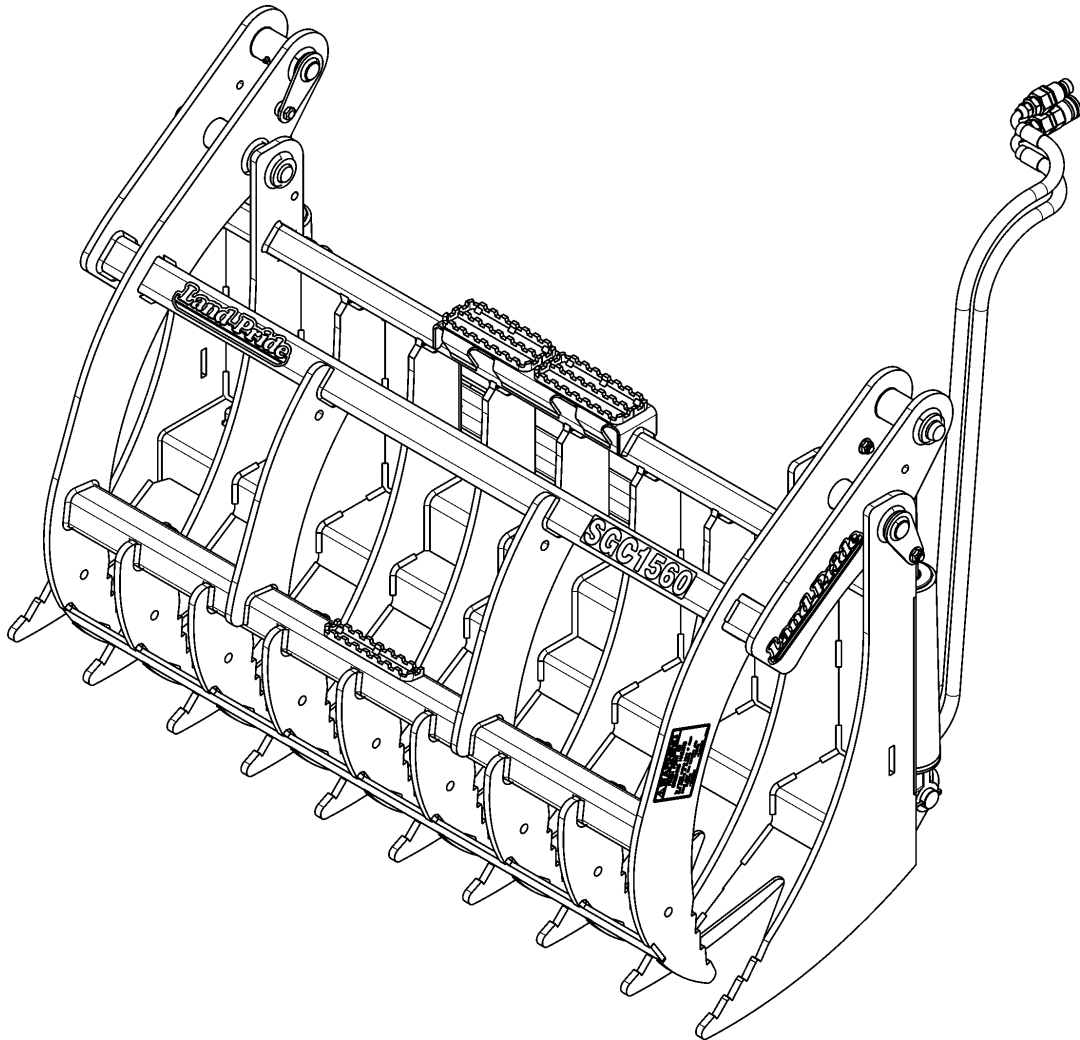


Grapples

SGC1560, SGC1572 & SGC1584



35418

380-074P Parts Manual



Read the Operator's Manual entirely. When you see this symbol, the subsequent instructions and warnings are serious - follow without exception. Your life and the lives of others depend on it!

© Copyright 2020 Printed 04/28/20

Cover photo may show optional equipment not supplied with standard unit.





Table of Contents

Section 1: Introduction.....	4
Using This Manual.....	4
Manual Replacement Information.....	4
Manual Revisions.....	4
Touch-up Paint.....	4
Hardware Legend.....	5
Replacement Hardware.....	5
Serial Numbers.....	5
Part Number Service Coding.....	5
Section 2: Main Assembly.....	6
Grapple & Claw Frame.....	6
Hydraulic Components.....	8
Hydraulic Cylinder (810-783C) Cross.....	10
Hydraulic Cylinder (810-783C) Monarch.....	12
Section 3: Decals.....	14
Decal Placement.....	14
Touch-up Paints - LP.....	16
Section 4: Options & Accessories.....	18
Push Button Control Handle 380-314S.....	18
SGC Hose Bundle Kubota SVL.....	20
Third Function Hose Kit 380-150A.....	22
Third Function Valve Kit 380-166A for Kubota MX4700.....	24
MX4800.....	24
MX5100.....	24
MX5200.....	24
MX5800.....	24
& MX6899.....	24
Third Function Valve Kit 380-311A with Flat Face Couplers For Kubota MX5400 & MX6000 With Cab.....	26
Third Function Valve Kit 380-312A with Flat Face Couplers For Kubota MX5400 & MX6000 With ROPS.....	28
Third Function Valve Kit 380-330A with Pioneer Couplers For Kubota MX5400 & MX6000 With Cab.....	30
Third Function Valve Kit 380-331A with Pioneer Couplers For Kubota MX5400 & MX6000 With ROPS.....	32
Part Number Index.....	34

© Copyright 2020. All rights reserved.

Land Pride provides this publication “as is” without warranty of any kind, either expressed or implied. While every precaution has been taken in the preparation of this manual, Land Pride assumes no responsibility for errors or omissions. Neither is any liability assumed for damages resulting from the use of the information contained herein. Land Pride reserves the right to revise and improve its products as it sees fit. This publication describes the state of this product at the time of its publication, and may not reflect the product in the future. The illustrations in this manual are not intended for safe and proper assembly or disassembly of equipment. The illustrations are intended for ordering parts only.

Land Pride is registered trademark.

All other brands and product names are trademarks or registered trademarks of their respective holders.

Printed in the United States of America.



Alphabetized Table of Contents

D	
Decal Placement.....	14
G	
Grapple & Claw Frame.....	6
H	
Hydraulic Components.....	8
Hydraulic Cylinder (810-783C) Cross.....	10
Hydraulic Cylinder (810-783C) Monarch.....	12
P	
Push Button Control Handle 380-314S.....	18
S	
SGC Hose Bundle Kubota SVL.....	20
T	
Third Function Hose Kit 380-150A.....	22
Third Function Valve Kit 380-166A for Kubota MX4700, MX4800, MX5100, MX5200, MX5800, & MX6899.....	24
Third Function Valve Kit 380-311A with Flat Face Couplers For Kubota MX5400 & MX6000 With Cab.....	26
Third Function Valve Kit 380-312A with Flat Face Couplers For Kubota MX5400 & MX6000 With ROPS.....	28
Third Function Valve Kit 380-330A with Pioneer Couplers For Kubota MX5400 & MX6000 With Cab.....	30
Third Function Valve Kit 380-331A with Pioneer Couplers For Kubota MX5400 & MX6000 With ROPS.....	32
Touch-up Paints - LP.....	16

General Information

Using This Manual

This manual is divided into sections. The first section contains General Information. The remaining sections divide the machine into segments (i.e. Frames, Drives, Hydraulics, etc.) which illustrate and list all parts. A Parts Number Index is located at the back of the book.

The Land Pride parts in this manual are specially designed for this machine and should be replaced with Land Pride parts only.

The information in this manual is current at time of printing. Some parts may change to assure top performance.

Right-hand and left-hand as used in this manual are determined by facing the direction the machine will travel while in use.

Below is an example of two facing pages from a parts manual. Familiarize yourself with the type of information contained on these pages.

Manual Replacement Information

Replacement manuals are available. Refer to our website at www.landpride.com or e-mail us at lit@landpride.com for additional information. Our website continues to provide the most up-to-date manuals available.

Touch-up Paint

Repaint parts where paint is worn or scratched to prevent rust. Aerosol cans and touch-up bottles with brush applicator are available through your local dealer. Also available are quart and gallon size paints. Add QT or GL to end of the Aerosol P/N.

Land Pride color descriptions and part numbers are listed on the "Land Pride Touch-up Paints" page in the "Decals" section of this book. Color options vary by product.



General Information

Hardware Legend

AR	As Required
BLADE	Blade Bolt
C	Cap Screw
CP	Cotter Pin
CPHSSS	Cup Point Hex Socket Set Screw
CPSHSS	Cup Point Square Head Set Screw
CPSQHSS	Cup Point Square Head Set Screw
CRFCHMS3	Cross Recess Flat Countersunk Head Machine Screw
CRPHMS	Cross Recess Pan Head Machine Screw
CRPHTF	Cross Recess Pan Head Thread Forming
CRRHMS	Cross Recess Round Head Machine Screw
CRTHMS	Cross Recess Truss Head Machine Screw
CSNB	Countersunk Square Neck Bolt
FHMS	Flat Head Machine Screw
FTC	Full Thread Cap Screw
H	Hex Nut
HCLN	Hex Center Lock Nut
HFLCS	Hex Flange Lock Cap Screw
HFS	Hex Flange Screw
HFSLN	Hex Flange Serrated Lock Nut
HFSS	Hex Flange Serrated Screw
HHCS	Hex Head Cap Screw or Metric Bolt
HSBHCS	Hex Socket Button Head Cap Screw
HSFCHCS	Hex Socket Flat Countersunk Head Cap Screw
HSHCS	Hex Socket Head Cap Screw
HSSS	Hex Socket Head Screw
HTLN	Hex Top Lock Nut
HWHCS	Hex Washer Head Cap Screw

HWHMS	Hex Washer Head Machine Screw
HXBHCS	Hex Socket Button Head Cap Screw
J	Hex Jam Nut
JIC	37 Degree Tapered Thread
L	Helical Spring Lock Washer
LUG	Lug Bolt
NFC	National Fine Cap Screw
NPSM	National Pipe Straight Mechanical
NPTF	National Pipe Taper Fuel
P	Wide Plain Washer
PHMS	Pan Head Machine Screw
PLOW	Plow Bolt
RHMS	Round Head Machine Screw
RHSNB	Round Head Square Neck Bolt
SCREW LEVELING	Leveling Screw
SCREW THUMB	Thumb Screw
SCREW WELD	Weld Screw
SFCHMS	Slotted Flat Countersunk Head Machine Screw
SFHMS	Slotted Fillister Head Machine Screw
SP	Special
SP SCREW	Special Screw
SQHSS	Square Head Set Screw
SRHMS	Slotted Round Head Machine Screw
SSS	Socket Set Screw
STCS	Self Tapping Cap Screw
STHMS	Slotted Truss Head Machine Screw
WHEEL	Wheel Studs and Hub Long Bolts
WING	Wing Bolt

Replacement Hardware

The **Hardware Legend** above lists hardware abbreviations used in the parts list. All bolts and nuts are Grade 5 unless otherwise noted. The use of improper grades of hardware can result in personal injury, damage to equipment, or loss of property.

Colored Replacement Parts

Land Pride offers replacement parts in factory standard colors and also on select models in Green, Orange, Red and Blue. Because of the variety of colors available, special attention must be given to the part number to prevent ordering the wrong replacement part.

A suffix number corresponding to one of the colors below must be added at the end of Land Pride's part number when ordering a replacement part with that color.

81 **Green** **83** **Red**
82 **Orange** **84** **Blue**

For example, if you are ordering a replacement part with part number 555-555C and the part you need is red, then add the suffix 83 to the end of the number to make the part number read 555-555C83. Parts ordered without a suffix number will be supplied in factory standard colors.

Black Replacement Parts

Some parts are factory standard black and some must be special ordered black. If your part is special ordered black, a second part number with the additional suffix number 85 on the end will be available. In this situation you must order that part with the suffix number for it to be black. Parts that are factory standard black will not have the suffix number.

Part Number Service Coding

Within the parts list some part numbers are coded for revisions and interchangeability. See notations in revision column.

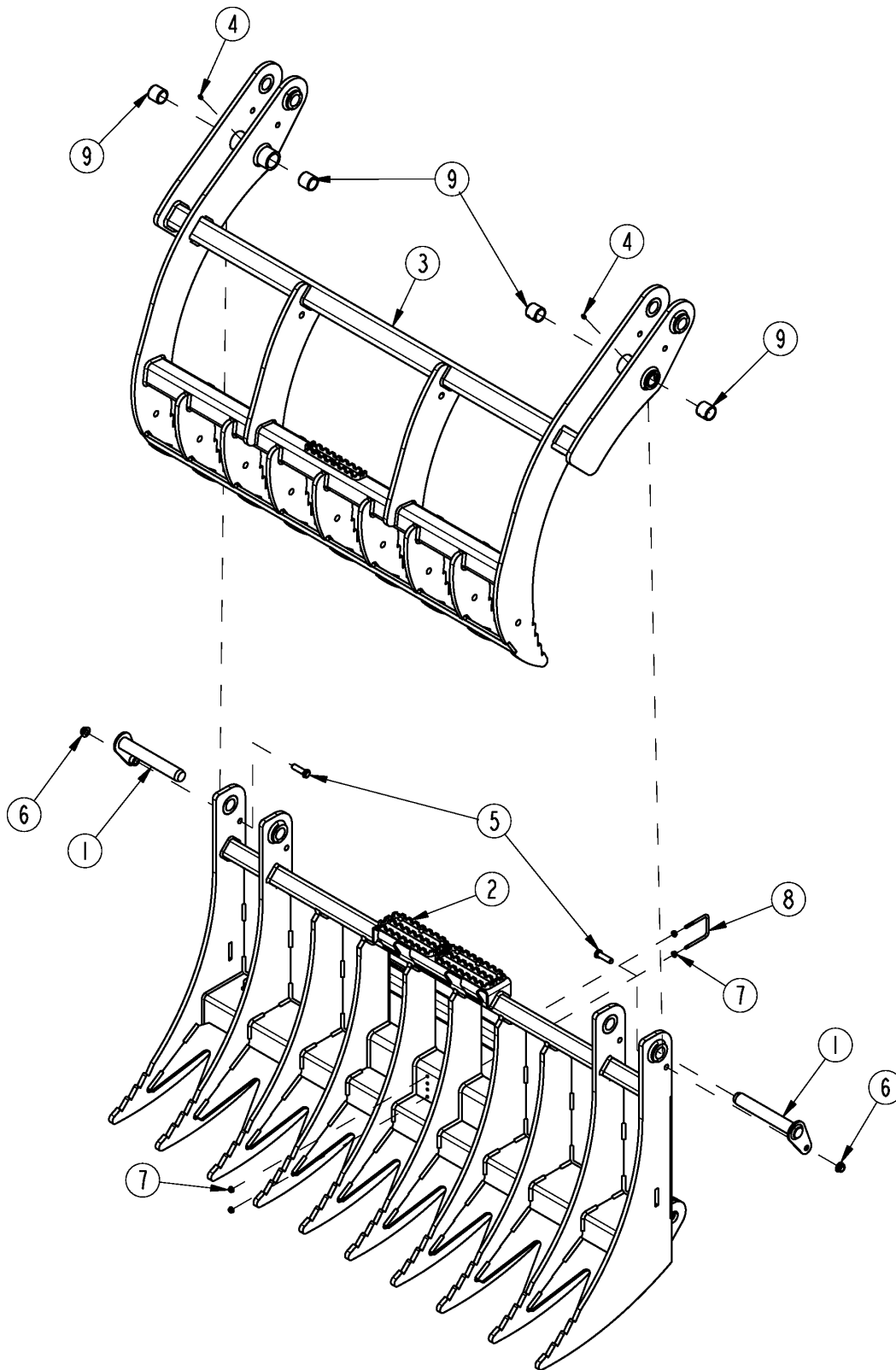
Serial Numbers

Always use the serial and model number when ordering parts. Refer to the Operator's Manual for serial number plate location.

- | | |
|----------------------|--|
| (S/N 20001+) | Includes serial numbers 20001 and above (to the latest number) |
| (S/N 10001 to 20000) | Includes serial numbers between and including 10001 and 20000 |
| (S/N 10000-) | Includes serial numbers 10000 and below (to the earliest number) |

Grapple & Claw Frame

Applies to SGC1560, SGC1572, SGC1584



35419

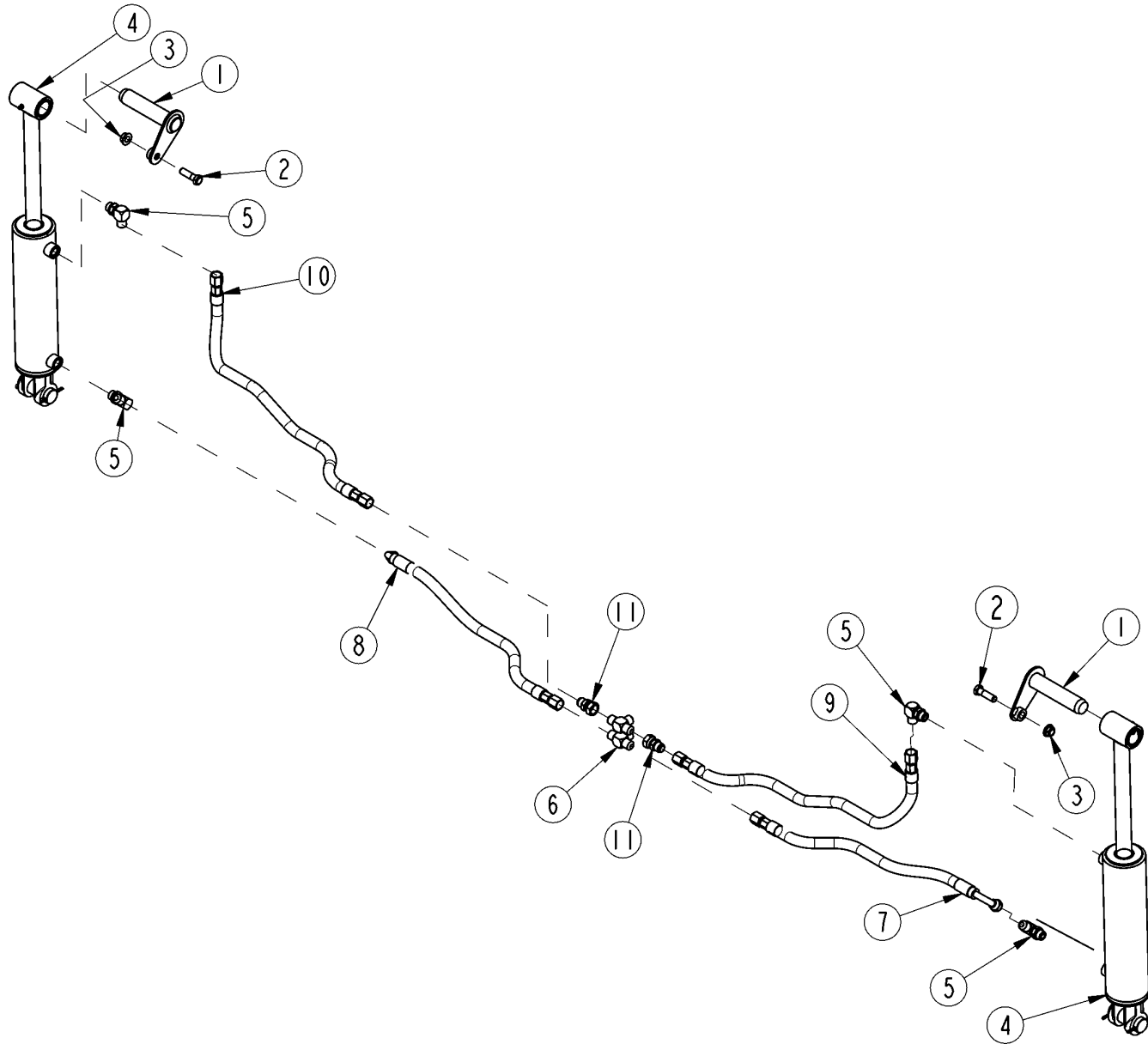
Grapple & Claw Frame

Applies to SGC1560, SGC1572, SGC1584

Ref	Part No.	Part Description	Comments	Revision
	dwg35419	Drawing Image Number		
1.	380-004H	PIVOT PIN		
2.	380-065H	GRAPPLE FRAME, 60		
2.	380-068H	GRAPPLE FRAME, 72		
2.	380-071H	GRAPPLE FRAME, 84		
3.	380-066H	GRAPPLE JAW, 60		
3.	380-069H	GRAPPLE JAW, 72		
3.	380-072H	GRAPPLE JAW, 84		
4.	800-080C	GREASE ZERK 1/4-28 THD FORMING		
5.	802-082C	HHCS 1/2-13X1 3/4 GR5		
6.	803-169C	NUT HEX FLG LOCK 1/2-13 PLT		
7.	803-194C	NUT HEX WHIZ 1/4-20 PLT		
8.	806-147C	U-BOLT 1/4-20 X 2 9/32 X 3 GR2		
9.	891-177C	BHG 1.50ODX1.25X1.38		

Hydraulic Components

Applies to SGC1560, SGC1572, SGC1584



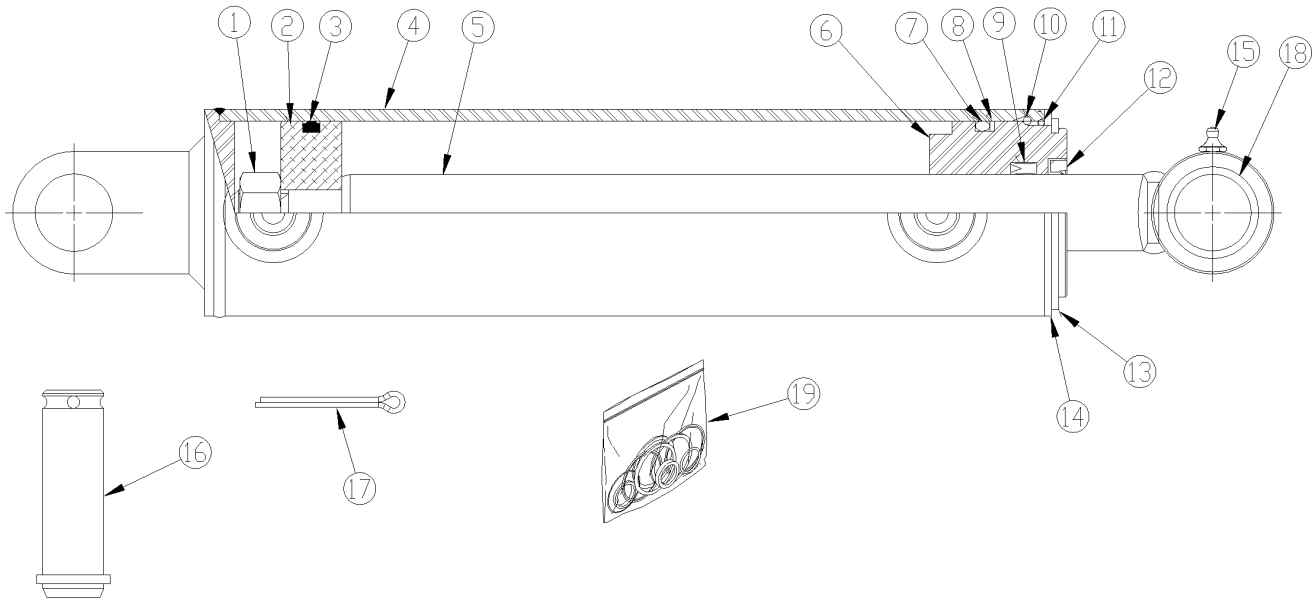
35211

Hydraulic Components**Applies to SGC1560, SGC1572, SGC1584**

Ref	Part No.	Part Description	Comments	Revision
	Dwg 35211	Drawing Image Number		
1.	380-005H	PIVOT PIN		
2.	802-082C	HHCS 1/2-13X1 3/4 GR5		
3.	803-169C	NUT HEX FLG LOCK 1/2-13 PLT		
4.	810-783C	CYL 3X10X1 1/4 (WLD) W/BSHGS		
5.	811-063C	EL 3/4MJIC 3/4MORB		
6.	811-078C	TE 3/4MJIC		
7.	841-680C	HH1/2R2 024 3/4FJIC(1 90) TC	SGC15/2060	
7.	841-682C	HH1/2R2 030 3/4FJIC(1 90) TC	SGC15/2072	
7.	841-693C	HH1/2R2 036 3/4FJIC(1 90) TC	SGC15/2084	
8.	841-680C	HH1/2R2 024 3/4FJIC(1 90) TC	SGC15/2060	
8.	841-682C	HH1/2R2 030 3/4FJIC(1 90) TC	SGC15/2072	
8.	841-693C	HH1/2R2 036 3/4FJIC(1 90) TC	SGC15/2084	
9.	841-681C	HH1/2R2 030 3/4FJIC TC	SGC15/2060	
9.	841-692C	HH1/2R2 036 3/4FJIC TC	SGC15/2072	
9.	841-694C	HH1/2R2 042 3/4FJIC TC	SGC15/2084	
10.	841-681C	HH1/2R2 030 3/4FJIC TC	SGC15/2060	
10.	841-692C	HH1/2R2 036 3/4FJIC TC	SGC15/2072	
10.	841-694C	HH1/2R2 042 3/4FJIC TC	SGC15/2084	
11.	841-873C	ORAD 1/8 3/4MJIC 3/4 FJIC		

Hydraulic Cylinder (810-783C) Cross

Applies to SGC1560, SGC1572, SGC1584



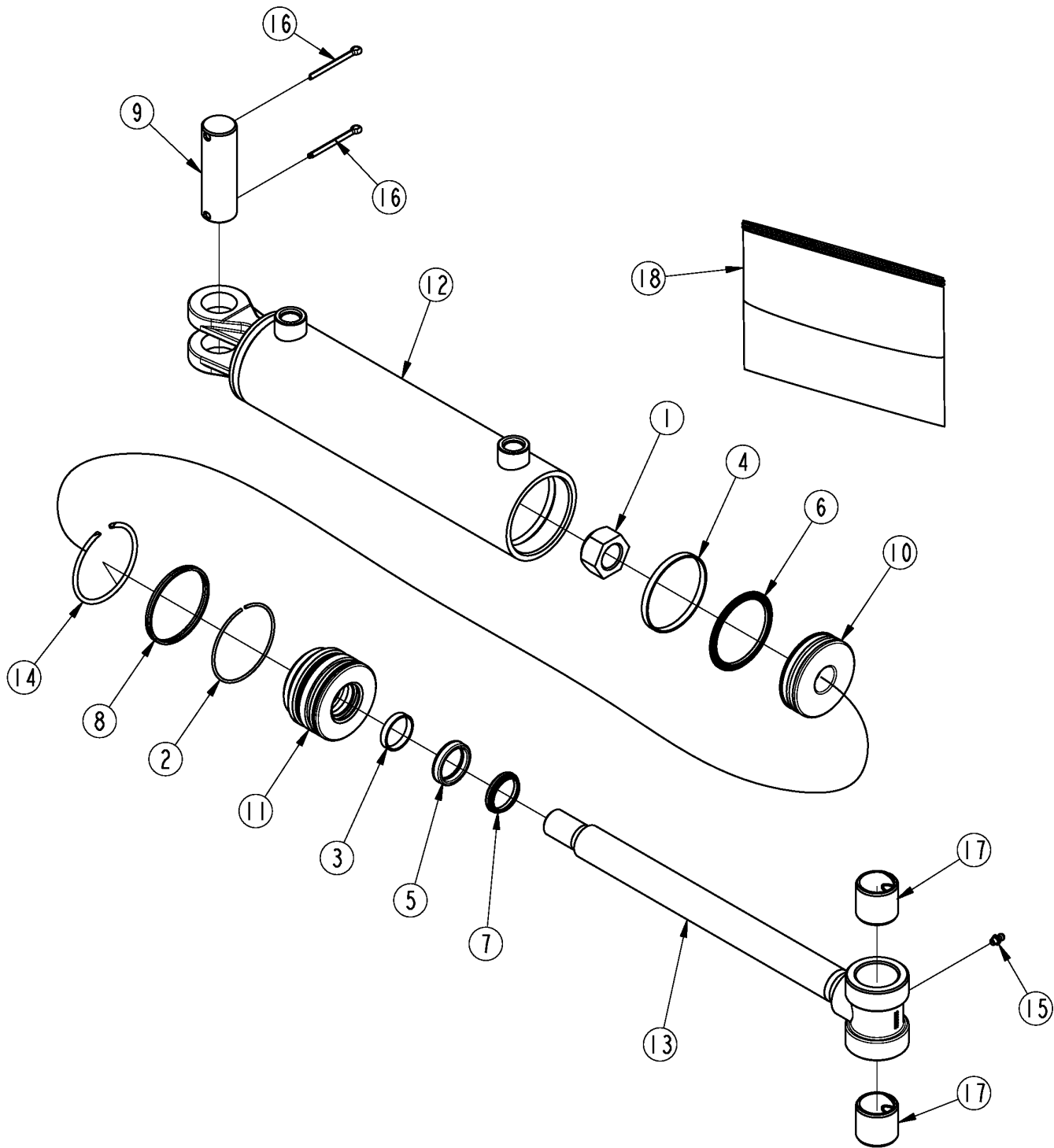
35213

Hydraulic Cylinder (810-783C) Cross**Applies to SGC1560, SGC1572, SGC1584**

Ref	Part No.	Part Description	Comments	Revision
	Dwg 35213	Drawing Image Number		
	810-783C	CYL 3X10X1 1/4 (WLD) W/BSHGS		
1.	2A0246-12	CROSS NUT, PISTON		
2.	4C4360	CROSS PISTON		
3.	N/A	CROSS CROWN SEAL	In Seal Kit #19	
4.	4C6421	CROSS TUBE ASSY		
5.	N/A	CROSS ROD ASSY		
6.	4C5519	CROSS HEAD		
7.	N/A	CROSS, O-RING	In Seal Kit #19	
8.	N/A	CROSS, BACK-UP	In Seal Kit #19	
9.	N/A	CROSS U-CUP	In Seal Kit #19	
10.	2A0462-300	CROSS RETAINING RING		
11.	N/A	CROSS O-RING	In Seal Kit #19	
12.	N/A	WIPER SEAL CROSS	In Seal Kit #19	
13.	1A1757	CROSS RETAINING RING		
14.	4C5180	CROSS SPACER		
15.	2A0172-20	CROSS LUBE FITTING		
16.	1D1551-20275	CROSS CLEVIS PIN		
17.	805-058C	PIN COTTER 3/16 X 2		
18.	891-177C	BHG 1.50ODX1.25X1.38		
19.	4C5844	CROSS SEAL KIT (810-783C)		

Hydraulic Cylinder (810-783C) Monarch

Applies to SGC1560, SGC1572, SGC1584



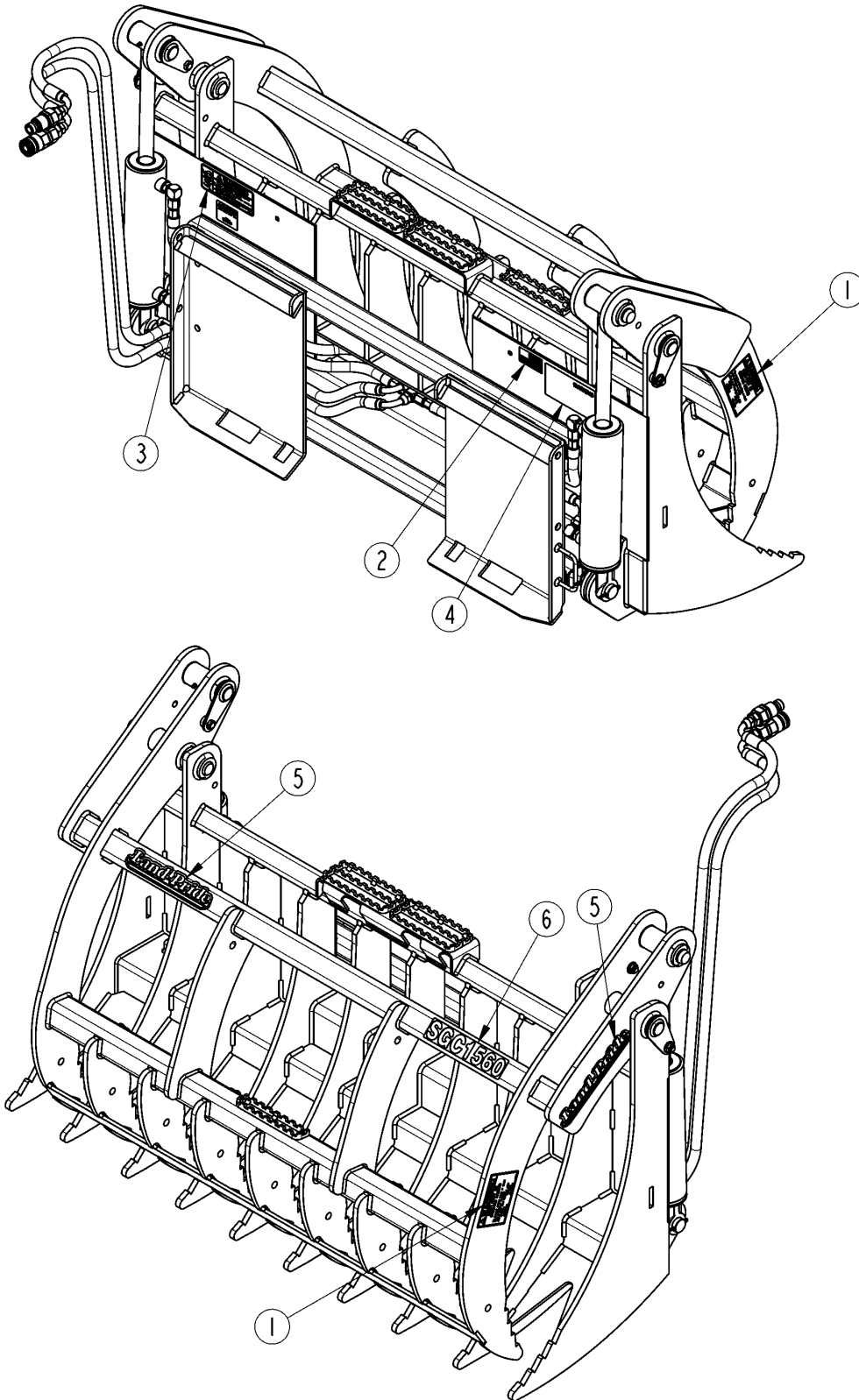
70168

Hydraulic Cylinder (810-783C) Monarch**Applies to SGC1560, SGC1572, SGC1584**

Ref	Part No.	Part Description	Comments	Revision
	Dwg 70168 810-783C	Image No. CYL 3X10X1 1/4 (WLD) W/BSHGS *		
1.	130560	MON PISTON NUT		
2.	138106	MON RETAINING RING EXT 3.00		
3.	190131	MON WEAR RING 1.37-1.25-0.250		
4.	190186	MON WEAR RING 3.00-2.88-0.250		
5.	194016	MON SEAL ZURCON U-CUP RU9 1.25		
6.	197082	MON SEAL ZRCON GLYD RNG P 3.00		
7.	197175	MON SEAL WIPER 1.25 SNAP IN DA		
8.	199209	MON SEAL DUAL 3.00 Z20 PU		
9.	257835	MON PIN 1.25 X 3.87		
10.	258821	MON PISTON 3.00-1.0-TSS-ISO-WR		
11.	258879	MON CYL HEAD 3.00-1.25-RR-TSS		
12.	755604	MON TUBE WMT 3.00-10.00-RR-W		
13.	755605	MON ROD WMT 1.25-10.00-1.00-W		
14.	138028	MON RETAINING RING INT 3.00		
15.	800-001C	GREASE ZERK STRAIGHT 1/4-28		
16.	805-058C	PIN COTTER 3/16 X 2		
17.	891-177C	BHG 1.50ODX1.25X1.38		
18.	850-261C	MON SEAL KIT 658310		

Decal Placement

Applies to SGC1560, SGC1572, SGC1584



35420

Decal Placement

Applies to SGC1560, SGC1572, SGC1584

Ref	Part No.	Part Description	Comments	Revision
	dwg35420	Drawing Image Number		
1.	818-045C	DECAL WARNING PINCH PT/CRUSH		
2.	818-190C	DECAL FLAG		
3.	838-094C	DECAL WARNING HYD PRESS LONG		
4.	838-293C	DECAL WARNING READ MANUAL		
5.	848-159C	DECAL LANDPRIDE 10" BROWN/GOLD		
6.	848-964C	DECAL, SGC1560 GOLD		
6.	848-965C	DECAL, SGC1572 GOLD		
6.	848-966C	DECAL, SGC1584 GOLD		

Touch-up Paints - LP

Applies to SGC1560, SGC1572, SGC1584

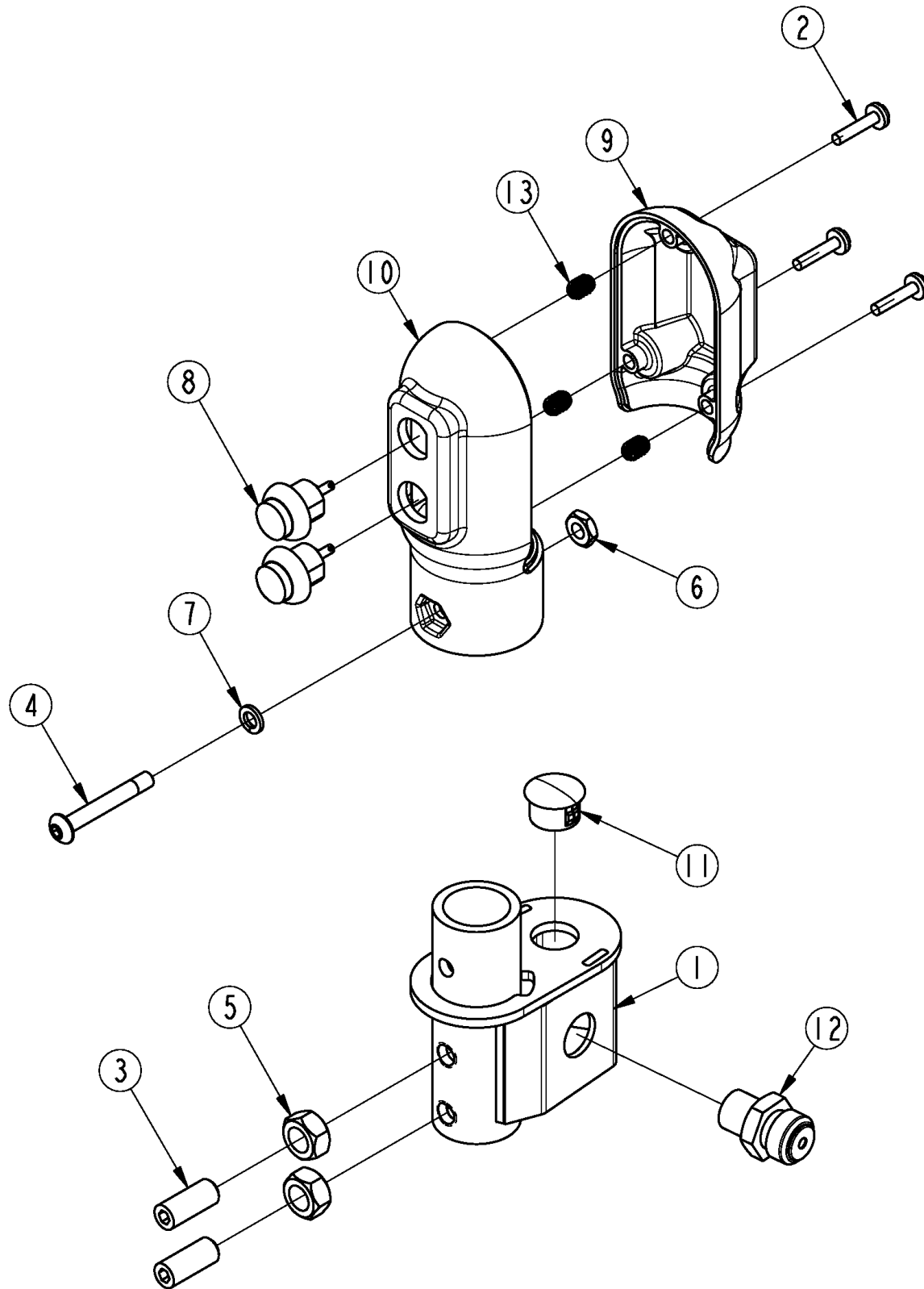
No diagram associated with this Parts List

Touch-up Paints - LP**Applies to SGC1560, SGC1572, SGC1584**

Ref	Part No.	Part Description	Comments	Revision
1.	821-011C	LP BEIGE SPRAY CAN	Spray can	
1.	821-011CTU	LP BEIGE TOUCH-UP 5OZ	Touch-up bottle with brush	
1.	821-011CQT	LP BEIGE QUART	Quart can	
1.	821-011CGL	LP BEIGE GALLON	Gallon can	
2.	821-070C	GLOSS BLACK SPRAY CAN	Spray can	
2.	821-070CTU	GLOSS BLACK TOUCH-UP 5OZ	Touch-up bottle with brush	
2.	821-070CQT	GLOSS BLACK QUART	Quart can	
2.	821-070CGL	GLOSS BLACK GALLON	Gallon can	
3.	821-054C	MED. RED SPRAY TRCK/CTR	Spray can	
3.	821-054CTU	MED RED TOUCH-UP 5OZ	Touch-up bottle with brush	
3.	821-054CQT	MED RED QUART	Quart can	
3.	821-054CGL	MED RED GALLON	Gallon can	
4.	821-058C	GREEN SPRAY CUTTERS	Spray can	
4.	821-058CTU	GREEN TOUCH-UP 5OZ	Touch-up bottle with brush	
4.	821-058CQT	GREEN QUART	Quart can	
4.	821-058CGL	GREEN GALLON	Gallon can	
5.	821-066C	ORANGE SPRAY CAN	Spray can	
5.	821-066CTU	ORANGE TOUCH-UP 5OZ	Touch-up bottle with brush	
5.	821-066CQT	ORANGE QUART	Quart can	
5.	821-066CGL	ORANGE GALLON	Gallon can	
6.	821-067C	BLUE SPRAY CAN	Spray can	
6.	821-067CTU	BLUE TOUCH-UP 5OZ	Touch-up bottle with brush	
6.	821-067CQT	BLUE QUART	Quart can	
6.	821-067CGL	BLUE GALLON	Gallon can	
7.	821-080C	PAINT ALUMINUM/ZINC SPRAY CAN	Spray can	
7.	821-080CTU	PAINT ALUMINUM/ZINC TOUCH UP	Touch-up bottle with brush	
7.	821-080CQT	PAINT ALUMINUM/ZINC QUART	Quart can	
7.	821-080CGL	PAINT ALUMINUM/ZINC GALLON	Gallon can	

Push Button Control Handle 380-314S

Applies to SGC1560, SGC1572, SGC1584



73114

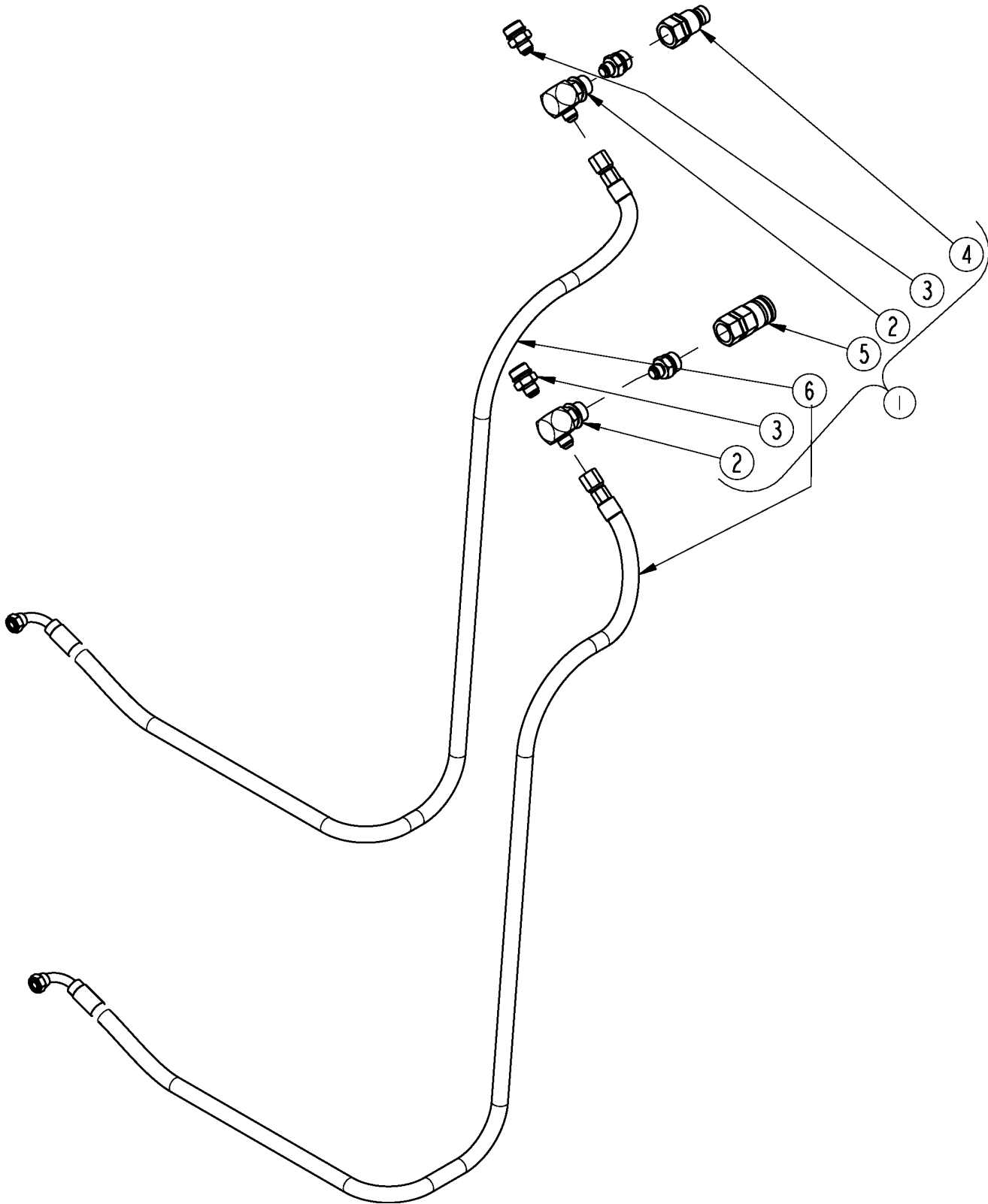
Push Button Control Handle 380-314S

Applies to SGC1560, SGC1572, SGC1584

Ref	Part No.	Part Description	Comments	Revision
	Dwg 73114 380-314S	Image No. ASY, PSH BUTTN CNTRL HNDL CAB *		
1.	380-313H	WMT, CONTROL HANDLE MOUNT		
2.	801-091C	CRPHMS 6-32X5/8 SS		
3.	801-204C	SCREW SET SCKT HD 5/16-18X3/4		
4.	801-250C	HSBHCS #10-32X1 3/8		
5.	803-008C	NUT HEX 5/16-18 PLT		
6.	803-269C	NUT HEX 10-32 PLT		
7.	804-054C	WASHER LOCK #10		
8.	833-739C	SWITCH, P9 PB NO SPST MOM RED		
9.	837-053C	COVER, PUSH BUTTON CNTRL HNDL		
10.	837-054C	BASE, PUSH BUTTON CNTRL HNDL		
11.	837-365C	PLASTIC SNAP-IN PLUG		
12.	843-178C	POWER SWITCH ON/OFF		
13.	99362A300	6-32 BRASS TAPPING INSERT		

SGC Hose Bundle Kubota SVL

Applies to SGC1560, SGC1572, SGC1584



35298

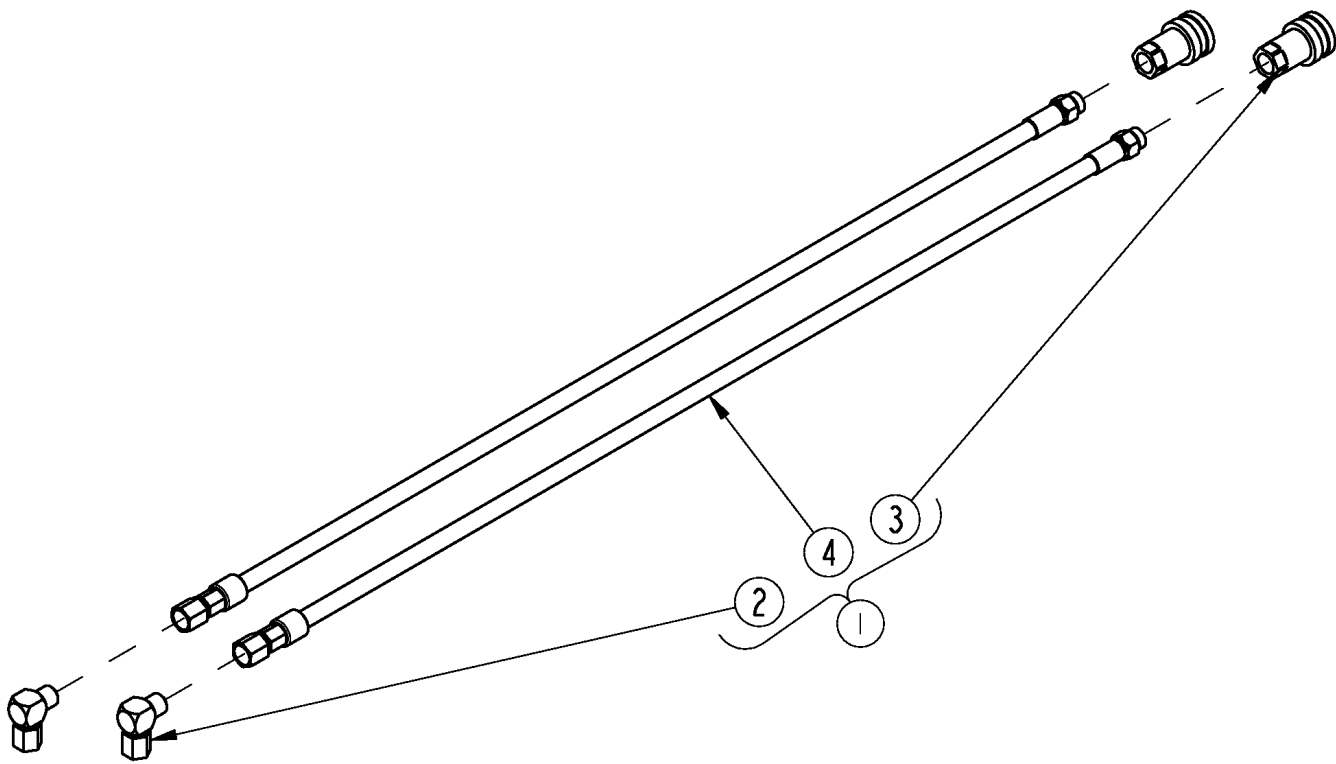
SGC Hose Bundle Kubota SVL

Applies to SGC1560, SGC1572, SGC1584

Ref	Part No.	Part Description	Comments	Revision
	Dwg 35298	Drawing Image Number		
1.	380-063A	HOSE BUNDLE, KUBOTA SVL		
2.	811-091C	EL 3/4MJIC 1 1/16MORB		
3.	811-205C	AD 3/4MJIC 1 1/16MORB		
4.	851-947C	CUP 1 1/16FORB MALE QUICK CPLR		
4.	811-744C	RPBY 851-947C	Obsolete	
5.	851-948C	CUP 1 1/16FORB FML QUICK CPLR		
5.	811-745C	RPBY 851-948C	Obsolete	
6.	841-695C	HH1/2R2 076 3/4FJIC90 TC		

Third Function Hose Kit 380-150A

Applies to SGC1560, SGC1572, SGC1584



37014

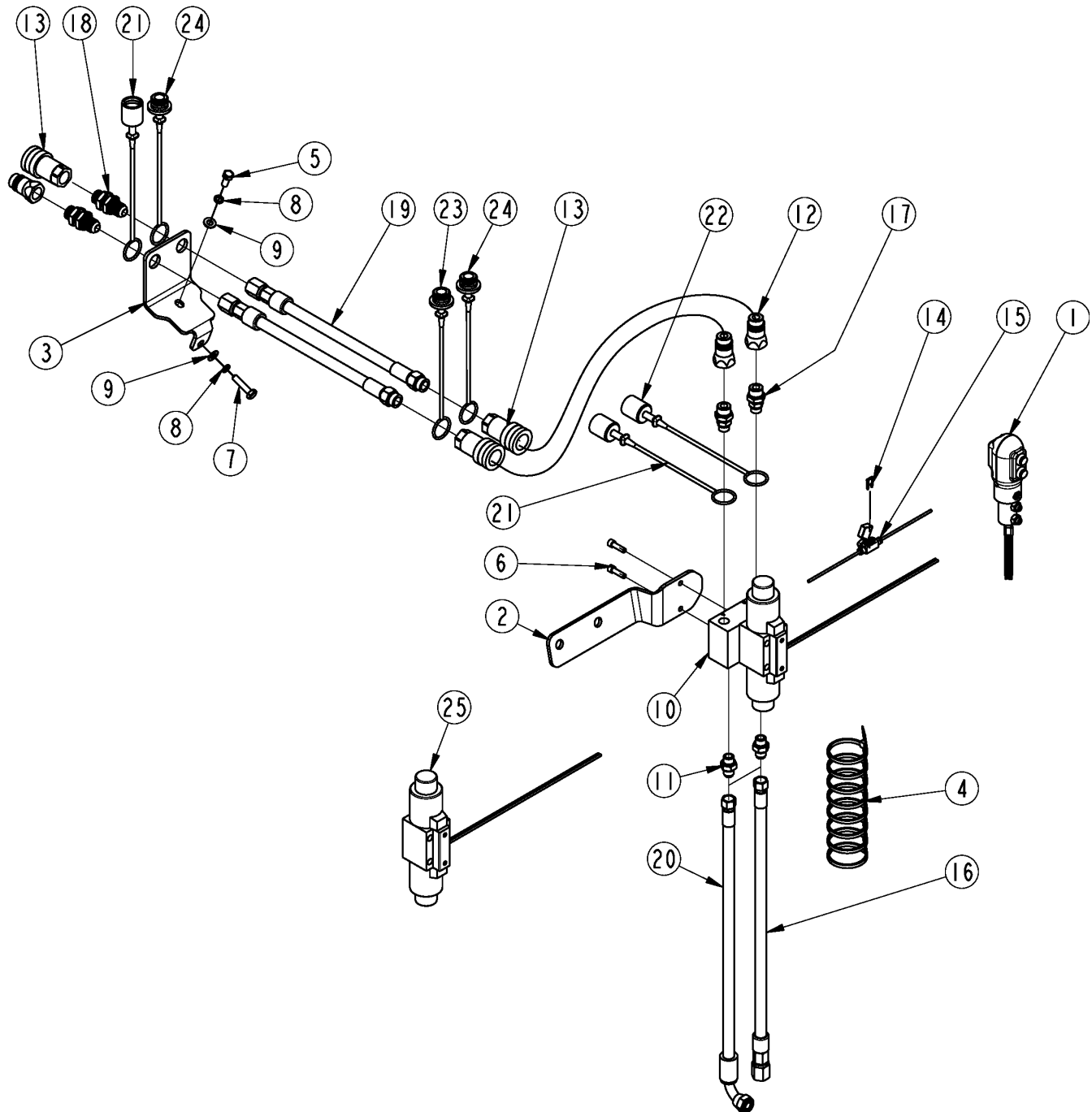
Third Function Hose Kit 380-150A

Applies to SGC1560, SGC1572, SGC1584

Ref	Part No.	Part Description	Comments	Revision
	Dwg 37014	Drawing Image Number		
1.	380-150A	HOSE KIT, THIRD FUNCTION		
2.	811-150C	EL 3/4FJIC 3/4MJIC		
3.	811-870C	CP 3/4FORB QD FEMALE (POPPET)		
4.	851-090C	HH3/8R2 044 3/4FJIC 3/4MORB		

Third Function Valve Kit 380-166A for Kubota MX4700, MX4800, MX5100, MX5200, MX5800, & MX6899

Applies to SGC1560, SGC1572, SGC1584



37543

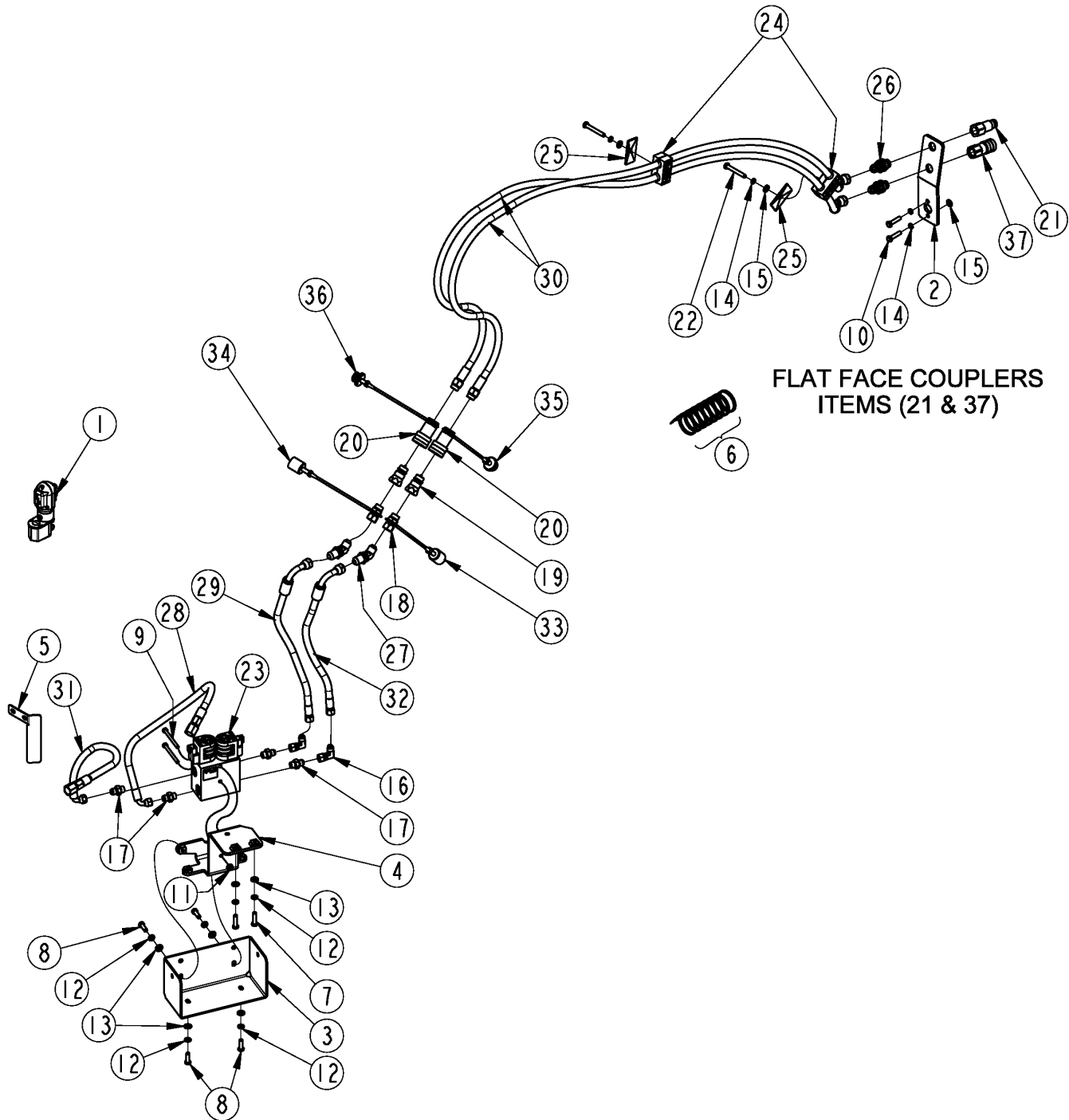
Third Function Valve Kit 380-166A for Kubota MX4700, MX4800, MX5100, MX5200, MX5800, & MX6899

Applies to SGC1560, SGC1572, SGC1584

Part No.	Part Description	Comments	Revision
Dwg 37543 380-166A	Image No. 3FVK PC MX5800 *		
1.	380-165S	ASY, PUSH BUTTON CNTRL HNDL	
2.	380-254D	BRKT, VALVE MOUNT	
3.	380-255D	PLATE, BLKHD MOUNT	
4.	800-112C	CABLE TIE .19X7.25 1.75D 50LB	
5.	802-314C	HHCS M8X1.25X20 GR8.8	
6.	802-418C	HSHCS 1/4-20X7/8	
7.	802-967C	HHCS M8X1.25X35 GR8.8	
8.	804-157C	WASHER SPRING LOCK M8 PLT	
9.	804-161C	WASHER FLAT M8 PLT	
10.	810-926C	VALVE, THIRD FUNCTION	
11.	811-170C	AD 9/16MORB 9/16MJIC	
12.	811-394C	CP 3/4FORB MALE QD POPPET TYPE	
13.	811-870C	CP 3/4FORB QD FEMALE (POPPET)	
14.	833-495C	FUSE, 10 AMP MINI BLADE	
15.	833-650C	BLADE FUSE HOLDER, MINI	
16.	841-331C	HH3/8R2 035 3/4FJIC 9/16FJIC	
17.	851-084C	AD 9/16MORB 3/4MORB	
18.	851-344C	AD 3/4MJIC 3/4MORB BLKHD W/ LN	
19.	851-489C	HH3/8R2 098 3/4FJIC 3/4MORB	
20.	851-490C	HH3/8R2 035 3/4FJIC90 9/16FJIC	
21.	861-539C	BLACK DUST CAP, 1/2" QD AG	
22.	861-540C	GREEN DUST CAP, 1/2" QD AG	
23.	861-541C	BLACK DUST PLUG, 1/2" QD AG	
24.	861-542C	GREEN DUST PLUG, 1/2" QD AG	
25.	850-472C	HYDRO-TEK VALVE REPLACEMENT	Replacement valve for 810-926C (valve only)

Third Function Valve Kit 380-311A with Flat Face Couplers For Kubota MX5400 & MX6000 With Cab

Applies to SGC1560, SGC1572, SGC1584



73107

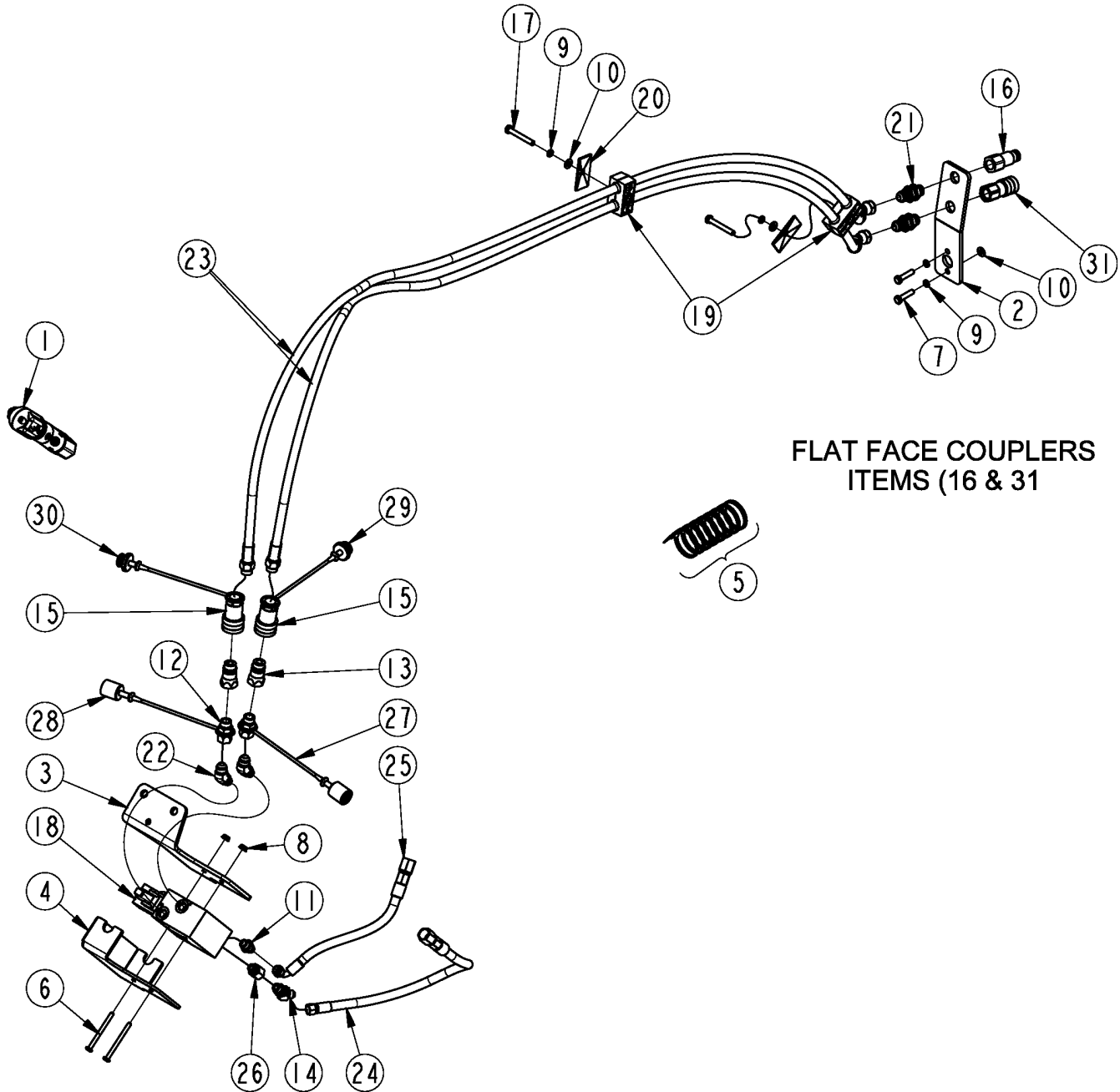
Third Function Valve Kit 380-311A with Flat Face Couplers For Kubota MX5400 & MX6000 With Cab

Applies to SGC1560, SGC1572, SGC1584

Part No.	Part Description	Comments	Revision
Dwg 73107 380-311A	Image No. 3FVK FF MX6000 CAB *		
1.	380-314S	ASY, PSH BUTTN CNTRL HNDL CAB	
2.	380-418D	PLATE, BULKHEAD MOUNT	
3.	380-419D	COVER PLATE, 3RD VALVE	
4.	380-310H	WMT, VALVE MNT BRKT	
5.	380-427D	COVER BRKT, WIRE HARNESS	
6.	800-112C	CABLE TIE .19X7.25 1.75D 50LB	
7.	802-010C	HHCS 5/16-18X1 1/4 GR5	
8.	802-159C	HHCS 5/16-18X1 GR5	
9.	802-274C	HHCS 1/4-20X3 GR5	
10.	802-967C	HHCS M8X1.25X35 GR8.8	
11.	803-194C	NUT HEX WHIZ 1/4-20 PLT	
12.	804-009C	WASHER LOCK SPRING 5/16 PLT	
13.	804-036C	WASHER FLAT 5/16 SAE PLT	
14.	804-157C	WASHER SPRING LOCK M8 PLT	
15.	804-161C	WASHER FLAT M8 PLT	
16.	811-169C	EL 9/16MJIC 9/16FJIC	
17.	811-170C	AD 9/16MORB 9/16MJIC	
18.	811-324C	AD 3/4MORB 3/4FJIC	
19.	811-394C	CP 3/4FORB MALE QD POPPET TYPE	
20.	811-870C	CP 3/4FORB QD FEMALE (POPPET)	
21.	841-099C	CP 3/4FORB QD FLATFACE	
22.	842-017C	HHCS M8X1.25X60 GR8.8	
23.	850-313C	VALVE, THIRD FUNCTION (DELTA)	
24.	851-241C	STAUFF CLAMP BODY 3D 0.79HOLE	
25.	851-245C	STAUFF COVER PLATE GROUP 3D	
26.	851-344C	AD 3/4MJIC 3/4MORB BLKHD W/ LN	
27.	851-481C	EL 3/4MJIC BLKHD 45 W/ LN	
28.	861-426C	HH3/8R2 022 9/16FJIC90 3/4FJIC	
29.	861-427C	HH3/8R2 017 9/16FJIC 3/4FJIC90	
30.	861-428C	HH3/8R2 090 3/4FJIC45 3/4MORB	
31.	861-462C	HH3/8R2 018 9/16FJIC90 3/4FJIC	
32.	861-471C	HH3/8R2 016 9/16FJIC 3/4FJIC90	
33.	861-539C	BLACK DUST CAP, 1/2" QD AG	
34.	861-540C	GREEN DUST CAP, 1/2" QD AG	
35.	861-541C	BLACK DUST PLUG, 1/2" QD AG	
36.	861-542C	GREEN DUST PLUG, 1/2" QD AG	
37.	861-543C	CP 3/4FORB QD FML FLATFACE	

Third Function Valve Kit 380-312A with Flat Face Couplers For Kubota MX5400 & MX6000 With ROPS

Applies to SGC1560, SGC1572, SGC1584



FLAT FACE COUPLERS
ITEMS (16 & 31)

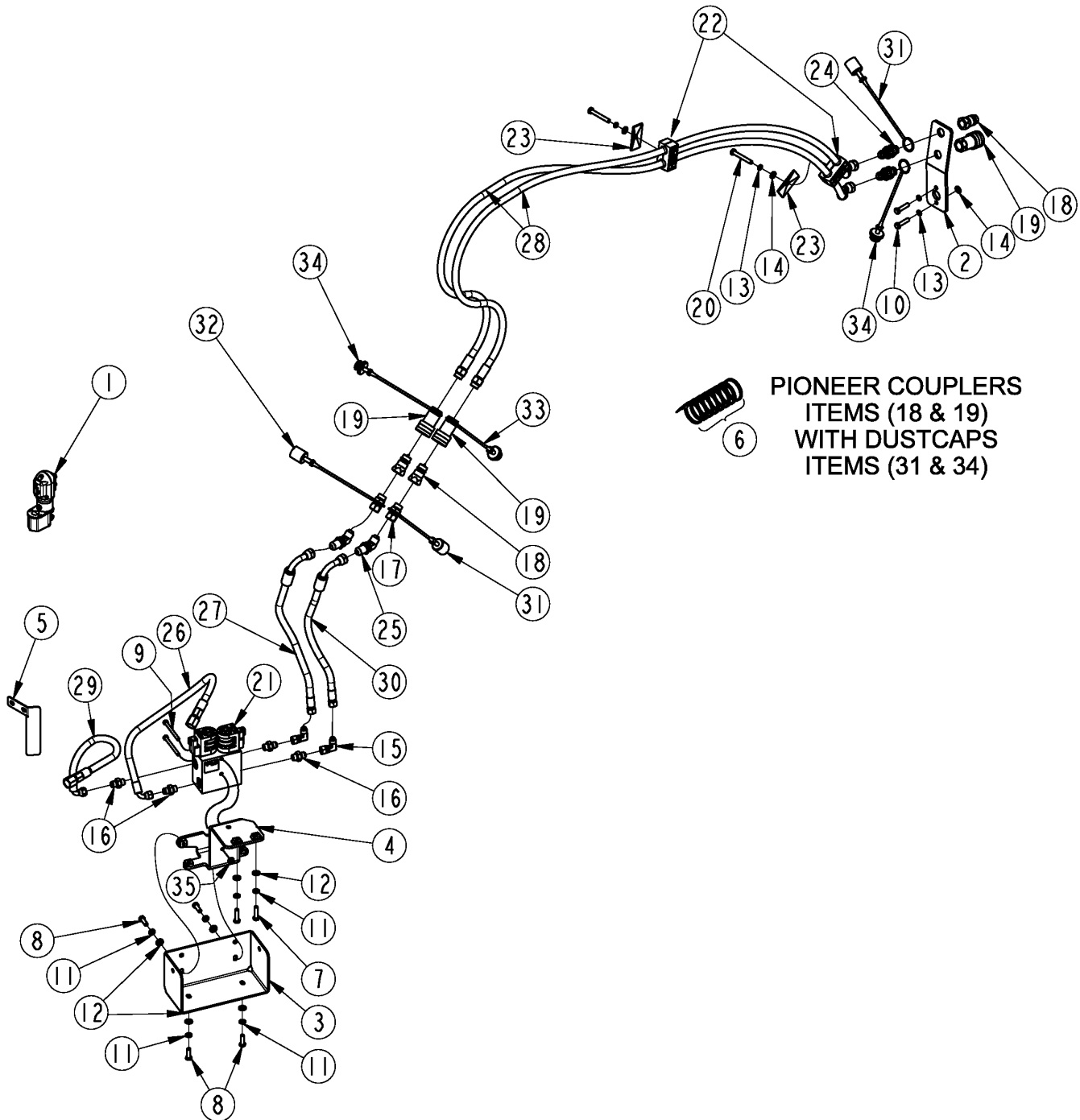
Third Function Valve Kit 380-312A with Flat Face Couplers For Kubota MX5400 & MX6000 With ROPS

Applies to SGC1560, SGC1572, SGC1584

Part No.	Part Description	Comments	Revision
Dwg 73110	Image No.		
380-312A	3FVK FF MX6000 ROPS *		
1.	380-324S	ASY, PSH BUTTN CNTRL HNDL ROPS	
2.	380-418D	PLATE, BULKHEAD MOUNT	
3.	380-421D	BRKT, VALVE MOUNT	
4.	380-422D	COVER, 3RD VALVE	
5.	800-112C	CABLE TIE .19X7.25 1.75D 50LB	
6.	802-274C	HHCS 1/4-20X3 GR5	
7.	802-967C	HHCS M8X1.25X35 GR8.8	
8.	803-194C	NUT HEX WHIZ 1/4-20 PLT	
9.	804-157C	WASHER SPRING LOCK M8 PLT	
10.	804-161C	WASHER FLAT M8 PLT	
11.	811-170C	AD 9/16MORB 9/16MJIC	
12.	811-324C	AD 3/4MORB 3/4FJIC	
13.	811-394C	CP 3/4FORB MALE QD POPPET TYPE	
14.	811-416C	EL 45 9/16MJIC 9/16MORB	
15.	811-870C	CP 3/4FORB QD FEMALE (POPPET)	
16.	841-099C	CP 3/4FORB QD FLATFACE	
17.	842-017C	HHCS M8X1.25X60 GR8.8	
18.	850-313C	VALVE, THIRD FUNCTION (DELTA)	
19.	851-241C	STAUFF CLAMP BODY 3D 0.79HOLE	
20.	851-245C	STAUFF COVER PLATE GROUP 3D	
21.	851-344C	AD 3/4MJIC 3/4MORB BLKHD W/ LN	
22.	851-647C	EL 45 9/16MORB 3/4MJIC	
23.	861-428C	HH3/8R2 3/4FJIC45 3/4MORB	
24.	861-430C	HH3/8R2 023 3/4FJIC 9/16FJIC	
25.	861-431C	HH3/8R2 013 3/4FJIC 9/16FJIC90	
26.	861-528C	AD 9/16MORB 9/16FORB	
27.	861-539C	BLACK DUST CAP, 1/2" QD AG	
28.	861-540C	GREEN DUST CAP, 1/2" QD AG	
29.	861-541C	BLACK DUST PLUG, 1/2" QD AG	
30.	861-542C	GREEN DUST PLUG, 1/2" QD AG	
31.	861-543C	CP 3/4FORB QD FML FLATFACE	

Third Function Valve Kit 380-330A with Pioneer Couplers For Kubota MX5400 & MX6000 With Cab

Applies to SGC1560, SGC1572, SGC1584



73106

Third Function Valve Kit 380-330A with Pioneer Couplers For Kubota MX5400 & MX6000 With Cab

Applies to SGC1560, SGC1572, SGC1584
 Re Part No. Part Description

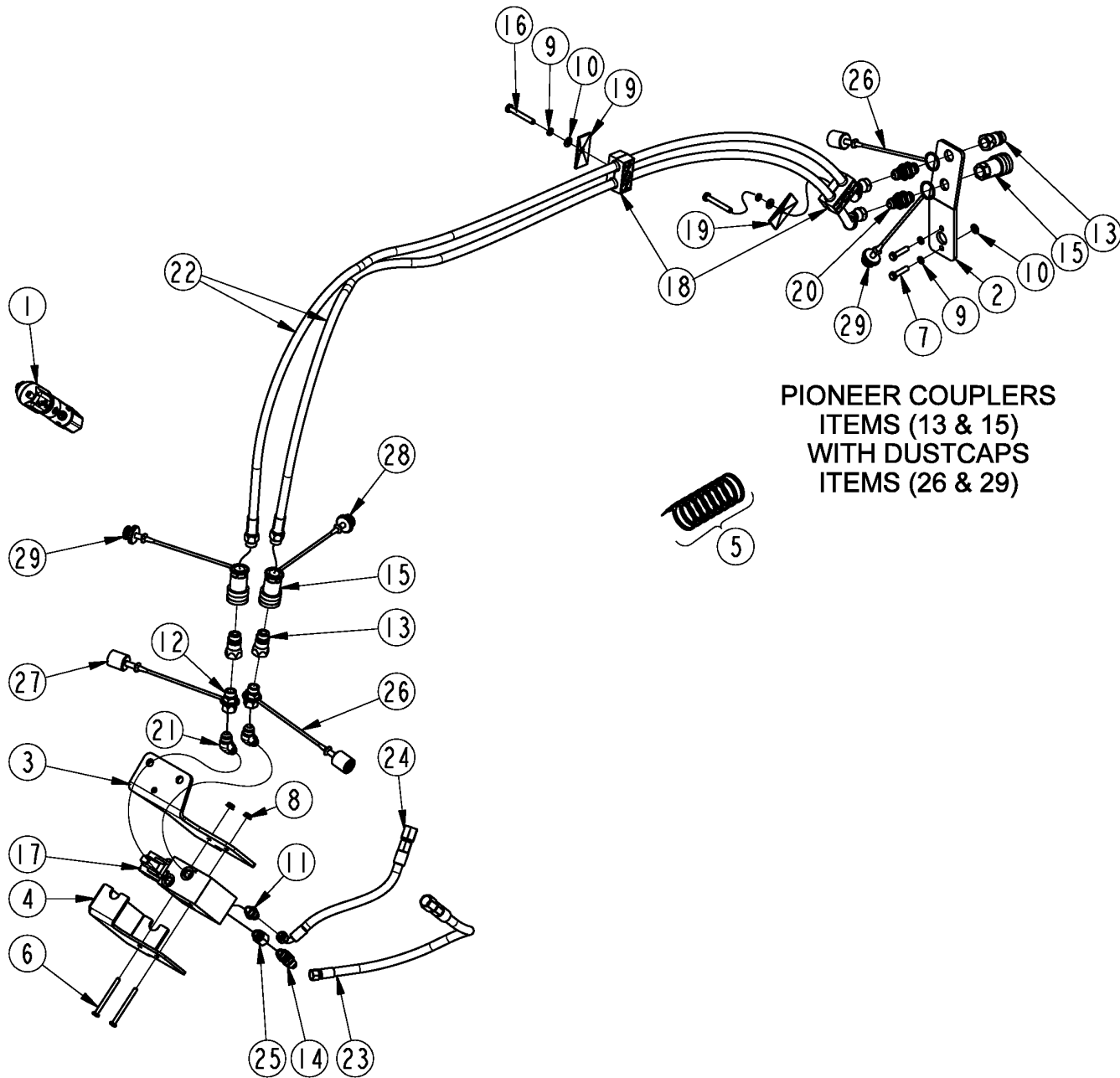
Comments

Revision

	Dwg 73106	Image No.		
	380-330A	3FVK PC MX6000 CAB		
		*		
1.	380-314S	ASY, PSH BUTTN CNTRL HNDL CAB		
2.	380-418D	PLATE, BULKHEAD MOUNT		
3.	380-419D	COVER PLATE, 3RD VALVE		
4.	380-310H	WMT, VALVE MNT BRKT		
5.	380-427D	COVER BRKT, WIRE HARNESS		
6.	800-112C	CABLE TIE .19X7.25 1.75D 50LB		
7.	802-010C	HHCS 5/16-18X1 1/4 GR5		
8.	802-159C	HHCS 5/16-18X1 GR5		
9.	802-274C	HHCS 1/4-20X3 GR5		
10.	802-967C	HHCS M8X1.25X35 GR8.8		
11.	804-009C	WASHER LOCK SPRING 5/16 PLT		
12.	804-036C	WASHER FLAT 5/16 SAE PLT		
13.	804-157C	WASHER SPRING LOCK M8 PLT		
14.	804-161C	WASHER FLAT M8 PLT		
15.	811-169C	EL 9/16MJIC 9/16FJIC		
16.	811-170C	AD 9/16MORB 9/16MJIC		
17.	811-324C	AD 3/4MORB 3/4FJIC		
18.	811-394C	CP 3/4FORB MALE QD POPPET TYPE		
19.	811-870C	CP 3/4FORB QD FEMALE (POPPET)		
20.	842-017C	HHCS M8X1.25X60 GR8.8		
21.	850-313C	VALVE, THIRD FUNCTION (DELTA)		
22.	851-241C	STAUFF CLAMP BODY 3D 0.79HOLE		
23.	851-245C	STAUFF COVER PLATE GROUP 3D		
24.	851-344C	AD 3/4MJIC 3/4MORB BLKHD W/ LN		
25.	851-481C	EL 3/4MJIC BLKHD 45 W/ LN		
26.	861-426C	HH3/8R2 022 9/16FJIC90 3/4FJIC		
27.	861-427C	HH3/8R2 017 9/16FJIC 3/4FJIC90		
28.	861-428C	HH3/8R2 090 3/4FJIC45 3/4MORB		
29.	861-462C	HH3/8R2 018 9/16FJIC90 3/4FJIC		
30.	861-471C	HH3/8R2 016 9/16FJIC 3/4FJIC90		
31.	861-539C	BLACK DUST CAP, 1/2" QD AG		
32.	861-540C	GREEN DUST CAP, 1/2" QD AG		
33.	861-541C	BLACK DUST PLUG, 1/2" QD AG		
34.	861-542C	GREEN DUST PLUG, 1/2" QD AG		
35.	803-194c	NUT HEX WHIZ 1/4-20 PLT		

Third Function Valve Kit 380-331A with Pioneer Couplers For Kubota MX5400 & MX6000 With ROPS

Applies to SGC1560, SGC1572, SGC1584



73109

Third Function Valve Kit 380-331A with Pioneer Couplers For Kubota MX5400 & MX6000 With ROPS

Applies to SGC1560, SGC1572, SGC1584

Part No.	Part Description	Comments	Revision
Dwg 73109	Image No.		
380-331A	3FVK PC MX6000 ROPS *		
1.	380-324S	ASY, PSH BUTTN CNTRL HNDL ROPS	
2.	380-418D	PLATE, BULKHEAD MOUNT	
3.	380-421D	BRKT, VALVE MOUNT	
4.	380-422D	COVER, 3RD VALVE	
5.	800-112C	CABLE TIE .19X7.25 1.75D 50LB	
6.	802-274C	HHCS 1/4-20X3 GR5	
7.	802-967C	HHCS M8X1.25X35 GR8.8	
8.	803-194C	NUT HEX WHIZ 1/4-20 PLT	
9.	804-157C	WASHER SPRING LOCK M8 PLT	
10.	804-161C	WASHER FLAT M8 PLT	
11.	811-170C	AD 9/16MORB 9/16MJIC	
12.	811-324C	AD 3/4MORB 3/4FJIC	
13.	811-394C	CP 3/4FORB MALE QD POPPET TYPE	
14.	811-416C	EL 45 9/16MJIC 9/16MORB	
15.	811-870C	CP 3/4FORB QD FEMALE (POPPET)	
16.	842-017C	HHCS M8X1.25X60 GR8.8	
17.	850-313C	VALVE, THIRD FUNCTION (DELTA)	
18.	851-241C	STAUFF CLAMP BODY 3D 0.79HOLE	
19.	851-245C	STAUFF COVER PLATE GROUP 3D	
20.	851-344C	AD 3/4MJIC 3/4MORB BLKHD W/ LN	
21.	851-647C	EL 45 9/16MORB 3/4MJIC	
22.	861-428C	HH3/8R2 090 3/4FJIC45 3/4MORB	
23.	861-430C	HH3/8R2 023 3/4FJIC 9/16FJIC	
24.	861-431C	HH3/8R2 013 3/4FJIC 9/16FJIC90	
25.	861-528C	AD 9/16MORB 9/16FORB	
26.	861-539C	BLACK DUST CAP, 1/2" QD AG	
27.	861-540C	GREEN DUST CAP, 1/2" QD AG	
28.	861-541C	BLACK DUST PLUG, 1/2" QD AG	
29.	861-542C	GREEN DUST PLUG, 1/2" QD AG	



Part Number Index

The Part Number Index is a numeric index of all part numbers included in this manual. The index shows what page(s) the part is used on.

Part Number	Page	Part Number	Page	Part Number	Page
130560	13	804-036C	27, 31	842-017C	27, 29, 31, 33
138028	13	804-054C	19	843-178C	19
138106	13	804-157C	25, 27, 29, 31, 33	848-159C	15
190131	13	804-161C	25, 27, 29, 31, 33	848-964C	15
190186	13	805-058C	11, 13	848-965C	15
194016	13	806-147C	7	848-966C	15
197082	13	810-783C	9, 11, 13	850-261C	13
197175	13	810-926C	25	850-313C	27, 29, 31, 33
199209	13	811-063C	9	850-472C	25
1A1757	11	811-078C	9	851-084C	25
1D1551-20275	11	811-091C	21	851-090C	23
257835	13	811-150C	23	851-241C	27, 29, 31, 33
258821	13	811-169C	27, 31	851-245C	27, 29, 31, 33
258879	13	811-170C	25, 27, 29, 31, 33	851-344C	25, 27, 29, 31, 33
2A0172-20	11	811-205C	21	851-481C	27, 31
2A0246-12	11	811-324C	27, 29, 31, 33	851-489C	25
2A0462-300	11	811-394C	25, 27, 29, 31, 33	851-490C	25
380-004H	7	811-416C	29, 33	851-647C	29, 33
380-005H	9	811-744C	21	851-947C	21
380-063A	21	811-745C	21	851-948C	21
380-065H	7	811-870C	23, 25, 27, 29, 31, 33	861-426C	27, 31
380-066H	7	818-045C	15	861-427C	27, 31
380-068H	7	818-190C	15	861-428C	27, 29, 31, 33
380-069H	7	821-011C	17	861-430C	29, 33
380-071H	7	821-011CGL	17	861-431C	29, 33
380-072H	7	821-011CQT	17	861-462C	27, 31
380-150A	23	821-011CTU	17	861-471C	27, 31
380-165S	25	821-054C	17	861-528C	29, 33
380-166A	25	821-054CGL	17	861-539C	25, 27, 29, 31, 33
380-254D	25	821-054CQT	17	861-540C	25, 27, 29, 31, 33
380-255D	25	821-054CTU	17	861-541C	25, 27, 29, 31, 33
380-310H	27, 31	821-058C	17	861-542C	25, 27, 29, 31, 33
380-311A	27	821-058CGL	17	861-543C	27, 29
380-312A	29	821-058CQT	17	891-177C	7, 11, 13
380-313H	19	821-058CTU	17	99362A300	19
380-314S	19, 27, 31	821-066C	17	Dwg 35211	9
380-324S	29, 33	821-066CGL	17	Dwg 35213	11
380-330A	31	821-066CQT	17	Dwg 35298	21
380-331A	33	821-066CTU	17	Dwg 37014	23
380-418D	27, 29, 31, 33	821-067C	17	Dwg 37543	25
380-419D	27, 31	821-067CGL	17	Dwg 70168	13
380-421D	29, 33	821-067CQT	17	Dwg 73106	31
380-422D	29, 33	821-067CTU	17	Dwg 73107	27
380-427D	27, 31	821-070C	17	Dwg 73109	33
4C4360	11	821-070CGL	17	Dwg 73110	29
4C5180	11	821-070CQT	17	Dwg 73114	19
4C5519	11	821-080C	17	dwg35419	7
4C5844	11	821-080CGL	17	dwg35420	15
4C6421	11	821-080CQT	17	N/A	11
755604	13	833-495C	25		
755605	13	833-650C	25		
800-001C	13	833-739C	19		
800-080C	7	837-053C	19		
800-112C	25, 27, 29, 31, 33	837-054C	19		
801-091C	19	837-365C	19		
801-204C	19	838-094C	15		
801-250C	19	838-293C	15		
802-010C	27, 31	841-099C	27, 29		
802-082C	7, 9	841-331C	25		
802-159C	27, 31	841-680C	9		
802-274C	27, 29, 31, 33	841-681C	9		
802-314C	25	841-682C	9		
802-418C	25	841-692C	9		
802-967C	25, 27, 29, 31, 33	841-693C	9		
803-008C	19	841-694C	9		
803-169C	7, 9	841-695C	21		
803-194C	7, 27, 29, 33	841-873C	9		
803-194c	31				
803-269C	19				
804-009C	27, 31				

This Page Intentionally Left Blank



Great Plains Manufacturing, Inc.

Corporate Office: P.O. Box 5060
Salina, Kansas 67402-5060 USA

www.landpride.com
