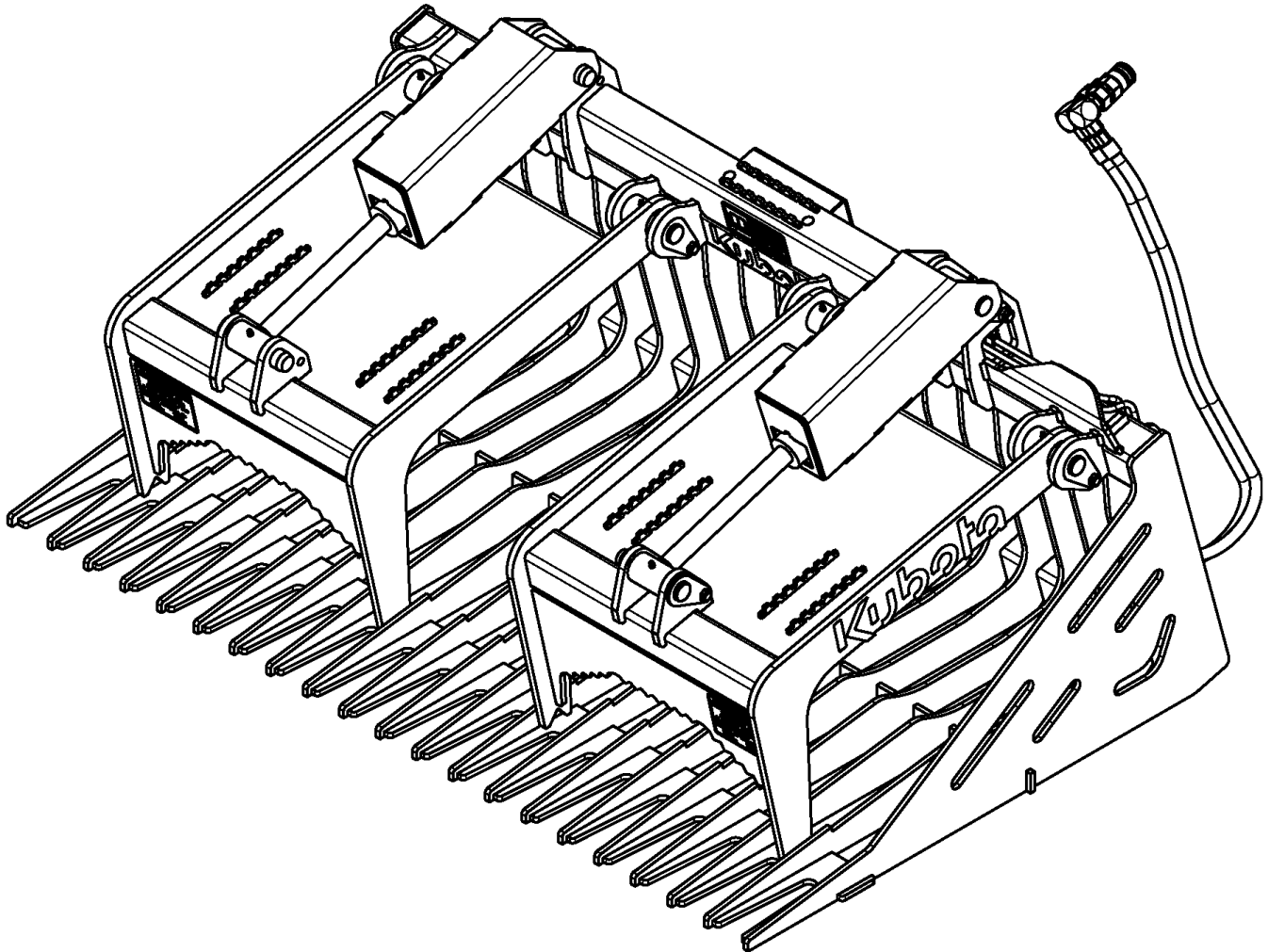


Grapples

AP-SGR1566, AP-SGR1572, & AP-SGR1578



37843

380-054PK
Parts Manual

Kubota®



Read the Operator's Manual entirely. When you see this symbol, the subsequent instructions and warnings are serious - follow without exception. Your life and the lives of others depend on it!

© Copyright 2020 Printed 08/13/20

Cover photo may show optional equipment not supplied with standard unit.



Table of Contents

Section 1: Introduction.....	4
Using This Manual.....	4
Manual Replacement Information.....	4
Manual Revisions.....	4
Touch-up Paint.....	4
Hardware Legend.....	5
Replacement Hardware.....	5
Serial Numbers.....	5
Part Number Service Coding.....	5
Section 2: Main Assembly.....	6
Grapple Hook & Bucket.....	6
Hydraulic Components.....	8
Hydraulic Cylinder (810-815C).....	10
Section 3: Options & Accessories.....	12
Hydraulic Cylinder Shield.....	12
Hydraulic Hose Option Kubota SVL.....	14
Upper Grapple Option.....	16
Section 4: Decals.....	18
Decal Placement.....	18
Touch-up Paints - Kubota.....	20
Part Number Index.....	22

© Copyright 2020. All rights reserved.

Kubota provides this publication “as is” without warranty of any kind, either expressed or implied. While every precaution has been taken in the preparation of this manual, Kubota assumes no responsibility for errors or omissions. Neither is any liability assumed for damages resulting from the use of the information contained herein. Kubota reserves the right to revise and improve its products as it sees fit. This publication describes the state of this product at the time of its publication, and may not reflect the product in the future. The illustrations in this manual are not intended for safe and proper assembly or disassembly of equipment. The illustrations are intended for ordering parts only.

Kubota is registered trademark.

All other brands and product names are trademarks or registered trademarks of their respective holders.

Printed in the United States of America.



Alphabetized Table of Contents

D	
Decal Placement.....	18
G	
Grapple Hook & Bucket.....	6
H	
Hydraulic Components.....	8
Hydraulic Cylinder (810-815C).....	10
Hydraulic Cylinder Shield.....	12
Hydraulic Hose Option Kubota SVL.....	14
T	
Touch-up Paints - Kubota.....	20
U	
Upper Grapple Option.....	16

General Information

Using This Manual

This manual is divided into sections. The first section contains General Information. The remaining sections divide the machine into segments (i.e. Frames, Drives, Hydraulics, etc.) which illustrate and list all parts. A Parts Number Index is located at the back of the book.

The Kubota parts in this manual are specially designed for this machine and should be replaced with Kubota parts only.

The information in this manual is current at time of printing. Some parts may change to assure top performance.

Right-hand and left-hand as used in this manual are determined by facing the direction the machine will travel while in use.

Below is an example of two facing pages from a parts manual. Familiarize yourself with the type of information contained on these pages.

Manual Replacement Information

Replacement manuals are available. Refer to our website at www.landpride.com for additional information. Our website continues to provide the most up-to-date manuals available.

Touch-up Paint

Repaint parts where paint is worn or scratched to prevent rust. Aerosol cans and touch-up bottles with brush applicator are available through your local dealer. Also available are quart and gallon size paints. Add QT or GL to end of the Aerosol P/N.

Kubota color descriptions and part numbers are listed on the "Kubota Touch-up Paints" page in the "Decals" section of this book.



General Information

Hardware Legend

AR	As Required
BLADE	Blade Bolt
C	Cap Screw
CP	Cotter Pin
CPHSSS	Cup Point Hex Socket Set Screw
CPSHSS	Cup Point Square Head Set Screw
CPSQHSS	Cup Point Square Head Set Screw
CRFCHMS3	Cross Recess Flat Countersunk Head Machine Screw
CRPHMS	Cross Recess Pan Head Machine Screw
CRPHTFS	Cross Recess Pan Head Thread Forming
CRRHMS	Cross Recess Round Head Machine Screw
CRTHMS	Cross Recess Truss Head Machine Screw
CSNB	Countersunk Square Neck Bolt
FHMS	Flat Head Machine Screw
FTC	Full Thread Cap Screw
H	Hex Nut
HCLN	Hex Center Lock Nut
HFLCS	Hex Flange Lock Cap Screw
HFS	Hex Flange Screw
HFSLN	Hex Flange Serrated Lock Nut
HFSS	Hex Flange Serrated Screw
HHCS	Hex Head Cap Screw or Metric Bolt
HSBHCS	Hex Socket Button Head Cap Screw
HSFCHCS	Hex Socket Flat Countersunk Head Cap Screw
HSHCS	Hex Socket Head Cap Screw
HSSS	Hex Socket Head Screw
HTLN	Hex Top Lock Nut
HWHCS	Hex Washer Head Cap Screw

HWHMS	Hex Washer Head Machine Screw
HXBHCS	Hex Socket Button Head Cap Screw
J	Hex Jam Nut
JIC	37 Degree Tapered Thread
L	Helical Spring Lock Washer
LUG	Lug Bolt
NFC	National Fine Cap Screw
NPSM	National Pipe Straight Mechanical
NPTF	National Pipe Taper Fuel
P	Wide Plain Washer
PHMS	Pan Head Machine Screw
PLOW	Plow Bolt
RHMS	Round Head Machine Screw
RHSNB	Round Head Square Neck Bolt
SCREW LEVELING	Leveling Screw
SCREW THUMB	Thumb Screw
SCREW WELD	Weld Screw
SFCHMS	Slotted Flat Countersunk Head Machine Screw
SFHMS	Slotted Fillister Head Machine Screw
SP	Special
SP SCREW	Special Screw
SQHSS	Square Head Set Screw
SRHMS	Slotted Round Head Machine Screw
SSS	Socket Set Screw
STCS	Self Tapping Cap Screw
STHMS	Slotted Truss Head Machine Screw
WHEEL	Wheel Studs and Hub Long Bolts
WING	Wing Bolt

Replacement Hardware

The **Hardware Legend** above lists hardware abbreviations used in the parts list. All bolts and nuts are Grade 5 unless otherwise noted. The use of improper grades of hardware can result in personal injury, damage to equipment, or loss of property.

Part Number Service Coding

Within the parts list some part numbers are coded for revisions and interchangeability. See notations in revision column.

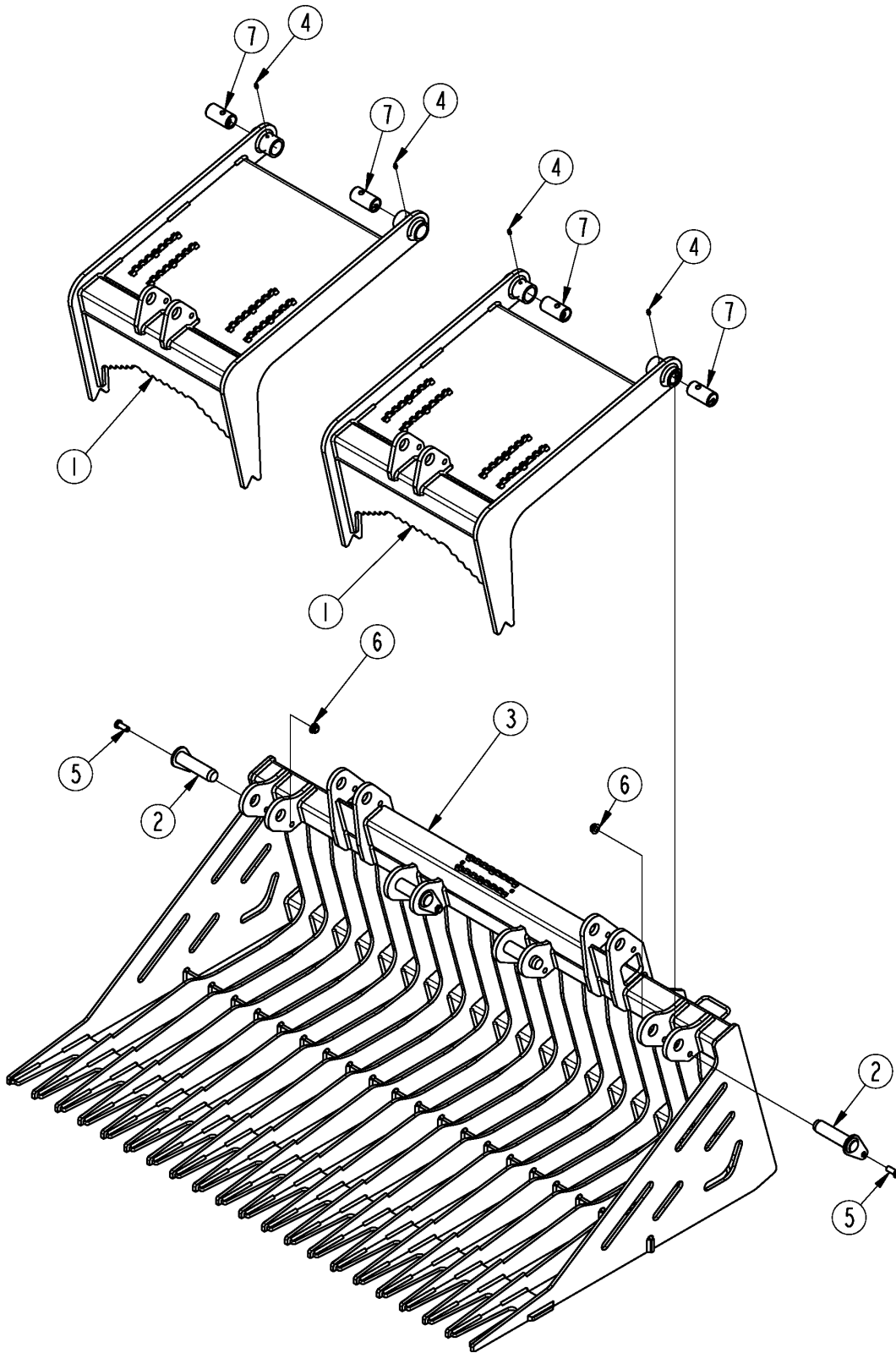
Serial Numbers

Always use the serial and model number when ordering parts. Refer to the Operator's Manual for serial number plate location.

- (S/N 20001+) Includes serial numbers 20001 and above (to the latest number)
- (S/N 10001 to 20000) Includes serial numbers between and including 10001 and 20000
- (S/N 10000-) Includes serial numbers 10000 and below (to the earliest number)

Grapple Hook & Bucket

Applies to AP-SGR1566, AP-SGR1572, AP-SGR1578



37844

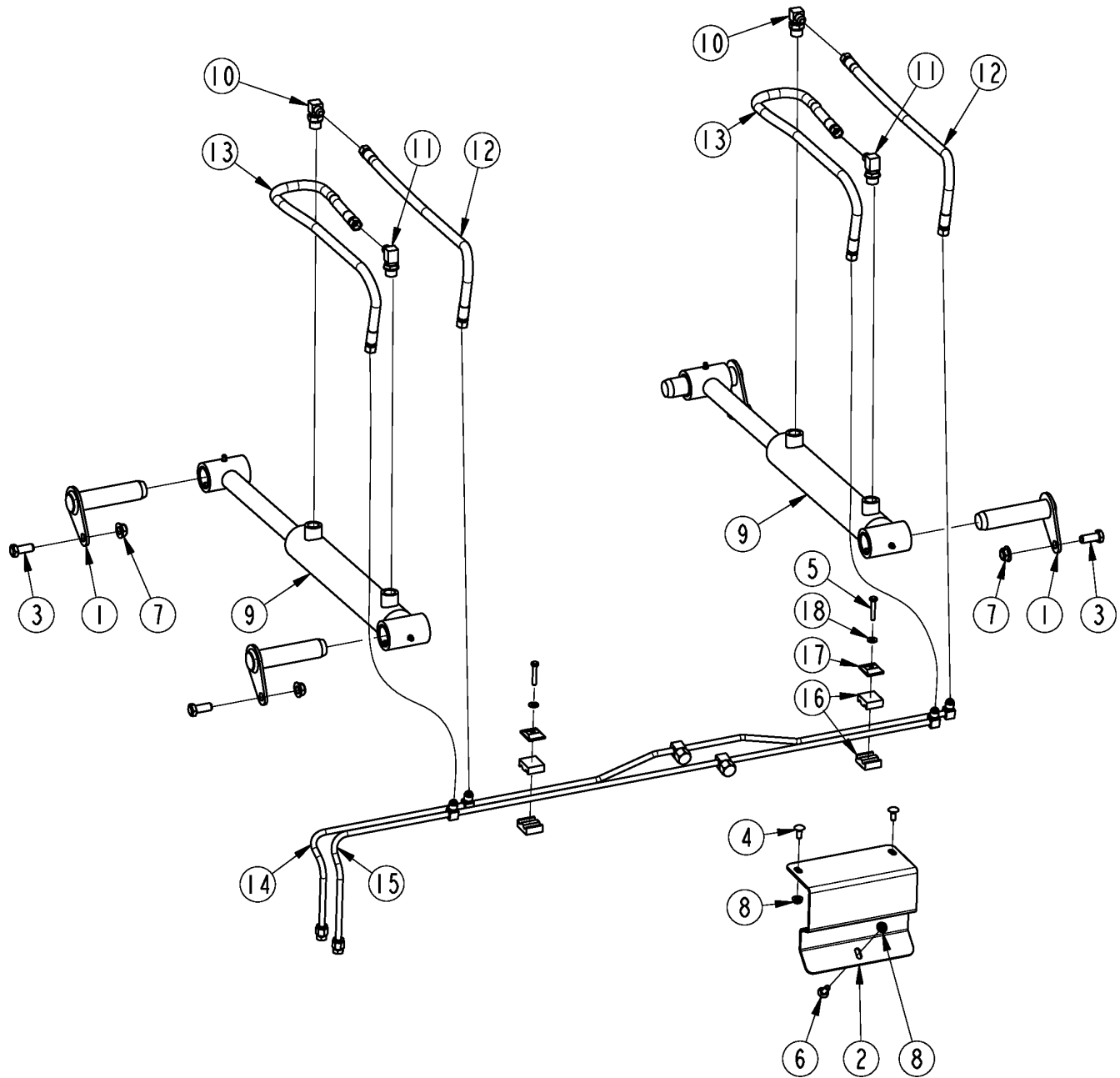
Grapple Hook & Bucket

Applies to AP-SGR1566, AP-SGR1572, AP-SGR1578

Ref	Part No.	Part Description	Comments	Revision
	Dwg 37844	Drawing Image Number		
1.	380-015H	WLDMT, GRAPPLE CLAW		
2.	380-020H	PIN, CYL SHIELD PIVOT		
3.	380-024H	WLDMT, ROCK GRAPPLE BUCKET 66		
3.	380-059H	WLDMT, ROCK GRAPPLE BUCKET 72		
3.	380-026H	WLDMT, ROCK GRAPPLE BUCKET 78		
4.	800-080C	GREASE ZERK 1/4-28 THD FORMING		
5.	802-034C	HHCS 1/2-13X1 1/4 GR5		
6.	803-169C	NUT HEX FLG LOCK 1/2-13 PLT		
7.	890-389C	BUSHING 1.50ODX1.25IDX2.94		

Hydraulic Components

Applies to AP-SGR1566, AP-SGR1572, AP-SGR1578



70877

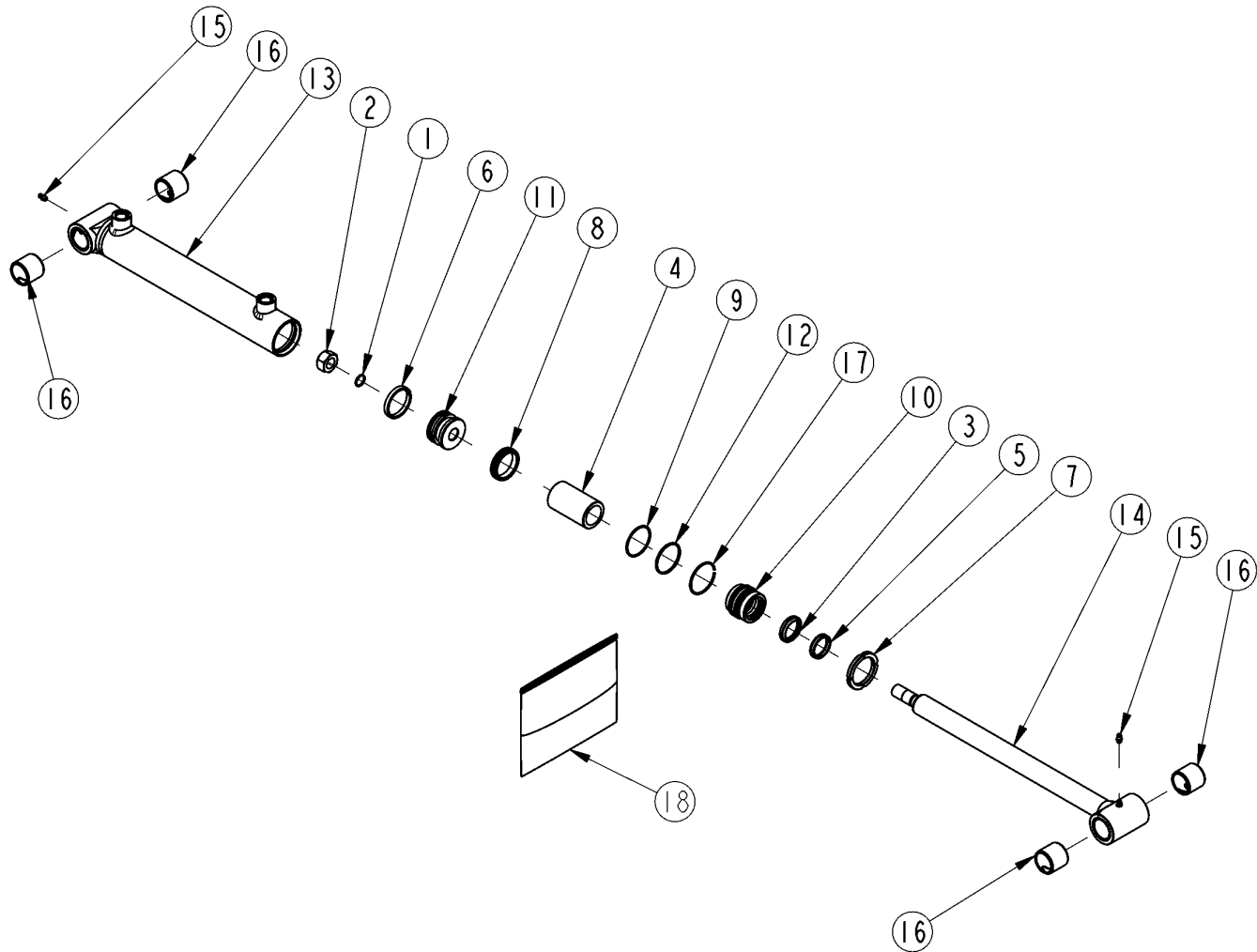
Hydraulic Components**Applies to AP-SGR1566, AP-SGR1572, AP-SGR1578**

Ref	Part No.	Part Description	Comments	Revision
	Dwg 70877	Image No.		
1.	380-020H	PIN, CYL SHIELD PIVOT		
2.	380-045D	COVER, HYD HOSE		
3.	802-034C	HHCS 1/2-13X1 1/4 GR5		
4.	802-092C	RHSNB 5/16-18X3/4 GR5		
5.	802-224C	HHCS 1/4-20X1 1/4 GR5	S/N _____ -	
5.	802-167C	HHCS 1/4-20X1 1/2 GR5	S/N _____ + (Requires 804-007C)	
6.	802-282C	RHSNB 5/16-18X1 GR5		
7.	803-169C	NUT HEX FLG LOCK 1/2-13 PLT		
8.	803-177C	NUT HEX FLG TP LK 5/16-18ZNYCR		
9.	810-815C	CYL 2X8X1 1/4 ROD WELDED		
10.	811-171C	EL 3/4MORB 9/16MJIC	S/N _____ +	
11.	841-284C	OREL 1/16 9/16MJIC 3/4MORB	S/N _____ +	
12.	851-756C	HH1/4R2 020 1/2 9/16FJIC	S/N _____ +	
13.	851-757C	HH1/4R2 030 9/16FJIC	S/N _____ +	
14.	861-148C	HYDRAULIC HARD LINE	S/N _____ +	
15.	861-149C	HYDRAULIC HARD LINE	S/N _____ +	
16.	891-798C	3/8 TWIN HOSE CLAMP	S/N _____ +	
17.	891-800C	TWIN HOSE CLAMP TOP COVER	S/N _____ +	
18.	804-007C	WASHER FLAT 1/4 SAE PLT	S/N _____ +	

*
If the unit is S/N _____ - you may have to refer to "Upper Grapple Option" in section 3 of this manual.

Hydraulic Cylinder (810-815C)

Applies to AP-SGR1566, AP-SGR1572, AP-SGR1578



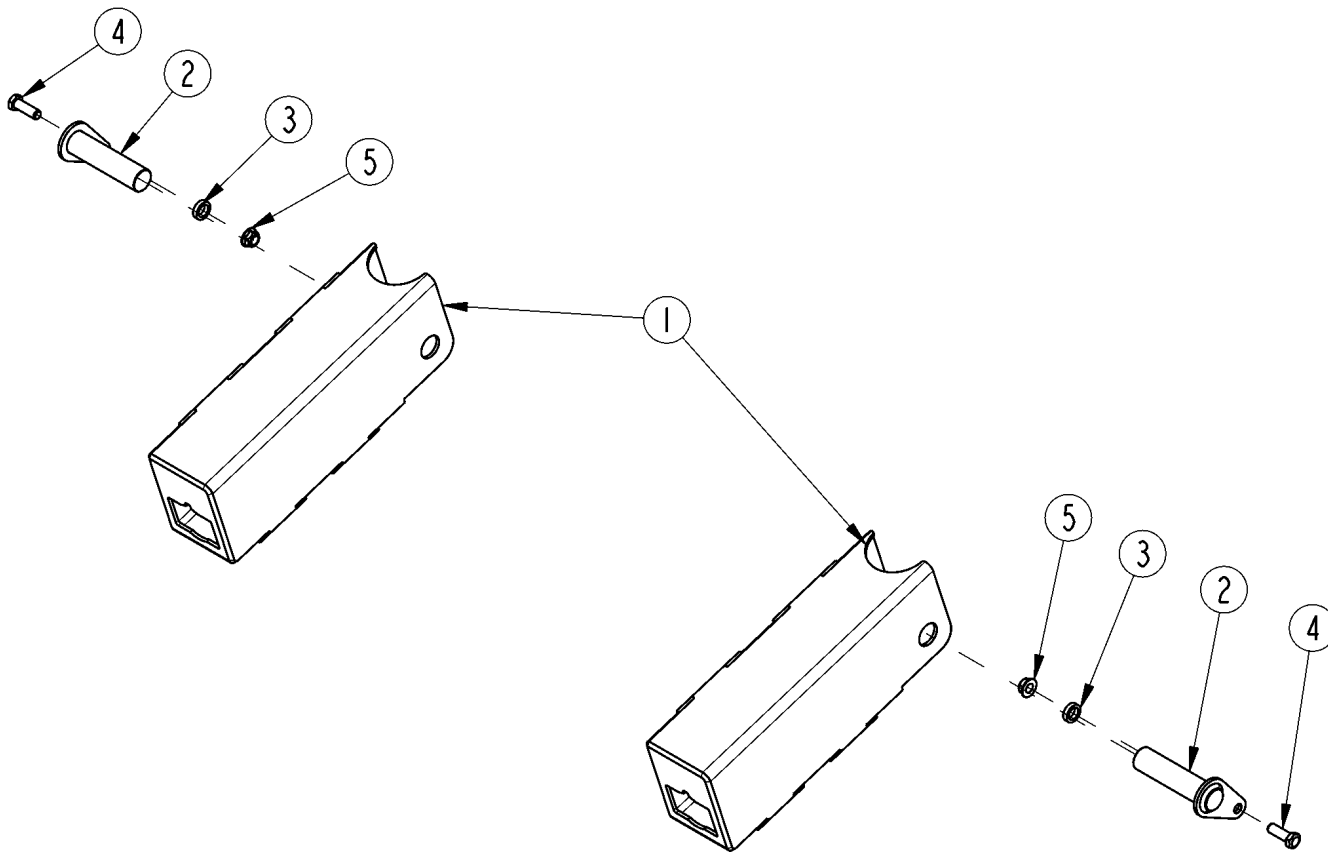
35173

Hydraulic Cylinder (810-815C)**Applies to AP-SGR1566, AP-SGR1572, AP-SGR1578**

Ref	Part No.	Part Description	Comments	Revision
	Dwg 35173 810-815C	Drawing Image Number CYL 2X8X1 1/4 ROD WELDED *		
1.	N/A	EGY ORING N .625X.75 016 D70	In Seal Kit Item #18	
2.	00082477	EGY NUT LOCK REG 3/4-16 GR C		
3.	N/A	EGY WIPER RING 1.25 HVY SECTIO	In Seal Kit Item #18	
4.	0A009944-03	EGY STOP TUBE 1.266IDX1.75ODX3		
5.	N/A	EGY SEAL POLY 1.25X1.50D0.25	In Seal Kit Item #18	
6.	N/A	EGY WEAR RING 2.0ODX.25X.125	In Seal Kit Item #18	
7.	14676A	EGY SPANNER NUT 0.25X2.375 OD		
8.	N/A	EGY PSP PISTON SEAL 2.0 BORE	In Seal Kit Item #18	
9.	N/A	EGY BACKUP RING H 1.812X2.0	In Seal Kit Item #18	
10.	16948B	EGY GUIDE 2.0 BORE-1.25 ROD		
11.	16951B	EGY PISTON - 2.00 BORE		
12.	N/A	EGY ORING NT 1.812X2.0 133 D70	In Seal Kit Item #18	
13.	44058C	EGY CYL BODY 2.00ID W/C 43983C		
14.	44059C	EGY ROD 1.25 W/C 43984B(17.75)		
15.	800-080C	GREASE ZERK 1/4-28 THD FORMING		
16.	891-177C	BHG 1.50ODX1.25X1.38		
17.	N/A	EGY RET RING RD INT 2.0	In Seal Kit Item #18	
18.	44430X	EGY SEAL KIT (810-815C)		

Hydraulic Cylinder Shield

Applies to AP-SGR1566, AP-SGR1572, AP-SGR1578



35160

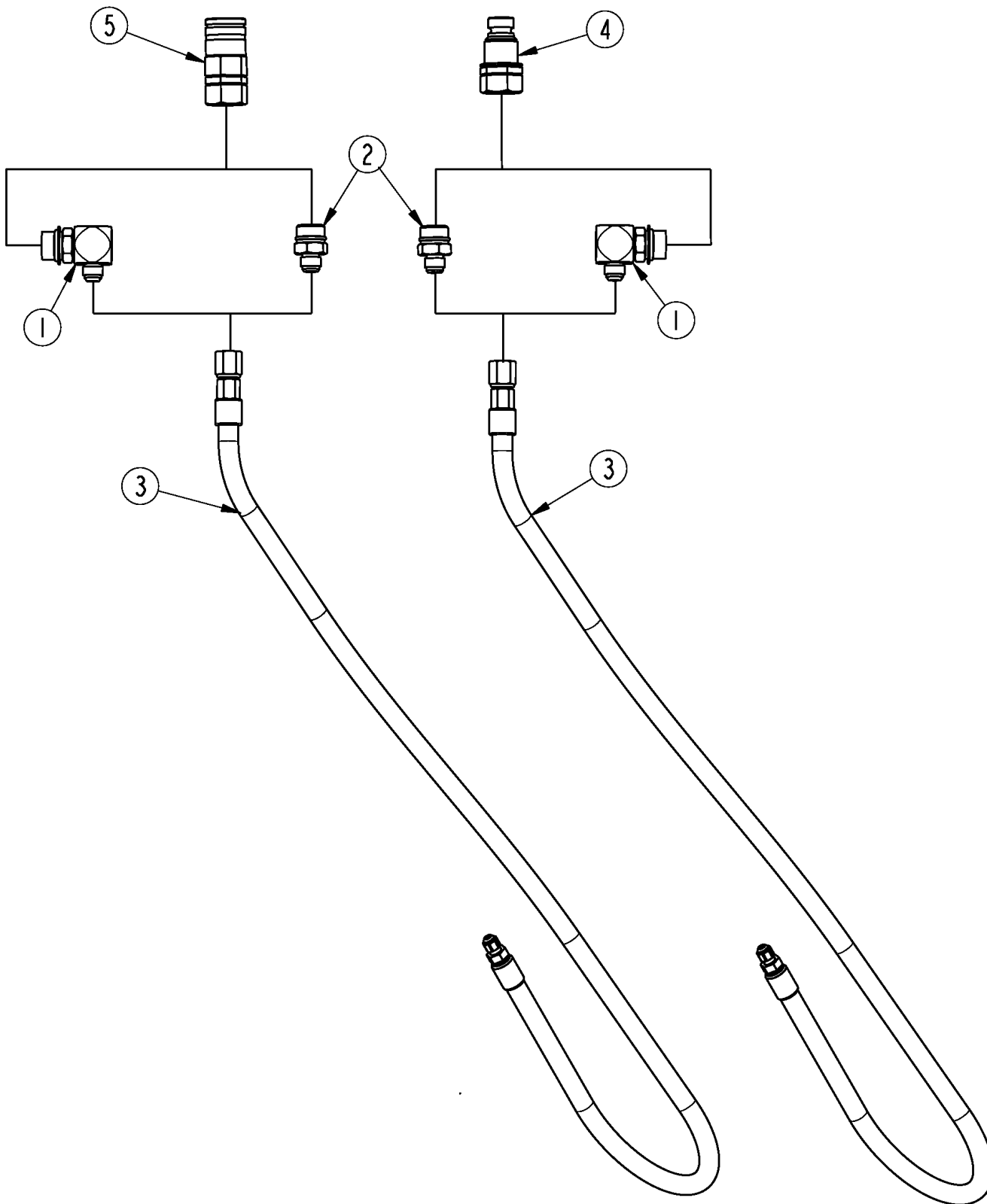
Hydraulic Cylinder Shield

Applies to AP-SGR1566, AP-SGR1572, AP-SGR1578

Ref	Part No.	Part Description	Comments	Revision
	Dwg 35160 380-023A	Drawing Image Number SHIELD, HYD CYLINDER *		
1.	380-019H	WLDMT, HYD CYL SHIELD		
2.	380-020H	PIN, CYL SHIELD PIVOT		
3.	405-031D	1/4 PW SPACER 5/8 DIA		
4.	802-091C	HHCS 1/2-13X1 1/2 GR5		
5.	803-169C	NUT HEX FLG LOCK 1/2-13 PLT		

Hydraulic Hose Option Kubota SVL

Applies to AP-SGR1566, AP-SGR1572, AP-SGR1578



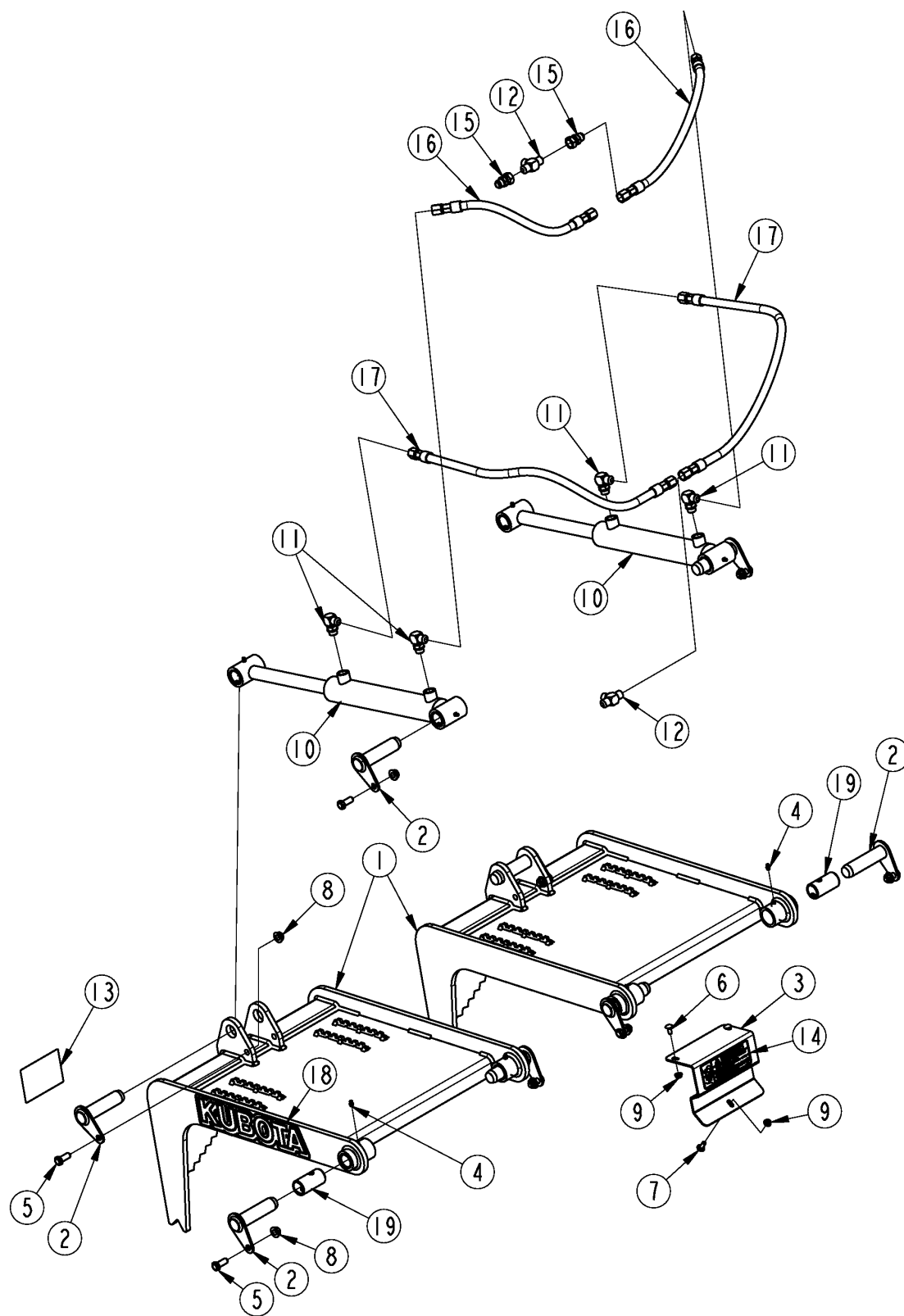
35269

Hydraulic Hose Option Kubota SVL**Applies to AP-SGR1566, AP-SGR1572, AP-SGR1578**

Ref	Part No.	Part Description	Comments	Revision
	Dwg 35269 380-061A	Drawing Image Number HOSE BUNDLE, KUBOTA SVL *		
1.	811-091C	EL 3/4MJIC 1 1/16MORB	As Required	
2.	811-205C	AD 3/4MJIC 1 1/16MORB	As Required	
3.	851-762C	HH3/8R2 056 3/4FJIC 9/16MJI	S/N _____+	
3.	841-828C	HH1/2R2 95 3/4FJIC (1)90 TUFF	S/N _____-	
4.	851-947C	CUP 1 1/16FORB MALE QUICK CPLR		
4.	811-744C	RPBY 851-947C	Obsolete	
5.	851-948C	CUP 1 1/16FORB FML QUICK CPLR		
5.	811-745C	RPBY 851-948C	Obsolete	

Upper Grapple Option

Applies to AP-SGR1566, AP-SGR1572, AP-SGR1578



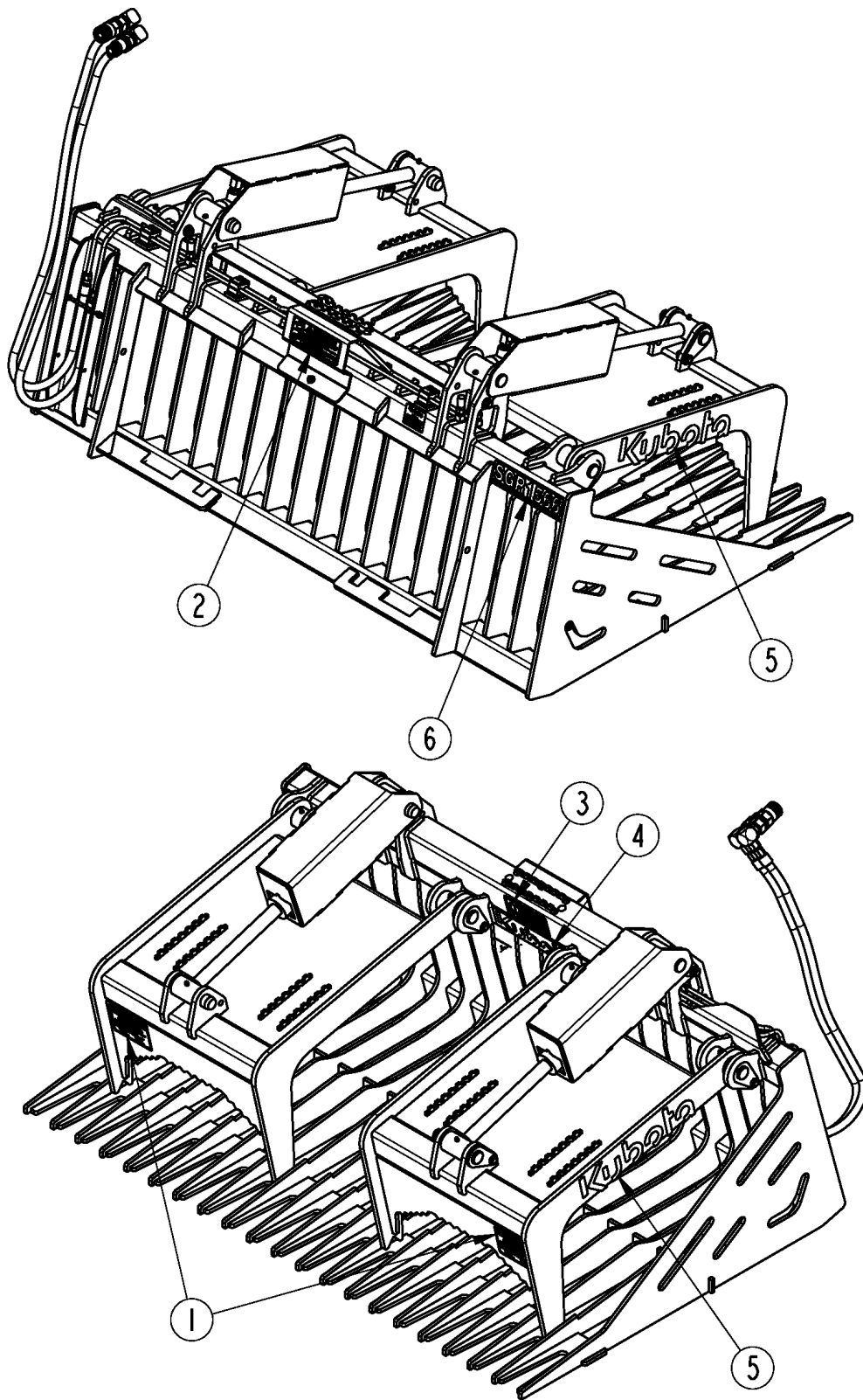
37835

Upper Grapple Option**Applies to AP-SGR1566, AP-SGR1572, AP-SGR1578**

Ref	Part No.	Part Description	Comments	Revision
	Dwg 37835	Drawing Image Number		
1.	380-015H	WLDMT, GRAPPLE CLAW		
2.	380-020H	PIN, CYL SHIELD PIVOT		
3.	380-045D	COVER, HYD HOSE		
4.	800-080C	GREASE ZERK 1/4-28 THD FORMING		
5.	802-034C	HHCS 1/2-13X1 1/4 GR5		
6.	802-092C	RHSNB 5/16-18X3/4 GR5		
7.	802-282C	RHSNB 5/16-18X1 GR5		
8.	803-169C	NUT HEX FLG LOCK 1/2-13 PLT		
9.	803-177C	NUT HEX FLG TP LK 5/16-18ZNYCR		
10.	810-815C	CYL 2X8X1 1/4 ROD WELDED		
11.	811-063C	EL 3/4MJIC 3/4MORB		
12.	811-078C	TE 3/4MJIC		
13.	818-045C	DECAL WARNING PINCH PT/CRUSH		
14.	838-094C	DECAL WARNING HYD PRESS LONG		
15.	841-910C	ORAD 3/32 3/4MJIC 3/4FJIC		
16.	851-691C	HH1/2R2 021 3/4FJIC TUFF COAT		
17.	851-692C	HH1/2R2 033 3/4FJIC TUFF COAT		
18.	858-399C	DECAL KUBOTA 15"		
19.	890-389C	BUSHING 1.50ODX1.25IDX2.94		
		*		
		Components are still available, however this option is no longer available for units SN_____ -		

Decal Placement

Applies to AP-SGR1566, AP-SGR1572, AP-SGR1578



37845

Decal Placement

Applies to AP-SGR1566, AP-SGR1572, AP-SGR1578

Ref	Part No.	Part Description	Comments	Revision
	Dwg 37845	Drawing Image Number		
1.	818-045C	DECAL WARNING PINCH PT/CRUSH		
2.	838-094C	DECAL WARNING HYD PRESS LONG		
3.	838-293C	DECAL WARNING READ MANUAL		
4.	858-398C	DECAL KUBOTA 10"		
5.	858-399C	DECAL KUBOTA 15"		
6.	858-496C	DECAL SGR1566 WHITE		
6.	858-497C	DECAL SGR1572 WHITE		
6.	858-498C	DECAL SGR1578 WHITE		

Touch-up Paints - Kubota

Applies to AP-SGR1566, AP-SGR1572, AP-SGR1578

No diagram associated with this Parts List

Touch-up Paints - Kubota

Applies to AP-SGR1566, AP-SGR1572, AP-SGR1578

Ref	Part No.	Part Description	Comments	Revision
1.	821-070C	GLOSS BLACK SPRAY CAN	Spray can	
2.	821-070CTU	GLOSS BLACK TOUCH-UP 5OZ	Touch-up bottle with brush	
3.	821-070CQT	GLOSS BLACK QUART	Quart can	
4.	821-070CGL	GLOSS BLACK GALLON	Gallon Can	
5.	821-006C	ORANGE SPRAY CAN	Spray can	
6.	821-066CTU	ORANGE TOUCH-UP 5OZ	Touch-up bottle with brush	
7.	821-066CQT	ORANGE QUART	Quart can	
8.	821-066CGL	ORANGE GALLON	Gallon Can	
9.	821-085C	PAINT KBT DARK GRAY SPRAY CAN	Spray can	
10.	821-085CTU	PAINT KBT DARK GRAY TCH-UP 4OZ	Touch-up bottle with brush	



Part Number Index

The Part Number Index is a numeric index of all part numbers included in this manual. The index shows what page(s) the part is used on.

Part Number	Page	Part Number	Page
00082477	11	Dwg 35160	13
0A009944-03	11	Dwg 35173	11
14676A	11	Dwg 35269	15
16948B	11	Dwg 37835	17
16951B	11	Dwg 37844	7
380-015H	7, 17	Dwg 37845	19
380-019H	13	Dwg 70877	9
380-020H	7, 9, 13, 17	N/A	11
380-023A	13		
380-024H	7		
380-026H	7		
380-045D	9, 17		
380-059H	7		
380-061A	15		
405-031D	13		
44058C	11		
44059C	11		
44430X	11		
800-080C	7, 11, 17		
802-034C	7, 9, 17		
802-091C	13		
802-092C	9, 17		
802-167C	9		
802-224C	9		
802-282C	9, 17		
803-169C	7, 9, 13, 17		
803-177C	9, 17		
804-007C	9		
810-815C	9, 11, 17		
811-063C	17		
811-078C	17		
811-091C	15		
811-171C	9		
811-205C	15		
811-744C	15		
811-745C	15		
818-045C	17, 19		
821-006C	21		
821-066CGL	21		
821-066CQT	21		
821-066CTU	21		
821-070C	21		
821-070CGL	21		
821-070CQT	21		
821-070CTU	21		
821-085C	21		
821-085CTU	21		
838-094C	17, 19		
838-293C	19		
841-284C	9		
841-828C	15		
841-910C	17		
851-691C	17		
851-692C	17		
851-756C	9		
851-757C	9		
851-762C	15		
851-947C	15		
851-948C	15		
858-398C	19		
858-399C	17, 19		
858-496C	19		
858-497C	19		
858-498C	19		
861-148C	9		
861-149C	9		
890-389C	7, 17		
891-177C	11		
891-798C	9		
891-800C	9		

This Page Intentionally Left Blank



KUBOTA TRACTOR CORPORATION

1000 Kubota Drive, Grapevine, TX 76051

Telephone: (817) 756-1171

Western Division: 1175 S. Guild Ave., Lodi, CA 95240
Telephone: (209) 334-9910

Central Division: 14855 FAA Blvd., Fort Worth, TX 76155
Telephone: (817) 571-0900

Northern Division: 6300 at One Kubota Way, Groveport, OH 43125
Telephone: (614) 835-1100

Southeast Division: 1025 Northbrook Parkway, Suwanee, GA 30024
Telephone: (770) 995-8855

www.kubota.com
