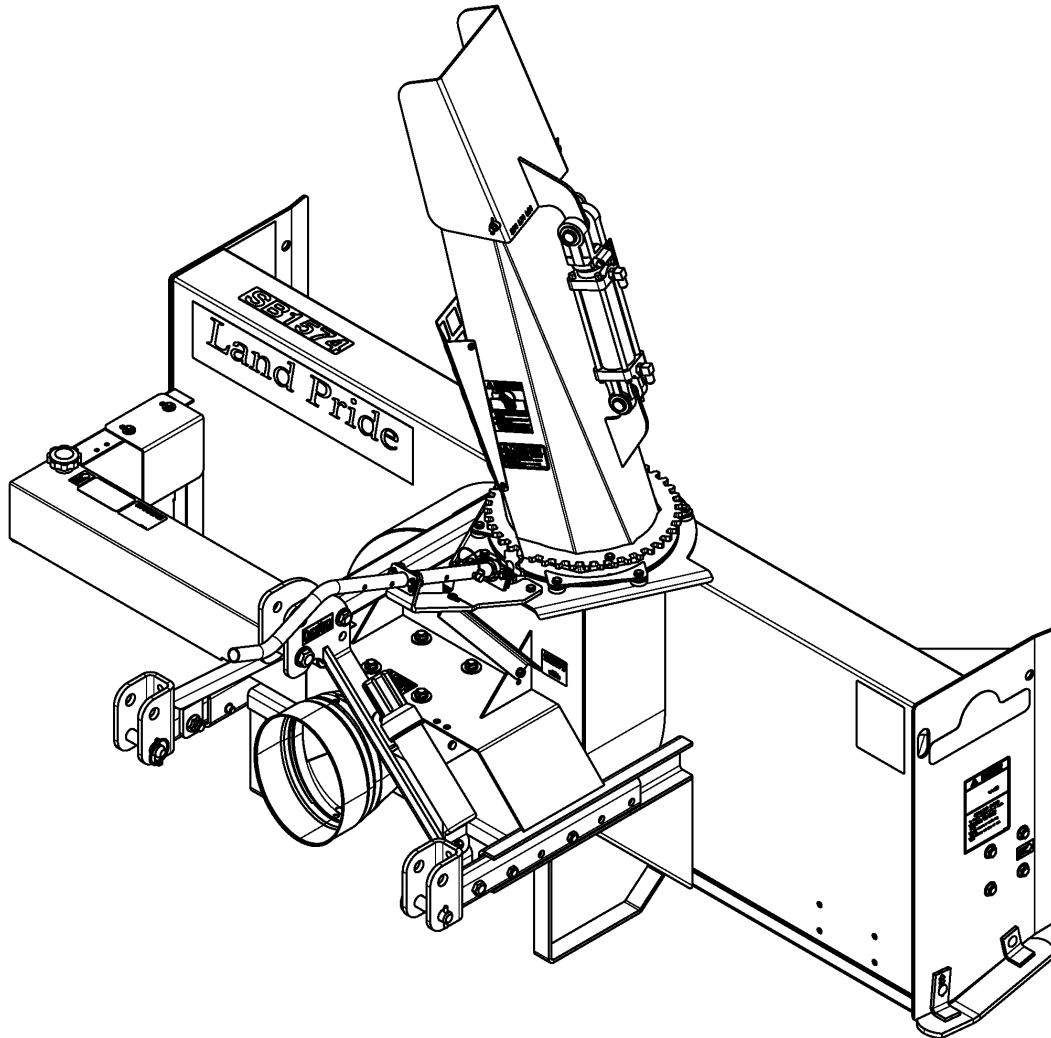


# Snow Blower

SB1574



37067

**370-431P**  
**Parts Manual**



Read the Operator's Manual entirely. When you see this symbol, the subsequent instructions and warnings are serious - follow without exception. Your life and the lives of others depend on it!

© Copyright 2020 Printed 08/21/20

Cover photo may show optional equipment not supplied with standard unit.





# Table of Contents

---

<b>Section 1: Introduction.....</b>	<b>4</b>
Using This Manual.....	4
Manual Replacement Information.....	4
Manual Revisions.....	4
Touch-up Paint.....	4
Hardware Legend.....	5
Replacement Hardware.....	5
Serial Numbers.....	5
Part Number Service Coding.....	5
<b>Section 2: Frame &amp; Auger Components.....</b>	<b>6</b>
Auger Components.....	6
Frame & Chute.....	8
Hitch Components.....	10
<b>Section 3: Drive Components.....</b>	<b>12</b>
Auger & Impeller Drive.....	12
Driveline (826-687C) Comer.....	14
Gear Box (826-654C).....	16
<b>Section 4: Options &amp; Accessories.....</b>	<b>18</b>
Chute Adjustment Electric.....	18
Chute Adjustment Hydraulic.....	20
Chute Adjustment Manual (370-457A).....	22
Chute Adjustment Manual (370-577A).....	24
Control Box (823-377C).....	26
Electric Switch Box Harness.....	28
Hitch & Driveline Bundle.....	30
Hydraulic Cylinder Double Acting (810-125C) Lion.....	32
Inner Skid Shoes.....	34
Lower Wear Bar Kit SB15.....	36
Outer Skid Shoes.....	38
Side Adjustment Plates.....	40
Tilt Adjustment Electric.....	42
Tilt Adjustment Hydraulic.....	44
Tilt Adjustment Manual.....	46
<b>Section 5: Decal Placement.....</b>	<b>48</b>
Decal Placement.....	48
Touch-up Paints - LP.....	50
 <b>Part Number Index.....</b>	 <b>52</b>

© Copyright 2020. All rights reserved.

Land Pride provides this publication “as is” without warranty of any kind, either expressed or implied. While every precaution has been taken in the preparation of this manual, Land Pride assumes no responsibility for errors or omissions. Neither is any liability assumed for damages resulting from the use of the information contained herein. Land Pride reserves the right to revise and improve its products as it sees fit. This publication describes the state of this product at the time of its publication, and may not reflect the product in the future. The illustrations in this manual are not intended for safe and proper assembly or disassembly of equipment. The illustrations are intended for ordering parts only.

Land Pride is registered trademark.

All other brands and product names are trademarks or registered trademarks of their respective holders.

*Printed in the United States of America.*



# Alphabetized Table of Contents

---

<b>A</b>	
Auger & Impeller Drive.....	12
Auger Components.....	6
<b>C</b>	
Chute Adjustment Electric.....	18
Chute Adjustment Hydraulic.....	20
Chute Adjustment Manual (370-457A).....	22
Chute Adjustment Manual (370-577A).....	24
Control Box (823-377C).....	26
<b>D</b>	
Decal Placement.....	48
Driveline (826-687C) Comer.....	14
<b>E</b>	
Electric Switch Box Harness.....	28
<b>F</b>	
Frame & Chute.....	8
<b>G</b>	
Gear Box (826-654C).....	16
<b>H</b>	
Hitch & Driveline Bundle.....	30
Hitch Components.....	10
Hydraulic Cylinder Double Acting (810-125C) Lion.....	32
<b>I</b>	
Inner Skid Shoes.....	34
<b>L</b>	
Lower Wear Bar Kit SB15.....	36
<b>O</b>	
Outer Skid Shoes.....	38
<b>S</b>	
Side Adjustment Plates.....	40
<b>T</b>	
Tilt Adjustment Electric.....	42
Tilt Adjustment Hydraulic.....	44
Tilt Adjustment Manual.....	46
Touch-up Paints - LP.....	50

# General Information

## Using This Manual

This manual is divided into sections. The first section contains General Information. The remaining sections divide the machine into segments (i.e. Frames, Drives, Hydraulics, etc.) which illustrate and list all parts. A Parts Number Index is located at the back of the book.

The Land Pride parts in this manual are specially designed for this machine and should be replaced with Land Pride parts only.

The information in this manual is current at time of printing. Some parts may change to assure top performance.

Right-hand and left-hand as used in this manual are determined by facing the direction the machine will travel while in use.

Below is an example of two facing pages from a parts manual. Familiarize yourself with the type of information contained on these pages.

## Manual Replacement Information

Replacement manuals are available. Refer to our website at [www.landpride.com](http://www.landpride.com) or e-mail us at [lit@landpride.com](mailto:lit@landpride.com) for additional information. Our website continues to provide the most up-to-date manuals available.

## Touch-up Paint

Repaint parts where paint is worn or scratched to prevent rust. Aerosol cans and touch-up bottles with brush applicator are available through your local dealer. Also available are quart and gallon size paints. Add QT or GL to end of the Aerosol P/N.

Land Pride color descriptions and part numbers are listed on the "Land Pride Touch-up Paints" page in the "Decals" section of this book. Color options vary by product.



## General Information

### Hardware Legend

<b>AR</b>	As Required
<b>BLADE</b>	Blade Bolt
<b>C</b>	Cap Screw
<b>CP</b>	Cotter Pin
<b>CPHSSS</b>	Cup Point Hex Socket Set Screw
<b>CPSHSS</b>	Cup Point Square Head Set Screw
<b>CPSQHSS</b>	Cup Point Square Head Set Screw
<b>CRFCHMS3</b>	Cross Recess Flat Countersunk Head Machine Screw
<b>CRPHMS</b>	Cross Recess Pan Head Machine Screw
<b>CRPHTF</b>	Cross Recess Pan Head Thread Forming
<b>CRRHMS</b>	Cross Recess Round Head Machine Screw
<b>CRTHMS</b>	Cross Recess Truss Head Machine Screw
<b>CSNB</b>	Countersunk Square Neck Bolt
<b>FHMS</b>	Flat Head Machine Screw
<b>FTC</b>	Full Thread Cap Screw
<b>H</b>	Hex Nut
<b>HCLN</b>	Hex Center Lock Nut
<b>HFLCS</b>	Hex Flange Lock Cap Screw
<b>HFS</b>	Hex Flange Screw
<b>HFSLN</b>	Hex Flange Serrated Lock Nut
<b>HFSS</b>	Hex Flange Serrated Screw
<b>HHCS</b>	Hex Head Cap Screw or Metric Bolt
<b>HSBHCS</b>	Hex Socket Button Head Cap Screw
<b>HSFCHCS</b>	Hex Socket Flat Countersunk Head Cap Screw
<b>HSHCS</b>	Hex Socket Head Cap Screw
<b>HSSS</b>	Hex Socket Head Screw
<b>HTLN</b>	Hex Top Lock Nut
<b>HWHCS</b>	Hex Washer Head Cap Screw

<b>HWHMS</b>	Hex Washer Head Machine Screw
<b>HXBHCS</b>	Hex Socket Button Head Cap Screw
<b>J</b>	Hex Jam Nut
<b>JIC</b>	37 Degree Tapered Thread
<b>L</b>	Helical Spring Lock Washer
<b>LUG</b>	Lug Bolt
<b>NFC</b>	National Fine Cap Screw
<b>NPSM</b>	National Pipe Straight Mechanical
<b>NPTF</b>	National Pipe Taper Fuel
<b>P</b>	Wide Plain Washer
<b>PHMS</b>	Pan Head Machine Screw
<b>PLOW</b>	Plow Bolt
<b>RHMS</b>	Round Head Machine Screw
<b>RHSNB</b>	Round Head Square Neck Bolt
<b>SCREW LEVELING</b>	Leveling Screw
<b>SCREW THUMB</b>	Thumb Screw
<b>SCREW WELD</b>	Weld Screw
<b>SFCHMS</b>	Slotted Flat Countersunk Head Machine Screw
<b>SFHMS</b>	Slotted Fillister Head Machine Screw
<b>SP</b>	Special
<b>SP SCREW</b>	Special Screw
<b>SOHSS</b>	Square Head Set Screw
<b>SRHMS</b>	Slotted Round Head Machine Screw
<b>SSS</b>	Socket Set Screw
<b>STCS</b>	Self Tapping Cap Screw
<b>STHMS</b>	Slotted Truss Head Machine Screw
<b>WHEEL</b>	Wheel Studs and Hub Long Bolts
<b>WING</b>	Wing Bolt

### Replacement Hardware

The **Hardware Legend** above lists hardware abbreviations used in the parts list. All bolts and nuts are Grade 5 unless otherwise noted. The use of improper grades of hardware can result in personal injury, damage to equipment, or loss of property.

### Colored Replacement Parts

Land Pride offers replacement parts in factory standard colors and also on select models in Green, Orange, Red and Blue. Because of the variety of colors available, special attention must be given to the part number to prevent ordering the wrong replacement part.

A suffix number corresponding to one of the colors below must be added at the end of Land Pride's part number when ordering a replacement part with that color.

**81 . . . . . Green      83 . . . . . Red**  
**82 . . . . . Orange    84 . . . . . Blue**

For example, if you are ordering a replacement part with part number 555-555C and the part you need is red, then add the suffix 83 to the end of the number to make the part number read 555-555C83. Parts ordered without a suffix number will be supplied in factory standard colors.

### Black Replacement Parts

Some parts are factory standard black and some must be special ordered black. If your part is special ordered black, a second part number with the additional suffix number 85 on the end will be available. In this situation you must order that part with the suffix number for it to be black. Parts that are factory standard black will not have the suffix number.

### Part Number Service Coding

Within the parts list some part numbers are coded for revisions and interchangeability. See notations in revision column.

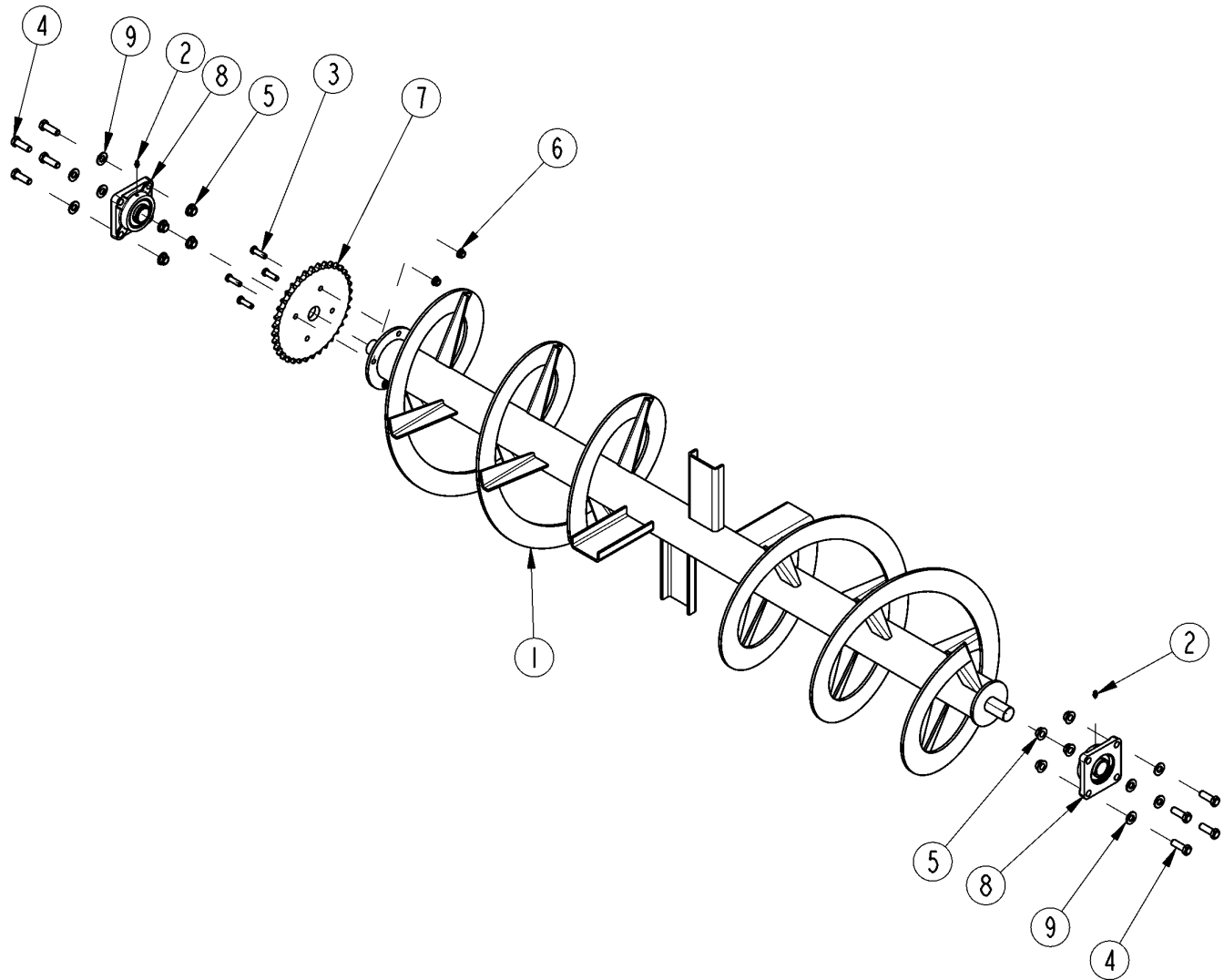
### Serial Numbers

Always use the serial and model number when ordering parts. Refer to the Operator's Manual for serial number plate location.

- (S/N 20001+)                      Includes serial numbers 20001 and above (to the latest number)
- (S/N 10001 to 20000)           Includes serial numbers between and including 10001 and 20000
- (S/N 10000-)                      Includes serial numbers 10000 and below (to the earliest number)

# Auger Components

Applies to SB1574 S/N 881641+



33087

## ***Auger Components***

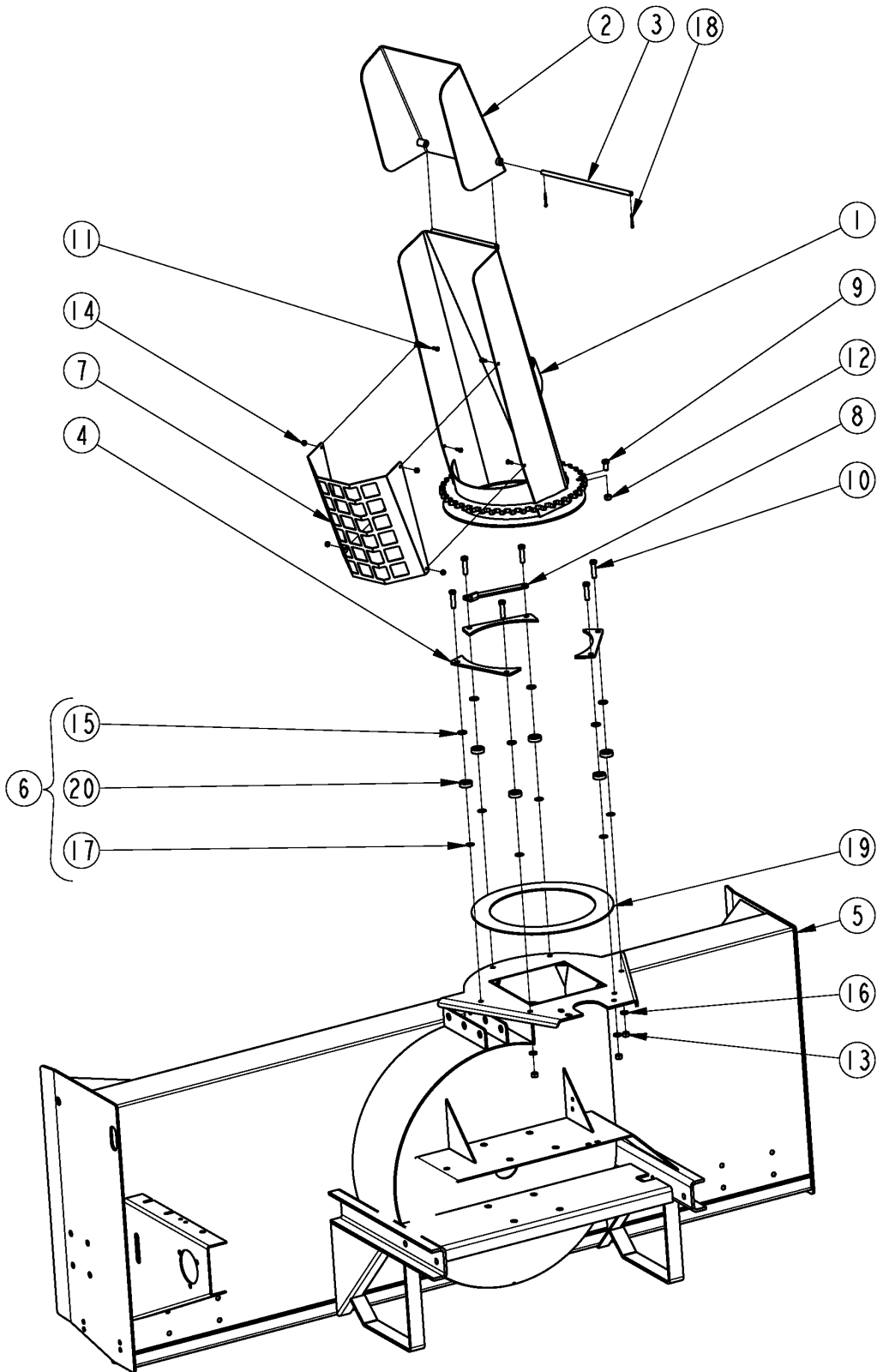
---

### **Applies to SB1574 S/N 881641+**

<b>Ref</b>	<b>Part No.</b>	<b>Part Description</b>	<b>Comments</b>	<b>Revision</b>
	dwg33087	Drawing Image Number		
1.	370-101H	AUGER WELD 1574	(Went to heavier flighting at S/N 906566+)	
2.	800-001C	GREASE ZERK STRAIGHT 1/4-28		
3.	802-079C	HHCS 3/8-16X1 1/4 GR5		
4.	802-091C	HHCS 1/2-13X1 1/2 GR5		
5.	803-169C	NUT HEX FLG LOCK 1/2-13 PLT		
6.	803-209C	NUT FLANGE LOCK 3/8-16 PLT		
7.	808-423C	SPKT 6036X W/4 HOLES		
8.	822-243C	BRG 4 BOLT CAMLOCK 1.25 BORE		
9.	804-016C	WASHER FLAT 1/2 SAE PLT		

# Frame & Chute

Applies to SB1574 S/N 881641+



37068

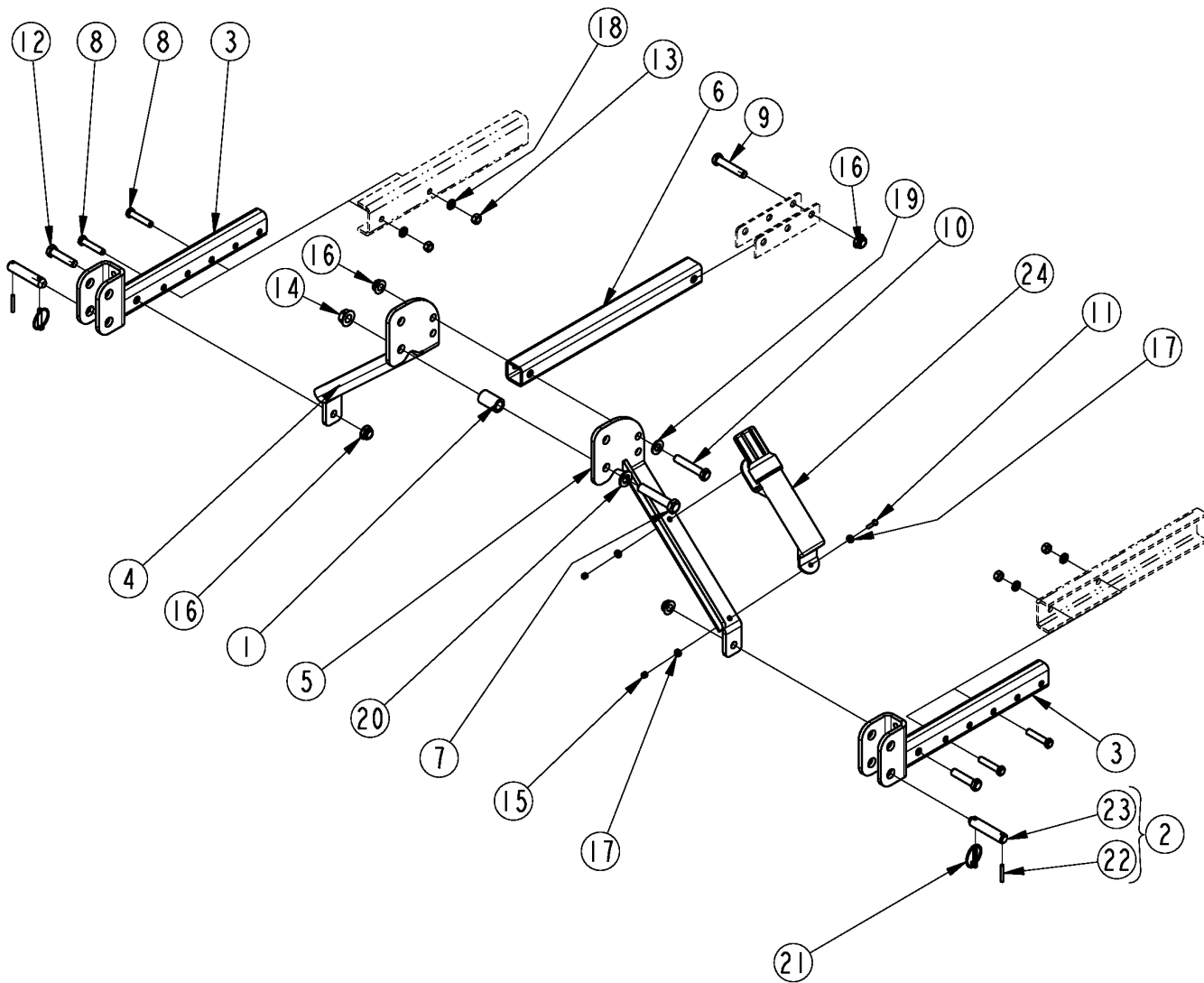


**Frame & Chute****Applies to SB1574 S/N 881641+**

<b>Ref</b>	<b>Part No.</b>	<b>Part Description</b>	<b>Comments</b>	<b>Revision</b>
	dwg37068	Drawing Image Number		
1.	370-071H	CHUTE WELD 15 SERIES		
2.	370-072H	SPOUT WELD 15 SERIES		
3.	370-142D	TILT PIVOT PIN 15 SERIES		
4.	370-168D	BEARING STRAP		
5.	370-416H	DECK WELDMENT 1574		
5.	370-416H81	DECK WELDMENT 1574 GREEN		
5.	370-416H82	DECK WELDMENT 1574 ORANGE		
5.	370-416H83	DECK WELDMENT 1574 RED		
6.	370-454S	CHUTE BEARING BUNDLE		
7.	370-724D	FRONT CHUTE GUARD 15		
8.	370-762D	ROTATION STOP SB74/84		
9.	802-014C	HHCS 3/8-16X3/4 GR5		
10.	802-022C	HHCS 3/8-16X1 1/2 GR5		
11.	802-163C	HHCS #10-24X1/2 GR5		
12.	803-013C	NUT LOCK 3/8-16 PLT		
13.	803-014C	NUT HEX 3/8-16 PLT		
14.	803-268C	NUT HEX NYLOCK 10-24 PLT		
15.	804-012C	WASHER FLAT 3/8 SAE PLT		
16.	804-013C	WASHER LOCK SPRING 3/8 PLT		
17.	804-239C	WASHER MACH .379IDX.75ODX.015		
18.	805-363C	PIN COTTER 1/8 X 1		
19.	817-871C	CHUTE BEARING UHMW 10"		
20.	822-253C	BRG, .393 ID X 1.181 OD X .354		

# Hitch Components

Applies to SB1574 S/N 881641+



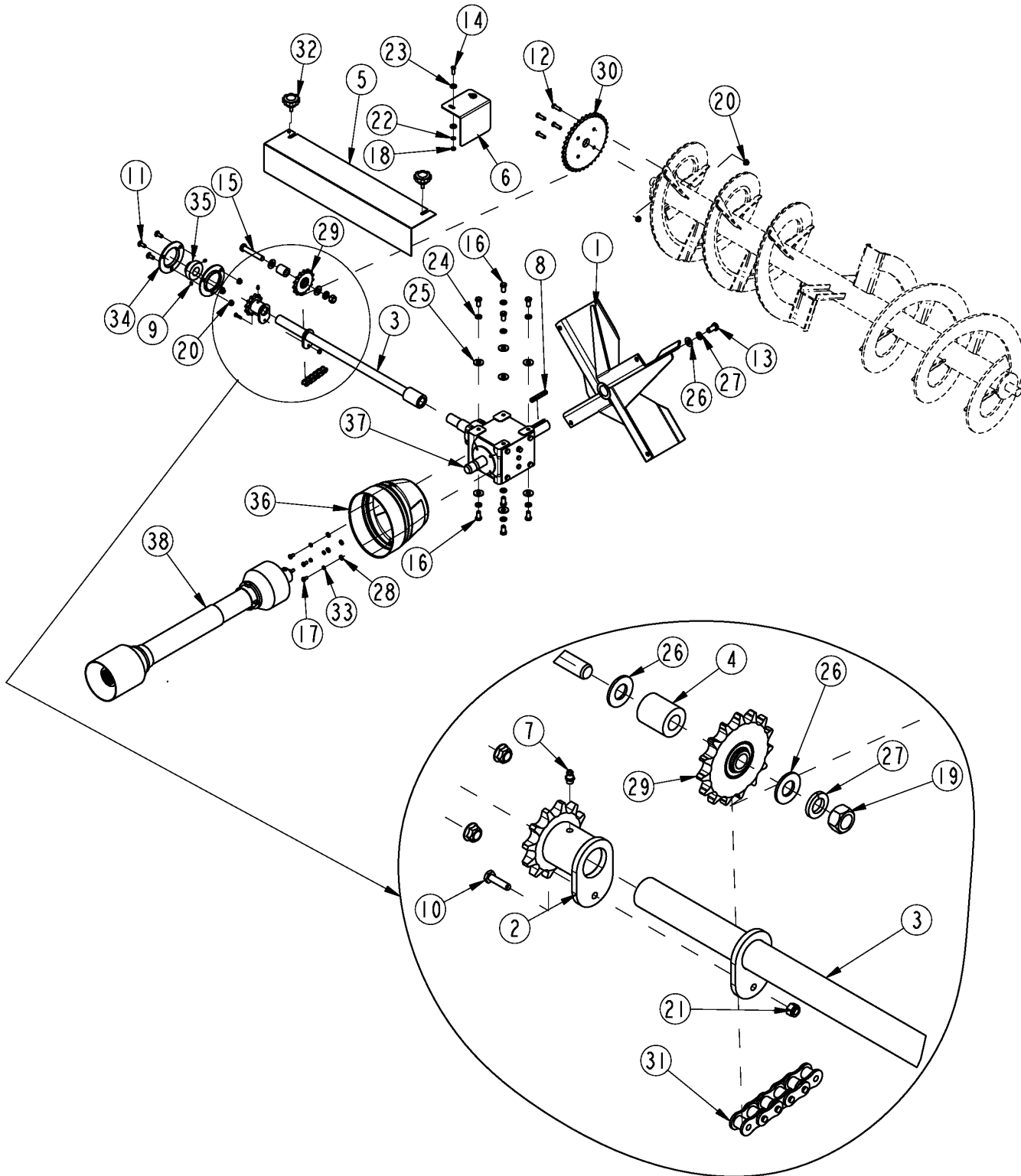
37069

**Hitch Components****Applies to SB1574 S/N 881641+**

Ref	Part No.	Part Description	Comments	Revision
	dwg37069	Drawing Image Number		
1.	308-400D	SPACER 1 1/4OD X 13/16ID X 2LG		
2.	310-020S	LOWER HITCH PIN		
3.	370-401H	ARM 3 PT TELE		
4.	370-463H	UPPR HTCH BAR RH WMT 10 SERIES	S/N 881641+	
4.	370-165D	RPBY 370-436H	S/N 881640-	
5.	370-464H	UPPR HTCH BAR LH WMT 10 SERIES	S/N 881641+	
5.	370-166D	RPBY 370-464H	S/N 881640-	
6.	370-707D	FRAME TUBE UPPER 15		
7.	802-068C	HHCS 3/4-10X4 GR5		
8.	802-130C	HHCS 1/2-13X2 1/2 GR5		
9.	802-160C	HHCS 5/8-11X3 1/4 GR5		
10.	802-162C	HHCS 5/8-11X3 1/2 GR5		
11.	802-224C	HHCS 1/4-20X1 1/4 GR5		
12.	802-281C	HHCS 5/8-11X2 3/4 GR5		
13.	803-020C	NUT HEX 1/2-13 PLT		
14.	803-181C	NUT HEX FLANGE LOCK 3/4-10 PLT		
15.	803-255C	NUT HEX NYLOCK 1/4-20		
16.	803-263C	NUT HEX FLANGE LOCK 5/8-11 PLT		
17.	804-007C	WASHER FLAT 1/4 SAE PLT		
18.	804-015C	WASHER LOCK SPRING 1/2 PLT		
19.	804-021C	WASHER FLAT 5/8 SAE PLT		
20.	804-025C	WASHER FLAT 3/4 SAE PLT		
21.	805-015C	PIN LINCH 5/16 X 1 3/4		
22.	805-041C	PIN ROLL 1/4X1 3/4		
23.	805-198C	PIN CLVS HDLS .88X3.08 USBL		
24.	816-504C	MANUAL STORAGE CONTAINER		

# Auger & Impeller Drive

Applies to SB1574 S/N 881641+



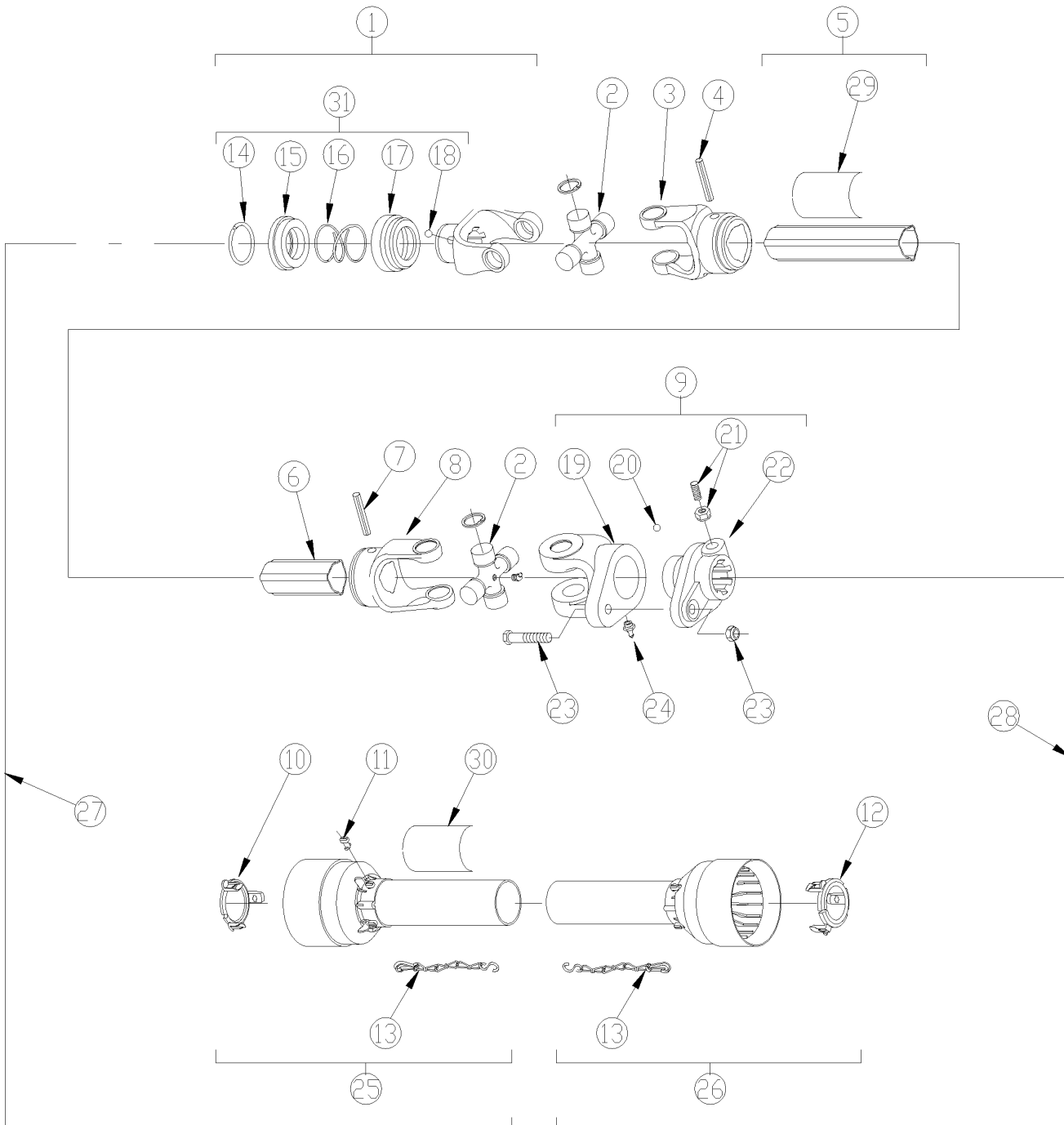
33086

**Auger & Impeller Drive****Applies to SB1574 S/N 881641+**

<b>Ref</b>	<b>Part No.</b>	<b>Part Description</b>	<b>Comments</b>	<b>Revision</b>
	dwg33086	Drawing Image Number		
1.	370-039H	IMPELLER 24X8		
2.	370-059H	SHEAR BOLT WELDMENT		
3.	370-061H	REAR SHAFT 1574		
4.	370-683D	IDLER BUSHING 1.43L		
4.	370-147D	IDLER BUSHING		
5.	370-153D	REAR SHAFT GUARD 1574		
6.	370-644D	IDLER GUARD		
7.	800-080C	GREASE ZERK 1/4-28 THD FORMING		
8.	800-402C	KEY 3/8 X 3/8 X 3		
9.	801-027C	SCREW SET 5/16-24 SKT KP X 5/16		
10.	802-005C	HHCS 1/4-20X1 GR5		
11.	802-015C	RHSNB 3/8-16X1 GR5		
12.	802-079C	HHCS 3/8-16X1 1/4 GR5		
13.	802-102C	HHCS 5/8-11X1 1/4NYL GR5		
14.	802-159C	HHCS 5/16-18X1 GR5		
15.	802-153C	HHCS 5/8-11X3 3/4 GR5		
15.	802-162C	HHCS 5/8-11X3 1/2 GR5		
16.	802-258C	HHCS 1/2-13X1 GR5		
17.	802-459C	HHCS M8X1.25X16 GR8.8		
18.	803-008C	NUT HEX 5/16-18 PLT		
19.	803-021C	NUT HEX 5/8-11 PLT		
20.	803-209C	NUT FLANGE LOCK 3/8-16 PLT		
21.	803-255C	NUT HEX NYLOCK 1/4-20		
22.	804-009C	WASHER LOCK SPRING 5/16 PLT		
23.	804-010C	WASHER FLAT 5/16 USS PLT		
24.	804-015C	WASHER LOCK SPRING 1/2 PLT		
25.	804-017C	WASHER FLAT 1/2 USS PLT		
26.	804-021C	WASHER FLAT 5/8 SAE PLT		
27.	804-022C	WASHER LOCK SPRING 5/8 PLT		
28.	804-161C	WASHER FLAT M8 PLT		
29.	808-400C	60C15 IDLER SPROCKET W/BEARING		
30.	808-423C	SPKT 6036X W/4 HOLES		
31.	809-301C	CHAIN RL #60 - 84 PITCH W/CON		
32.	817-358C	KNOB 3/8-16 MALE THD 2 3/8OD		
33.	804-157C	WASHER SPRING LOCK M8 PLT		
34.	822-218C	FLANGETTE 72MM 3-BOLT PLT		
35.	822-250C	BRG, 1.25 ID X 2.8346 X 1.26		
36.	826-240C	SMALL SHAFT CONE W ACCESS DOOR		
37.	826-654C	GBOX 1:1 CCW		
38.	826-687C	DRIVELINE 540 1290 SHEARBOLT		

# Driveline (826-687C) Comer

Applies to SB1574 S/N 881641+



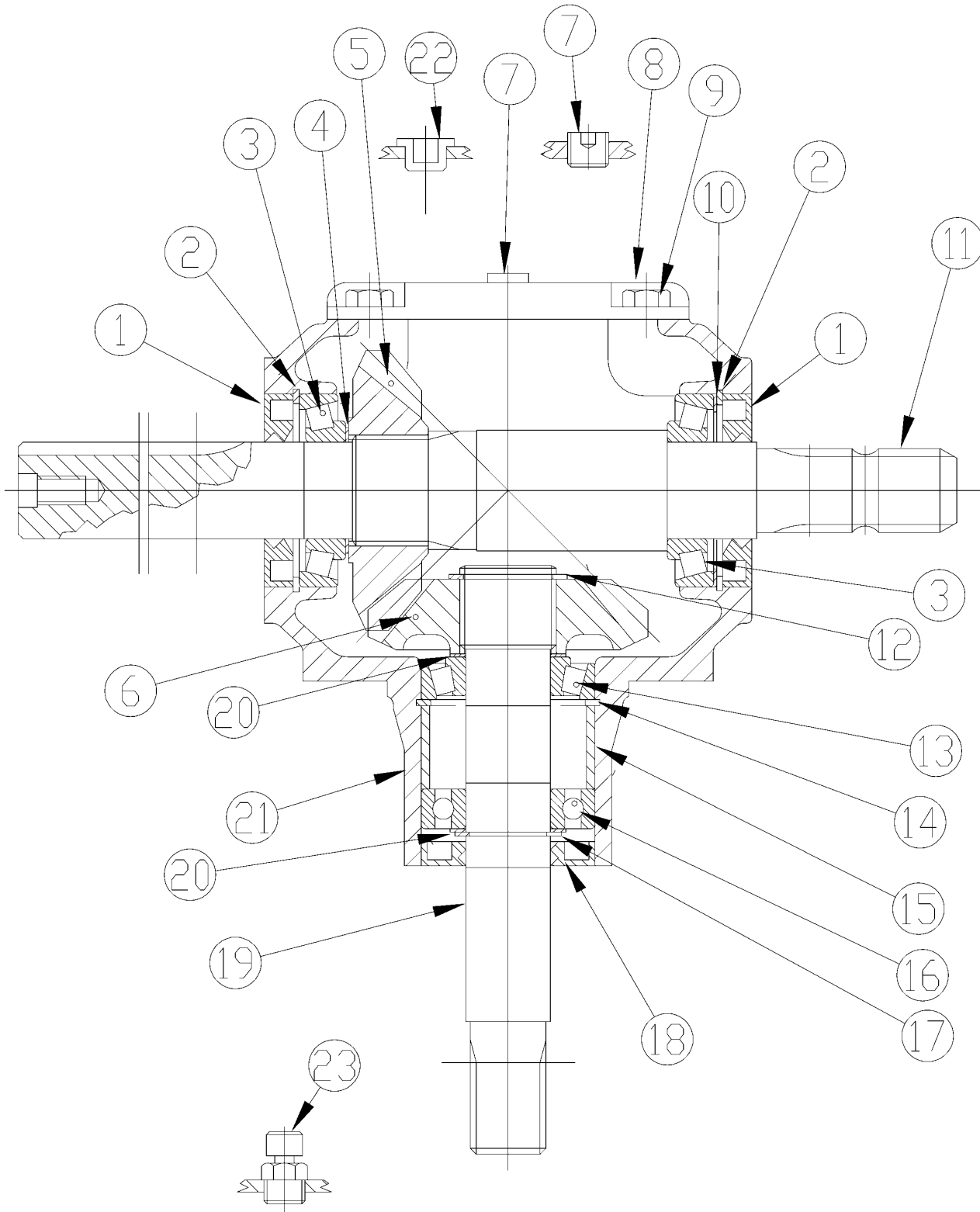
33117

**Driveline (826-687C) Comer****Applies to SB1574 S/N 881641+**

Ref	Part No.	Part Description	Comments	Revision
	dwg33117	Drawing Image Number		
	826-687C	DRIVELINE 540 1290 SHEARBOLT *		
1.	141.024.430.1	CO COMPLETE COLLAR YOKE C12		
2.	180.014.130	CO CROSS JOURNAL SET		
3.	151.014.006.1	CO OUTER YOKE		
4.	190.000.014	CO ROLL PIN FOR OUTER TUBE		
5.	152.140.2090710	CO OUTER TUBE		
6.	153.140.109	CO INNER TUBE		
7.	190.000.012	CO ROLL PIN FOR INNER TUBE		
8.	151.014.007.1	CO INNER YOKE		
9.	143.240.011.1	CO COMPLETE SHEAR BOLT (55XM8)		
10.	180.014.233	CO GRD COLLER OUTER TUBE		
11.	180.014.240	COMER BOLT		
12.	180.014.232	CO GRD COLLER INNER		
13.	180.016.636	CO SAFETY CHAINS	S/N 946471-	
14.	N/A	COMER OUTER CIRCLIP		
15.	N/A	COMER SLIDING SLEEVE COLLER		
16.	N/A	COMER SPRING		
17.	N/A	COMER FIXED SLEEVE		
18.	N/A	COMER BALL 1/2"		
19.	N/A	CO YOKE FO HUB B32 (55XM8)		
20.	N/A	CO BALL DIA 1/4"		
21.	165.000.525	CO BALL & NUT M12X70 C1.8.8		
22.	N/A	CO HUB B32 (55XM8)		
23.	165.000.571	CO BOLT & NUT M8X50 C1.6.6		
24.	190.000.020	COMER GREASE FITTING		
25.	142.241.1687421	CO HALF FEMALE GUARD		
26.	142.241.2417421	CO HALF MALE SHIELD		
27.	123.340.256.11	CO HALF FEMALE SHFT W/GUARDING		
28.	123.440.704.11	CO HALF MALE SHAFT W/GUARDING		
29.	190.000.098	COMER DANGER LABEL OUTER TUBE		
30.	190.000.099	COMER DANGER LABEL GUARD OUTER		
31.	165.000.628	COMER COLLOR KIT 1-3/8 YOKE		

# Gear Box (826-654C)

Applies to SB1574 S/N 881641+



33119

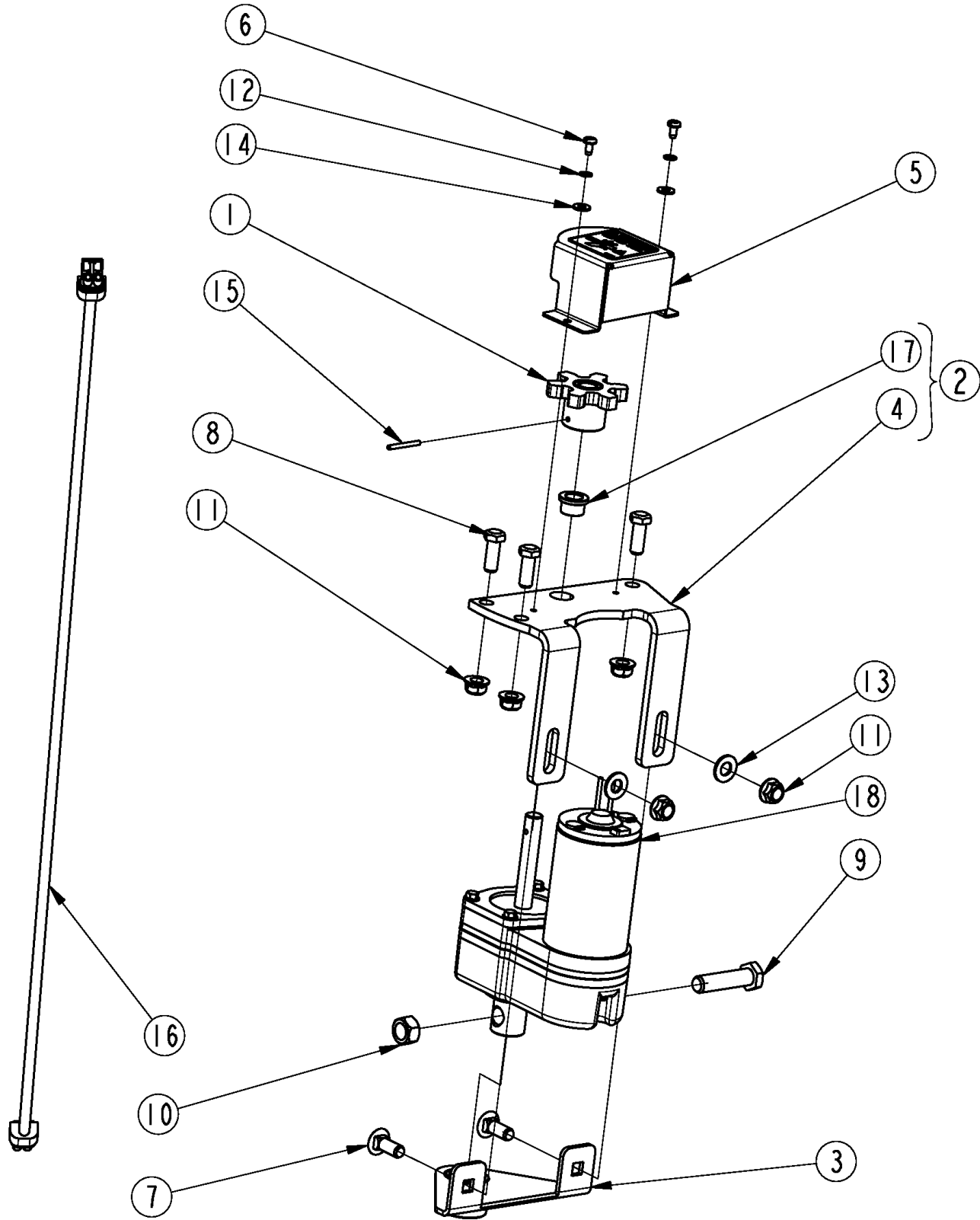


**Gear Box (826-654C)****Applies to SB1574 S/N 881641+**

<b>Ref</b>	<b>Part No.</b>	<b>Part Description</b>	<b>Comments</b>	<b>Revision</b>
	dwg33119	Drawing Image Number		
	826-654C	GBOX 1:1 CCW *		
1.	8.7.1.00748	CO DOUBLE LIP SEAL 40X80X12		
2.	8.5.2.00030	CO SNAP RING 80 UNI 7437		
3.	822-191C	BRG ROLLER 1.57IDX3.14OD SET		
4.	A244.501	CO SHIM 40.3 X 51.5 826-067C		
5.	0.132.5002.00	GEAR Z18 M6.15		
6.	0.267.5000.00	GEAR Z18 M6.15		
7.	8.6.6.00201	CO PLUG 3/8 GAS (SOLID PLUG)		
8.	0.267.1500.00	COVER		
9.	8.1.1.00209	BOLT M10X16 HHB 8.8		
10.	A110.500	COMER SHIM 79.7 RTA35		
11.	0.267.4221.00	THROUGH SHAFT		
12.	8.5.1.00029	CO SNAP RING 40 UNI 7435		
13.	822-167C	BRG ROLLER 1.37IDX2.83OD SET		
14.	8.5.2.00131	CO SNAP RING INT 72 UN17437		
15.	0.267.7100.00	CO SPACER		
16.	822-166C	BRG BALL 1.37IDX2.83OD 6207		
17.	8.5.1.00005	CO SNAP RING EXT 35 UN17435		
18.	8.7.1.00152	OIL SEAL, 35 X 72 X 12/10		
19.	0.267.2000.00	SHAFT 16/32" Z19		
20.	A.259.500	CO ADJUST SPACER KIT, 35.3 X48		
21.	N/A	CASING		
22.	8.6.0.01684	SUB PLUG		
23.	826-503C	COMER VENT 8.6.7.00161		

# Chute Adjustment Electric

Applies to SB1574 S/N 881641+



37060

**Chute Adjustment Electric**

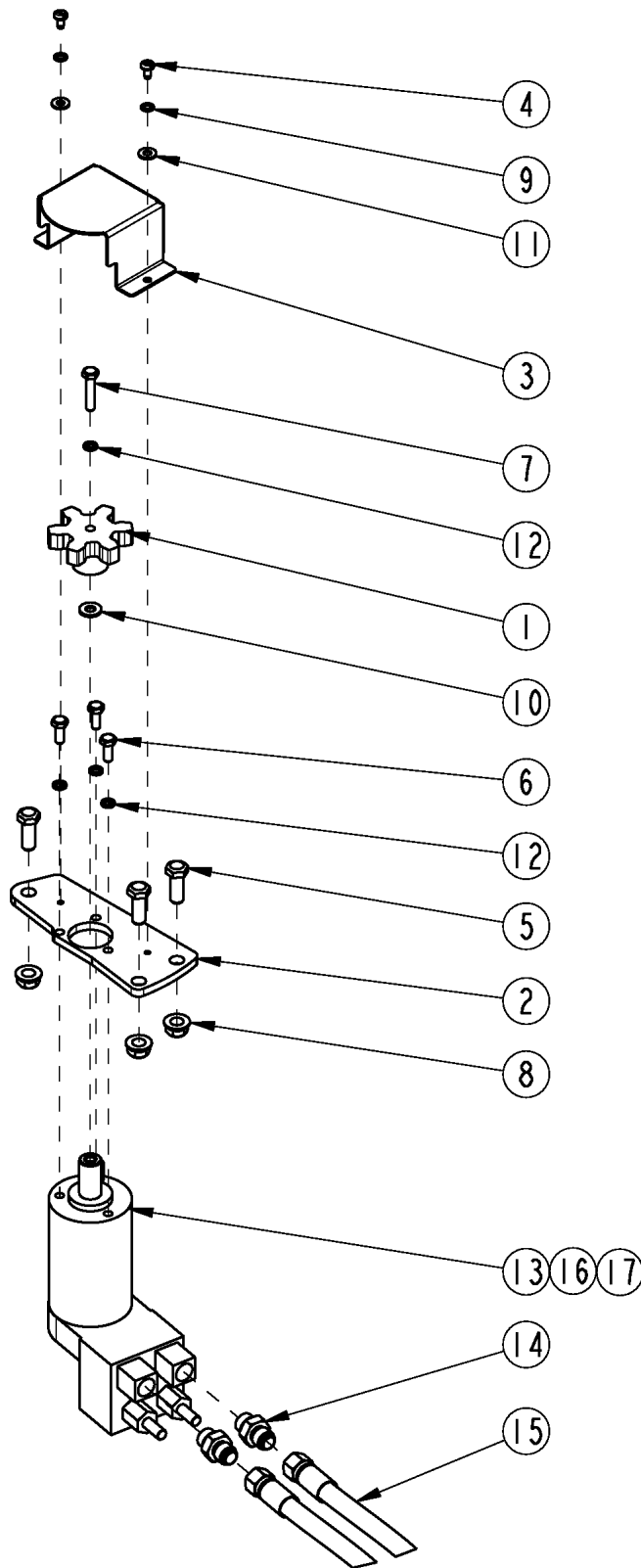
---

**Applies to SB1574 S/N 881641+**

<b>Ref</b>	<b>Part No.</b>	<b>Part Description</b>	<b>Comments</b>	<b>Revision</b>
	dwg37060	Drawing Image Number		
	370-397A	CHUTE ROTATION ELECTRIC		
	*			
1.	370-393H	ROTATION GEAR		
2.	370-398K	SHAFT STABILIZER		
3.	370-399H	MOTOR MOUNT ELECTRIC		
4.	370-700D	ELECTRIC MOTOR MOUNT		
5.	370-705D	GEAR GUARD		
6.	801-171C	SCREW PAN HD 10-24X3/8 TYPE F		
7.	802-015C	RHSNB 3/8-16X1 GR5		
8.	802-017C	HHCS 3/8-16X1 GR5		
9.	802-128C	HHCS 1/2-13X2 GR5		
10.	803-019C	NUT LOCK 1/2-13 PLT		
11.	803-209C	NUT FLANGE LOCK 3/8-16 PLT		
12.	804-004C	WASHER INTERNAL STAR #10 PLT		
13.	804-012C	WASHER FLAT 3/8 SAE PLT		
14.	804-046C	WASHER FLAT #10 SAE PLT		
15.	805-136C	PIN ROLL 1/8 X 1 1/4 LG. PLT		
16.	823-379C	HARNESS ELEC. ROTATION		
17.	827-115C	BUSH .50IDX.81ODX.50 HD OILITE		
18.	833-543C	ROTATOR ELEC.		

# Chute Adjustment Hydraulic

Applies to SB1574 S/N 881641+



37062

## **Chute Adjustment Hydraulic**

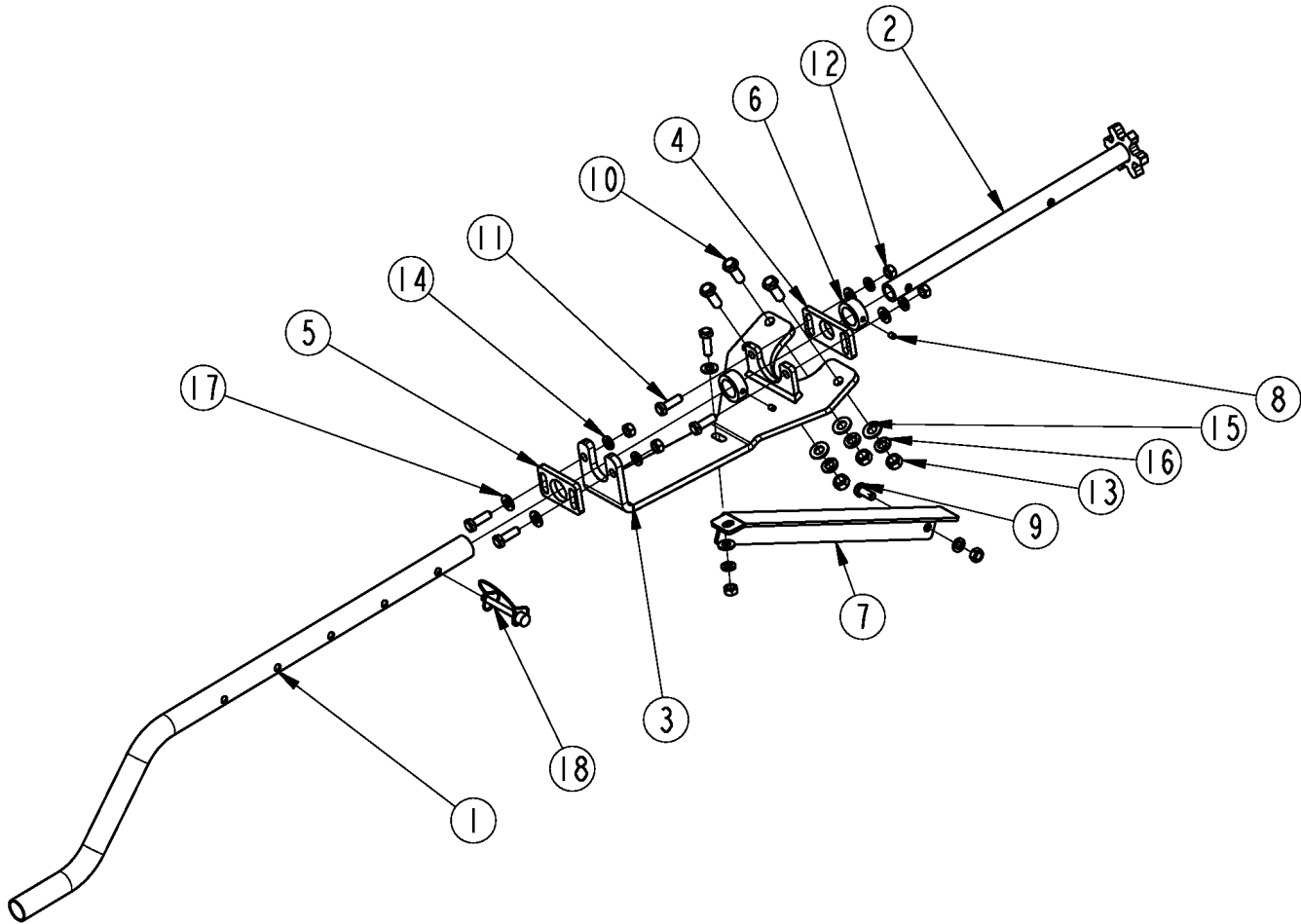
---

**Applies to SB1574 S/N 881641+**

<b>Ref</b>	<b>Part No.</b>	<b>Part Description</b>	<b>Comments</b>	<b>Revision</b>
	dwg37062	Drawing Image Number		
	370-396A	CHUTE ROTATION HYD *		
1.	370-392H	ROTATION GEAR		
2.	370-699D	MOTOR MOUNT		
3.	370-705D	GEAR GUARD		
4.	801-171C	SCREW PAN HD 10-24X3/8 TYPE F		
5.	802-017C	HHCS 3/8-16X1 GR5		
6.	802-741C	HHCS M6X1X15 GR8.8 PLT		
7.	802-954C	HHCS M6X1X30 GR8.8		
8.	803-209C	NUT FLANGE LOCK 3/8-16 PLT		
9.	804-004C	WASHER INTERNAL STAR #10 PLT		
10.	804-007C	WASHER FLAT 1/4 SAE PLT		
11.	804-046C	WASHER FLAT #10 SAE PLT		
12.	804-226C	WASHER LOCK M6 PLT		
13.	810-751C	HYD MOTOR W/CROSS RELIEF		
14.	811-170C	AD 9/16MORB 9/16MJIC		
15.	841-773C	HH3/8R2 81.84 .56FJIC.75MORB		
16.	ZHSK-EBMM	SEAL KIT FOR EBMM MOTORS		
17.	SK-SCR0622000A	SEAL KIT FOR CUSHION JCK06-22-00		

# Chute Adjustment Manual (370-457A)

Applies to SB1574 S/N 881641+



37065

**Chute Adjustment Manual (370-457A)**

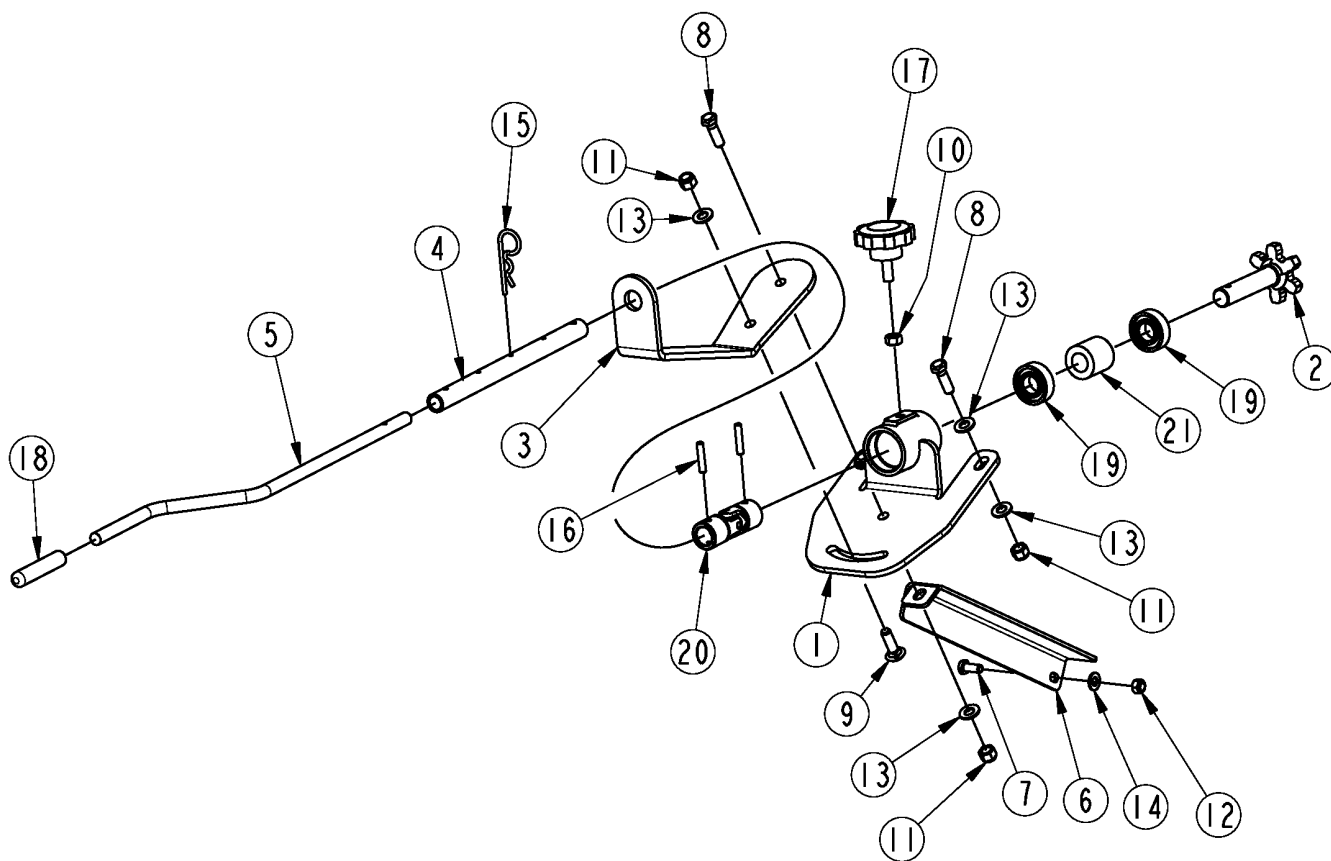
---

**Applies to SB1574 S/N 881641+**

<b>Ref</b>	<b>Part No.</b>	<b>Part Description</b>	<b>Comments</b>	<b>Revision</b>
	Dwg 37065 370-457A	Drawing Image Number ROTATION BUNDLE MANUAL *	S/N 1584509-	
1.	370-208D	ROTATION HANDLE		
2.	370-455H	SPROCKET SHAFT		
3.	370-456H	ROTATION MOUNT MANUAL		
4.	370-755D	SHAFT INNER HANGER		
5.	370-757D	SHAFT ADJ OUTER		
6.	370-758D	SHAFT STOP COLLAR		
7.	370-763D	ROTATION BRACE		
8.	801-019C	SCREW SET SH 1/4-20 X 1/4 LG.		
9.	802-007C	HHCS 5/16-18X3/4 GR5		
10.	802-017C	HHCS 3/8-16X1 GR5		
11.	802-159C	HHCS 5/16-18X1 GR5		
12.	803-008C	NUT HEX 5/16-18 PLT		
13.	803-014C	NUT HEX 3/8-16 PLT		
14.	804-009C	WASHER LOCK SPRING 5/16 PLT		
15.	804-012C	WASHER FLAT 3/8 SAE PLT		
16.	804-013C	WASHER LOCK SPRING 3/8 PLT		
17.	804-036C	WASHER FLAT 5/16 SAE PLT		
18.	805-065C	PIN WIRE RETAINING 1/4 X 1 3/4		

# Chute Adjustment Manual (370-577A)

Applies to SB1574 S/N 881641+



74257

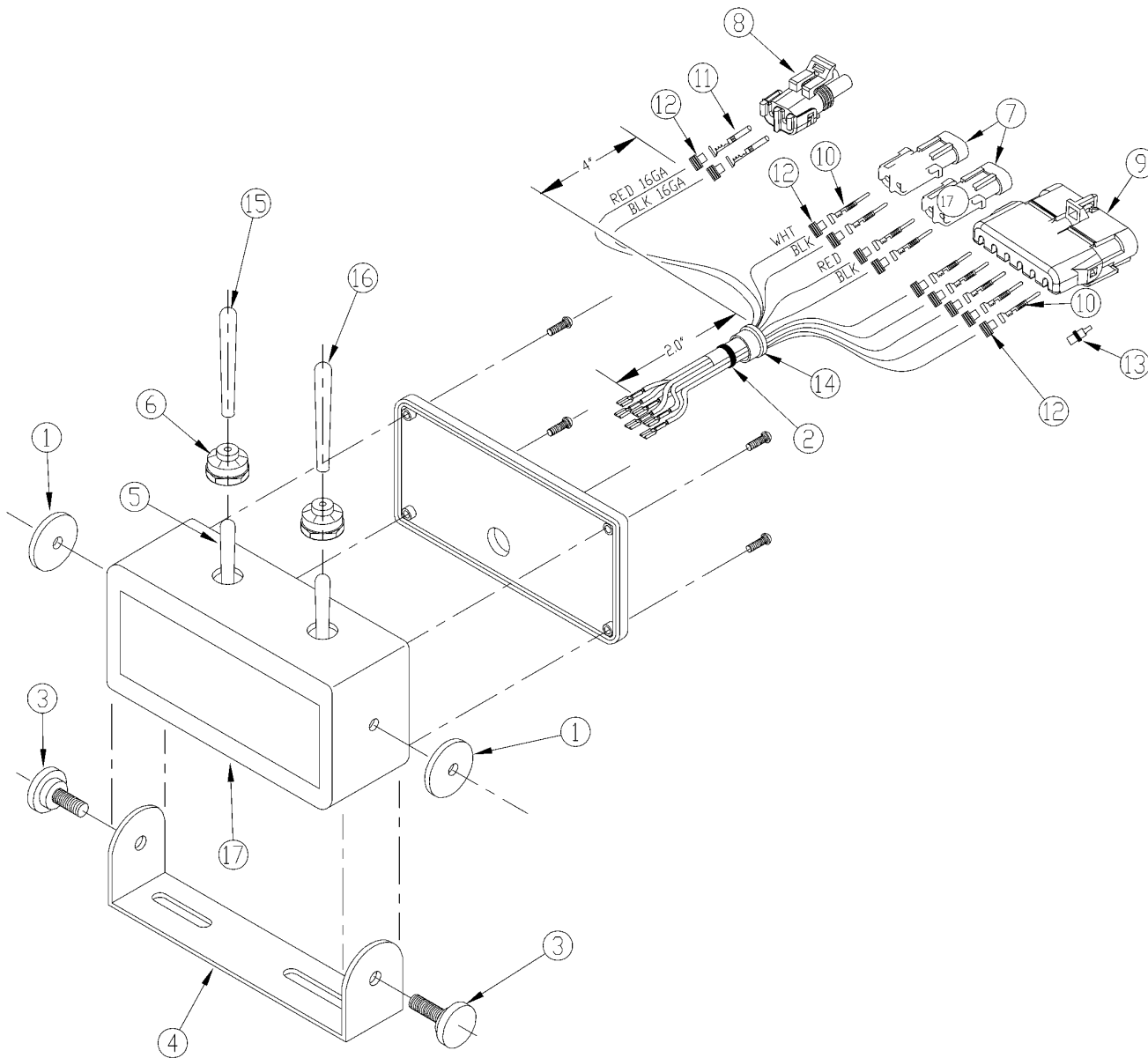


**Chute Adjustment Manual (370-577A)****Applies to SB1574 S/N 881641+**

<b>Ref</b>	<b>Part No.</b>	<b>Part Description</b>	<b>Comments</b>	<b>Revision</b>
	Dwg 74257 370-577A	Image No. MANUAL ROTATION BUNDLE SB1051 *	S/N 1584510+	
1.	370-574H	ADJUSTER BASE		
2.	370-576H	SPROCKET WLDMNT		
3.	370-920D	MANUAL ADJUSTING PIVOT ARM		
4.	370-921D	OUTER HANDLE TUBE		
5.	370-922D	ROTATION HANDLE		
6.	370-923D	MANUAL ROTATION SUPPORT		
7.	802-007C	HHCS 5/16-18X3/4 GR5		
8.	802-079C	HHCS 3/8-16X1 1/4 GR5		
9.	802-155C	RHSNB 3/8-16X1 1/4 GR5		
10.	803-014C	NUT HEX 3/8-16 PLT		
11.	803-078C	NUT LOCK 3/8-16 NYLON INSERT		
12.	803-084C	NUT HEX NYLOCK 5/16-18 PLT		
13.	804-012C	WASHER FLAT 3/8 SAE PLT		
14.	804-036C	WASHER FLAT 5/16 SAE PLT		
15.	805-032C	PIN HAIR COTTER .148 WIRE		
16.	805-208C	PIN, ROLL 1/4 X 1 1/4 LONG		
17.	817-358C	KNOB 3/8-16 MALE THD 2 3/8OD		
18.	817-931C	CAP VINYL .5 ID X 3		
19.	822-300C	BRG .75IDX1.625X.50 SEALED		
20.	826-847C	3/4 UNIVERSAL JOINT		
21.	837-399C	TENSION BUSHING		

# Control Box (823-377C)

Applies to SB1574 S/N 881641+



33091

**Control Box (823-377C)**

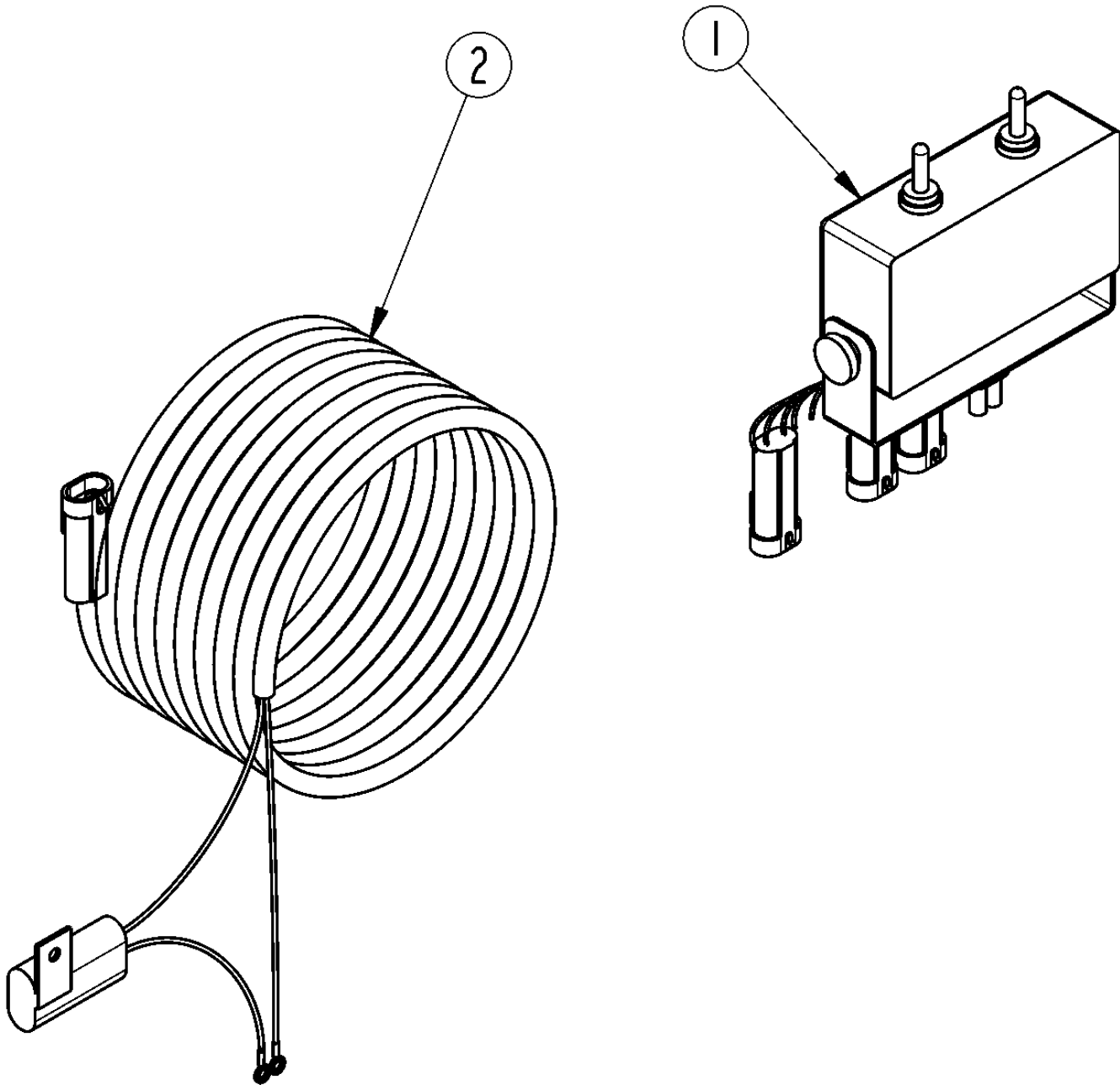
---

**Applies to SB1574 S/N 881641+**

<b>Ref</b>	<b>Part No.</b>	<b>Part Description</b>	<b>Comments</b>	<b>Revision</b>
	dwg33091 823-377C	Drawing Image Number CONTROL BOX SNOW BLOWER *		
1.	213-005	FASSE WSHR RBR1ODX1/4IDX1/16TK		
2.	800-303C	CABLE TIE 2 DIA MIN - BLK		
3.	219-007	FASSE SCR THUMB BLK 1/4-20X1/2		
4.	219-009	FASSE BRKT ALM 4.70 #1591C		
5.	250-007	FASSE SW TOG DPDT 3P MOM SHORT		
6.	250-023	FASSE SW TOG BOOT OPN BLK		
7.	255-092	FASSE CNTR WP 2 PIN SHROUD		
8.	255-093	WEATHERPACK CTR 2 PIN SHROUD		
9.	255-098	CNTR WP 6 PIN SHROUD		
10.	255-102	WEATHERPACK CTR MALE TRM 14/16		
11.	255-103	WEATHERPACK CNTR F TRM 14/16		
12.	255-104	WEATHERPACK CNTR CABLE SEAL GR		
13.	255-186	CNTR WP CAVITY PLUG		
14.	259-001	FASSE GROMMET .5000D SNAP		
15.	259-004	FASSE SW TOG GRP VNYL WHT .187		
16.	259-005	FASSE SW TOG GRP VNYL RED .187		
17.	304-345	ECL 1591CBK/6060A-2X1/2SWSXTSX		

# Electric Switch Box Harness

Applies to SB1574 S/N 881641+



33090

***Electric Switch Box Harness***

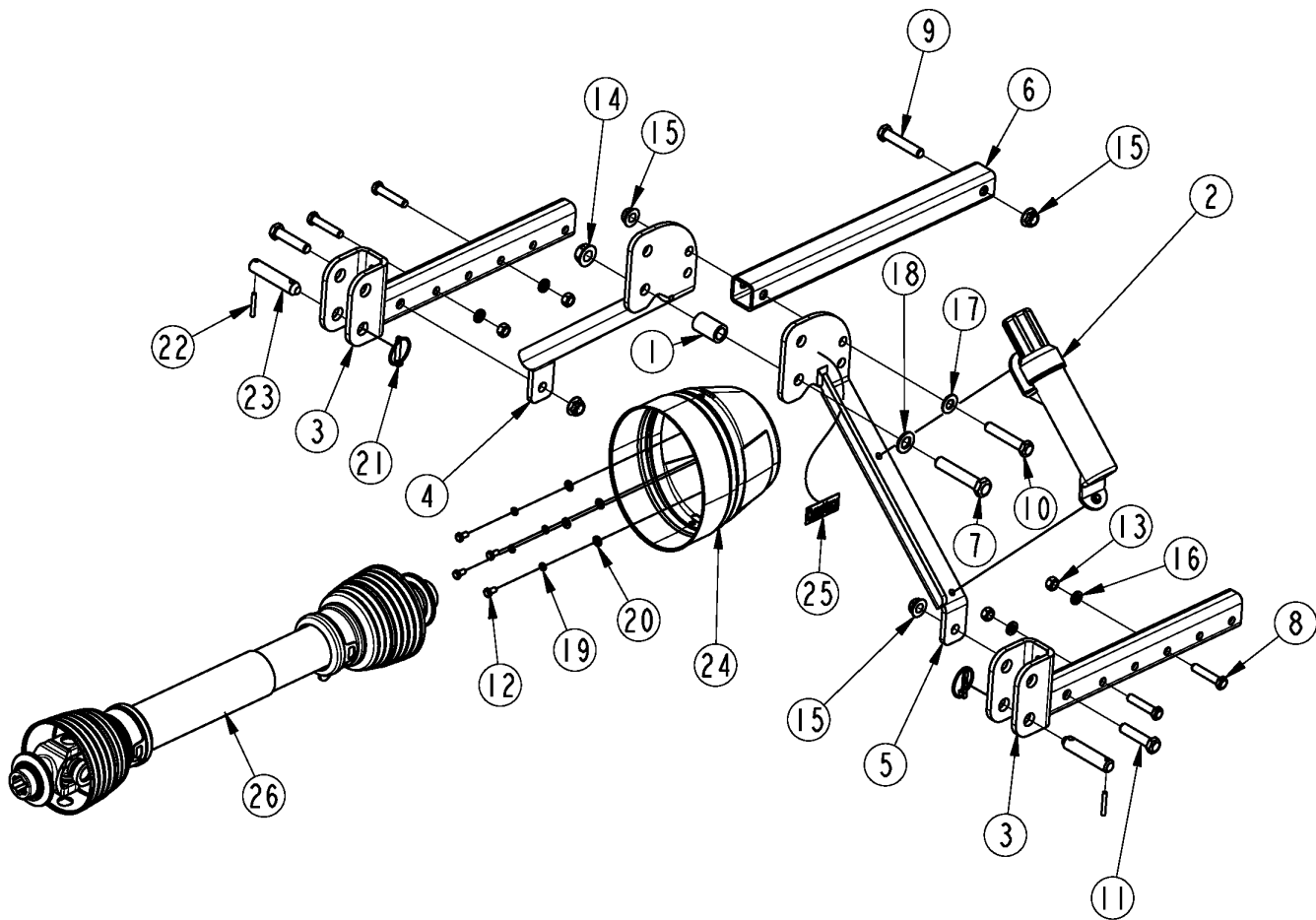
---

**Applies to SB1574 S/N 881641+**

<b>Ref</b>	<b>Part No.</b>	<b>Part Description</b>	<b>Comments</b>	<b>Revision</b>
	dwg33090	Drawing Image Number		
	370-118A	HARNESS SNOW BLOWER ELECTRIC *		
1.	823-377C	CONTROL BOX SNOW BLOWER		
2.	823-386C	HARNESS, POWER		

# Hitch & Driveline Bundle

Applies to SB1574 S/N 881641+



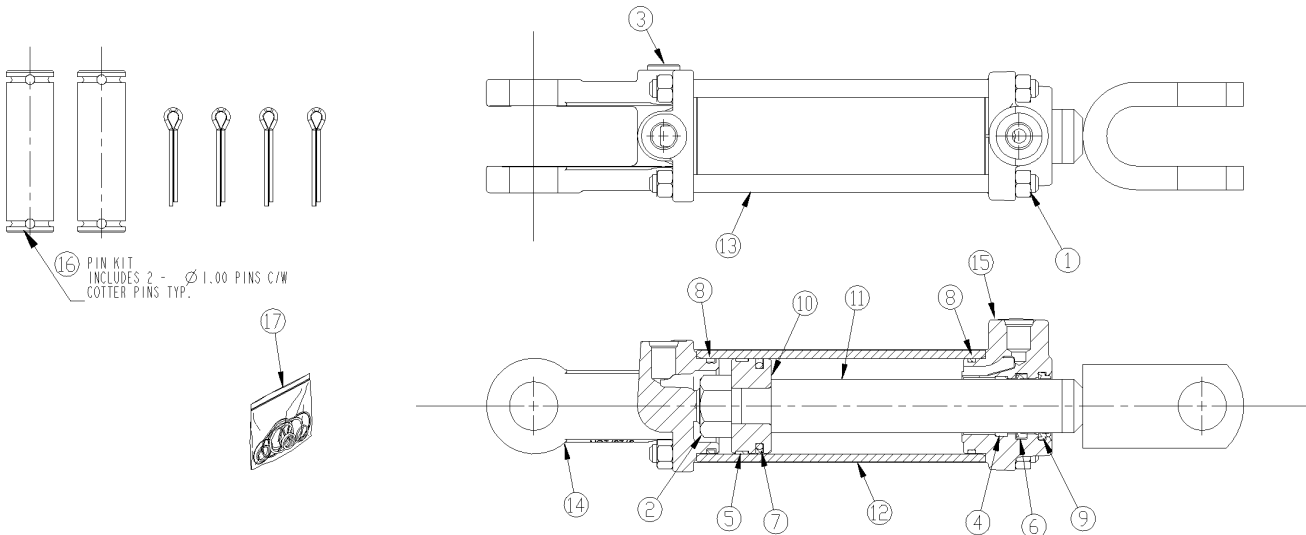
73348

**Hitch & Driveline Bundle****Applies to SB1574 S/N 881641+**

Ref	Part No.	Part Description	Comments	Revision
	Dwg 73348 370-585A	Image No. DRVLN AND HITCH *		
1.	308-400D	SPACER 1 1/4OD X 13/16ID X 2LG		
2.	326-095S	MANUAL CONTAINER KIT, 1 1/4		
3.	370-401H	ARM 3 PT TELE		
4.	370-463H	UPPR HTCH BAR RH WMT 10 SERIES		
5.	370-464H	UPPR HTCH BAR LH WMT 10 SERIES		
6.	370-707D	FRAME TUBE UPPER 15		
7.	802-068C	HHCS 3/4-10X4 GR5		
8.	802-130C	HHCS 1/2-13X2 1/2 GR5		
9.	802-160C	HHCS 5/8-11X3 1/4 GR5		
10.	802-162C	HHCS 5/8-11X3 1/2 GR5		
11.	802-281C	HHCS 5/8-11X2 3/4 GR5		
12.	802-459C	HHCS M8X1.25X16 GR8.8		
13.	803-020C	NUT HEX 1/2-13 PLT		
14.	803-181C	NUT HEX FLANGE LOCK 3/4-10 PLT		
15.	803-263C	NUT HEX FLANGE LOCK 5/8-11 PLT		
16.	804-015C	WASHER LOCK SPRING 1/2 PLT		
17.	804-021C	WASHER FLAT 5/8 SAE PLT		
18.	804-025C	WASHER FLAT 3/4 SAE PLT		
19.	804-157C	WASHER SPRING LOCK M8 PLT		
20.	804-161C	WASHER FLAT M8 PLT		
21.	805-015C	PIN LINCH 5/16 X 1 3/4		
22.	805-041C	PIN ROLL 1/4X1 3/4		
23.	805-198C	PIN CLVS HDLS .88X3.08 USBL		
24.	826-240C	SMALL SHAFT CONE W ACCESS DOOR		
25.	838-517C	DECAL QUICK HITCH SYSTEM		
26.	826-687C	DRVLN C3 28 1.38-6 QD SHRBOLT		

# Hydraulic Cylinder Double Acting (810-125C) Lion

Applies to SB1574 S/N 881641+



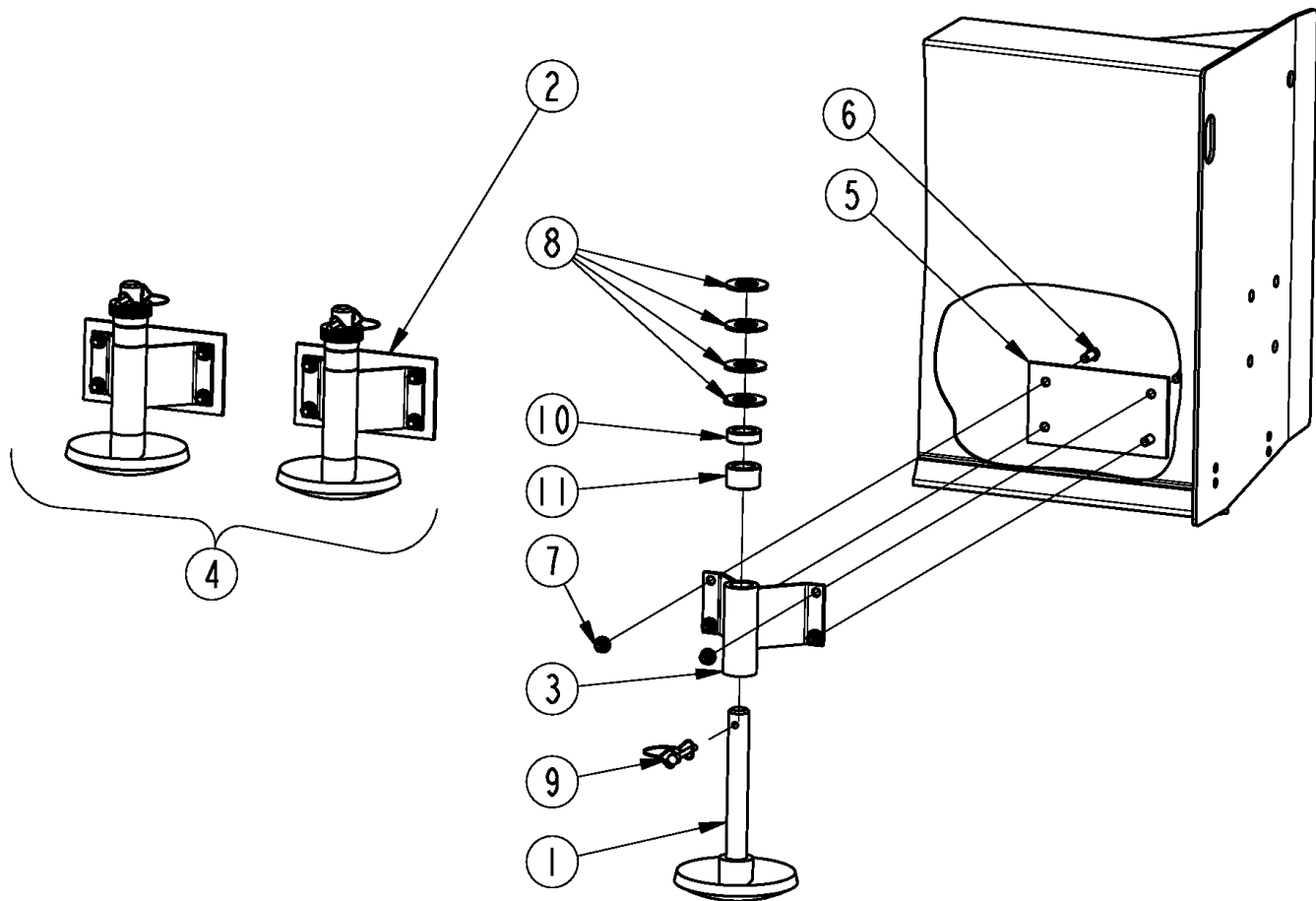


**Hydraulic Cylinder Double Acting (810-125C) Lion****Applies to SB1574 S/N 881641+**

Ref	Part No.	Part Description	Comments	Revision
	dwg13565	Drawing Image Number		
	810-125C	CYL 2X4X1.12 ROD DBL ACTING *		
1.	803-014C	NUT HEX 3/8-16 PLT		
2.	130556	MON PISTON NUT		
3.	186561	PLUG 9/16-18UNF MORB SOCKET HD		
4.	N/A	MON WEAR RING 1.25-1.13-0.250	In Seal Kit Item #17	
5.	N/A	MON WEAR RING 2.00-1.88-0.260	In Seal Kit Item #17	
6.	N/A	MON SEAL ZURCON U-CUP RU9 1.13	In Seal Kit Item #17	
7.	N/A	MON SEAL ZURCON WYNSEAL 2.00	In Seal Kit Item #17	
8.	N/A	MON SEAL DUAL 2.00-.170	In Seal Kit Item #17	
9.	N/A	MON SEAL WIPER 1.13 WNUC TSS	In Seal Kit Item #17	
10.	258851	MON PISTON 2.00-.75-TSS-ISO-WR		
11.	437208	LION ROD WLDMT 1 1/8X4 STROKE		
12.	491604	LION CYL. TUBE 2 X 4		
13.	492214	MON TIE ROD 3/8-04		
14.	492669	MON CLEVS CAP 2.00-9/16ORB-1.0		
15.	494382	MON ROD CAP 2.0-1.12-9/16ORB-TS		
16.	235005	MON PIN KIT 1.00C/W COTTER PIN		
17.	810-883C	MON SEAL KIT 620271		

# Inner Skid Shoes

Applies to SB1574 S/N 881641+



33073

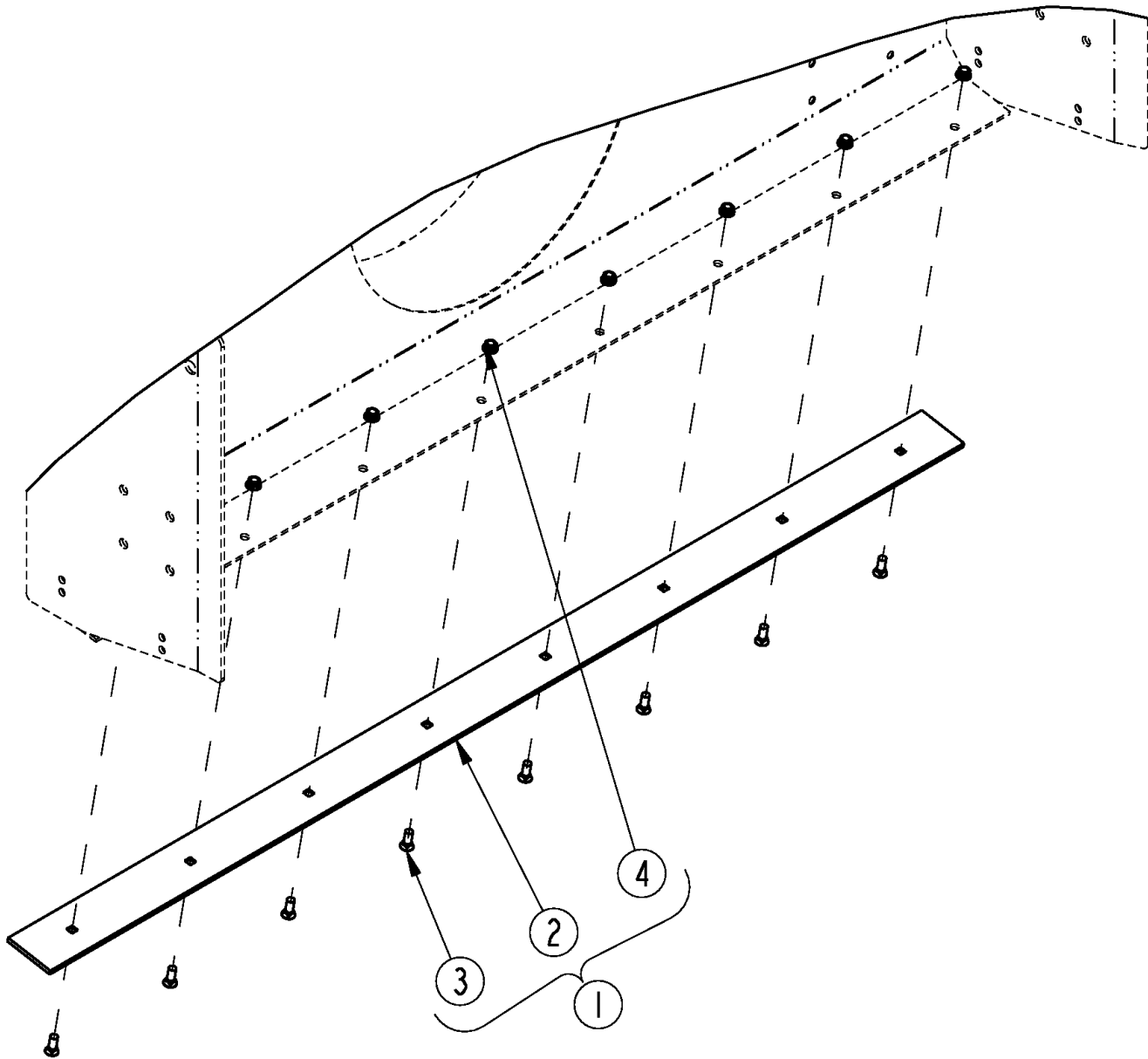
**Inner Skid Shoes**

**Applies to SB1574 S/N 881641+**

<b>Ref</b>	<b>Part No.</b>	<b>Part Description</b>	<b>Comments</b>	<b>Revision</b>
	dwg33073	Drawing Image Number		
1.	301-293H	WELDMENT, TB SKID SHOE		
2.	370-103K	SKID SHOE ASSEMBLY		
3.	370-104H	SKID SHOE MOUNT		
4.	370-105A	SKID SHOE BUNDLE		
5.	370-210D	SKID SHOE MOUNT INBOARD		
6.	802-017C	HHCS 3/8-16X1 GR5		
7.	803-209C	NUT FLANGE LOCK 3/8-16 PLT		
8.	804-029C	WASHER FLAT 1 SAE		
9.	805-065C	PIN WIRE RETAINING 1/4 X 1 3/4		
10.	827-001C	SPACER 1/2		
11.	827-002C	SPACER 1		

# Lower Wear Bar Kit SB15

Applies to SB1574 S/N 881641+



33074

## **Lower Wear Bar Kit SB15**

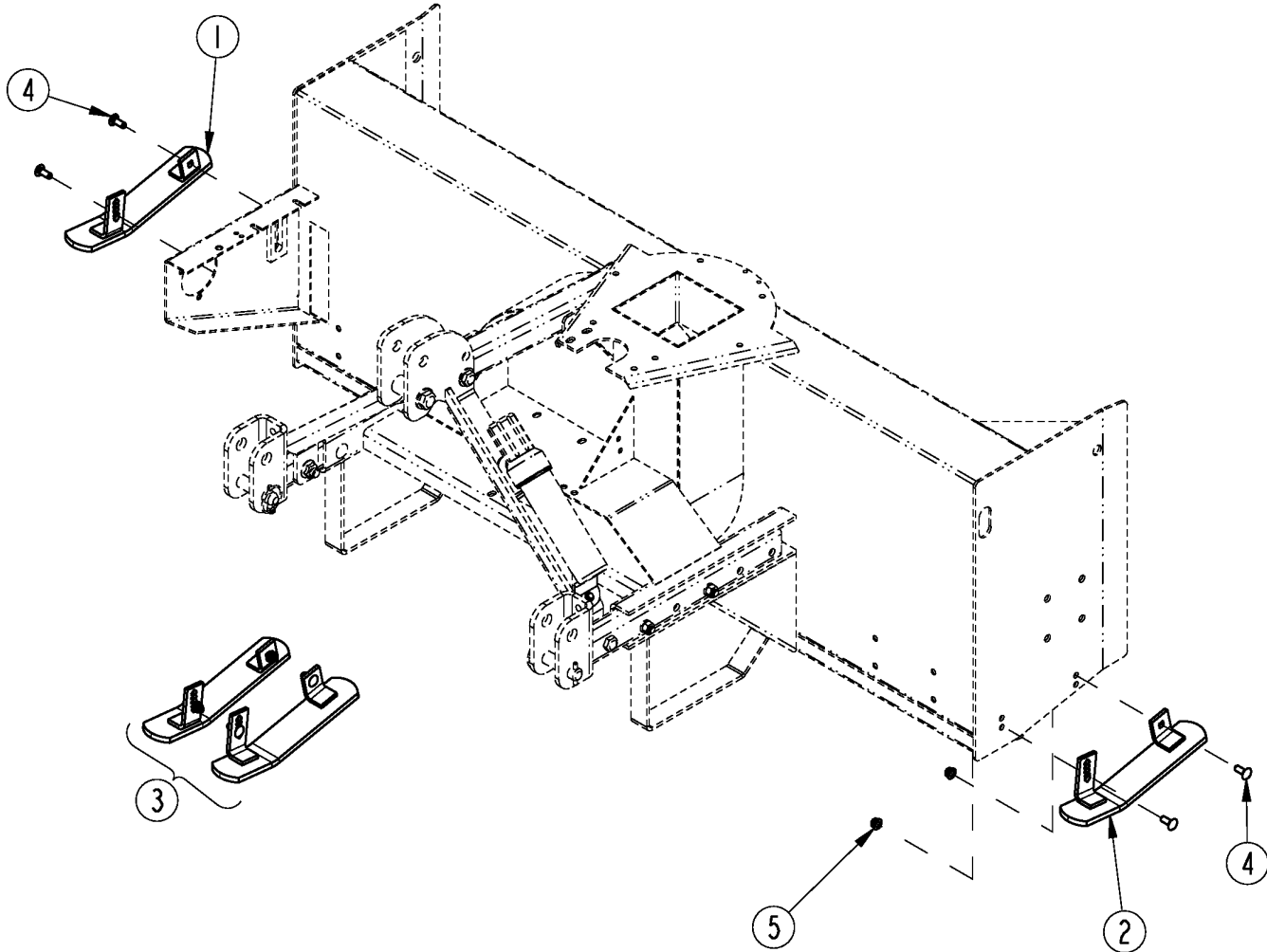
---

**Applies to SB1574 S/N 881641+**

<b>Ref</b>	<b>Part No.</b>	<b>Part Description</b>	<b>Comments</b>	<b>Revision</b>
	dwg33074	Drawing Image Number		
1.	370-108A	HARDENED WEAR BAR BUNDLE SB1574		
1.	370-444A	MILD WEAR BAR BUNDLE SB1574		
2.	370-213D	HARDENED WEAR BAR SB1574		
2.	370-744D	MILD WEAR BAR SB1574		
3.	802-603C	PLOW 3/8-16X1 GR5		
4.	803-209C	NUT FLANGE LOCK 3/8 - 16 PLT		

# Outer Skid Shoes

Applies to SB1574 S/N 881641+



33072

## **Outer Skid Shoes**

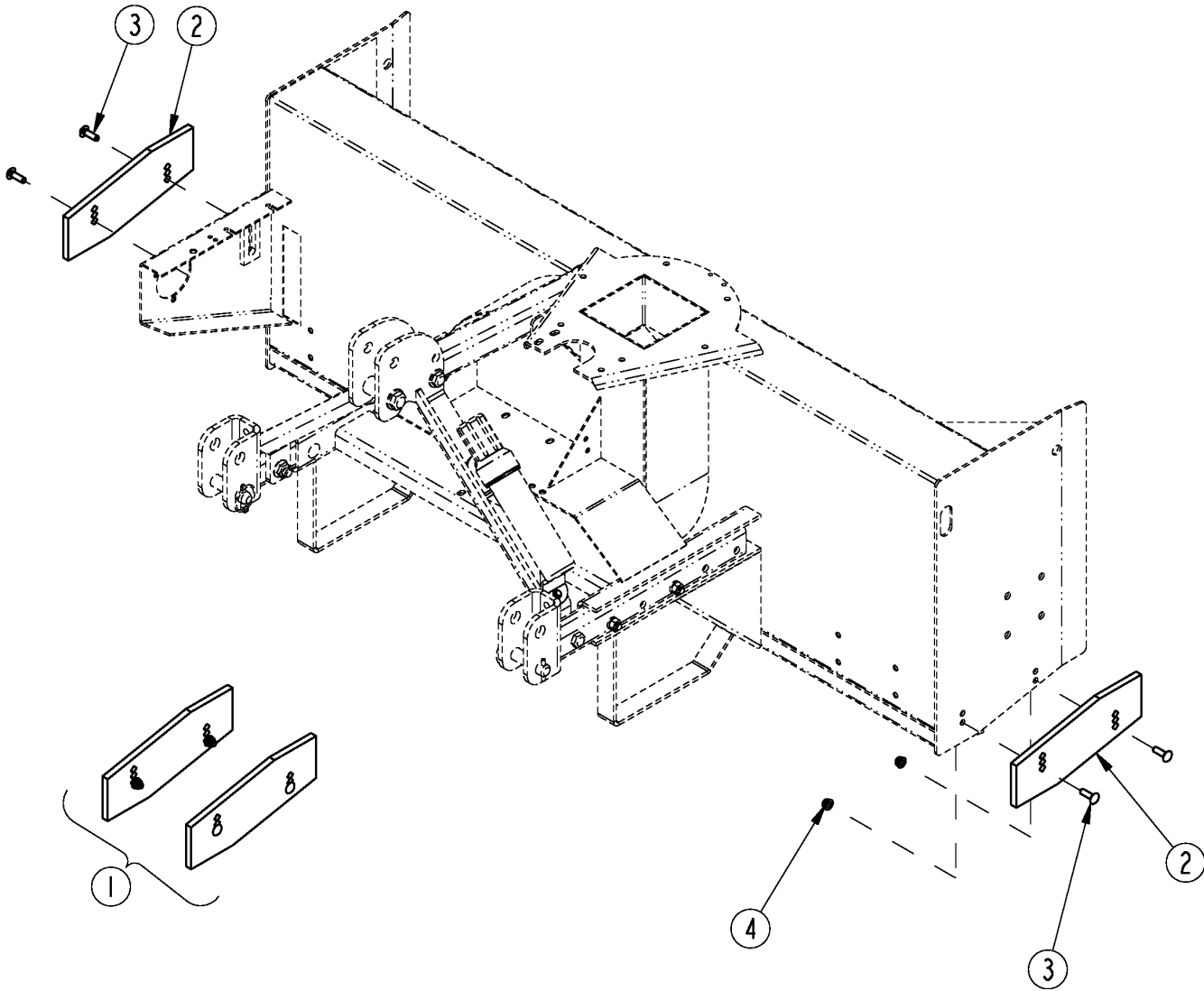
---

**Applies to SB1574 S/N 881641+**

<b>Ref</b>	<b>Part No.</b>	<b>Part Description</b>	<b>Comments</b>	<b>Revision</b>
	dwg33072	Drawing Image Number		
1.	370-113H	SKID SHOE OUTER LH		
2.	370-114H	SKID SHOE OUTER RH		
3.	370-115A	OUTER SKID SHOE BUNDLE		
4.	802-015C	RHSNB 3/8-16X1 GR5		
5.	803-209C	NUT FLANGE LOCK 3/8-16		

# Side Adjustment Plates

Applies to SB1574 S/N 881641+



33071



## **Side Adjustment Plates**

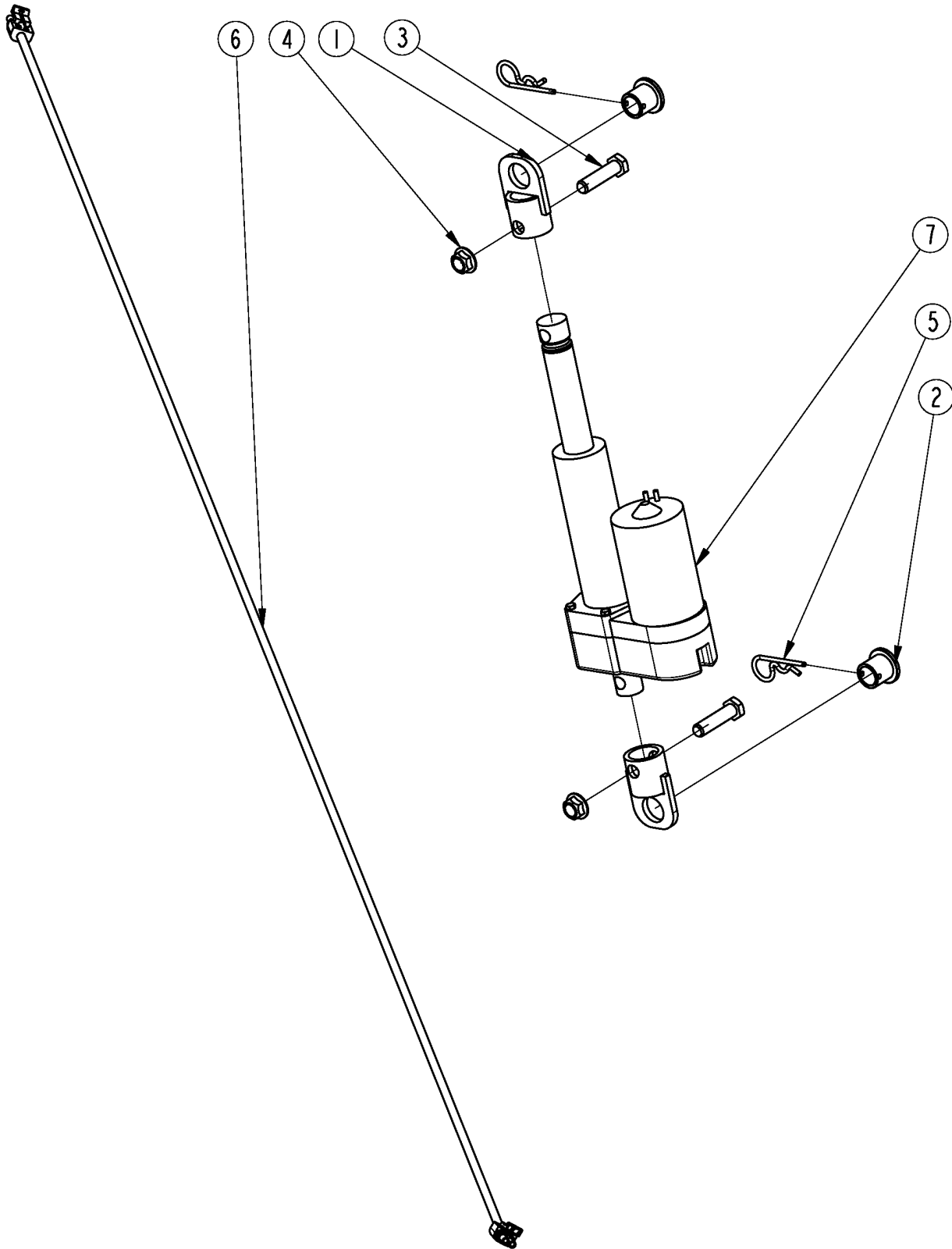
---

**Applies to SB1574 S/N 881641+**

<b>Ref</b>	<b>Part No.</b>	<b>Part Description</b>	<b>Comments</b>	<b>Revision</b>
	dwg33071	Drawing Image Number		
1.	370-106A	SIDE PLATE ADJ BUNDLE		
2.	370-212D	SIDE PLATE ADJUSTABLE		
3.	802-155C	RHSNB 3/8-16X1 1/4 GR5		
4.	803-209C	NUT FLANGE LOCK 3/8-16 PLT		

# Tilt Adjustment Electric

Applies to SB1574 S/N 881641+



33070

## ***Tilt Adjustment Electric***

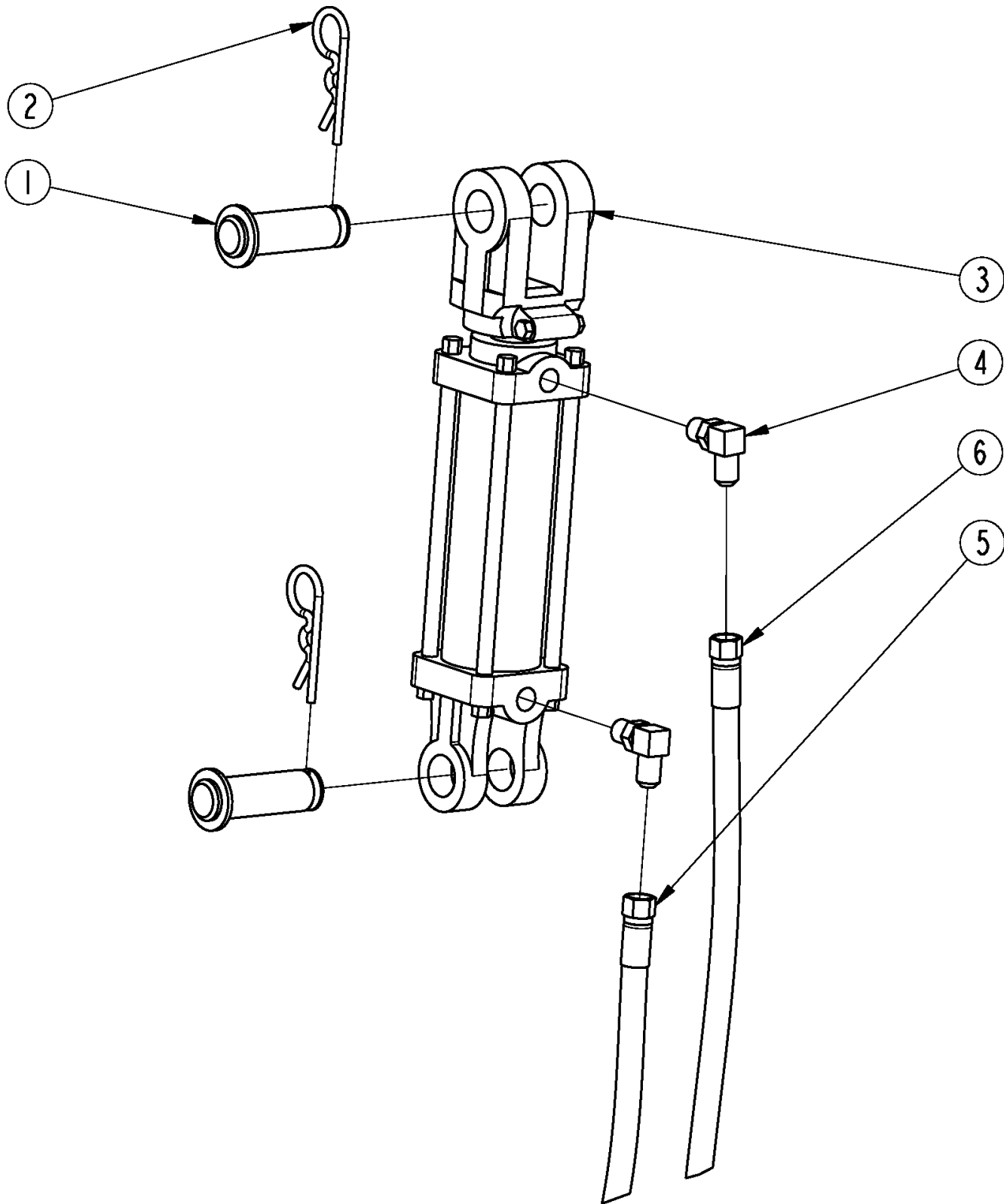
---

**Applies to SB1574 S/N 881641+**

<b>Ref</b>	<b>Part No.</b>	<b>Part Description</b>	<b>Comments</b>	<b>Revision</b>
	dwg33070	Drawing Image Number		
	370-029A	TILT ADJ ELECTRIC		
	*			
1.	370-069H	ACTUATOR ROD END WELD		
2.	370-243D	TILT PIN		
3.	802-128C	HHCS 1/2-13X2 GR5		
4.	803-169C	NUT HEX FLG LOCK 1/2-13 PLT		
5.	805-032C	PIN HAIR COTTER .148 WIRE		
6.	823-378C	HARNESS ELEC. TILT		
7.	833-557C	ACCUATOR, TILT SNOW BLOWER		

# Tilt Adjustment Hydraulic

Applies to SB1574 S/N 881641+



33069

## **Tilt Adjustment Hydraulic**

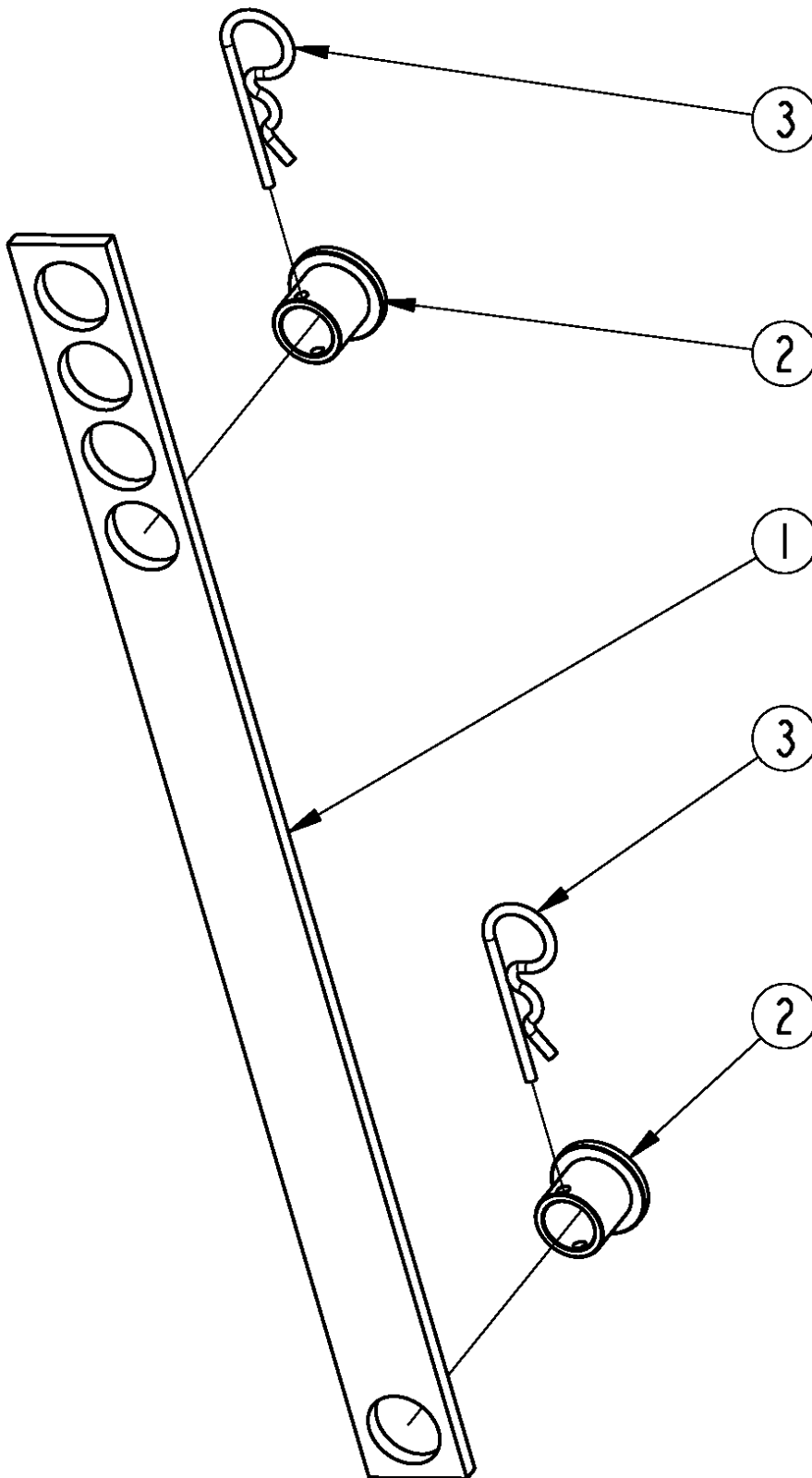
---

**Applies to SB1574 S/N 881641+**

<b>Ref</b>	<b>Part No.</b>	<b>Part Description</b>	<b>Comments</b>	<b>Revision</b>
	dwg33069 370-023A	Drawing Image Number TILT ADJ HYDRAULIC *		
1.	805-004C	PIN CLEVIS 1 X 2 3/4 USABLE LG		
2.	805-088C	PIN, HAIR COTTER 3/16 WIRE DIA		
3.	810-125C	CYL 2X4X1.12 ROD DBL ACTING		
4.	811-062C	OREL 1/32 9/16MJIC 9/16MORB		
5.	841-533C	HH3/8R2 76.43 3/4MORB 9/16FJIC		
6.	841-534C	HH3/8R2 83.84 3/4MORB 9/16FJIC		

# Tilt Adjustment Manual

Applies to SB1574 S/N 881641+



33068

## ***Tilt Adjustment Manual***

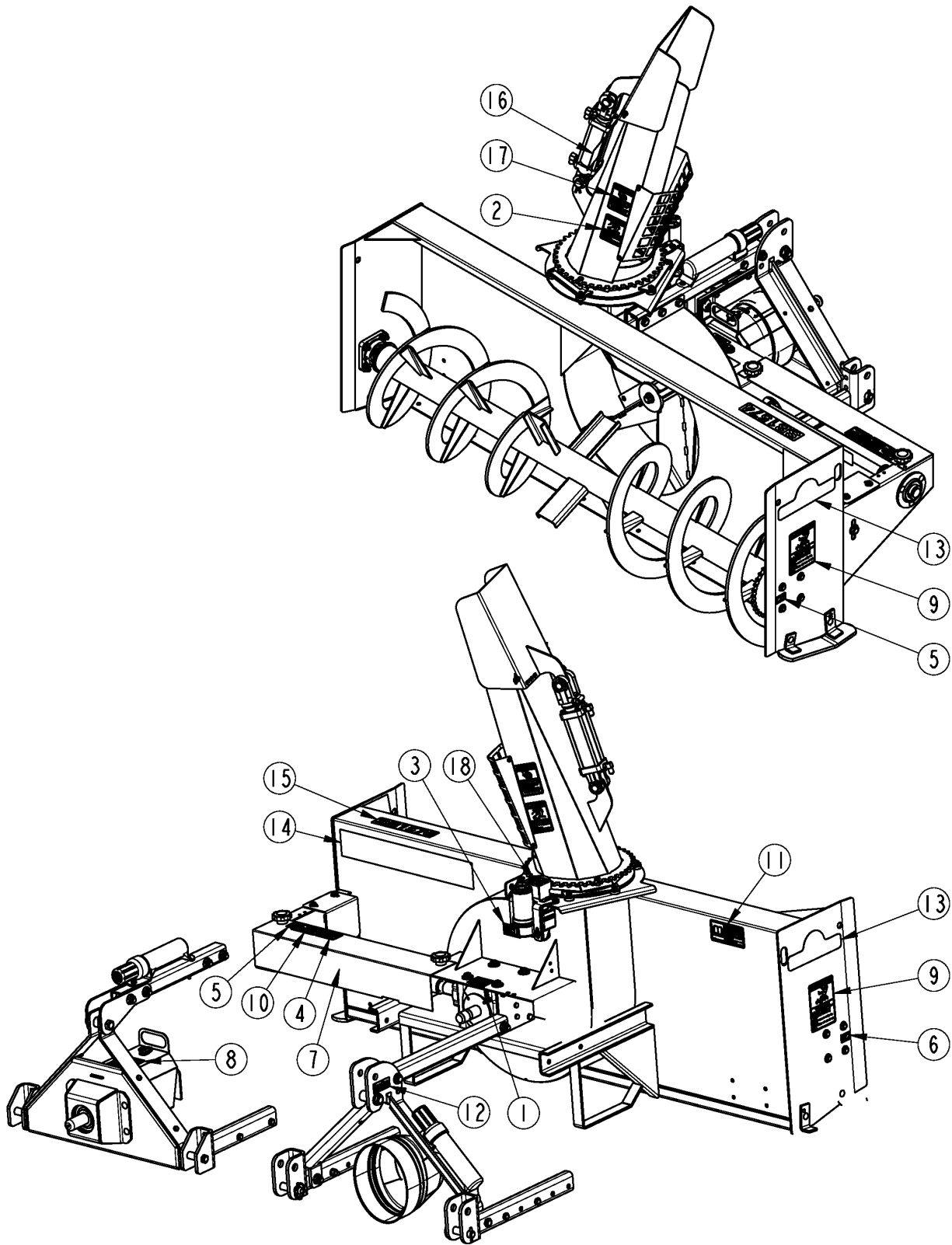
---

**Applies to SB1574 S/N 881641+**

<b>Ref</b>	<b>Part No.</b>	<b>Part Description</b>	<b>Comments</b>	<b>Revision</b>
	dwg33068	Drawing Image Number		
	370-030A	TILT ADJ MANUAL		
		*		
1.	370-055D	TILT ADJ MANUAL		
2.	370-243D	TILT PIN		
3.	805-032C	PIN HAIR COTTER .148 WIRE		

# Decal Placement

Applies to SB1574 S/N 881641+



37070



**Decal Placement****Applies to SB1574 S/N 881641+**

<b>Ref</b>	<b>Part No.</b>	<b>Part Description</b>	<b>Comments</b>	<b>Revision</b>
	Dwg 37070	Drawing Image Number		
1.	818-130C	DECAL WARNING 540 RPM		
2.	818-132C	DECAL DANGER THROWN OBJECT HAZ		
3.	N/A			
4.	818-205C	DECAL WARNING MOVING PARTS HAZ		
5.	818-349C	DECAL GREASE 10 HRS LH		
6.	818-402C	DECAL GREASE 10 HRS RH		
7.	818-522C	DECAL MOVING PARTS DANGER		
8.	818-552C	DECAL DANGER PTO DRIVELINE		
9.	818-634C	DECAL DANGER AD ROTATING AUGER		
10.	818-798C	DECAL WARNING PINCH POINT GEN		
11.	838-293C	DECAL WARNING READ MANUAL		
11.	818-858C	RPBY 838-293C		
12.	838-517C	DECAL QUICK HITCH SYSTEM		
13.	818-892C	RPBY 838-963C	Beige Unit	
13.	838-963C	DECAL LP 10" W/TREE BROWN/GOLD	Green Unit, Orange Unit, Red Unit	
14.	818-907C	RPBY 838-966C	Beige Unit	
14.	838-966C	DECAL LANDPRIDE 22" BROWN/GOLD	Green Unit, Orange Unit, Red Unit	
15.	848-590C	RPBY 848-589C	Obsolete	
15.	848-589C	DECAL SB1574 GOLD		
16.	848-747C	DECAL HIGH PRESSURE FLUIDS		
17.	848-840C	DECAL DANGER ROTATING IMPELLER		
18.	858-148C	DECAL PIC--PINCH POINT		

***Touch-up Paints - LP***

---

Applies to SB1574 S/N 881641+

**No diagram associated with this Parts List**

**Touch-up Paints - LP****Applies to SB1574 S/N 881641+**

<b>Ref</b>	<b>Part No.</b>	<b>Part Description</b>	<b>Comments</b>	<b>Revision</b>
1.	821-011C	LP BEIGE SPRAY CAN	Spray can	
1.	821-011CTU	LP BEIGE TOUCH-UP 5OZ	Touch-up bottle with brush	
1.	821-011CQT	LP BEIGE QUART	Quart can	
1.	821-011CGL	LP BEIGE GALLON	Gallon can	
2.	821-070C	GLOSS BLACK SPRAY CAN	Spray can	
2.	821-070CTU	GLOSS BLACK TOUCH-UP 5OZ	Touch-up bottle with brush	
2.	821-070CQT	GLOSS BLACK QUART	Quart can	
2.	821-070CGL	GLOSS BLACK GALLON	Gallon can	
3.	821-054C	MED. RED SPRAY TRCK/CTR	Spray can	
3.	821-054CTU	MED RED TOUCH-UP 5OZ	Touch-up bottle with brush	
3.	821-054CQT	MED RED QUART	Quart can	
3.	821-054CGL	MED RED GALLON	Gallon can	
4.	821-058C	GREEN SPRAY CUTTERS	Spray can	
4.	821-058CTU	GREEN TOUCH-UP 5OZ	Touch-up bottle with brush	
4.	821-058CQT	GREEN QUART	Quart can	
4.	821-058CGL	GREEN GALLON	Gallon can	
5.	821-066C	ORANGE SPRAY CAN	Spray can	
5.	821-066CTU	ORANGE TOUCH-UP 5OZ	Touch-up bottle with brush	
5.	821-066CQT	ORANGE QUART	Quart can	
5.	821-066CGL	ORANGE GALLON	Gallon can	
6.	821-067C	BLUE SPRAY CAN	Spray can	
6.	821-067CTU	BLUE TOUCH-UP 5OZ	Touch-up bottle with brush	
6.	821-067CQT	BLUE QUART	Quart can	
6.	821-067CGL	BLUE GALLON	Gallon can	
7.	821-080C	PAINT ALUMINUM/ZINC SPRAY CAN	Spray can	
7.	821-080CTU	PAINT ALUMINUM/ZINC TOUCH UP	Touch-up bottle with brush	
7.	821-080CQT	PAINT ALUMINUM/ZINC QUART	Quart can	
7.	821-080CGL	PAINT ALUMINUM/ZINC GALLON	Gallon can	



# Part Number Index

The Part Number Index is a numeric index of all part numbers included in this manual. The index shows what page(s) the part is used on.

Part Number	Page	Part Number	Page	Part Number	Page	Part Number	Page
* .....	15, 17, 19, 21, 23, 25, 27, 29, 31, 33, 43, 45, 47	370-106A .....	41	800-001C .....	7	805-065C .....	23, 35
0.132.5002.00 .....	17	370-108A .....	37	800-080C .....	13	805-088C .....	45
0.267.1500.00 .....	17	370-113H .....	39	800-303C .....	27	805-136C .....	19
0.267.2000.00 .....	17	370-114H .....	39	800-402C .....	13	805-198C .....	11, 31
0.267.4221.00 .....	17	370-115A .....	39	801-019C .....	23	805-208C .....	25
0.267.5000.00 .....	17	370-118A .....	29	801-027C .....	13	805-363C .....	9
0.267.7100.00 .....	17	370-142D .....	9	801-171C .....	19, 21	808-400C .....	13
123.340.256.11 .....	15	370-147D .....	13	802-005C .....	13	808-423C .....	7, 13
123.440.704.11 .....	15	370-153D .....	13	802-007C .....	23, 25	809-301C .....	13
130556 .....	33	370-165D .....	11	802-014C .....	9	810-125C .....	33, 45
141.024.430.1 .....	15	370-166D .....	11	802-015C .....	13, 19, 39	810-751C .....	21
142.241.1687421 .....	15	370-168D .....	9	802-017C .....	19, 21, 23, 35	810-883C .....	33
142.241.2417421 .....	15	370-208D .....	23	802-022C .....	9	811-062C .....	45
143.240.011.1 .....	15	370-210D .....	35	802-068C .....	11, 31	811-170C .....	21
151.014.006.1 .....	15	370-212D .....	41	802-079C .....	7, 13, 25	816-504C .....	11
151.014.007.1 .....	15	370-213D .....	37	802-091C .....	7	817-358C .....	13, 25
152.140.2090710 .....	15	370-243D .....	43, 47	802-102C .....	13	817-871C .....	9
153.140.109 .....	15	370-392H .....	21	802-128C .....	19, 43	817-931C .....	25
165.000.525 .....	15	370-393H .....	19	802-130C .....	11, 31	818-130C .....	49
165.000.571 .....	15	370-396A .....	21	802-153C .....	13	818-132C .....	49
165.000.628 .....	15	370-397A .....	19	802-155C .....	25, 41	818-205C .....	49
180.014.130 .....	15	370-398K .....	19	802-159C .....	13, 23	818-349C .....	49
180.014.232 .....	15	370-399H .....	19	802-160C .....	11, 31	818-402C .....	49
180.014.233 .....	15	370-401H .....	11, 31	802-162C .....	11, 13, 31	818-522C .....	49
180.014.240 .....	15	370-416H .....	9	802-163C .....	9	818-552C .....	49
180.016.636 .....	15	370-416H81 .....	9	802-224C .....	11	818-634C .....	49
186561 .....	33	370-416H82 .....	9	802-258C .....	13	818-798C .....	49
190.000.012 .....	15	370-416H83 .....	9	802-281C .....	11, 31	818-858C .....	49
190.000.014 .....	15	370-444A .....	37	802-459C .....	13, 31	818-892C .....	49
190.000.020 .....	15	370-454S .....	9	802-603C .....	37	818-907C .....	49
190.000.098 .....	15	370-455H .....	23	802-741C .....	21	821-011C .....	51
190.000.099 .....	15	370-456H .....	23	802-954C .....	21	821-011CGL .....	51
213-005 .....	27	370-457A .....	23	803-008C .....	13, 23	821-011CQT .....	51
219-007 .....	27	370-463H .....	11, 31	803-013C .....	9	821-011CTU .....	51
219-009 .....	27	370-464H .....	11, 31	803-014C .....	9, 23, 25, 33	821-054C .....	51
235005 .....	33	370-574H .....	25	803-019C .....	19	821-054CGL .....	51
250-007 .....	27	370-576H .....	25	803-020C .....	11, 31	821-054CQT .....	51
250-023 .....	27	370-577A .....	25	803-021C .....	13	821-054CTU .....	51
255-092 .....	27	370-585A .....	31	803-078C .....	25	821-058C .....	51
255-093 .....	27	370-644D .....	13	803-084C .....	25	821-058CGL .....	51
255-098 .....	27	370-683D .....	13	803-169C .....	7, 43	821-058CQT .....	51
255-102 .....	27	370-699D .....	21	803-181C .....	11, 31	821-058CTU .....	51
255-103 .....	27	370-700D .....	19	803-209C .....	7, 13, 19, 21, 35, 37, 39, 41	821-066C .....	51
255-104 .....	27	370-705D .....	19, 21	803-255C .....	11, 13	821-066CGL .....	51
255-186 .....	27	370-707D .....	11, 31	803-263C .....	11, 31	821-066CQT .....	51
258851 .....	33	370-724D .....	9	803-268C .....	9	821-067C .....	51
259-001 .....	27	370-744D .....	37	804-004C .....	19, 21	821-067CGL .....	51
259-004 .....	27	370-755D .....	23	804-007C .....	11, 21	821-067CQT .....	51
259-005 .....	27	370-757D .....	23	804-009C .....	13, 23	821-067CTU .....	51
301-293H .....	35	370-758D .....	23	804-010C .....	13	821-070C .....	51
304-345 .....	27	370-762D .....	9	804-012C .....	9, 19, 23, 25	821-070CGL .....	51
308-400D .....	11, 31	370-763D .....	23	804-013C .....	9, 23	821-070CQT .....	51
310-020S .....	11	370-920D .....	25	804-015C .....	11, 13, 31	821-070CTU .....	51
326-095S .....	31	370-921D .....	25	804-016C .....	7	821-080C .....	51
370-023A .....	45	370-922D .....	25	804-017C .....	13	821-080CGL .....	51
370-029A .....	43	370-923D .....	25	804-021C .....	11, 13, 31	821-080CQT .....	51
370-030A .....	47	437208 .....	33	804-022C .....	13	821-080CTU .....	51
370-039H .....	13	491604 .....	33	804-025C .....	11, 31	822-166C .....	17
370-055D .....	47	492214 .....	33	804-029C .....	35	822-167C .....	17
370-059H .....	13	492669 .....	33	804-036C .....	23, 25	822-191C .....	17
370-061H .....	13	494382 .....	33	804-046C .....	19, 21	822-218C .....	13
370-069H .....	43	8.1.1.00209 .....	17	804-157C .....	13, 31	822-243C .....	7
370-071H .....	9	8.5.1.00005 .....	17	804-161C .....	13, 31	822-250C .....	13
370-072H .....	9	8.5.2.00030 .....	17	804-226C .....	21	822-253C .....	9
370-101H .....	7	8.5.2.00131 .....	17	804-239C .....	9	822-300C .....	25
370-103K .....	35	8.6.0.01684 .....	17	805-004C .....	45	823-377C .....	27, 29
370-104H .....	35	8.6.6.00201 .....	17	805-015C .....	11, 31	823-378C .....	43
370-105A .....	35	8.7.1.00152 .....	17	805-032C .....	25, 43, 47	823-379C .....	19
		8.7.1.00748 .....	17	805-041C .....	11, 31	823-386C .....	29



## Part Number Index (continued)

<u>Part Number</u>	<u>Page</u>
826-240C .....	13, 31
826-503C .....	17
826-654C .....	13, 17
826-687C .....	13, 15, 31
826-847C .....	25
827-001C .....	35
827-002C .....	35
827-115C .....	19
833-543C .....	19
833-557C .....	43
837-399C .....	25
838-293C .....	49
838-517C .....	31, 49
838-963C .....	49
838-966C .....	49
841-533C .....	45
841-534C .....	45
841-773C .....	21
848-589C .....	49
848-590C .....	49
848-747C .....	49
848-840C .....	49
858-148C .....	49
A.259.500 .....	17
A110.500 .....	17
A244.501 .....	17
Dwg 37065 .....	23
Dwg 37070 .....	49
Dwg 73348 .....	31
Dwg 74257 .....	25
dwg13565 .....	33
dwg33068 .....	47
dwg33069 .....	45
dwg33070 .....	43
dwg33071 .....	41
dwg33072 .....	39
dwg33073 .....	35
dwg33074 .....	37
dwg33086 .....	13
dwg33087 .....	7
dwg33090 .....	29
dwg33091 .....	27
dwg33117 .....	15
dwg33119 .....	17
dwg37060 .....	19
dwg37062 .....	21
dwg37068 .....	9
dwg37069 .....	11
N/A .....	15, 17, 33, 49
SK-SCR0622000A .....	21
ZHSK-EBMM .....	21



Great Plains Manufacturing, Inc.

Corporate Office: P.O. Box 5060  
Salina, Kansas 67402-5060 USA

[www.landpride.com](http://www.landpride.com)

---