

# SB15/25 Stop Rotation Bundle Kit Assembly Instructions



For SB1574 & SB2584 Snow Blowers

Manual No. 370-242M

## Before You Start

### IMPORTANT HYDRAULIC NOTE:

**THIS KIT CANNOT BE USED WITH HYDRAULIC ROTATION BUNDLE NO. 370-024A OR DAMAGE TO THE SNOW BLOWER WILL OCCURE. IT MUST BE USED WITH HYDRAULIC ROTATION BUNDLE NO. 370-077A.**

**IMPORTANT:** Before you begin, read these instructions and check to be sure all parts and tools are accounted for. Please retain these installation instructions for future reference and parts ordering information.

Your SB15/25 Stop Rotation Bundle Kit is exclusively designed for Land Pride Model SB1574 & SB2584 Snow Blowers to prevent rotating the spout towards the operator. Please read these installation instructions and your Snow Blower Operator's Manual thoroughly before beginning. Especially read information relating to safety concerns. Also included in the Operator's Manual is important information on operation, adjustment, troubleshooting, and maintenance for this attachment (some manual sections do not apply to all accessories).

A separate Parts Manual for replacement parts can be purchased from your nearest Land Pride dealer or downloaded free of charge from our web site at [www.landpride.com](http://www.landpride.com). Have model and serial numbers handy when placing an order.

### Manual Part Numbers:

- SB1574 & SB2584 Operator's Manual . 370-027M
- SB1574 Parts Manual . . . . . 370-126P
- SB2584 Parts Manual . . . . . 370-127P

## General Information

A detailed listing of parts for this accessory kit is provided below. Use the list as a checklist to inventory parts received. Please contact your local Land Pride dealer for any missing hardware.

### 370-143A 15/25 SERIES STOP ROTATION BUNDLE KIT FOR MANUAL ROTATION, ELECTRICAL ROTATION, & HYDRULIC ROTATION (SEE IMPORTANT HYDRAULIC NOTE ABOVE)

Qty.	Part No.	Part Description
1	370-189M	THIS INSTRUCITON SHEET
1	370-143A	SB15 & SB25 SERIES DRILL TEMPLATE WITH INSTRUCTIONS & PARTS LIST
1	370-250D	STOP BAR SB10 SERIES
2	802-014C	HHCS 3/8"-16 X 3/4" GR5
2	804-014C	NUT LOCK 3/8"-16 PLT

## Terminology

See Figure 1 on page 2: "Right" & "Left" as used in this Instruction Sheet and Operator's Manual are determined by facing in the direction the machine will travel while in use unless otherwise stated.

## Tools Required

- Safety glasses
- Work gloves
- Center punch
- Hammer
- Two 9/16" wrenches
- Electric drill
- 13/32" drill bit
- Extension cord

## Further Assistance

Your dealer wants you to be satisfied with your new Snow Blower. If for any reason you do not understand any part of this manual or are not satisfied with the service received, the following actions are suggested:

1. Discuss the matter with your dealership service manager making sure he is aware of any problems you may have and that he has had the opportunity to assist you.
2. If you are still not satisfied, seek out the owner or general manager of the dealership, explain the problem and request assistance.
3. For further assistance write to:

**Land Pride Service Department**  
1525 East North Street  
P.O. Box 5060  
Salina, Ks. 67402-5060  
[www.landpride.com](http://www.landpride.com)

E-mail address  
[lp servicedept@landpride.com](mailto:lp servicedept@landpride.com)

# Assembly Instructions

## Initial Preparations

Refer to Figure 1:

1. Park Snow Blower on a flat surface.
2. Rotate spout until it points to the left side. (Discharges parallel with auger.)
3. Move tractor gear shift lever to neutral, set park brake, turn off engine and remove ignition key.

## Template Instructions

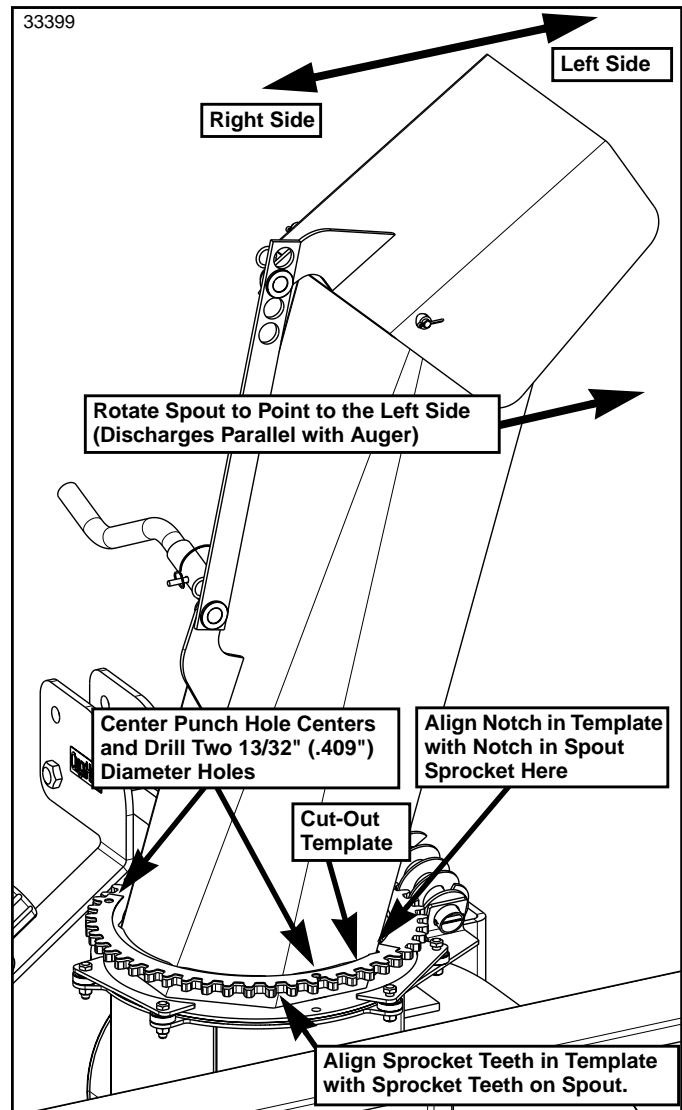
Refer to Figure 1:

1. Locate drawing 370-143A included with this kit. This drawing includes two cut-out templates. Use cut-out template (#1) for Snow Blower Model SB1574 and template (#2) for Snow Blower Model SB2584. Cut template from drawing being careful not to destroy any additional information on the drawing. Do not cut 13/32" holes out of template.
2. Align notch in template with notch in spout sprocket as shown in Figure 1.
3. Align teeth in template with teeth in spout sprocket.
4. With hammer and center punch, make center punch marks at center of 13/32" diameter holes shown on template.
5. Remove template and drill two 13/32" diameter holes through spout sprocket plate at center punch marks.

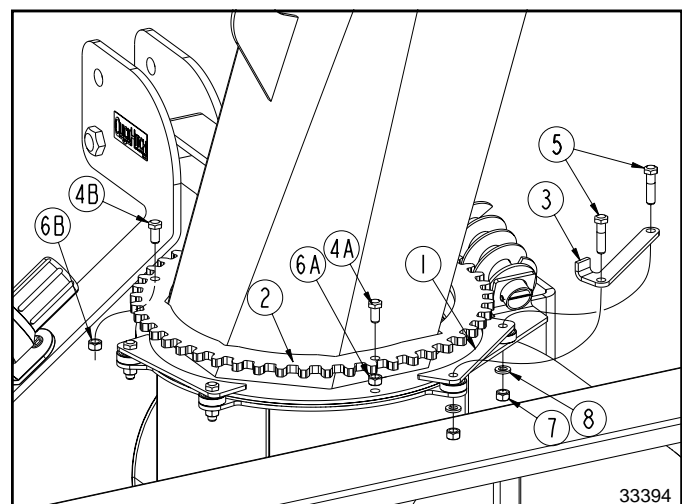
## Installation Instructions

Refer to Figure 2:

1. Remove 2-hex nuts (#7), 2-lockwashers (#8), and 2-hex head bolts (#5) in the location shown.
2. Attach stop bar (#3) to bearing strap (#1) with existing 3/8"-16 x 1 1/2" GR5 hex head bolts (#5), lock washers (#8), and hex nuts (#7). Tighten nuts to 35 ft-lbs of torque.
3. Insert new 3/8"-16 x 3/4" GR5 hex head bolt (#4A) through newly drilled hole in sprocket plate (#2) and secure with new hex lock nut (#6A). Draw lock nut up snug, do not tighten.
4. Rotate spout sprocket (#2) **counter clockwise** until hex lock nut (#6) comes against stop bar (#3).
5. Align one of the flats of lock nut (#6A) with edge of stop bar. Hold nut in this position with a wrench and tighten bolt (#4A) to 35 ft-lbs of torque.
6. Insert new 3/8"-16 x 3/4" GR5 hex head bolt (#4B) through the other drilled hole in sprocket plate (#2) and secure with new hex lock nut (#6B). Draw lock nut up snug, do not tighten.
7. Rotate spout sprocket (#2) **clockwise** until hex lock nut (#6B) comes against stop bar (#3).
8. Align one of the flats of lock nut (#6B) with edge of stop bar. Hold nut in this position with a wrench and tighten bolt (#4B) to 35 ft-lbs of torque.



Template Placement  
Figure 1



Installation of Stop Bundle Kit  
Figure 2