

# Mulching Baffle Kit Land Pride Zero Turn Mower



Manual No. 357-638M

ZT360, ZT372, and (ZT60i, & ZT72i with S/N 748110+)

## Before You Start



When you see this symbol, the subsequent instructions and warnings are serious - follow without exception. Your life and the lives of others depend on it!

**IMPORTANT:** Before you begin, read these instructions and check to be sure all parts and tools are accounted for. Please retain these installation instructions for future reference and parts ordering information.

Your Land Pride Mulching Baffle Kit is exclusively designed for your Land Pride Zero Turn mower. Please read these installation instructions and the vehicle Operator's Manual thoroughly before beginning. Especially read information relating to safety concerns. Also included in the Operator's Manual is important information on operation, adjustment, troubleshooting, and maintenance for this attachment and the mower blades (some manual sections do not apply to all accessories).

A separate Parts Manual for replacement parts can be purchased from your nearest Land Pride dealer or downloaded free-of-charge from our web site at [www.landpride.com](http://www.landpride.com). Have model and serial numbers handy when placing an order.

## Manual Part Numbers:

- Operator's Manual (ZT360 & ZT372) . . . 357-610M
- Parts Manual (ZT360 & ZT372) . . . . . 357-610P
- Operator's Manual (ZT60i & ZT72i) . . . . 357-552M
- Parts Manual (ZT60i & ZT72i) . . . . . 357-552P

## General Information

These assembly instructions apply to the following Mulching Baffle Kits listed below.

- 357-573A . . . . . **MULCH KIT, 60 IN**  
 357-577A . . . . . **MULCH KIT, 72 IN**

## Tools required

- Safety glasses
- Work gloves
- Drive Punch
- Hammer
- 9/16" wrench
- 1/2" wrench
- Torque wrench with 1/2" & 9/16" sockets

## Definitions

Right-hand and left-hand as used in this manual are determined by facing the direction the machine will operate while in use unless otherwise stated.

## Further Assistance

Your dealer wants you to be satisfied with your new Mulching Baffle Kit. If you do not understand any part of this manual or are not satisfied with the service received, the following actions are suggested:

1. Discuss the matter with your dealership service manager making sure that person is aware of any problems and has had the opportunity to assist you.
2. If you are still not satisfied, seek out the owner or general manager of the dealership, explain the problem and request assistance.
3. For further assistance write to:

**Land Pride Service Department**  
**1525 East North Street**  
 P.O. Box 5060  
 Salina, Ks. 67402-5060 USA

E-mail address  
[lp servicedept@landpride.com](mailto:lp servicedept@landpride.com)

<b>357-573A 60" MULCHING BAFFLE KIT</b>			
<b>For ZT60i With S/N 748110+ &amp; ZT360</b>			
Your kit includes: (Note: Blades Are Not Included)			
Item	Qty.	Part No.	Part Description
1	2	357-574H	MULCH BAFFLE, 60
2	1	357-575H	MULCH PLUG, 60
3	6	802-092C	RHSNB 5/16-18X3/4 GR5
4	2	802-149C	RHSNB 3/8-16X3/4 GR5
5	5	803-043C	NUT HEX WHIZ 5/16-18 PLT
6	1	803-084C	NUT HEX NYLOCK 5/16-18 PLT
7	2	803-198C	NUT HEX WHIZ 3/8-16 PLT
8	1	804-036C	WASHER FLAT 5/16 SAE PLT
	1	357-638M	MANUAL, MULCH KIT

<b>357-577A 72" MULCHING BAFFLE KIT</b>			
<b>For ZT72i With S/N 748110+ &amp; ZT372</b>			
Your kit includes: (Note: Blades Are Not Included)			
Item	Qty.	Part No.	Part Description
1	2	357-576H	MULCH BAFFLE, 72
2	1	357-578H	MULCH PLUG, 72
3	6	802-092C	RHSNB 5/16-18X3/4 GR5
4	2	802-149C	RHSNB 3/8-16X3/4 GR5
5	5	803-043C	NUT HEX WHIZ 5/16-18 PLT
6	1	803-084C	NUT HEX NYLOCK 5/16-18 PLT
7	2	803-198C	NUT HEX WHIZ 3/8-16 PLT
8	1	804-036C	WASHER FLAT 5/16 SAE PLT
	1	357-638M	MANUAL, MULCH KIT

<b>Mulching Blade Ordering Information</b>		
Mower Model	Part No.	Includes a Set of 3
<b>ZT60i &amp; ZT360</b>	310-469A	20.91" Mulching Blades
<b>ZT72i &amp; ZT372</b>	310-473A	25.00" Mulching Blades

## Assembly Instructions

ZT60i & ZT360 . . . . . Kit No. 357-573A

ZT72i & ZT372 . . . . . Kit No. 357-577A

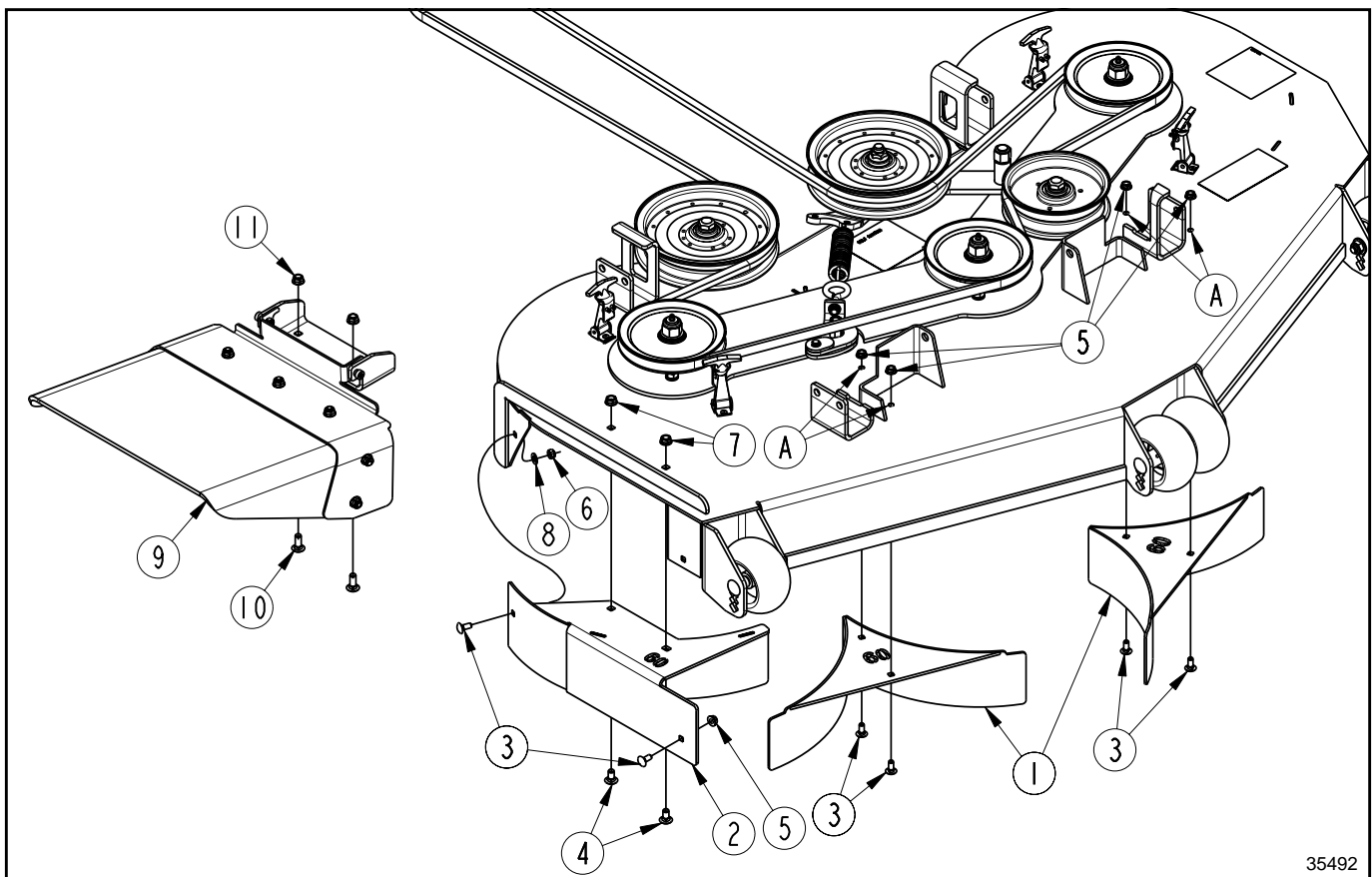
A detailed listing of parts for these Accessory Kits are provided on page 1. Use the list that is for your Mulching Baffle Kit as a checklist to inventory parts received. Please contact your local Land Pride dealer for any missing hardware.

**Refer to Figure 1:**

1. Park mower on a flat surface, move control levers fully out, set park brake lever to on, shut engine off and remove spark plug wire from spark plug.
2. Chock front and back of rear wheels to keep mower from moving while working under the unit.
3. Rotate mower floor platform up to access knock-out plugs (A) in mower deck.
4. Locate pilot holes (A) which have knock-out plugs in the deck. Punch-out these plugs. Make sure knock-out plugs are completely removed.
5. Raise front of mower until there is room to install baffles under the deck.

**IMPORTANT:** Be sure to properly block mower up so it can not fall after it is raised.

6. Support mower in the raised position with jack stands or other approved support blocks.
7. Remove 3/8" flange lock nuts (#11), cap screws (#10) and discharge chute (#9). Store removed parts in a safe location for reinstallation should the baffles ever be removed.
8. Mount both baffles (#1) to the deck with 5/16"-18 x 3/4" GR5 carriage bolts (#3) and secure with 5/16" hex whiz nuts (#5). Tighten nuts to 17 ft-lbs.
9. Mount remaining baffle (#2) with two 3/8"-16 x 3/4" GR5 carriage bolts (#3), two 3/8" hex whiz nuts (#7), two 5/16"-18 x 3/4" GR5 Carriage bolts (#4), one 5/16" hex whiz nut (#5), one 5/16" flat washer (#8), and one hex nylock nut (#6) as shown.
10. Tighten the two 3/8" hex whiz nuts (#7) to 31 ft-lbs.
11. Tighten the 5/16" Hex whiz nut (#5) and 5/16" hex nylock nut (#6) to 17 ft-lbs.
12. Lower unit down to ground and reconnect the spark plug wire.



ZT360 Mulching Baffle Kit Shown  
Figure 1