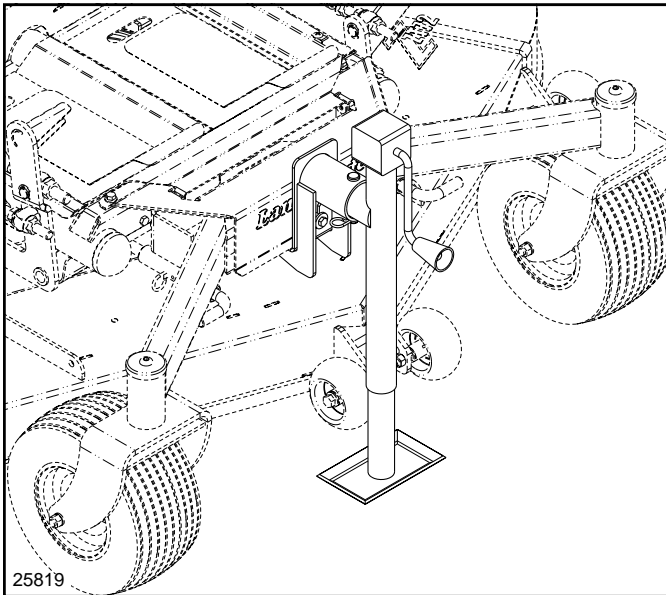


ZXT & ZT Mower Jack Assembly Instructions



For ZXT54, ZXT60, ZT60 & ZT72 Zero Turn Mowers

Manual No. 357-259M



Mower Jack (ZT Series Mower Shown)
Figure 1

Before You Start



When you see this symbol, the subsequent instructions and warnings are serious - follow without exception. Your life and the lives of others depend on it!

IMPORTANT: Before you begin, read these instructions and check to be sure all parts and tools are accounted for. Please retain these installation instructions for future reference and parts ordering information.

Your Mower Jack is exclusively designed for the Land Pride ZXT & ZT Series Zero Turn Mowers. Please read these installation instructions and your Operator's Manual thoroughly before beginning. Especially read information relating to safety concerns.

A separate Parts Manual for your Zero Turn Mower can be purchased from your dealer or available free of charge at www.landpride.com. Have model and serial numbers handy when placing an order.

Manual Part Numbers:

ZXT54 & ZXT60

- Operator's Manual 357-271M
- Parts Manual 357-271P

ZT60 & ZT72

- Operator's Manual 357-103M
- Parts Manual 357-103P

General Information

The Land Pride Mower Jack is designed for raising the front of the mower axle frame and deck to better access front axle components and deck underside. It is especially useful for cleaning the deck underside, accessing cutting blades and making front tire repairs.

Further Assistance

Your dealer wants you to be satisfied with your new Mower Jack. If for any reason you do not understand any part of this manual or are not satisfied with the service received, the following actions are suggested:

1. Discuss the matter with your dealership service manager making sure he is aware of any problems you may have and that he has had the opportunity to assist you.
2. If you are still not satisfied, seek out the owner or general manager of the dealership, explain the problem and request assistance.
3. For further assistance write to:

Land Pride Service Department
1525 East North Street
P.O. Box 5060
Salina, Ks. 67402-5060

E-mail address
lp servicedept@landpride.com

Assembly Instructions

These assembly instructions apply to the accessory kit listed below:

357-209A Mower Jack, ZXT & ZT Series

A detailed listing of parts for this accessory kit is provided on page 2. Use the list as a checklist to inventory parts received. Please contact your local Land Pride dealer for any missing hardware.

Tools required

- Safety glasses
- One 9/16" box end or open end wrench
- Torque wrench with 9/16" socket.

Initial Preparations

1. Park unit on a flat surface and make sure blade engagement switch is **in the down (OFF) position**.
2. Spread both control levers fully apart. Stop engine and remove ignition key.

Mower Jack Assembly

Refer to Figure 2:

1. Remove existing 3/8" x 3/4" bolt (A).
2. Attach jack retainer (#1) to mower frame with 3/8"-16 x 1 3/4" GR8 hex head cap screw (#2). Torque cap screw to 31 ft-lbs.
3. Attach screw jack (#4) to lift bracket (#3) with 5/8" clevis pin (#5) and hair pin cotter (#6).

Mower Jack Operating Instructions

WARNING

Make certain the engine cannot be accidentally started. Shut engine off and remove ignition switch key for maximum safety. Repairs or maintenance requiring engine power should be performed by trained personnel only.

WARNING

Exercise caution when working under the deck as the mower blades are extremely sharp. Wearing gloves is advisable when working around or with blades.

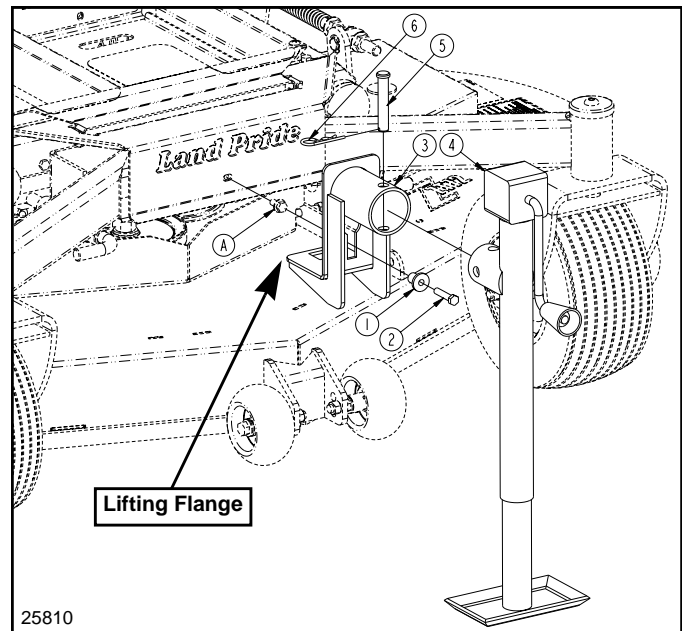
DANGER

For your safety and safety of others, a jacked mower must be supported properly with jack stands before working under and around it. Also the wheels on the ground must be chocked on both sides to prevent the mower from rolling forward or backward.

Refer to Figure 2:

1. Park unit on a flat surface and make sure blade engagement switch is **in the down (OFF) position**.
2. Spread both control levers fully apart. Stop engine and remove ignition key.
3. Chock back and front of rear wheels to prevent mower from rolling forward or backward.
4. Mount lift bracket (#3) onto jack retainer (#1). Make sure flange of jack retainer is fully through the lift bracket slot and that the lift bracket cannot be pulled off the jack retainer when raised up.

5. Turn hand crank of screw jack to raise lift bracket up until lifting flange is against mower axle.
6. Continue jacking front of mower up until mower is slightly higher than what is required for the work intended.
7. Place jack stands under two to three well spaced support points at the deck edge.
8. Lower mower frame until all weight is off the jack. When properly lowered, the deck will be resting on the jack stands and the mower frame will be resting on the deck.
9. After completing maintenance, jack mower up until deck weight is off the jack stands.
10. Remove jack stands and then lower mower weight onto its front wheels.
11. Remove lift bracket and screw jack from jack retainer. Store bracket with jack in a convenient location for future reuse.
12. Remove wheel chocks.



Mower Jack Assembly (ZT Series Mower Shown)
Figure 2

Kit No. 357-209A

Mower Jack, ZXT & ZT Series

Item	Part No.	Part Description	Qty
Refer to Figure 2:			
1	357-503D	JACK RETAINER	1
2	802-297C	HEX HEAD CAP SCREW 3/8"-16 x 1 3/4" GR8	1
3	357-208H	LIFT BRACKET	1
4	890-245C	SCREW JACK 2000# 15-30	1
5	805-334C	PIN CLEVIS 5/8" x 3 1/2" PLT	1
6	805-032C	PIN HAIR COTTER .148 WIRE	1

Corporate Office: P.O. Box 5060
Salina, Kansas 67402-5060 USA
www.landpride.com