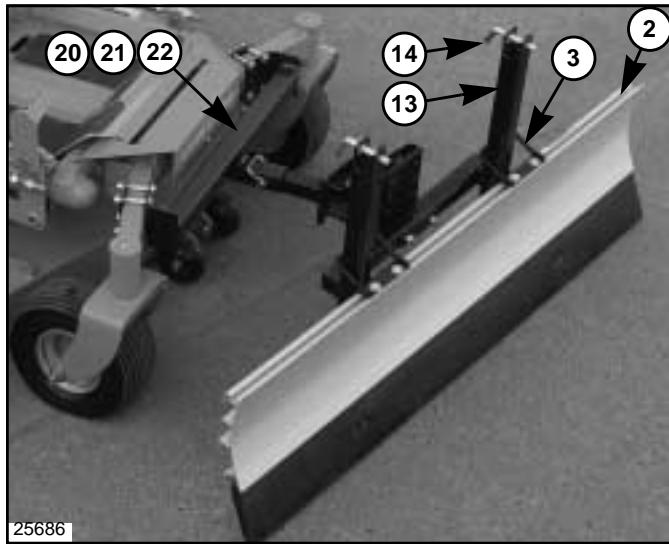


# Front Snow Blade Assembly Instructions

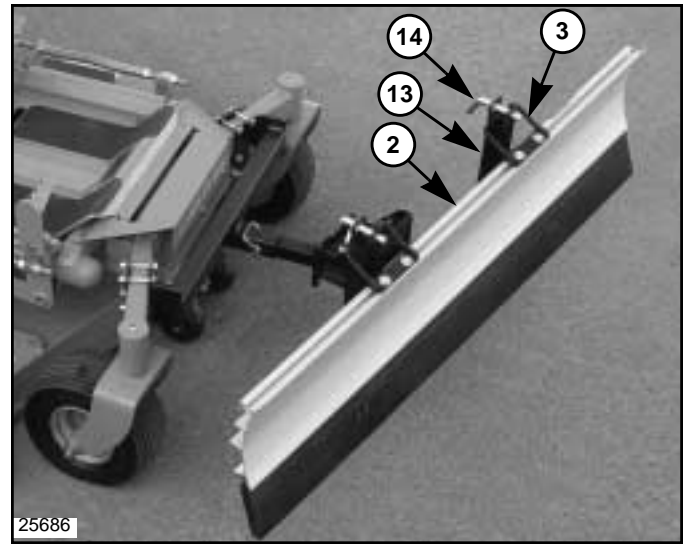


For Razor Z44 & Z52, ZXT54 & ZXT60 & Accu-Z ZT60 & ZT72

Manual No. 357-236M



Snow Blade Assembly (Blade Down To Push Snow)  
Figure 1



Snow Blade Assembly (Blade Up To Transport)  
Figure 2

## Before You Start



When you see this symbol, the subsequent instructions and warnings are serious - follow without exception. Your life and the lives of others depend on it!

**IMPORTANT:** Before you begin, read these instructions and check to be sure all parts and tools are accounted for. Please retain these installation instructions for future reference and parts ordering information.

Your Snow Blade is designed for Land Pride Z44, Z52, ZXT54, ZXT60, ZT60 & ZT72 Zero Turn Mowers. Please read these installation instructions and your mower Operator's Manual thoroughly before beginning. Especially read information relating to safety concerns.

A separate Parts Manual for the Zero Turn Mower is available free of charge at [www.landpride.com](http://www.landpride.com) or can be purchased from your nearest Land Pride dealer. Have the model and serial number of your Zero Turn Mower handy when placing an order.

### Manual Part Numbers:

#### Z44 & Z52 Zero Turn Mowers

- Operator's Manual ..... 357-187M
- Parts Manual ..... 357-044P

#### ZXT54 & ZXT60 Zero Turn Mowers

- Operator's Manual ..... 357-271M
- Parts Manual ..... 357-271P

#### ZT60 & ZT72 Zero Turn Mowers

- Operator's Manual ..... 357-044M
- Parts Manual ..... 357-044P

## General Information

These assembly instructions apply to the accessories listed below:

- 357-243A 60" Snow Blade**
- 357-244A 72" Snow Blade**
- 357-245A Razor Z Snow Blade Mounting Kit**
- 357-246A ZT60 Snow Blade Mounting Kit**
- 357-247A ZT72 & ZXT Pro Snow Blade Mounting Kit**

### Tools required:

- 3/8" Power drill with 5/16" drill bit
- One 7/16" & two 3/4" wrenches
- 9/16" socket with ratchet wrench
- Tape measure, marking pencil & protective eye wear

## Further Assistance

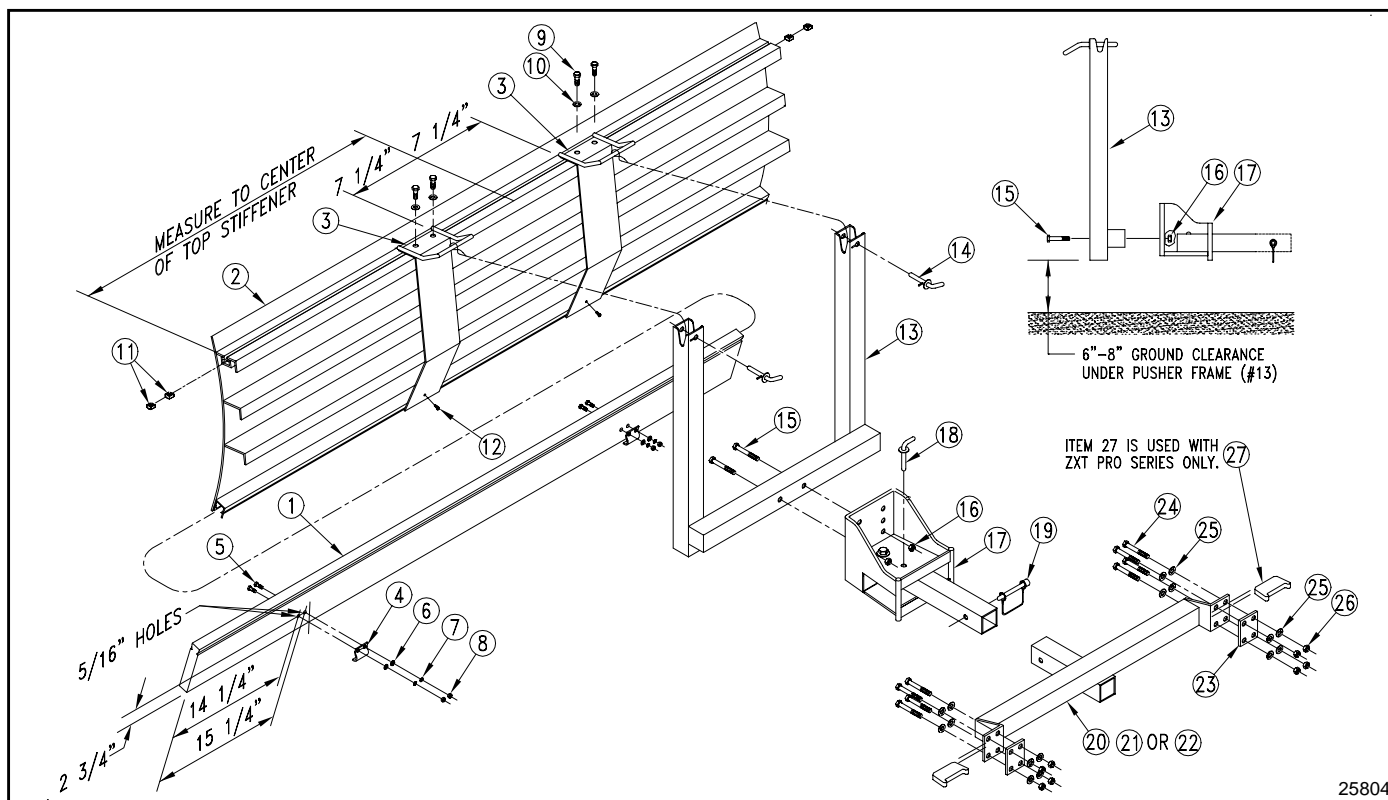
Your dealer wants you to be satisfied with your new Snow Blade. If for any reason you do not understand any part of this manual or are not satisfied with the service received, the following actions are suggested:

1. Discuss the matter with your dealership service manager. Make sure he has had time to assist you.
2. If you are still not satisfied, seek out the owner or general manager and explain the problem.
3. For further assistance write to:

**Land Pride Service Department**  
**1525 East North Street**  
 P.O. Box 5060  
 Salina, Ks. 67402-5060

E-mail address  
[lp servicedept@landpride.com](mailto:lp servicedept@landpride.com)

## Assembly Instructions



Snow Blade Installation  
Figure 3

## Assembly Instructions

A detailed listing of parts is provided on page 3. Use the lists as a checklist to inventory parts received. Please contact your local Land Pride dealer for any missing hardware.

### Initial Preparations

1. Park zero turn mower on a flat level surface.
2. Disengage blade engagement switch.
3. Place both control levers in park position.
4. Throttle back to low idle for one minute to allow accumulated raw fuel to escape muffler during engine slow down.
5. Rotate ignition key counter-clockwise to **(OFF)** position.
6. Remove key from switch before leaving the seat.

### Installation of Snow Blade

Refer to Figure 3:

1. Mark 14 1/4" and 15 1/4" from each end of rubber blade (#1) and 2 3/4" up from the bottom. Drill four 5/16" holes at the marked locations.
2. Attach skid brackets (#4) to rubber blade with four 1/4" x 1 1/2" bolts (#5), flat washers (#6), lock washers (#7) and hex nuts (#8).
3. Tighten 1/4" nuts to draw the bolt heads into the rubber blade until the heads are flush with the blade.
4. Align groove in rubber blade (#1) with groove in moldboard (#2) and then slide rubber blade into moldboard until both ends are flush with moldboard.

5. Locate and mark the center of the top moldboard stiffener. Locate slide hinges (#3) 7 1/4" away from the center mark as shown.
6. Insert four 3/8" square nuts (#11) with flat sides up into channel slot in top stiffener.
7. Attach slide hinges (#3) to top stiffener with 3/8" x 3/4" bolts (#9), flat washer (#10) and square nuts (#11). Tighten bolts to 20 ft-lbs.
8. Make sure rubber blade is flush on both ends of moldboard. Using bottom holes in slide hinges as guides, drill 5/16" pilot holes through back wall of lower stiffener and into rubber blade. **Do Not** drill through front wall of stiffener and blade.
9. Attach bottom of slide hinge with 3/8" x 1" self threading bolts (#12). Tighten bolts to 20 ft-lbs.
10. Center and attach receiver hitch (#20, 21 or 22) on mower front pivot axle as shown in Figure 1 on pg. 1 with 3/8" x 2 1/2" hex head bolts (#24), flat washers (#25), back plates (#23), flat washers (#25) and hex lock nuts (#26). Do not tighten bolts.
11. **ZXT Pro Series only.** Insert 1/2" spacer bar (#27) under the top 3/8" bolts (#24) at both ends of the receiver hitch with tabs facing to the rear as shown.
12. Tighten 3/8" bolts (#24) to 31 ft-lbs.
13. Attach angle interceptor (#17) to receiver hitch with wire lock pin (#19).
14. Rotate angle interceptor straight and insert swivel pin (#18).

**Continue with instructions on page 4.**

## Assembly Instructions

### Listing of Parts

Refer to Figure 3 on page 2:

<b>Kit No. 357-243A      60" SNOW BLADE</b>			
	40400	60" Blade Box . . . . .	1
	40666	Interceptor Kit . . . . .	1
	40700	Push Frame Kit . . . . .	1
<b>Kit No. 357-244A      72" SNOW BLADE</b>			
	40410	72" Blade Box . . . . .	1
	40666	Interceptor Kit . . . . .	1
	40700	Push Frame Kit . . . . .	1
<b>Kit No. 40400      60" Blade Box</b>			
1	40725	60" Rubber Cutting Edge . . . . .	1
2	40771	60" Moldboard . . . . .	1
3	40743	Slide Hinge . . . . .	2
	40731	Blade Box Hardware Kit (Includes Items 4 to 12) . . . . .	1
<b>Kit No. 40410      72" Blade Box</b>			
1	40894	72" Rubber Cutting Edge . . . . .	1
2	40871	72" Moldboard . . . . .	1
3	40743	Slide Hinge . . . . .	2
	40731	Blade Box Hardware Kit (Includes Items 4 to 12) . . . . .	1
<b>Kit No. 40731      Blade Box Hardware Kit</b>			
4	40799	Skid Bracket . . . . .	2
5	802-868C	Carriage Bolt, 1/4"-20 x 1 1/2" GR5 Zinc . . . . .	4
6	804-039C	Flat Washer, 1/4" . . . . .	4
7	804-030C	Lock Washer, 1/4" . . . . .	4
8	803-006C	Hex Nut 1/4"-20 . . . . .	4
9	802-014C	Hex Head Cap Screw, 3/8"-16 x 3/4" GR5 PLT . . . . .	4
10	804-011C	Washer, 3/8" USS PLT . . . . .	4
11	803-124C	Square Nut, 3/8"-16 GR2 Zinc . . . . .	4
12	802-869C	3/8" x 16 x 1" Self Tapping Bolt . . . . .	2
<b>Kit No. 40700      Push Frame Kit</b>			
13	40687	Push Frame . . . . .	1
14	30489	Keyhole Pin . . . . .	2
15	802-041C	Hex Head Cap Screw, 1/2"-13 x 3 1/2" GR5 PLT . . . . .	2
16	803-019C	Hex Lock Nut, 1/2"-13 PLT . . . . .	2
<b>Kit No. 40666      Angle Interceptor Kit</b>			
17	40683	Angle Interceptor . . . . .	1
18	20608	Swivel Pin . . . . .	1
19	10888	Lock Pin . . . . .	1
<b>Kit No. 357-245A      Razor Z Snow Blade Mounting Kit</b>			
20	50899	Z44/Z52 Receiver Hitch . . . . .	1
23	50893	Back Plate . . . . .	2
24-26	50897	Z Hardware Kit (Includes Items 24 to 26) . . . . .	1
<b>Kit No. 357-246A      AccuZ ZT60 Snow Blade Mounting Kit</b>			
21	50872	ZT60 Receiver Hitch . . . . .	1
23	50888	Clamp Plate . . . . .	2
24-26	50869	ZT & ZXT Hardware Kit (Includes Items 24 to 26) . . . . .	1
<b>Kit No. 357-247A      AccuZ ZT72 &amp; ZXT Pro Snow Blade Mounting Kit</b>			
22	50987	ZT72 & ZXT Receiver Hitch . . . . .	1
23	50888	Clamp Plate . . . . .	2
24-26	50869	ZT & ZXT Hardware Mounting Kit (Includes Items 24 to 26) . . . . .	1
27	60170	Spacer Kit, Used with ZXT Pro Series only (Includes 2 spacers) . . . . .	1
<b>Kit No. 50897      Z Hardware Mounting Kit</b>			
24	802-024C	3/8"-16 x 3" GR5 Hex Head Bolt . . . . .	8
25	804-011C	3/8" USS Flat Washer . . . . .	16
26	803-078C	3/8"-16 Nylock Nut . . . . .	8
<b>Kit No. 50869      ZT &amp; ZXT Hardware Mounting Kit</b>			
24	802-168C	3/8"-16 x 3 1/4" GR5 Hex Head Bolt . . . . .	8
25	804-011C	3/8" USS Flat Washer . . . . .	16
26	803-078C	3/8"-16 Nylock Nut . . . . .	8

## Snow Blade Operation

**NOTE:** High clearance vehicles may require angle interceptor installed upside down to achieve 6" to 8" clearance between push frame and ground surface.

- Align push frame (#13) with bolt pattern on angle interceptor that provides 6" to 8" ground clearance. Secure with 1/2" x 3 1/2" hex head bolts (#15) and lock nuts (#16). Tighten nuts to 49 ft-lbs.
- Hang moldboard slide hinges (#3) in grooves on top of push frame. Secure with keyhole pins (#14). Make sure handle is down and locked in key hole slot.

## Snow Blade Operation

### Safety Guide Lines



### CAUTION

- Always dress to stay warm in cold weather. Never allow your body or extremities to become too cold. If you are getting cold, go inside to warm-up before continuing.
- Always be aware of pedestrian and vehicle traffic. Move snow during low-traffic hours. Always exercise safety, courtesy and common sense.
- Always transport with blade in its support brackets and the transport key hole pins in lock position.
- Don't transport faster than 10 MPH.
- Don't plow snow faster than 5 MPH.
- Never pile snow on someone else's property, streets or sidewalks.
- Never pile snow near fire hydrants, mailboxes, water drains, electrical boxes, handicapped and parking areas.
- Never pile snow where it obstructs visibility of traffic.
- Check with local regulations before pushing snow across roadways. This may be illegal in your area.

### Angling The Snow Blade

Refer to Figure 3 on page 2:

The Snow Blade can be set-up to push snow straight, angle snow to the right or to the left. Make this adjustment with the blade up.

- Remove swivel pin (#18).
- Position blade straight or angle blade fully to the right or to the left.
- Return swivel pin.

### Lowering Blade To Push Snow

Refer to Figure 1 & Figure 2 on page 1:

- From behind moldboard (#2), remove keyhole pin (#14) from one side.
- Lift that side of moldboard up until slide hinge (#3) fits over vertical push bar (#13). Lower moldboard down to ground level and reinsert keyhole pin (#14).
- Repeat steps 1 and 2 above for the other side.

### Pushing Snow With Blade

**IMPORTANT:** When pushing snow into a pile, always do so with blade in the straight forward position. Piling snow with blade angled can damage the Snow Blade and Zero Turn Mower.

- Drive forward slowly to engage blade for pushing.
- Back up to disengage blade and to realign for the next push.
- Repeat steps 1 and 2 above until the job is finished.

### Raising Blade To Transport

Refer to Figure 1 & Figure 2 on page 1:

- From behind moldboard (#2), remove keyhole pin (#14) from one side.
- Lift that side of moldboard up to place slide hinge (#3) in groove on top of push frame (#13).
- Reinsert keyhole pin (#14). Make sure handle is down and locked in keyhole slot.
- Repeat steps 1 to 3 above for the other side.

### Storing The Snow Blade

Protect rubber blade from the sun's rays by storing it inside a building or by covering the unit with material that stops sun light.

### Operating Guide Lines

Removing snow with your Snow Blade can be made easier by following some simple guide lines.

- Allow any blade that is kept in warm storage to cool before moving snow. Snow will freeze to a warm blade making snow removal difficult.
- Stay current with your snow removal. Fresh snow is much easier to remove.
- Push first snows far enough away to allow space for future snow falls.
- Never push more snow than what the equipment can easily handle. Make extra passes to prevent overloading equipment.
- Snow that has become deep and/or compacted may require several passes.
- Accelerate slowly when starting a pass to allow time for tire traction and for snow to accumulate in front of the blade.
- Reduce speed when coming to the end of a pass and when as needed.
- Don't overload equipment. Push only as much snow as equipment can safely and easily handle. Be aware of equipment overheating. Allow time for equipment to cool if it is overheating.



Corporate Office: P.O. Box 5060  
Salina, Kansas 67402-5060 USA  
www.landpride.com