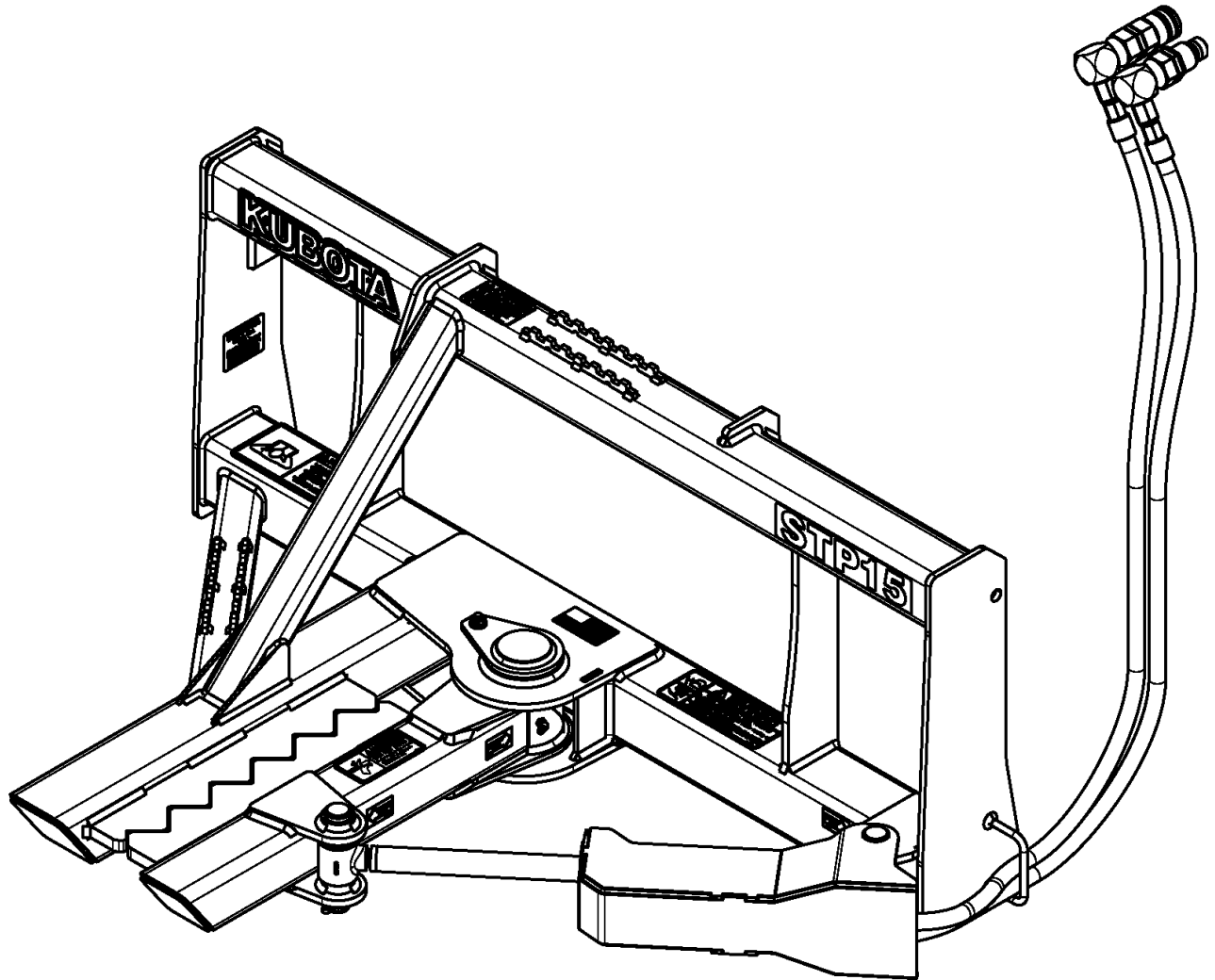


# Tree/Post Puller

AP-STP15



37688

**328-222PK**  
**Parts Manual**

**Kubota**®



Read the Operator's Manual entirely. When you see this symbol, the subsequent instructions and warnings are serious - follow without exception. Your life and the lives of others depend on it!

© Copyright 2019 Printed 07/16/19

*Cover photo may show optional equipment not supplied with standard unit.*



# Table of Contents

---

|                                     |           |
|-------------------------------------|-----------|
| <b>Section 1: Introduction.....</b> | <b>4</b>  |
| Using This Manual.....              | 4         |
| Manual Replacement Information..... | 4         |
| Manual Revisions.....               | 4         |
| Touch-up Paint.....                 | 4         |
| Hardware Legend.....                | 5         |
| Replacement Hardware.....           | 5         |
| Serial Numbers.....                 | 5         |
| Part Number Service Coding.....     | 5         |
| <b>Section 2: Frame.....</b>        | <b>6</b>  |
| Frame & Pincher Arm.....            | 6         |
| <b>Section 3: Hydraulics.....</b>   | <b>8</b>  |
| Hydraulic Assembly.....             | 8         |
| Hydraulic Cylinder (851-334C).....  | 10        |
| <b>Section 4: Decals.....</b>       | <b>12</b> |
| Decal Placement.....                | 12        |
| Kubota Touch-up Paints.....         | 14        |
| <br>                                |           |
| <b>Part Number Index.....</b>       | <b>16</b> |

© Copyright 2019. All rights reserved.

Kubota provides this publication “as is” without warranty of any kind, either expressed or implied. While every precaution has been taken in the preparation of this manual, Kubota assumes no responsibility for errors or omissions. Neither is any liability assumed for damages resulting from the use of the information contained herein. Kubota reserves the right to revise and improve its products as it sees fit. This publication describes the state of this product at the time of its publication, and may not reflect the product in the future. The illustrations in this manual are not intended for safe and proper assembly or disassembly of equipment. The illustrations are intended for ordering parts only.

Kubota is registered trademark.

All other brands and product names are trademarks or registered trademarks of their respective holders.

*Printed in the United States of America.*



# Alphabetized Table of Contents

---

|                                    |    |
|------------------------------------|----|
| <b>D</b>                           |    |
| Decal Placement.....               | 12 |
| <b>F</b>                           |    |
| Frame & Pincher Arm.....           | 6  |
| <b>H</b>                           |    |
| Hydraulic Assembly.....            | 8  |
| Hydraulic Cylinder (851-334C)..... | 10 |
| <b>K</b>                           |    |
| Kubota Touch-up Paints.....        | 14 |

# General Information

## Using This Manual

This manual is divided into sections. The first section contains General Information. The remaining sections divide the machine into segments (i.e. Frames, Drives, Hydraulics, etc.) which illustrate and list all parts. A Parts Number Index is located at the back of the book.

The Kubota parts in this manual are specially designed for this machine and should be replaced with Kubota parts only.

The information in this manual is current at time of printing. Some parts may change to assure top performance.

Right-hand and left-hand as used in this manual are determined by facing the direction the machine will travel while in use.

Below is an example of two facing pages from a parts manual. Familiarize yourself with the type of information contained on these pages.

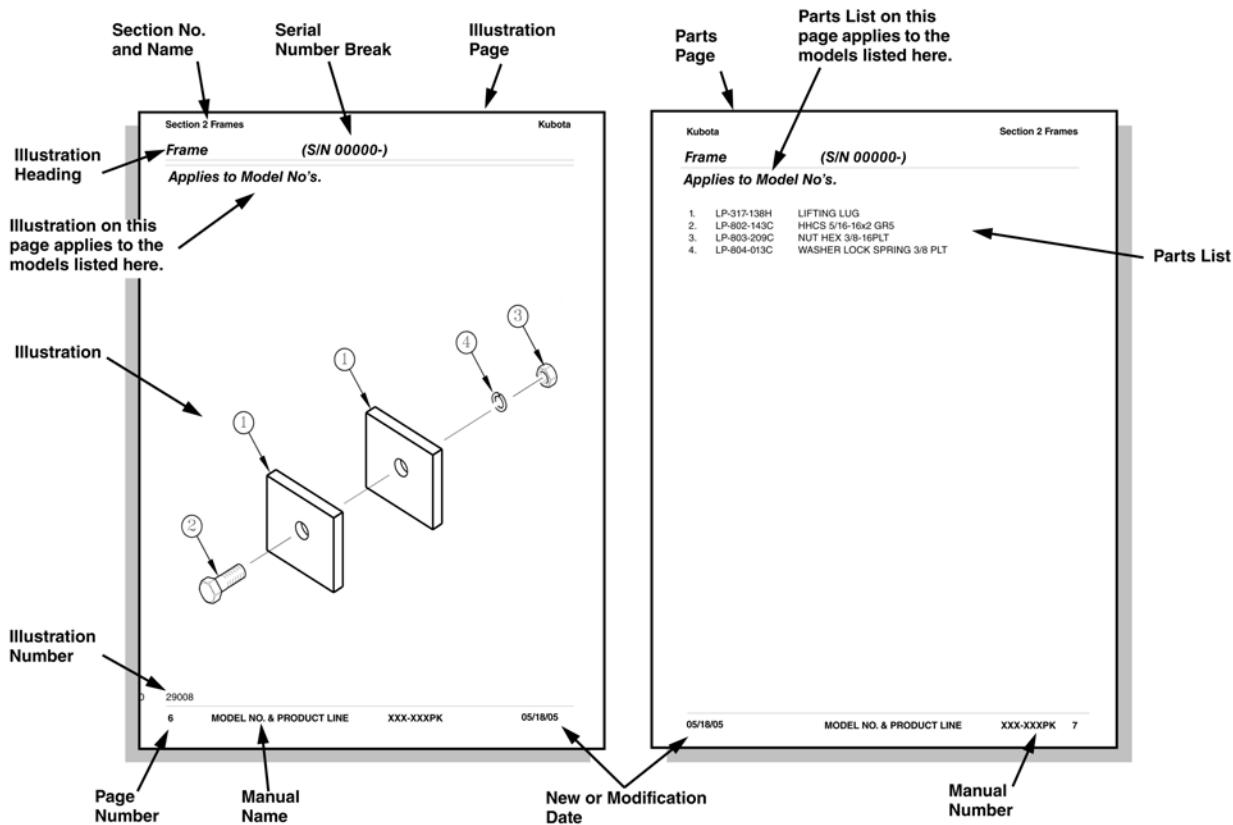
## Manual Replacement Information

Replacement manuals are available. Refer to our website at [www.landpride.com](http://www.landpride.com) for additional information. Our website continues to provide the most up-to-date manuals available.

## Touch-up Paint

Repaint parts where paint is worn or scratched to prevent rust. Aerosol cans and touch-up bottles with brush applicator are available through your local dealer. Also available are quart and gallon size paints. Add QT or GL to end of the Aerosol P/N.

Kubota color descriptions and part numbers are listed on the "Kubota Touch-up Paints" page in the "Decals" section of this book.



# General Information

## Hardware Legend

|          |  |
|----------|--|
| AR       | As Required                                      |
| BLADE    | Blade Bolt                                       |
| C        | Cap Screw  |
| CP       | Cotter Pin                                       |
| CPHSSS   | Cup Point Hex Socket Set Screw                   |
| CPSHSS   | Cup Point Square Head Set Screw                  |
| CPSQHSS  | Cup Point Square Head Set Screw                  |
| CRFCHMS3 | Cross Recess Flat Countersunk Head Machine Screw |
| CRPHMS   | Cross Recess Pan Head Machine Screw              |
| CRPHTFS  | Cross Recess Pan Head Thread Forming             |
| CRRHMS   | Cross Recess Round Head Machine Screw            |
| CRTHMS   | Cross Recess Truss Head Machine Screw            |
| CSNB     | Countersunk Square Neck Bolt                     |
| FHMS     | Flat Head Machine Screw                          |
| FTC      | Full Thread Cap Screw                            |
| H        | Hex Nut  |
| HCLN     | Hex Center Lock Nut                              |
| HFLCS    | Hex Flange Lock Cap Screw                        |
| HFS      | Hex Flange Screw                                 |
| HFSLN    | Hex Flange Serrated Lock Nut                     |
| HFSS     | Hex Flange Serrated Screw                        |
| HHCS     | Hex Head Cap Screw or Metric Bolt                |
| HSBHCS   | Hex Socket Button Head Cap Screw                 |
| HSFCHCS  | Hex Socket Flat Countersunk Head Cap Screw       |
| HSHCS    | Hex Socket Head Cap Screw                        |
| HSSS     | Hex Socket Head Screw                            |
| HTLN     | Hex Top Lock Nut                                 |
| HWHCS    | Hex Washer Head Cap Screw                        |

|                |   |
|----------------|---|
| HWHMS          | Hex Washer Head Machine Screw               |
| HXBHCS         | Hex Socket Button Head Cap Screw            |
| J              | Hex Jam Nut                                 |
| JIC            | 37 Degree Tapered Thread                    |
| L              | Helical Spring Lock Washer                  |
| LUG            | Lug Bolt                                    |
| NFC            | National Fine Cap Screw                     |
| NPSM           | National Pipe Straight Mechanical           |
| NPTF           | National Pipe Taper Fuel                    |
| P              | Wide Plain Washer                           |
| PHMS           | Pan Head Machine Screw                      |
| PLOW           | Plow Bolt                                   |
| RHMS           | Round Head Machine Screw                    |
| RHSNB          | Round Head Square Neck Bolt                 |
| SCREW LEVELING | Leveling Screw                              |
| SCREW THUMB    | Thumb Screw                                 |
| SCREW WELD     | Weld Screw                                  |
| SFCHMS         | Slotted Flat Countersunk Head Machine Screw |
| SFHMS          | Slotted Fillister Head Machine Screw        |
| SP             | Special                                     |
| SP SCREW       | Special Screw                               |
| SQHSS          | Square Head Set Screw                       |
| SRHMS          | Slotted Round Head Machine Screw            |
| SSS            | Socket Set Screw                            |
| STCS           | Self Tapping Cap Screw                      |
| STHMS          | Slotted Truss Head Machine Screw            |
| WHEEL          | Wheel Studs and Hub Long Bolts              |
| WING           | Wing Bolt                                   |

## Replacement Hardware

The **Hardware Legend** above lists hardware abbreviations used in the parts list. All bolts and nuts are Grade 5 unless otherwise noted. The use of improper grades of hardware can result in personal injury, damage to equipment, or loss of property.

## Part Number Service Coding

Within the parts list some part numbers are coded for revisions and interchangeability. See notations in revision column.

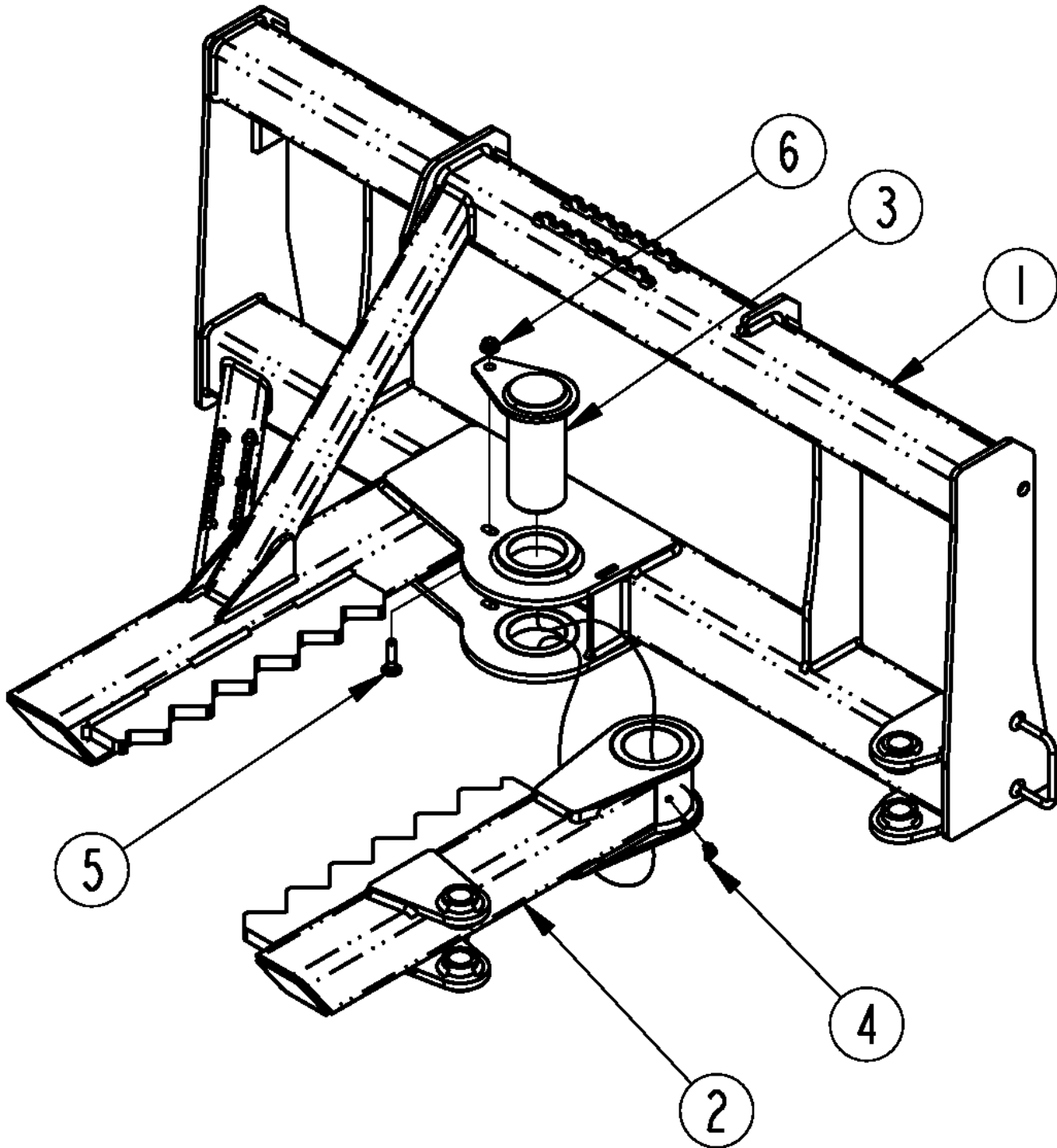
### Serial Numbers

Always use the serial and model number when ordering parts. Refer to the Operator's Manual for serial number plate location.

- (S/N 20001+)                      Includes serial numbers 20001 and above (to the latest number)
- (S/N 10001 to 20000)           Includes serial numbers between and including 10001 and 20000
- (S/N 10000-)                      Includes serial numbers 10000 and below (to the earliest number)

### Frame & Pincher Arm

Applies to AP-STP15



37301

**Frame & Pincher Arm**

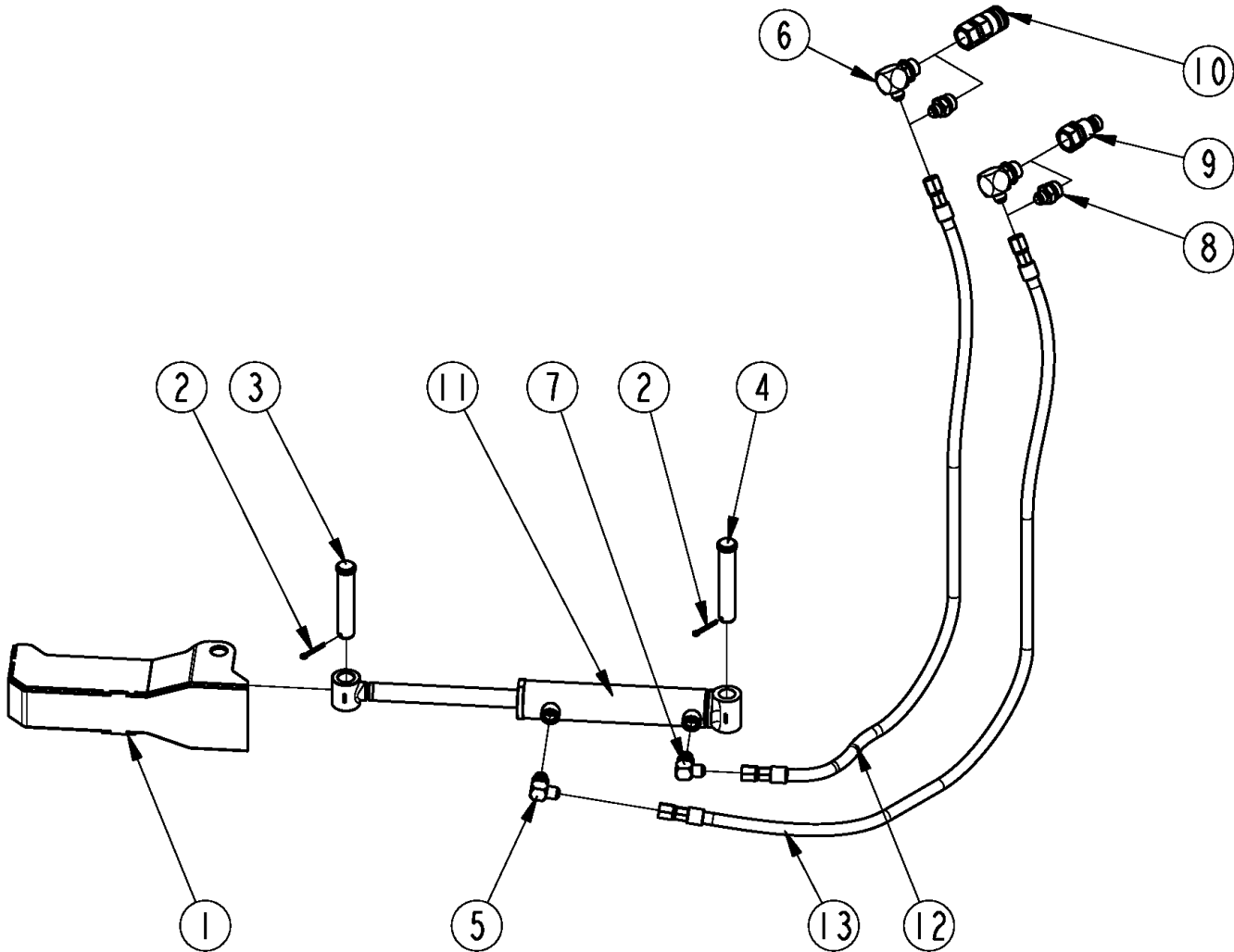
---

**Applies to AP-STP15**

| <b>Ref</b> | <b>Part No.</b> | <b>Part Description</b>       | <b>Comments</b> | <b>Revision</b> |
|------------|-----------------|-------------------------------|-----------------|-----------------|
|            | Dwg 37301       | Drawing Image Number          |                 |                 |
| 1.         | 328-216H        | WMT, STP15 FRAME              |                 |                 |
| 2.         | 328-217H        | WMT, PINCER ARM               |                 |                 |
| 3.         | 328-221H        | WMT, MAIN PVT PIN             |                 |                 |
| 4.         | 800-136C        | ZERK 1/4-28 X 45 DEG SELF-TAP |                 |                 |
| 5.         | 802-453C        | RHSNB 3/8-16X1 1/2 GR5        |                 |                 |
| 6.         | 803-198C        | NUT HEX WHIZ 3/8-16 PLT       |                 |                 |

# Hydraulic Assembly

Applies to AP-STP15



37302

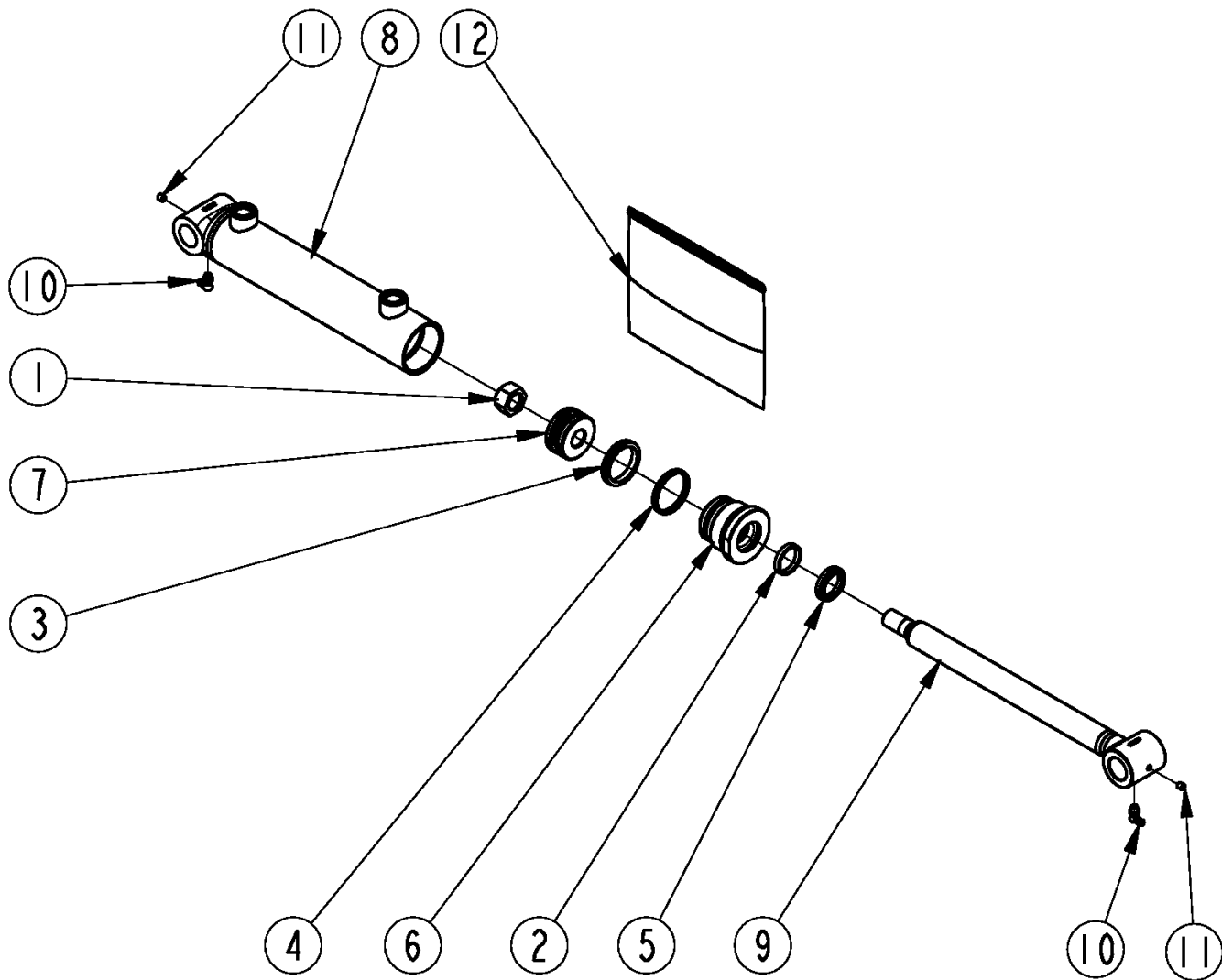


**Hydraulic Assembly****Applies to AP-STP15**

| <b>Ref</b> | <b>Part No.</b> | <b>Part Description</b>        | <b>Comments</b> | <b>Revision</b> |
|------------|-----------------|--------------------------------|-----------------|-----------------|
|            | Dwg 37302       | Drawing Image Number           |                 |                 |
| 1.         | 328-223H        | SHIELD, STP15 CYL              |                 |                 |
| 2.         | 805-104C        | PIN COTTER 3/16 X 1 1/2 PLT    |                 |                 |
| 3.         | 805-131C        | PIN CLVS 1.0X4.69 USBL         |                 |                 |
| 4.         | 805-527C        | PIN CLVS 1.0X5.19 USBL GR5     |                 |                 |
| 5.         | 811-063C        | EL 3/4MJIC 3/4MORB             |                 |                 |
| 6.         | 811-091C        | EL 3/4MJIC 1 1/16MORB          |                 |                 |
| 7.         | 811-153C        | OREL 1/16 3/4MJIC 3/4MORB      |                 |                 |
| 8.         | 811-205C        | AD 3/4MJIC 1 1/16MORB          |                 |                 |
| 9.         | 851-947C        | CUP 1 1/16FORB MALE QUICK CPLR |                 |                 |
| 9.         | 811-744C        | RPBY 851-947c                  | Obsolete        |                 |
| 10.        | 851-948C        | CUP 1 1/16FORB FML QUICK CPLR  |                 |                 |
| 10.        | 811-745C        | RPBY 851-948c                  | Obsolete        |                 |
| 11.        | 851-334C        | CYL, 2X8X1.12 ROD WLD          |                 |                 |
| 12.        | 851-335C        | HH1/2R2 059 3/4FJIC TC         |                 |                 |
| 13.        | 851-336C        | HH1/2R2 061 3/4FJIC TC         |                 |                 |

# Hydraulic Cylinder (851-334C)

Applies to AP-STP15



37303

**Hydraulic Cylinder (851-334C)****Applies to AP-STP15**

| <b>Ref</b> | <b>Part No.</b>       | <b>Part Description</b>                            | <b>Comments</b>            | <b>Revision</b> |
|------------|-----------------------|--|----------------------------|-----------------|
|            | Dwg 37303<br>851-334C | Drawing Image Number<br>CYL, 2X8X1.12 ROD WLD<br>* |                            |                 |
| 1.         | 130556                | MON PISTON NUT                                     |                            |                 |
| 2.         | n/a                   | MON SEAL HALLITE 605 ROD 1.13                      | AVAILABLE IN SEAL KIT # 12 |                 |
| 3.         | n/a                   | MON SEAL PSP PISTON RING 2.00                      | AVAILABLE IN SEAL KIT # 12 |                 |
| 4.         | n/a                   | MON SEAL DUAL 2.00-.208                            | AVAILABLE IN SEAL KIT # 12 |                 |
| 5.         | n/a                   | MON SEAL WIPER ROD 1.125 SNAP                      | AVAILABLE IN SEAL KIT # 12 |                 |
| 6.         | 258510                | MON CYL HEAD 2.00-1.125-THD                        |                            |                 |
| 7.         | 294789                | MON PISTON 2.00-0.75 PSP                           |                            |                 |
| 8.         | 470900                | MON TUBE WMT 2.00-8.00-WX                          |                            |                 |
| 9.         | 496900                | MON ROD WMT 1.12-8.00-.75-WX                       |                            |                 |
| 10.        | 800-073C              | GREASE ZERK 1/4-28 X 90-DEG                        |                            |                 |
| 11.        | 801-045C              | SCREW SET 1/4-28X1/4 KNL CUP                       |                            |                 |
| 12.        | 850-039C              | MON SEAL KIT 644338                                |                            |                 |



***Decal Placement***

---

**Applies to AP-STP15**

| <b>Ref</b> | <b>Part No.</b> | <b>Part Description</b>       | <b>Comments</b> | <b>Revision</b> |
|------------|-----------------|-------------------------------|-----------------|-----------------|
|            | Dwg 37689       | Drawing Image Number          |                 |                 |
| 1.         | 818-190C        | DECAL FLAG                    |                 |                 |
| 2.         | 818-349C        | DECAL GREASE 10 HRS LH        |                 |                 |
| 3.         | 818-402C        | DECAL GREASE 10 HRS RH        |                 |                 |
| 4.         | 818-798C        | DECAL WARNING PINCH POINT GEN |                 |                 |
| 5.         | 838-094C        | DECAL WARNING HYD PRESS LONG  |                 |                 |
| 6.         | 838-293C        | DECAL WARNING READ MANUAL     |                 |                 |
| 7.         | 858-398C        | DECAL KUBOTA 10"              |                 |                 |
| 8.         | 858-491C        | DECAL STP15 WHITE             |                 |                 |
| 9.         | 858-696C        | DECAL, CAUTION 2000 ROC MAX   |                 |                 |

***Kubota Touch-up Paints***

---

Applies to AP-STP15

**No diagram associated with this Parts List**

***Kubota Touch-up Paints***

---

**Applies to AP-STP15**

| <b>Ref</b> | <b>Part No.</b> | <b>Part Description</b>  | <b>Comments</b> | <b>Revision</b> |
|------------|-----------------|--------------------------|-----------------|-----------------|
| 1.         | 821-070C        | GLOSS BLACK SPRAY CAN    | All Products    |                 |
| 2.         | 821-070CTU      | GLOSS BLACK TOUCH-UP 5OZ |                 |                 |
| 3.         | 821-070CQT      | GLOSS BLACK QUART        |                 |                 |
| 4.         | 821-070CGL      | GLOSS BLACK GALLON       |                 |                 |



# Part Number Index

---

The Part Number Index is a numeric index of all part numbers included in this manual. The index shows what page(s) the part is used on.

| <u>Part Number</u> | <u>Page</u> |
|--------------------|-------------|
| 130556 .....       | 11          |
| 258510 .....       | 11          |
| 294789 .....       | 11          |
| 328-216H .....     | 7           |
| 328-217H .....     | 7           |
| 328-221H .....     | 7           |
| 328-223H .....     | 9           |
| 470900 .....       | 11          |
| 496900 .....       | 11          |
| 800-073C .....     | 11          |
| 800-136C .....     | 7           |
| 801-045C .....     | 11          |
| 802-453C .....     | 7           |
| 803-198C .....     | 7           |
| 805-104C .....     | 9           |
| 805-131C .....     | 9           |
| 805-527C .....     | 9           |
| 811-063C .....     | 9           |
| 811-091C .....     | 9           |
| 811-153C .....     | 9           |
| 811-205C .....     | 9           |
| 811-744C .....     | 9           |
| 811-745C .....     | 9           |
| 818-190C .....     | 13          |
| 818-349C .....     | 13          |
| 818-402C .....     | 13          |
| 818-798C .....     | 13          |
| 821-070C .....     | 15          |
| 821-070CGL .....   | 15          |
| 821-070CQT .....   | 15          |
| 821-070CTU .....   | 15          |
| 838-094C .....     | 13          |
| 838-293C .....     | 13          |
| 850-039C .....     | 11          |
| 851-334C .....     | 9, 11       |
| 851-335C .....     | 9           |
| 851-336C .....     | 9           |
| 851-947C .....     | 9           |
| 851-948C .....     | 9           |
| 858-398C .....     | 13          |
| 858-491C .....     | 13          |
| 858-696C .....     | 13          |
| Dwg 37301 .....    | 7           |
| Dwg 37302 .....    | 9           |
| Dwg 37303 .....    | 11          |
| Dwg 37689 .....    | 13          |
| n/a .....          | 11          |



***This Page Intentionally Left Blank***



**KUBOTA TRACTOR CORPORATION**

1000 Kubota Drive, Grapevine, TX 76051

Telephone: (817) 756-1171

Western Division: 1175 S. Guild Ave., Lodi, CA 95240  
Telephone: (209) 334-9910

Central Division: 14855 FAA Blvd., Fort Worth, TX 76155  
Telephone: (817) 571-0900

Northern Division: 6300 at One Kubota Way, Groveport, OH 43125  
Telephone: (614) 835-1100

Southeast Division: 1025 Northbrook Parkway, Suwanee, GA 30024  
Telephone: (770) 995-8855

[www.kubota.com](http://www.kubota.com)

---