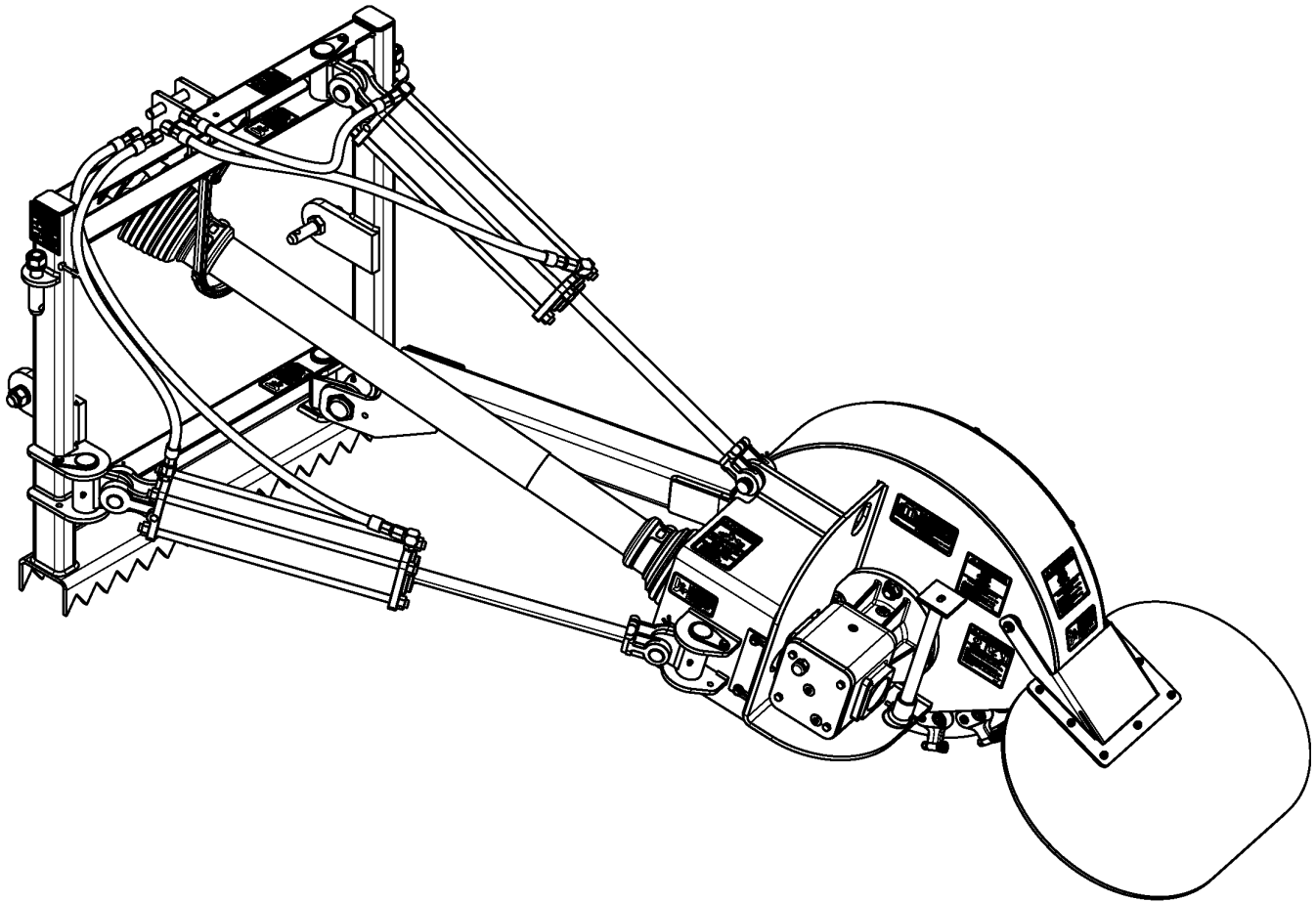


Stump Grinder

GR1525



73159

328-167P
Parts Manual



Read the Operator's Manual entirely. When you see this symbol, the subsequent instructions and warnings are serious - follow without exception. Your life and the lives of others depend on it!

© Copyright 2020 Printed 07/29/20

Cover photo may show optional equipment not supplied with standard unit.





Table of Contents

Section 1: Introduction.....4
Using This Manual.....4
Manual Replacement Information.....4
Manual Revisions.....4
Touch-up Paint.....4
Hardware Legend.....5
Replacement Hardware.....5
Serial Numbers.....5
Part Number Service Coding.....5

GR15 SERIES

Section 2: Hitch & Arm Components.....6
Driveline Hanger (327-143S).....6
Hitch.....8
Pivot & Arm.....8
Manual Tube.....10
Section 3: Rotor & Drive Components.....12
Driveline W/ Slip Clutch (826-673C).....12
Gearbox (826-893C) Comer.....14
Rotor Deflector & Cap.....16
Rotor Drive Components.....18
Rotor Wheel Components (328-172A).....20
Section 4: Hydraulics.....22
Hydraulic Cylinder (810-198C) Red Lion.....22
Lift & Swing Hydraulics.....24
Section 5: Decals.....26
Decal Placement.....26
Touch-up Paints - Kubota.....28
Section 6: Options.....30
Dual Remote Bundle (328-151A).....30
Single Remote Bundle (328-155A).....32

Part Number Index.....34

© Copyright 2020. All rights reserved.

Land Pride provides this publication “as is” without warranty of any kind, either expressed or implied. While every precaution has been taken in the preparation of this manual, Land Pride assumes no responsibility for errors or omissions. Neither is any liability assumed for damages resulting from the use of the information contained herein. Land Pride reserves the right to revise and improve its products as it sees fit. This publication describes the state of this product at the time of its publication, and may not reflect the product in the future. The illustrations in this manual are not intended for safe and proper assembly or disassembly of equipment. The illustrations are intended for ordering parts only.

Land Pride is registered trademark.

All other brands and product names are trademarks or registered trademarks of their respective holders.

Printed in the United States of America.



Alphabetized Table of Contents

GR15 SERIES

D

Decal Placement.....	26
Driveline Hanger (327-143S).....	6
Driveline W/ Slip Clutch (826-673C).....	12
Dual Remote Bundle (328-151A).....	30

G

Gearbox (826-893C) Comer.....	14
-------------------------------	----

H

Hitch, Pivot & Arm.....	8
Hydraulic Cylinder (810-198C) Red Lion.....	22

L

Lift & Swing Hydraulics.....	24
------------------------------	----

M

Manual Tube.....	10
------------------	----

R

Rotor Deflector & Cap.....	16
Rotor Drive Components.....	18
Rotor Wheel Components (328-172A).....	20

S

Single Remote Bundle (328-155A).....	32
--------------------------------------	----

T

Touch-up Paints - Kubota.....	28
-------------------------------	----

General Information

Using This Manual

This manual is divided into sections. The first section contains General Information. The remaining sections divide the machine into segments (i.e. Frames, Drives, Hydraulics, etc.) which illustrate and list all parts. A Parts Number Index is located at the back of the book.

The Land Pride parts in this manual are specially designed for this machine and should be replaced with Land Pride parts only.

The information in this manual is current at time of printing. Some parts may change to assure top performance.

Right-hand and left-hand as used in this manual are determined by facing the direction the machine will travel while in use.

Below is an example of two facing pages from a parts manual. Familiarize yourself with the type of information contained on these pages.

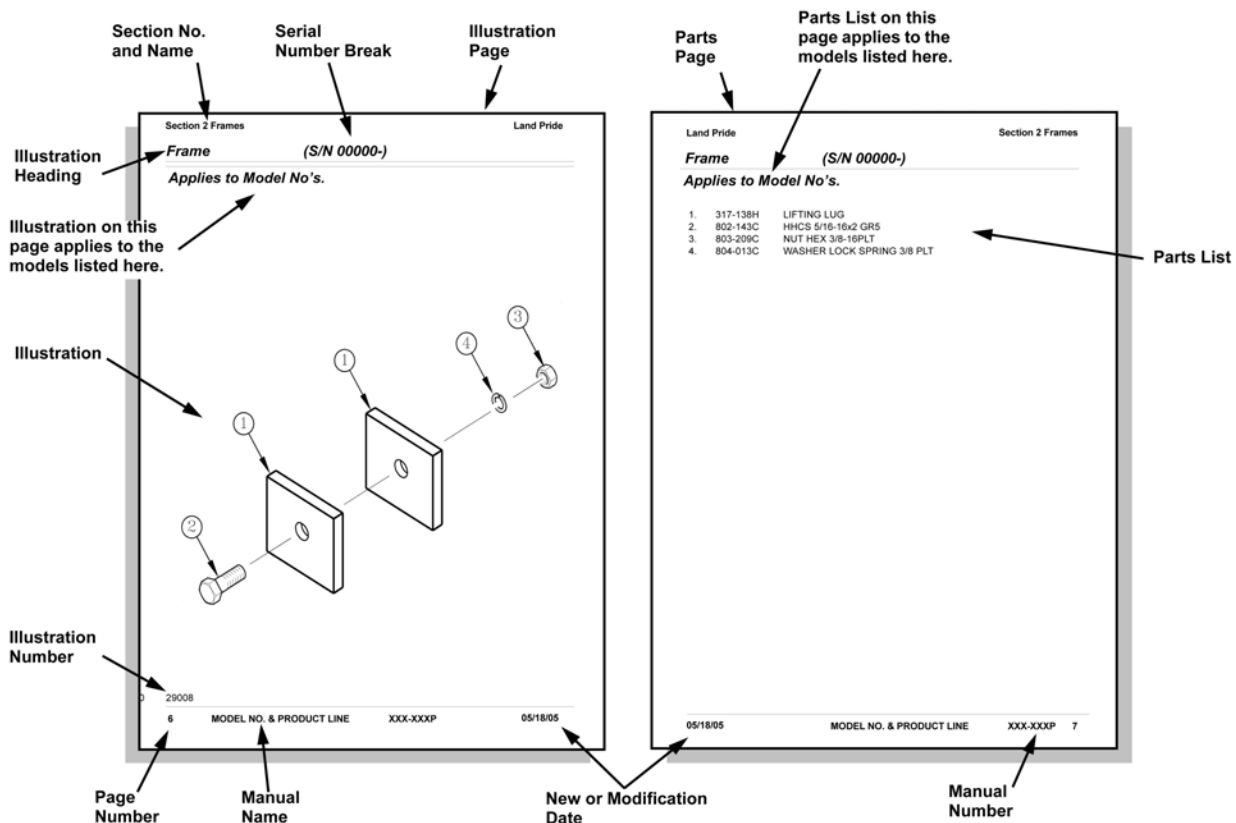
Manual Replacement Information

Replacement manuals are available. Refer to our website at www.landpride.com or e-mail us at lit@landpride.com for additional information. Our website continues to provide the most up-to-date manuals available.

Touch-up Paint

Repaint parts where paint is worn or scratched to prevent rust. Aerosol cans and touch-up bottles with brush applicator are available through your local dealer. Also available are quart and gallon size paints. Add QT or GL to end of the Aerosol P/N.

Land Pride color descriptions and part numbers are listed on the "Land Pride Touch-up Paints" page in the "Decals" section of this book. Color options vary by product.



General Information

Hardware Legend

AR	As Required
BLADE	Blade Bolt
C	Cap Screw
CP	Cotter Pin
CPHSSS	Cup Point Hex Socket Set Screw
CPSHSS	Cup Point Square Head Set Screw
CPSQHSS	Cup Point Square Head Set Screw
CRFCHMS3	Cross Recess Flat Countersunk Head Machine Screw
CRPHMS	Cross Recess Pan Head Machine Screw
CRPHTF	Cross Recess Pan Head Thread Forming
CRRHMS	Cross Recess Round Head Machine Screw
CRTHMS	Cross Recess Truss Head Machine Screw
CSNB	Countersunk Square Neck Bolt
FHMS	Flat Head Machine Screw
FTC	Full Thread Cap Screw
H	Hex Nut
HCLN	Hex Center Lock Nut
HFLCS	Hex Flange Lock Cap Screw
HFS	Hex Flange Screw
HFSLN	Hex Flange Serrated Lock Nut
HFSS	Hex Flange Serrated Screw
HHCS	Hex Head Cap Screw or Metric Bolt
HSBHCS	Hex Socket Button Head Cap Screw
HSFCHCS	Hex Socket Flat Countersunk Head Cap Screw
HSHCS	Hex Socket Head Cap Screw
HSSS	Hex Socket Head Screw
HTLN	Hex Top Lock Nut
HWHCS	Hex Washer Head Cap Screw

HWHMS	Hex Washer Head Machine Screw
HXBHCS	Hex Socket Button Head Cap Screw
J	Hex Jam Nut
JIC	37 Degree Tapered Thread
L	Helical Spring Lock Washer
LUG	Lug Bolt
NFC	National Fine Cap Screw
NPSM	National Pipe Straight Mechanical
NPTF	National Pipe Taper Fuel
P	Wide Plain Washer
PHMS	Pan Head Machine Screw
PLOW	Plow Bolt
RHMS	Round Head Machine Screw
RHSNB	Round Head Square Neck Bolt
SCREW LEVELING	Leveling Screw
SCREW THUMB	Thumb Screw
SCREW WELD	Weld Screw
SFCHMS	Slotted Flat Countersunk Head Machine Screw
SFHMS	Slotted Fillister Head Machine Screw
SP	Special
SP SCREW	Special Screw
SQHSS	Square Head Set Screw
SRHMS	Slotted Round Head Machine Screw
SSS	Socket Set Screw
STCS	Self Tapping Cap Screw
STHMS	Slotted Truss Head Machine Screw
WHEEL	Wheel Studs and Hub Long Bolts
WING	Wing Bolt

Replacement Hardware

The **Hardware Legend** above lists hardware abbreviations used in the parts list. All bolts and nuts are Grade 5 unless otherwise noted. The use of improper grades of hardware can result in personal injury, damage to equipment, or loss of property.

Colored Replacement Parts

Land Pride offers replacement parts in factory standard colors and also on select models in Green, Orange, Red and Blue. Because of the variety of colors available, special attention must be given to the part number to prevent ordering the wrong replacement part.

A suffix number corresponding to one of the colors below must be added at the end of Land Pride's part number when ordering a replacement part with that color.

81 Green 83 Red
82 Orange 84 Blue

For example, if you are ordering a replacement part with part number 555-555C and the part you need is red, then add the suffix 83 to the end of the number to make the part number read 555-555C83. Parts ordered without a suffix number will be supplied in factory standard colors.

Black Replacement Parts

Some parts are factory standard black and some must be special ordered black. If your part is special ordered black, a second part number with the additional suffix number 85 on the end will be available. In this situation you must order that part with the suffix number for it to be black. Parts that are factory standard black will not have the suffix number.

Part Number Service Coding

Within the parts list some part numbers are coded for revisions and interchangeability. See notations in revision column.

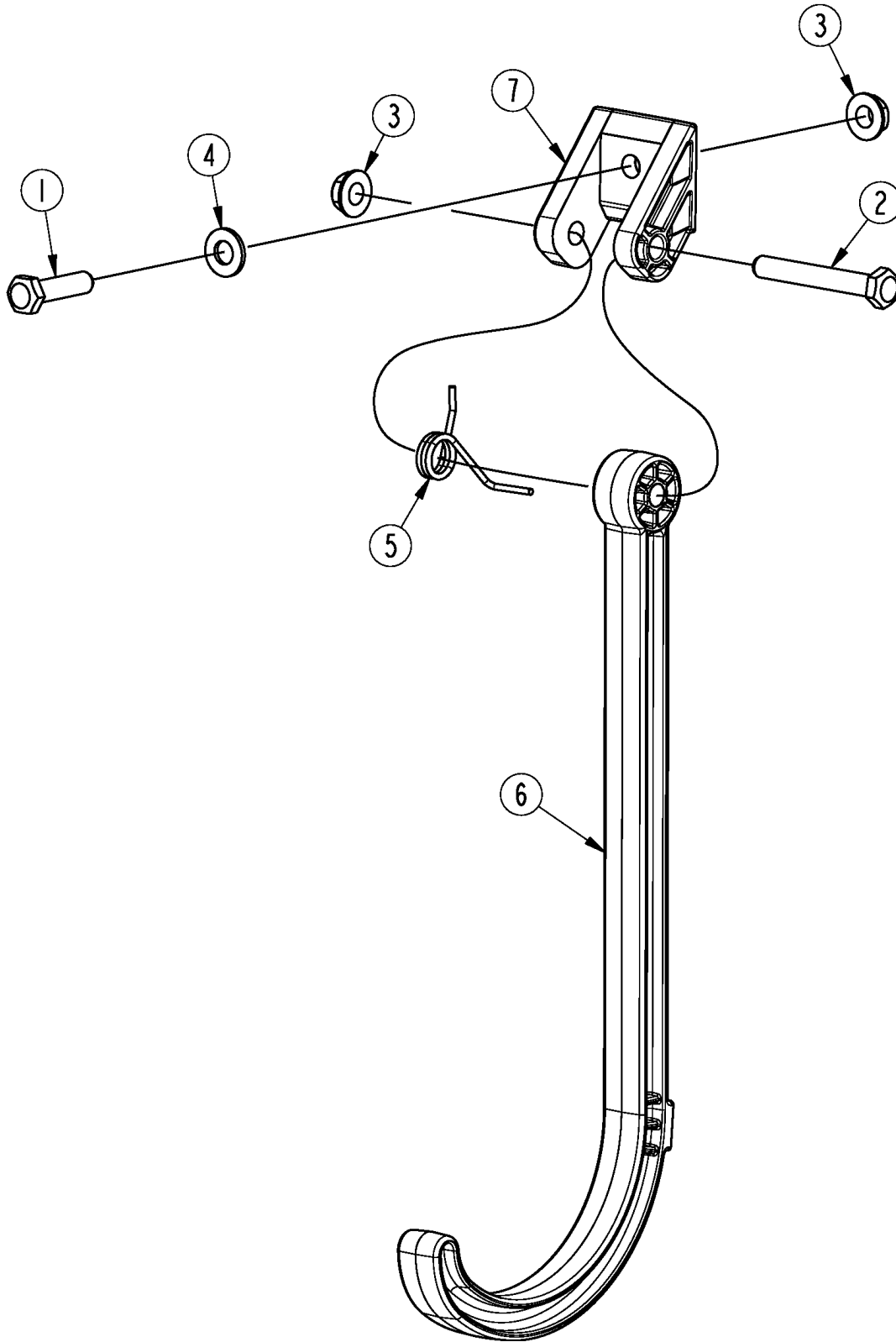
Serial Numbers

Always use the serial and model number when ordering parts. Refer to the Operator's Manual for serial number plate location.

- | | |
|----------------------|--|
| (S/N 20001+) | Includes serial numbers 20001 and above (to the latest number) |
| (S/N 10001 to 20000) | Includes serial numbers between and including 10001 and 20000 |
| (S/N 10000-) | Includes serial numbers 10000 and below (to the earliest number) |

Driveline Hanger (327-143S)

Applies to GR1525



72257

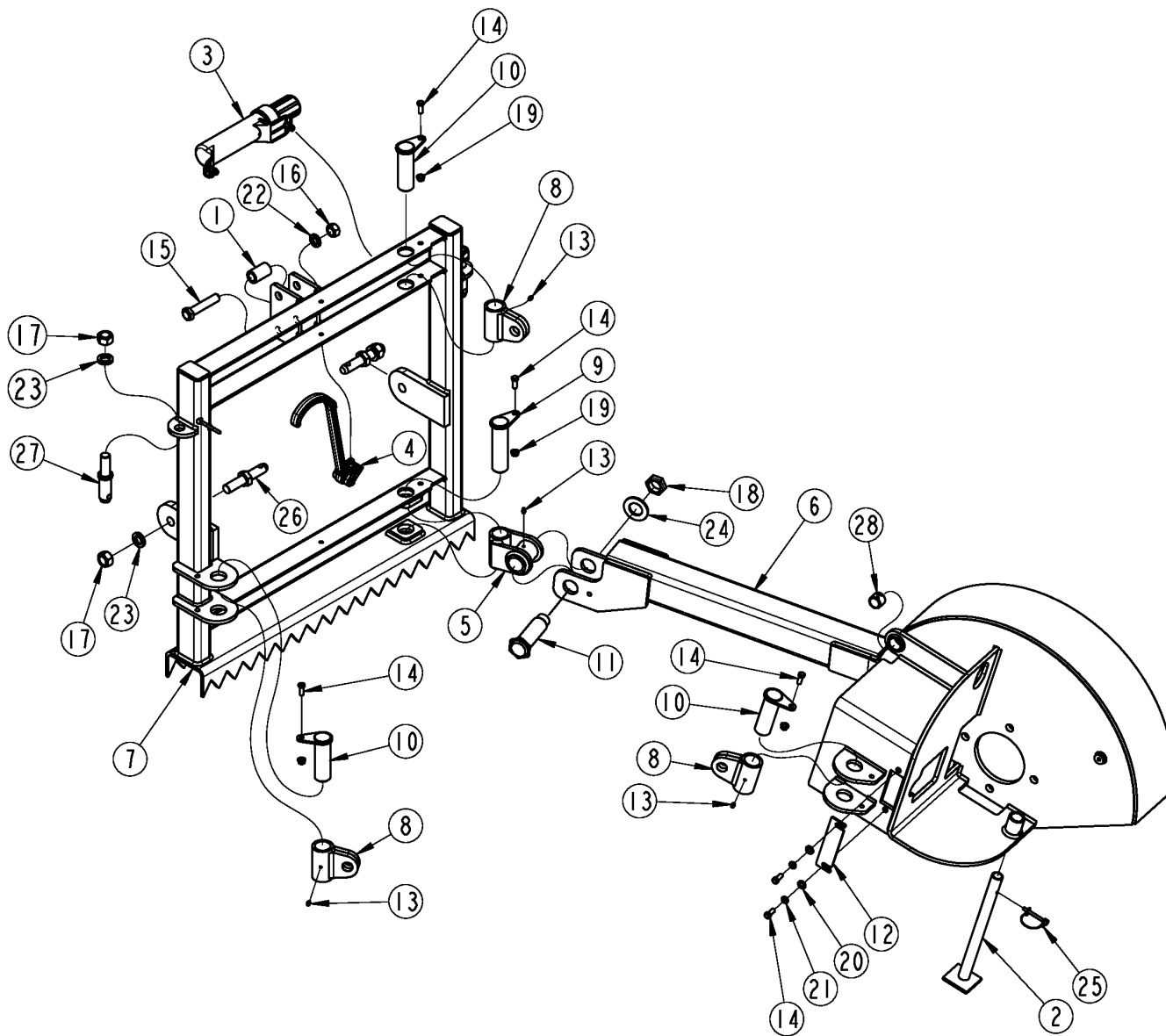
Driveline Hanger (327-143S)

Applies to GR1525

Ref	Part No.	Part Description	Comments	Revision
	Dwg 72257 327-143S	Image No. DRIVELINE HOLDER W/HARDWARE *	Complete assembly	
1.	802-010C	HHCS 5/16-18X1 1/4 GR5		
2.	802-138C	HHCS 5/16-18X2 1/4 GR5		
3.	803-177C	NUT HEX FLG TP LK 5/16-18ZN		
4.	804-036C	WASHER FLAT 5/16 SAE PLT		
5.	807-350C	SPRING TORSION DRVLN HLDER		
6.	837-062C	DRIVELINE HOOK		
7.	837-063C	MOUNT DRIVELINE HOOK		

Hitch, Pivot & Arm

Applies to GR1525



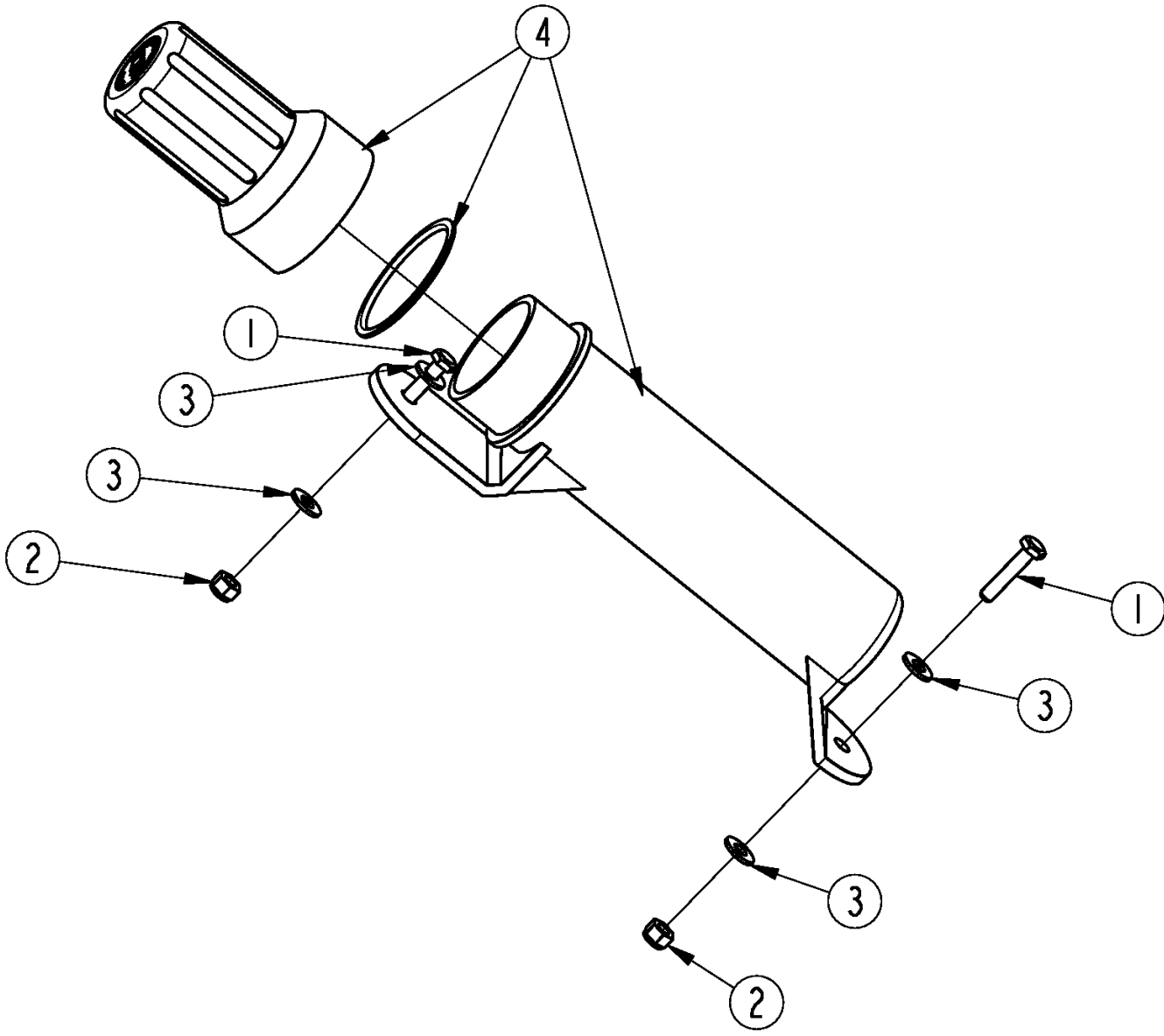
73742

Hitch, Pivot & Arm**Applies to GR1525**

Ref	Part No.	Part Description	Comments	Revision
	Dwg 73742	Image No.		
1.	308-400D	SPACER 1 1/4OD X 13/16ID X 2LG		
2.	311-470H	STAND WELDMENT 05 TILL		
3.	326-095S	MANUAL CONTAINER KIT, 1 1/4		
4.	327-143S	DRIVELINE HOLDER W/HARDWARE		
5.	328-134H	MAST ARM PIVOT		
6.	328-139H	PIVOT ARM		
7.	328-142H	HITCH		
8.	328-143H	CYL PIVOT		
9.	328-148H	PIVOT PIN		
10.	328-150H	PIN PIVOT		
11.	328-164H	PIVOT PIN		
12.	328-387D	COVER		
13.	800-001C	GREASE ZERK STRAIGHT 1/4-28		
14.	802-017C	HHCS 3/8-16X1 GR5		
15.	802-204C	HHCS 3/4-10X3 3/4 GR5		
16.	803-027C	NUT HEX 3/4-10 PLT		
17.	803-149C	NUT HEX 7/8-14 PLT		
18.	803-155C	NUT LT JAM 1 1/4-12 NYLN INSRT		
19.	803-209C	NUT FLANGE LOCK 3/8-16 PLT		
20.	804-012C	WASHER FLAT 3/8 SAE PLT		
21.	804-013C	WASHER LOCK SPRING 3/8 PLT		
22.	804-023C	WASHER LOCK SPRING 3/4 PLT		
23.	804-037C	WASHER LOCK SPRING 7/8 PLT		
24.	804-039C	WASHER FLAT 1 1/4 SAE PLT		
25.	805-065C	PIN WIRE RETAINING 1/4 X 1 3/4		
26.	805-111C	PIN HTCH C1 7/8-14 THD W/N		
27.	805-113C	PIN HTCH C2 7/8-14 THD W/N		
28.	890-005C	BUSHING CYL 1 1/4 X 1 X 1		

Manual Tube

Applies to GR1525



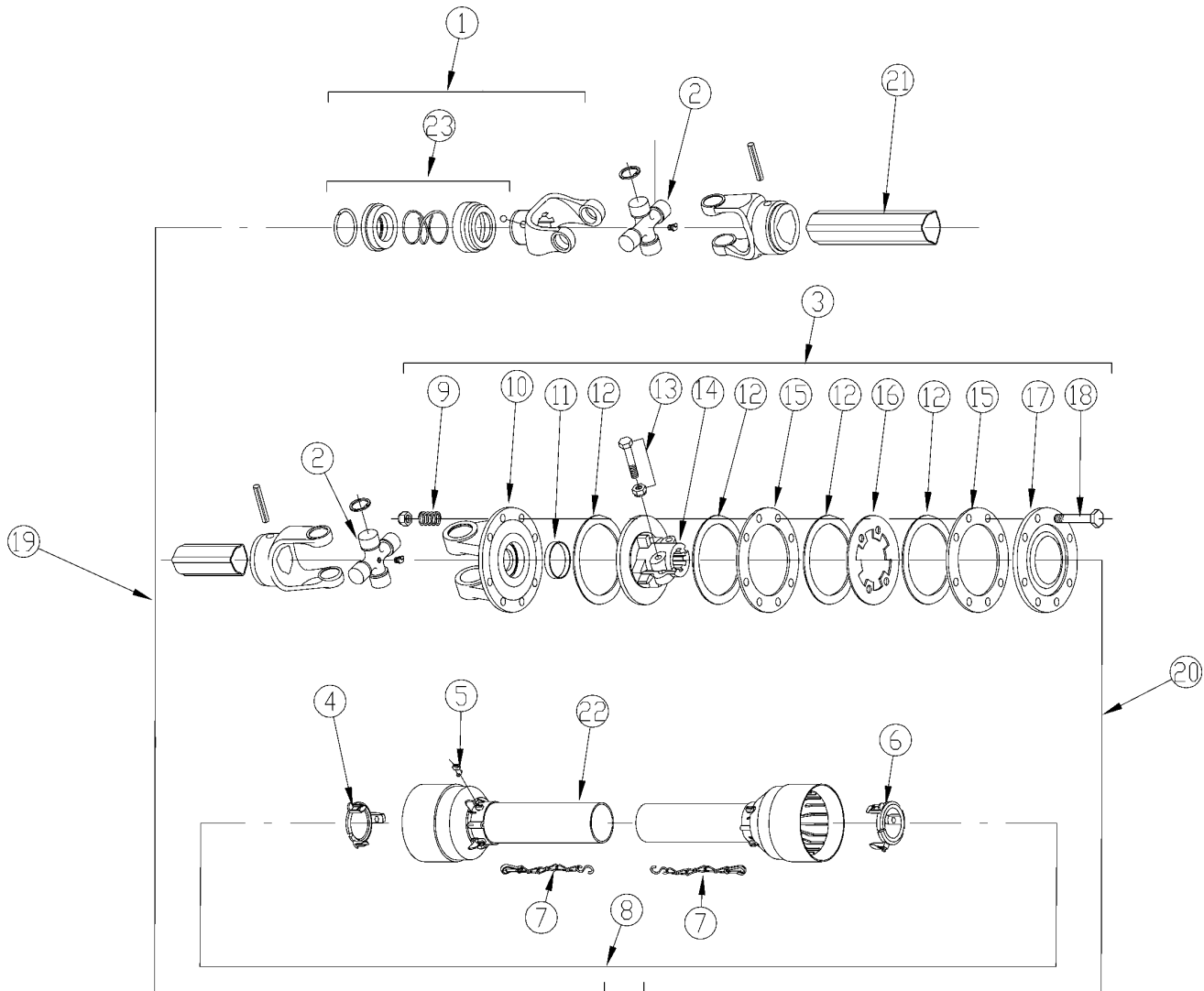
39163

Manual Tube**Applies to GR1525**

Ref	Part No.	Part Description	Comments	Revision
	Dwg 39163	Image No.		
	326-095S	MANUAL CONTAINER KIT, 1 1/4 *	Complete assembly	
1.	802-224C	HHCS 1/4-20X1 1/4 GR5		
2.	803-255C	NUT HEX NYLOCK 1/4-20		
3.	804-007C	WASHER FLAT 1/4 SAE PLT		
4.	816-504C	MANUAL STORAGE CONTAINER		

Driveline W/ Slip Clutch (826-673C)

Applies to GR1525

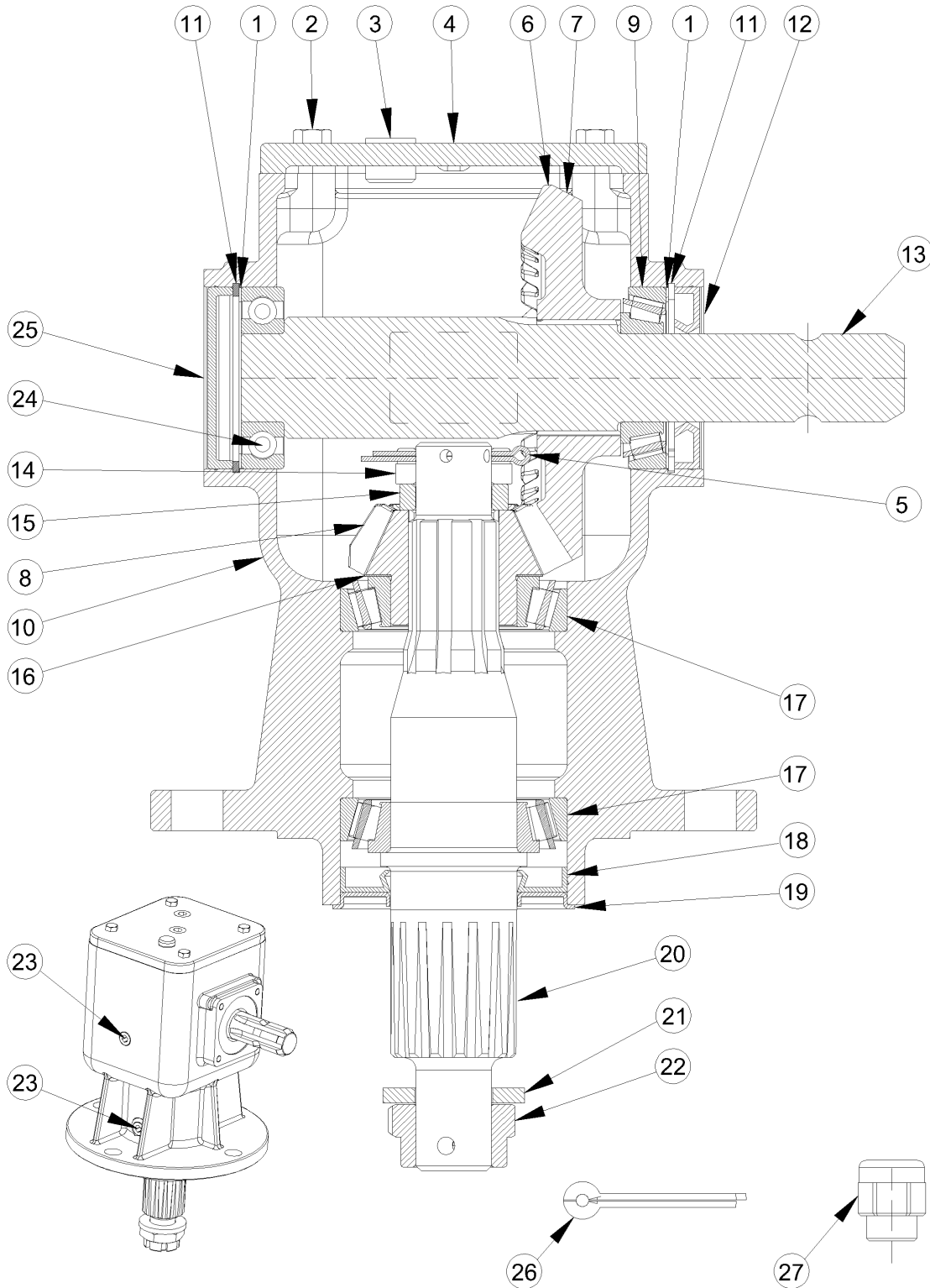


Driveline W/ Slip Clutch (826-673C)**Applies to GR1525**

Ref	Part No.	Part Description	Comments	Revision
	Dwg 30694 826-673C	Drawing Image Number DRVLN C4 44 1.38-6 QD CLTCH *		
1.	141.025.363.1	CO COMPLETE COLLAR YOKE C12		
2.	180.015.130	COMER CROSS JOURNAL SET		
3.	146.254.015.1	CO DISC CLUTCH F42 (11350 NM)		
4.	8180.015.288	CO GUARD RETAIN COLLAR OUT TB		
5.	8180.014.240	COMER BOLT		
6.	8180.015.289	CO GUARD RETAIN COLLAR INNR TB		
7.	044321	DRIVELINE SHIELD SAFETY CHAIN	S/N 928934-	
8.	142.250.3657521	COMPLETE GUARD W/INSTRUC		
9.	180.014.022	COMER SPRING		
10.	151.015.038.1	CO FLANGED YOKE		
11.	180.019.019	COMER BUSH		
12.	180.019.340	COMER LINING RING		
13.	165.000.502	COMER NUT & BOLT M12X1.25X65		
14.	151.019.011.1	CO CLUTCH SUPPORT F42		
15.	180.019.014	COMER INNER PLATE		
16.	180.019.115	COMER INTERMEDIATE PLATE		
17.	180.019.116.1	COMER PRESSURE PLATE		
18.	165.000.548	COMER BOLT WITH NUT M10X100		
19.	8123.350.097.11	CO HALF FEMALE SHFT W/GUARD		
20.	8123.450.295.11	CO HALF MALE SHAFT W/GUARD		
21.	190.000.098	COMER DANGER LABEL OUTER TUBE		
22.	190.000.099	COMER DANGER LABEL GUARD OUTER		
23.	165.000.628	COMER COLLAR KIT 1-3/8 YOKE		

Gearbox (826-893C) Comer

Applies to GR1525



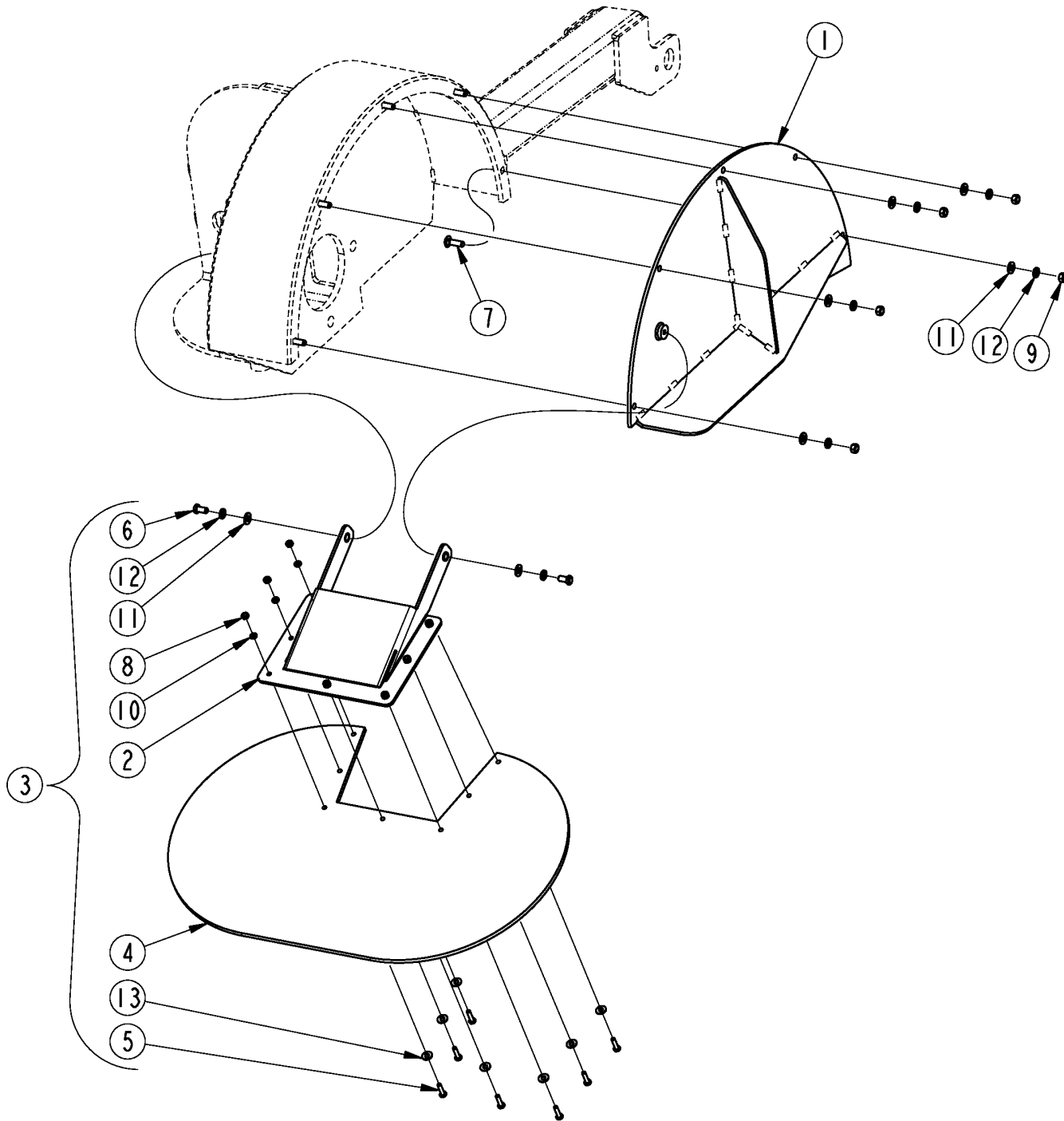
73756

Gearbox (826-893C) Comer**Applies to GR1525**

Ref	Part No.	Part Description	Comments	Revision
	Dwg 73756	Image No.		
	826-893C	GBOX 1:1.93 STD 1.38-6 SPL *		
1.	A.248.500	COMER SHIM KIT 71.7		
2.	8.1.1.00041	CO BOLT M8X22 HHB 8.8		
3.	8.6.6.00088	CO 1/2" GAS OIL PLUG W/EMB HEX		
4.	0.140.1302.00	CO COVER		
5.	8.4.7.01111	CO COTTER PIN B4 X 50		
6.	2.140.5003.00	CO BEVEL GEAR SET M5.64 Z14-27		
7.	0.140.6011.00	CO BEVEL FORGED M5.64 Z27		
8.	0.140.5010.00	CO BEVEL GEAR FORGED M5.64 Z14		
9.	822-167C	BRG ROLLER 1.37IDX2.83OD SET		
10.	0.140.0300.00	CO CASTING & MACHINING		
11.	800-264C	SNAP RING INT 2.835 (72MM)		
12.	8.7.1.00152	OIL SEAL, 35 X 72 X 12/10		
13.	0.140.2000.00	CO INPUT SHAFT		
14.	0.132.7106.00	CO NUT M30 X 1.5		
15.	0.132.7109.00	CO SPACER		
16.	A.712.500	COMER SHIM KIT 50.3X70.3		
17.	822-214C	BRG CUP/CONE SET 30210		
18.	8.7.1.01107	CO SEAL (50x90x10)		
19.	0.139.7100.00	CO SEAL RETAINER		
20.	0.140.3002.00	CO OUTPUT SHAFT		
21.	0.139.7101.00	CO BLANK WASHER		
22.	0.140.7102.00	CO CASTLE NUT M30X2 (8.8)		
23.	8.6.6.00201	CO PLUG 3/8 (SOLID PLUG)		
24.	822-166C	BRG BALL 1.37IDX2.83OD 6207		
25.	8.7.0.00744	CO CAP 72 X 10		
26.	8.4.7.00146	CO COTTER PIN B6 X 60		
27.	826-497C	COMER VENT #8.6.7.00269		

Rotor Deflector & Cap

Applies to GR1525



73744

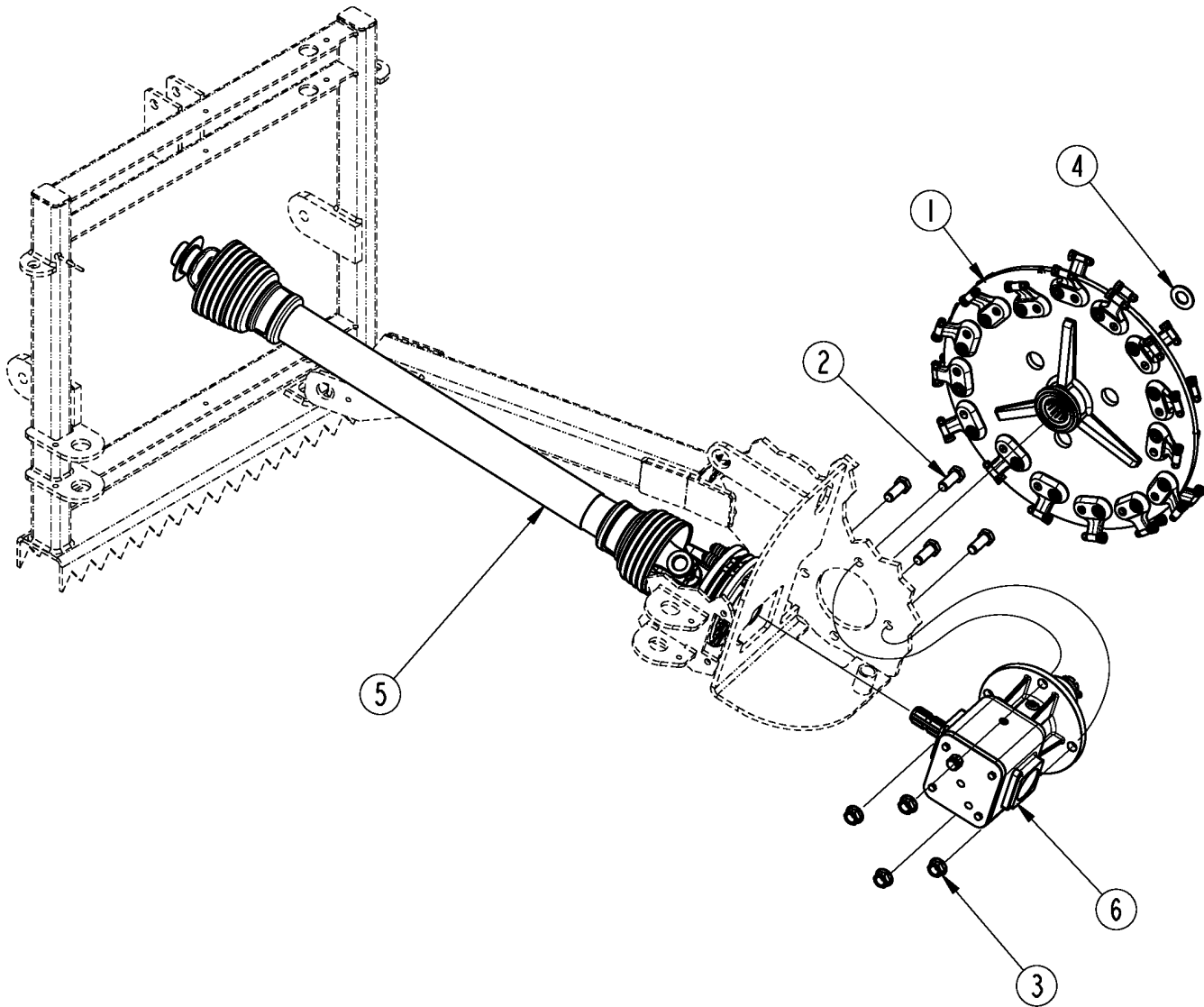
Rotor Deflector & Cap

Applies to GR1525

Ref	Part No.	Part Description	Comments	Revision
	Dwg 73744	Image No.		
1.	328-144H	ROTOR CAP		
2.	328-161H	DEFLECTOR MOUNT		
3.	328-166K	DEFLECTOR		
4.	328-523D	DEFLECTOR		
5.	802-005C	HHCS 1/4-20X1 GR5		
6.	802-014C	HHCS 3/8-16X3/4 GR5		
7.	802-155C	RHSNB 3/8-16X1 1/4 GR5		
8.	803-006C	NUT HEX 1/4-20 PLT		
9.	803-014C	NUT HEX 3/8-16 PLT		
10.	804-006C	WASHER LOCK SPRING 1/4 PLT		
11.	804-012C	WASHER FLAT 3/8 SAE PLT		
12.	804-013C	WASHER LOCK SPRING 3/8 PLT		
13.	804-075C	WASHER FLAT 1/4 USS PLT		

Rotor Drive Components

Applies to GR1525



73755

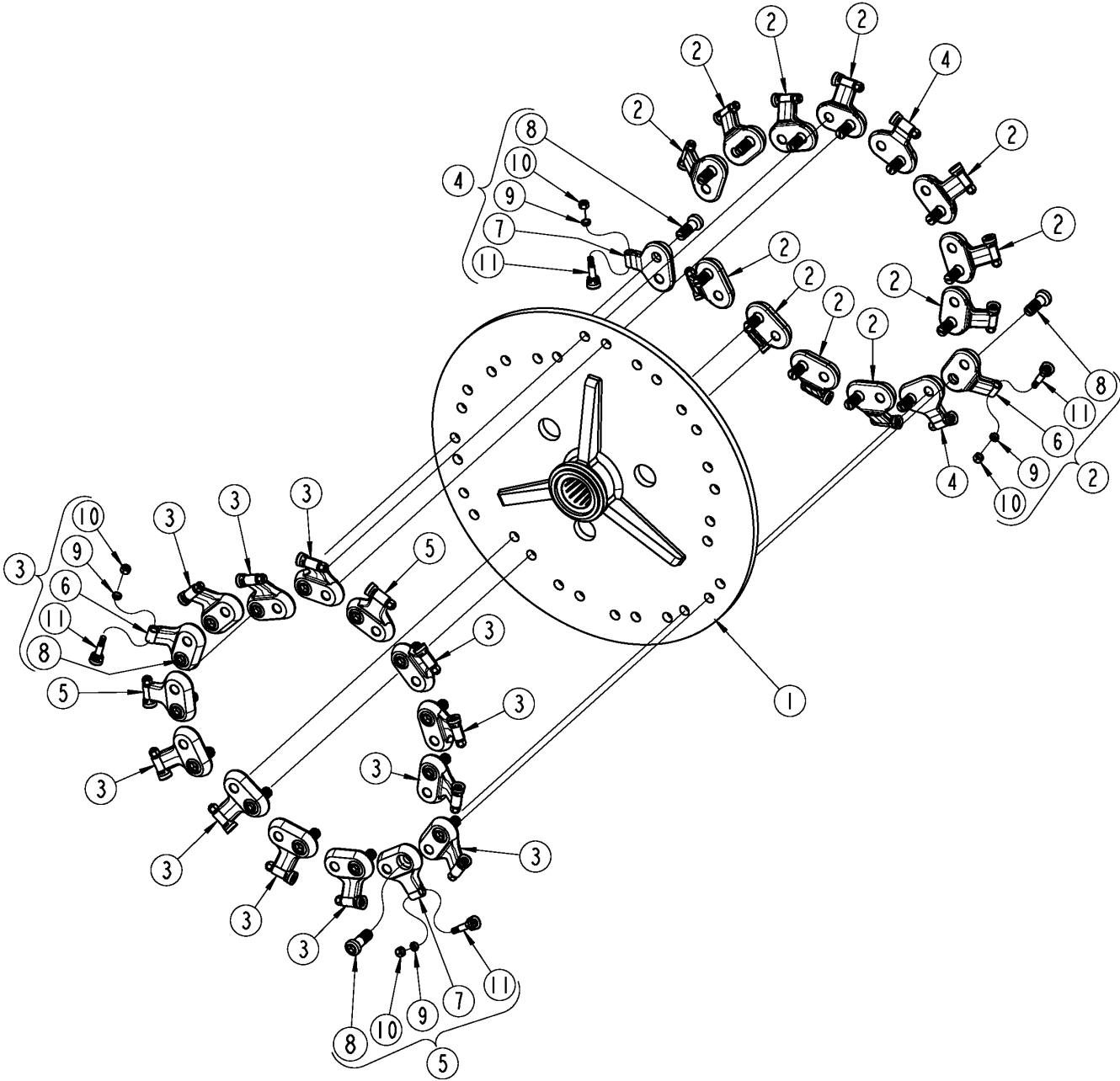
Rotor Drive Components

Applies to GR1525

Ref	Part No.	Part Description	Comments	Revision
	Dwg 73755	Image No.		
1.	328-172A	ROTOR GR1525	Includes carbide teeth	
2.	802-947C	HHCS 3/4-10X2 GR8		
3.	803-181C	NUT HEX FLANGE LOCK 3/4-10 PLT		
4.	804-029C	WASHER FLAT 1 SAE		
5.	826-673C	DRVLN C4 44 1.38-6 QD CLTCH		
6.	826-893C	GBOX 1:1.93 STD 1.38-6 SPL		

Rotor Wheel Components (328-172A)

Applies to GR1525



73753

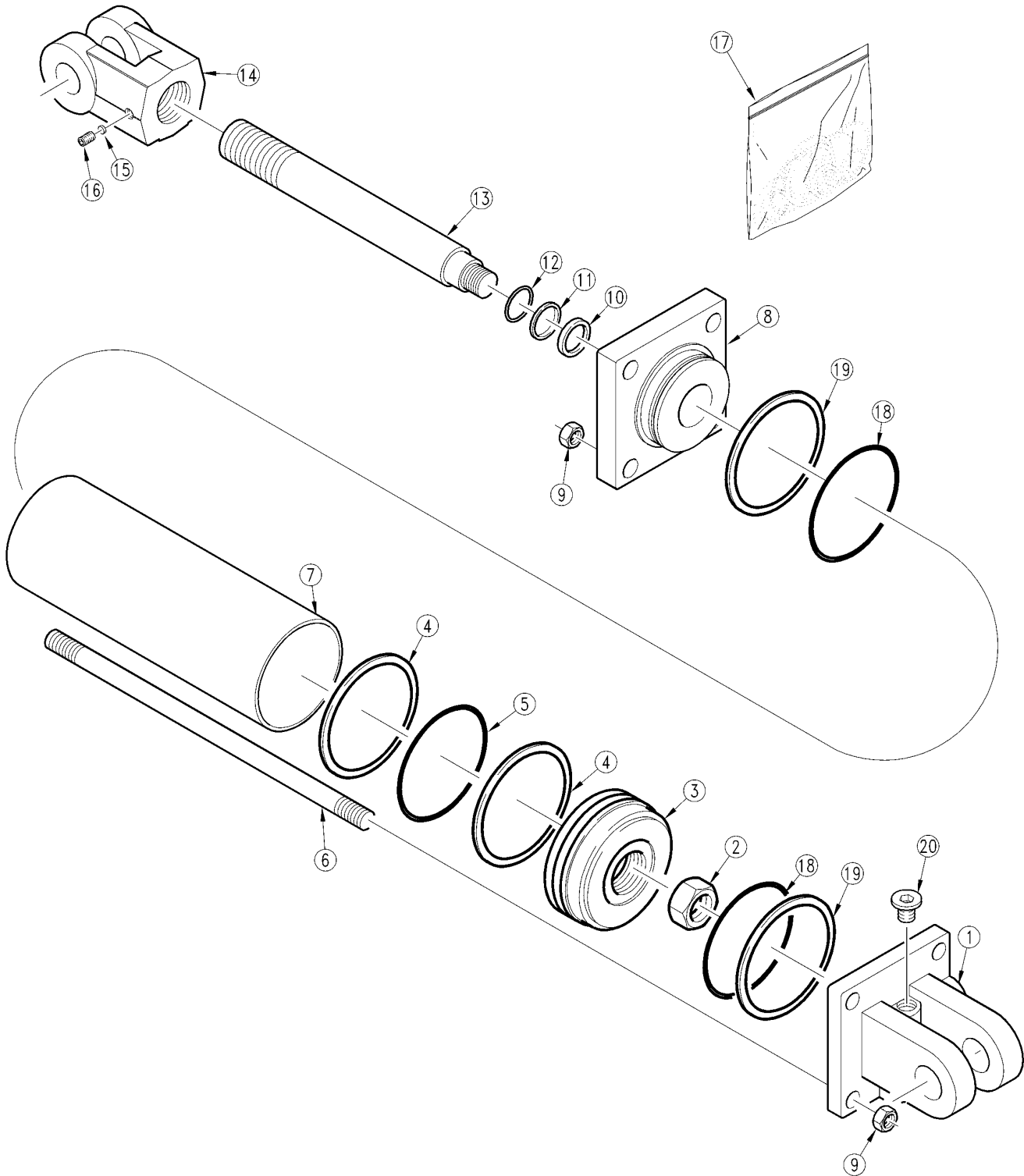
Rotor Wheel Components (328-172A)

Applies to GR1525

Ref	Part No.	Part Description	Comments	Revision
	Dwg 73753	Image No.		
	328-172A	ROTOR GR1525 *	Includes carbide teeth	
1.	328-163H	ROTOR WHEEL WELD GT GR		
2.	328-168K	TOOTH BENT RH		
3.	328-169K	TOOTH BENT LH		
4.	328-170K	TOOTH STRAIGHT RH		
5.	328-171K	TOOTH STRAIGHT LH		
6.	820-780C	TOOTH HOLDER BENT		
7.	820-781C	TOOTH HOLDER STRAIGHT		
8.	820-782C	TOOTH HOLDER BOLT	QTY. 30	
9.	820-783C	NUT SPACER	QTY. 30	
10.	820-784C	CARBIDE NUT	QTY. 30	
11.	820-785C	CARBIDE TOOTH	QTY. 30	

Hydraulic Cylinder (810-198C) Red Lion

Applies to GR1525



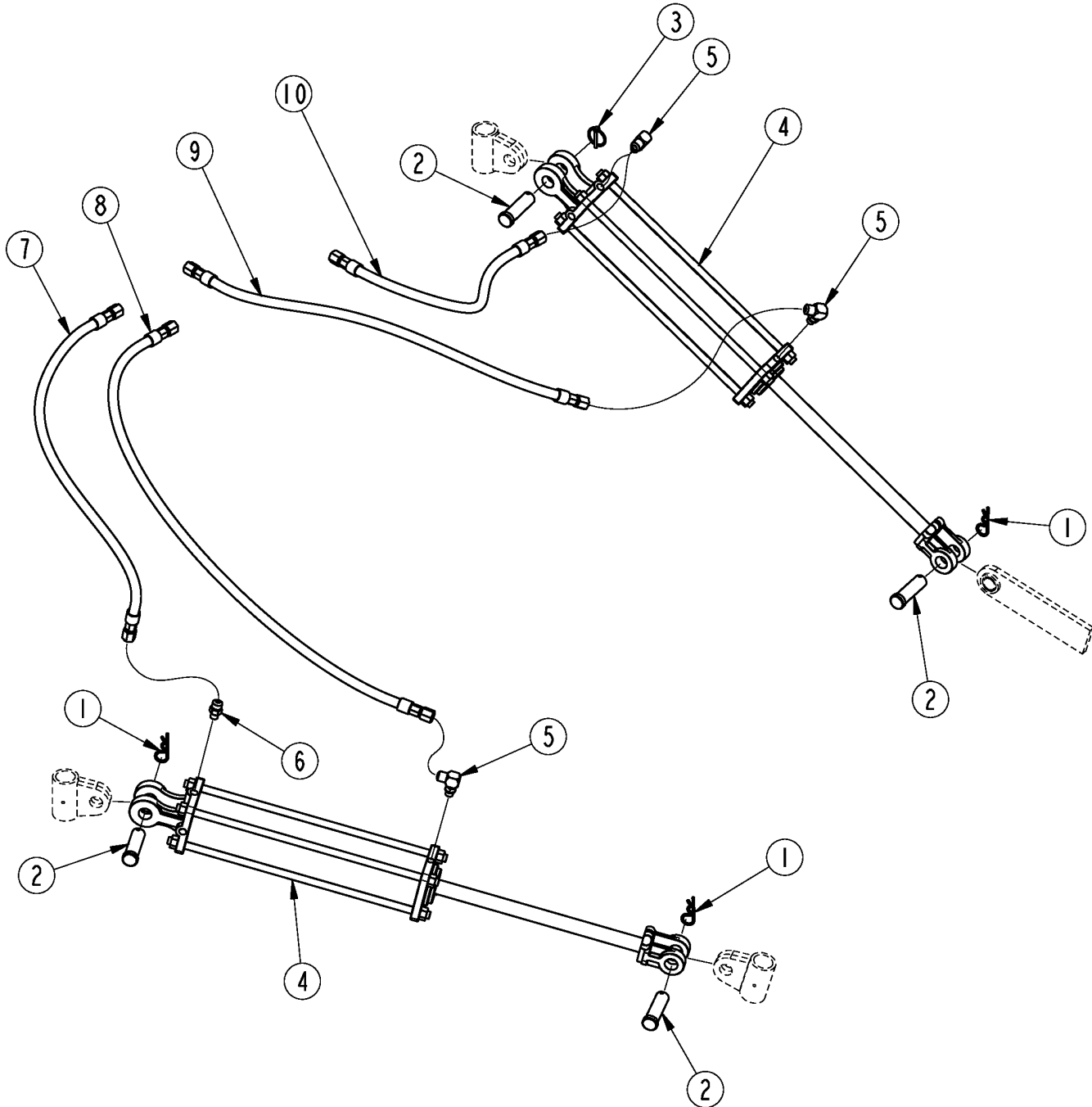
14283

Hydraulic Cylinder (810-198C) Red Lion**Applies to GR1525**

Ref	Part No.	Part Description	Comments	Revision
	Dwg 14283	Drawing Image Number		
	810-198C	CYL 3.5X16X1.25 ROD(TIE)NOPINS *		
1.	492833	LION CLEVIS CAP 3.5-16 ORB		
2.	129110	LION NUT HEX 1-14UNS GR5 PHOSP		
3.	258827	MON PISTN 3.50-1.00-TSS-ISO-WR		
4.		LION SEAL	Only found in seal kit	
5.		LION O-RING SEAL	Only found in seal kit	
6.	492346	LION TIE ROD 5/8 X 16		
7.	491806	LION CYL. TUBE 3.5 X 16		
8.	494404	MON ROD CAP3.5-1.25-9/16ORB-TS		
9.	803-022C	NUT HEX 5/8-18 PLT		
10.		LION O-RING SEAL	Only found in seal kit	
11.		LION SEAL	Only found in seal kit	
12.		LION SEAL	Only found in seal kit	
13.	492873	LION ROD 1.25 X 16		
14.	492652	LION ROD CLEVIS 1 1/4 (1"PIN)		
15.	498006	LION THREAD LOCK-NYLON		
16.	801-023C	SCREW SET SH 3/8-16X3/8 TYPE C		
17.	810-885C	MON SEAL KIT 620279		
18.		LION O-RING SEAL	Only found in seal kit	
19.		LION B.U. WASHER 073-236	Only found in seal kit	
20.	186561	LION PLUG 9/16-18UNF SOCKET HD		

Lift & Swing Hydraulics

Applies to GR1525



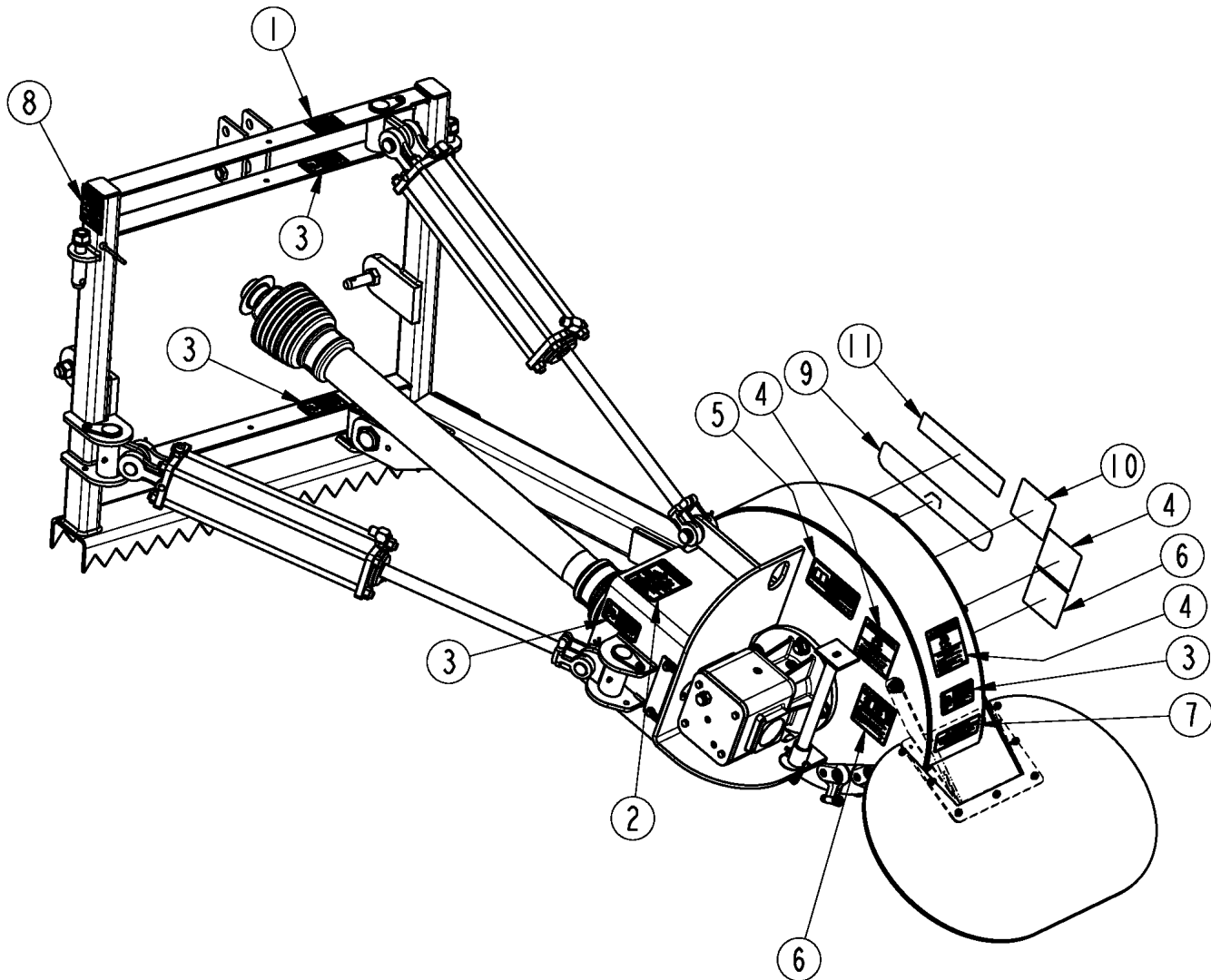
73750

Lift & Swing Hydraulics**Applies to GR1525**

Ref	Part No.	Part Description	Comments	Revision
	Dwg 73750	Image No.		
1.	805-032C	PIN HAIR COTTER .148 WIRE		
2.	805-107C	PIN CLVS 1.0X3.0 USBL		
3.	805-240C	PIN LINCH 3/16 X 1 9/16 LONG		
4.	810-198C	CYL 3.5X16X1.25 ROD(TIE)NOPINS		
5.	811-216C	EL 3/4MJIC 9/16MORB		
6.	811-584C	AD 9/16MORB 3/4MJIC		
7.	851-040C	HH3/8R2 034 3/4FJIC		
8.	851-042C	HH3/8R2 055 3/4FJIC		
9.	861-042C	HH3/8R2 037 3/4FJIC		
10.	861-137C	HH3/8R2 026 3/4FJIC		

Decal Placement

Applies to GR1525



73778

Decal Placement

Applies to GR1525

Ref	Part No.	Part Description	Comments	Revision
	Dwg 73778	Image No.		
1.	818-130C	DECAL WARNING 540 RPM		
2.	818-552C	DECAL DANGER PTO DRIVELINE		
3.	818-798C	DECAL WARNING PINCH POINT GEN		
4.	838-107C	DECAL WARNING THROWN OBJECT		
5.	838-293C	DECAL WARNING READ MANUAL		
6.	838-295C	DECAL ROTATING BLADE DT55 SW407		
7.	848-088C	DECAL DANGER GUARD MISSING		
8.	848-747C	DECAL HIGH PRESSURE FLUIDS		
9.	858-009C	DECAL TREE STUMP GOLD 13"		
10.	858-237C	DECAL, DIG SAFE		
11.	858-986C	DECAL GR1525 GOLD		

Touch-up Paints - Kubota

Applies to GR1525

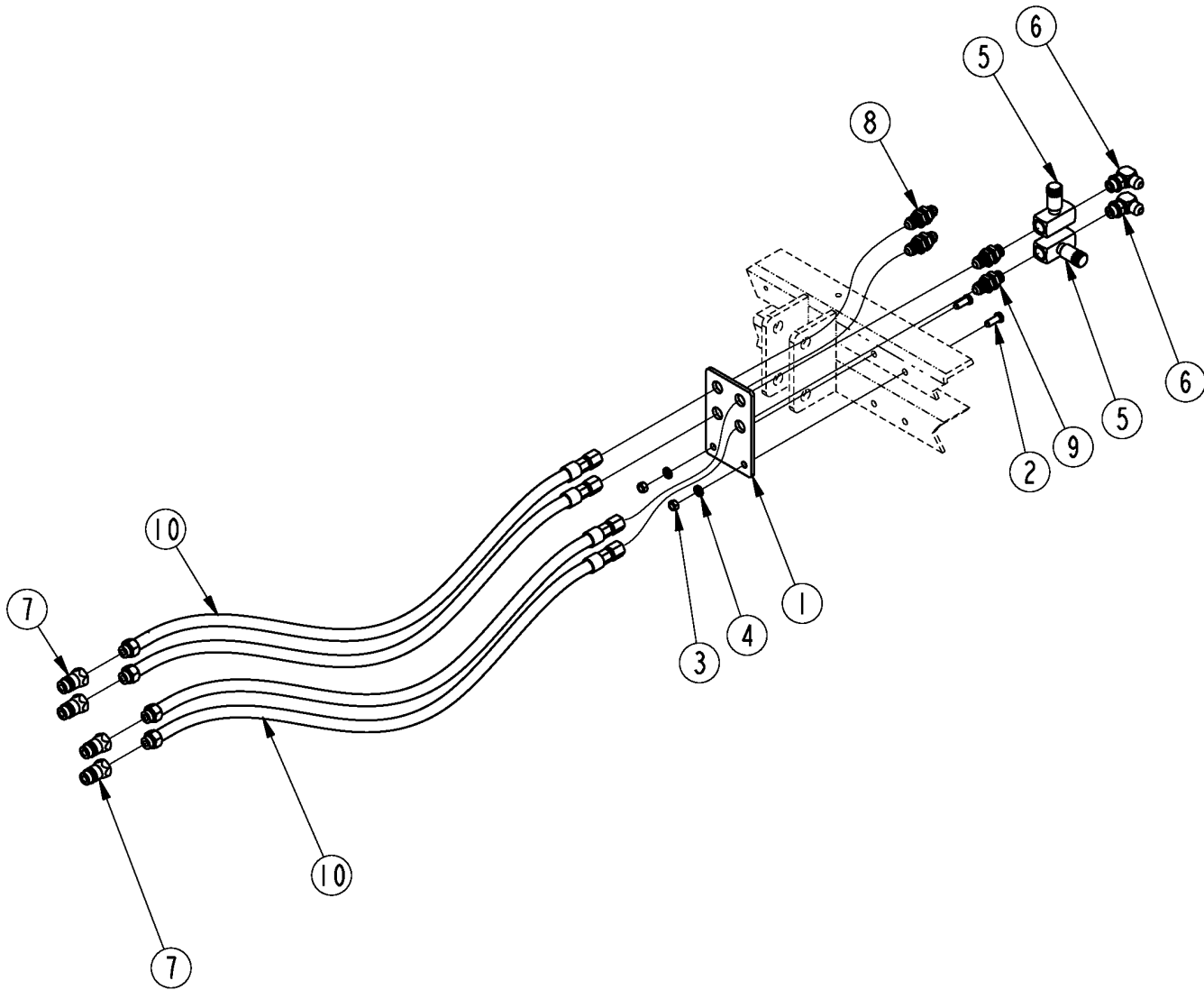
No diagram associated with this Parts List

Touch-up Paints - Kubota**Applies to GR1525**

Ref	Part No.	Part Description	Comments	Revision
1.	821-070C	GLOSS BLACK SPRAY CAN	Spray can	
2.	821-070CTU	GLOSS BLACK TOUCH-UP 5OZ	Touch-up bottle with brush	
3.	821-070CQT	GLOSS BLACK QUART	Quart can	
4.	821-070CGL	GLOSS BLACK GALLON	Gallon Can	
5.	821-006C	ORANGE SPRAY CAN	Spray can	
6.	821-066CTU	ORANGE TOUCH-UP 5OZ	Touch-up bottle with brush	
7.	821-066CQT	ORANGE QUART	Quart can	
8.	821-066CGL	ORANGE GALLON	Gallon Can	
9.	821-085C	PAINT KBT DARK GRAY SPRAY CAN	Spray can	
10.	821-085CGL	PAINT KBT DARK GRAY GALLON	Gallon Can	
11.	821-085CTU	PAINT KBT DARK GRAY TCH-UP 4OZ	Touch-up bottle with brush	

Dual Remote Bundle (328-151A)

Applies to GR1525



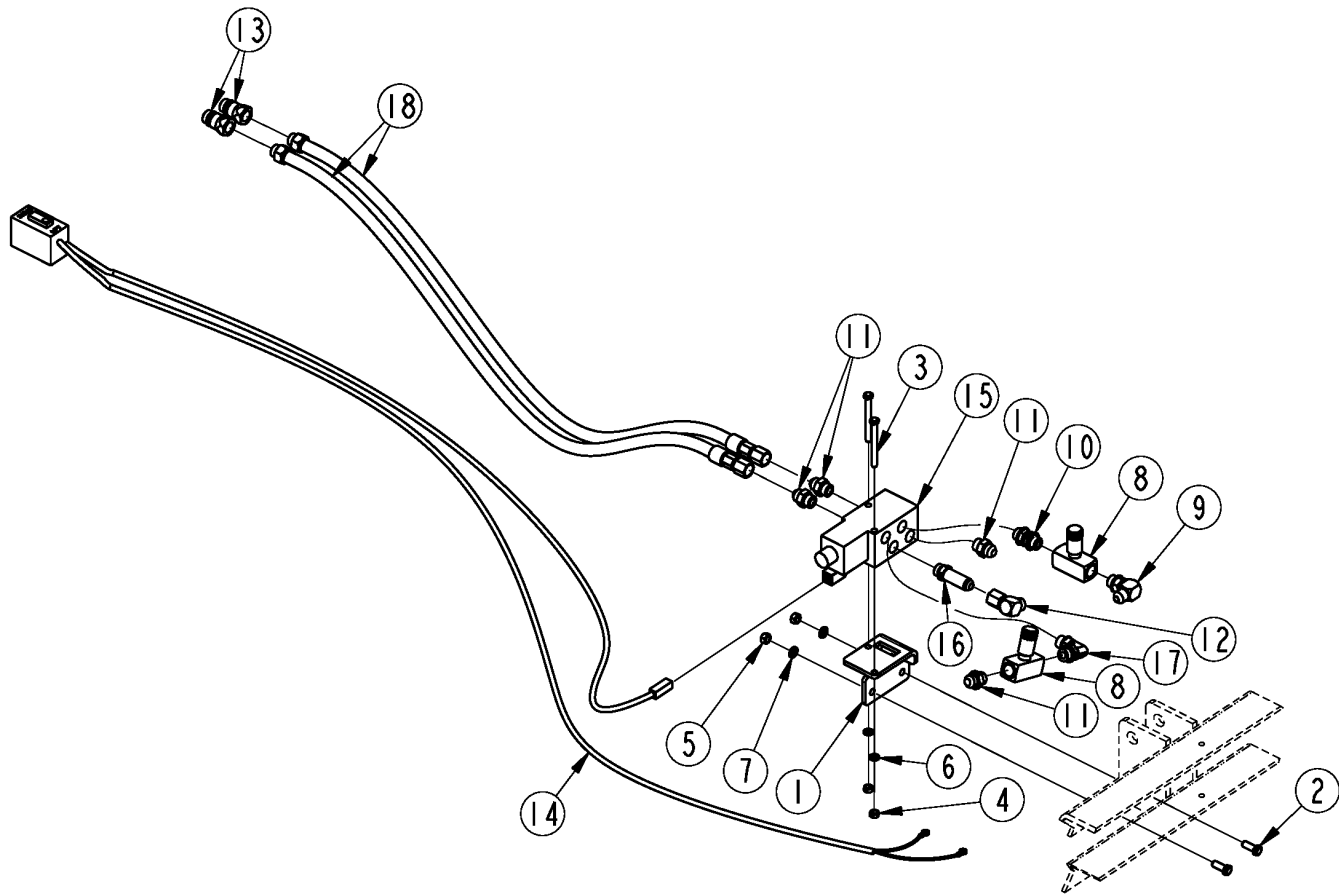
73763

Dual Remote Bundle (328-151A)**Applies to GR1525**

Ref	Part No.	Part Description	Comments	Revision
	Dwg 73763 328-151A	Image No. TRACTOR DUAL REMOTE BUNDLE *		
1.	328-376D	BULKHEAD MOUNT		
2.	802-017C	HHCS 3/8-16X1 GR5		
3.	803-014C	NUT HEX 3/8-16 PLT		
4.	804-013C	WASHER LOCK SPRING 3/8 PLT		
5.	810-043C	VALVE NEEDLE 3/4-16 ORB		
6.	811-063C	EL 3/4MJIC 3/4MORB		
7.	811-394C	CP 3/4FORB MALE QD POPPET TYPE		
8.	841-988C	AD 3/4MJIC BLKHD WITH LN		
9.	851-344C	AD 3/4MJIC 3/4MORB BLKHD W/ LN		
10.	861-748C	HH3/8R2 044 3/4FJIC 3/4MORB		

Single Remote Bundle (328-155A)

Applies to GR1525



74486

Single Remote Bundle (328-155A)**Applies to GR1525**

Ref	Part No.	Part Description	Comments	Revision
	Dwg 73764 328-155A	Image No. SINGLE REMOTE BUNDLE *		
1.	328-156H	VALVE MOUNT		
2.	802-017C	HHCS 3/8-16X1 GR5		
3.	802-390C	HHCS 5/16-18X3 1/4 GR5		
4.	803-008C	NUT HEX 5/16-18 PLT		
5.	803-014C	NUT HEX 3/8-16 PLT		
6.	804-009C	WASHER LOCK SPRING 5/16 PLT		
7.	804-013C	WASHER LOCK SPRING 3/8 PLT		
8.	810-043C	VALVE NEEDLE 3/4-16 ORB		
9.	811-063C	EL 3/4MJIC 3/4MORB		
10.	811-086C	AD 3/4MORB		
11.	811-088C	AD 3/4MORB 3/4MJIC		
12.	811-150C	EL 3/4FJIC 3/4MJIC		
13.	811-394C	CP 3/4FORB MALE QD POPPET TYPE		
14.	823-485C	SINGLE REMOTE CONTROL HARNESS		
15.	850-147C	6 PORT SOLENOID VALVE		
16.	851-858C	AD 3/4MORB 3/4MJIC LONG		
17.	861-311C	EL 3/4MORB		
18.	861-748C	HH3/8R2 044 3/4FJIC 3/4MORB		



Part Number Index

The Part Number Index is a numeric index of all part numbers included in this manual. The index shows what page(s) the part is used on.

<u>Part Number</u>	<u>Page</u>	<u>Part Number</u>	<u>Page</u>	<u>Part Number</u>	<u>Page</u>
0.132.7106.00	15	8.6.6.00201	15	820-785C	21
0.132.7109.00	15	8.7.0.00744	15	821-006C	29
0.139.7100.00	15	8.7.1.00152	15	821-066CGL	29
0.139.7101.00	15	8.7.1.01107	15	821-066CQT	29
0.140.0300.00	15	800-001C	9	821-066CTU	29
0.140.1302.00	15	800-264C	15	821-070C	29
0.140.2000.00	15	801-023C	23	821-070CGL	29
0.140.3002.00	15	802-005C	17	821-070CQT	29
0.140.5010.00	15	802-010C	7	821-070CTU	29
0.140.6011.00	15	802-014C	17	821-085C	29
0.140.7102.00	15	802-017C	9, 31, 33	821-085CGL	29
044321	13	802-138C	7	821-085CTU	29
129110	23	802-155C	17	822-166C	15
141.025.363.1	13	802-204C	9	822-167C	15
142.250.3657521	13	802-224C	11	822-214C	15
146.254.015.1	13	802-390C	33	823-485C	33
151.015.038.1	13	802-947C	19	826-497C	15
151.019.011.1	13	803-006C	17	826-673C	13, 19
165.000.502	13	803-008C	33	826-893C	15, 19
165.000.548	13	803-014C	17, 31, 33	837-062C	7
165.000.628	13	803-022C	23	837-063C	7
180.014.022	13	803-027C	9	838-107C	27
180.015.130	13	803-149C	9	838-293C	27
180.019.014	13	803-155C	9	838-295C	27
180.019.019	13	803-177C	7	841-988C	31
180.019.115	13	803-181C	19	848-088C	27
180.019.116.1	13	803-209C	9	848-747C	27
180.019.340	13	803-255C	11	850-147C	33
186561	23	804-006C	17	851-040C	25
190.000.098	13	804-007C	11	851-042C	25
190.000.099	13	804-009C	33	851-344C	31
2.140.5003.00	15	804-012C	9, 17	851-858C	33
258827	23	804-013C	9, 17, 31, 33	858-009C	27
308-400D	9	804-023C	9	858-237C	27
311-470H	9	804-029C	19	858-986C	27
326-095S	9, 11	804-036C	7	861-042C	25
327-143S	7, 9	804-037C	9	861-137C	25
328-134H	9	804-039C	9	861-311C	33
328-139H	9	804-075C	17	861-748C	31, 33
328-142H	9	805-032C	25	890-005C	9
328-143H	9	805-065C	9	A.248.500	15
328-144H	17	805-107C	25	A.712.500	15
328-148H	9	805-111C	9	Dwg 14283	23
328-150H	9	805-113C	9	Dwg 30694	13
328-151A	31	805-240C	25	Dwg 39163	11
328-155A	33	807-350C	7	Dwg 72257	7
328-156H	33	810-043C	31, 33	Dwg 73742	9
328-161H	17	810-198C	23, 25	Dwg 73744	17
328-163H	21	810-885C	23	Dwg 73750	25
328-164H	9	811-063C	31, 33	Dwg 73753	21
328-166K	17	811-086C	33	Dwg 73755	19
328-168K	21	811-088C	33	Dwg 73756	15
328-169K	21	811-150C	33	Dwg 73763	31
328-170K	21	811-216C	25	Dwg 73764	33
328-171K	21	811-394C	31, 33	Dwg 73778	27
328-172A	19, 21	811-584C	25		
328-376D	31	8123.350.097.11	13		
328-387D	9	8123.450.295.11	13		
328-523D	17	816-504C	11		
491806	23	818-130C	27		
492346	23	818-552C	27		
492652	23	818-798C	27		
492833	23	8180.014.240	13		
492873	23	8180.015.288	13		
494404	23	8180.015.289	13		
498006	23	820-780C	21		
8.1.1.00041	15	820-781C	21		
8.4.7.00146	15	820-782C	21		
8.4.7.01111	15	820-783C	21		
8.6.6.00088	15	820-784C	21		

This Page Intentionally Left Blank



Great Plains Manufacturing, Inc.

Corporate Office: P.O. Box 5060
Salina, Kansas 67402-5060 USA

www.landpride.com
