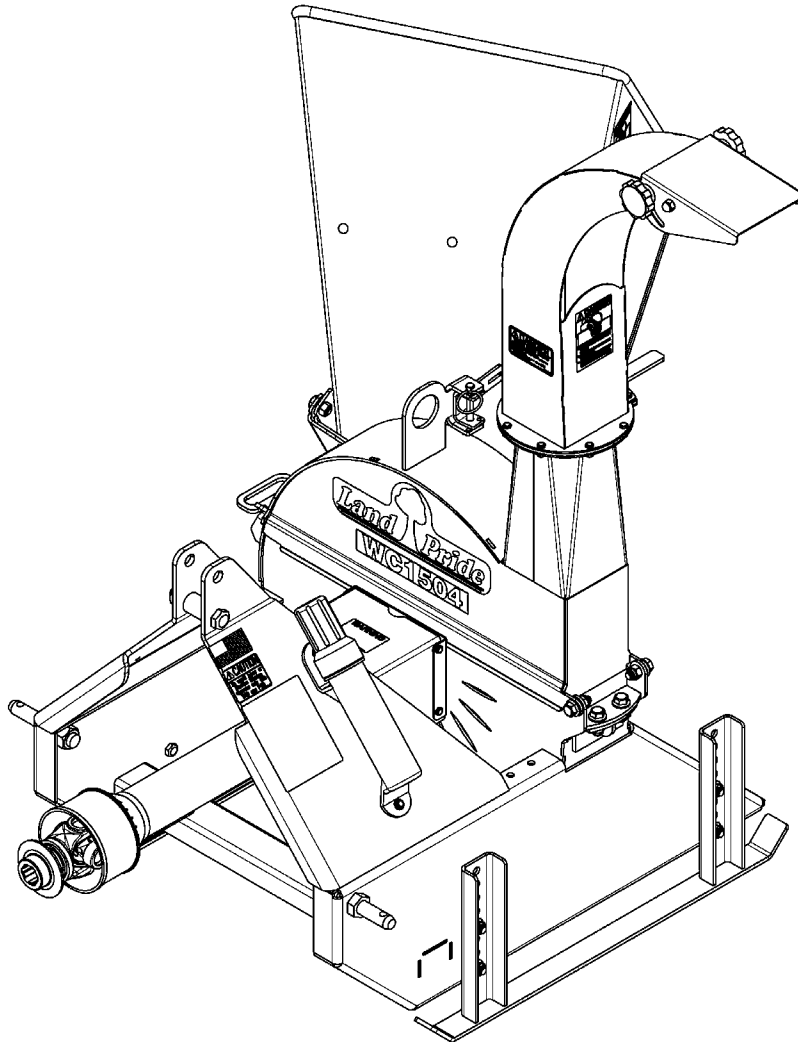


# Wood Chippers

## WC1504



35427

### **328-098P** **Parts Manual**



Read the Operator's Manual entirely. When you see this symbol, the subsequent instructions and warnings are serious - follow without exception. Your life and the lives of others depend on it!

© Copyright 2019 Printed 12/17/19

Cover photo may show optional equipment not supplied with standard unit.





# Table of Contents

---

<b>Section 1: Introduction.....</b>	<b>4</b>
Using This Manual.....	4
Manual Replacement Information.....	4
Manual Revisions.....	4
Touch-up Paint.....	4
Hardware Legend.....	5
Replacement Hardware.....	5
Serial Numbers.....	5
Part Number Service Coding.....	5
<b>Section 2: Frame &amp; Chute Components.....</b>	<b>6</b>
Discharge Chute Components.....	6
Frame & Feed Chute Components.....	8
Manual Tube.....	10
<b>Section 3: Drive Components.....</b>	<b>12</b>
Chipper Drive Components.....	12
Driveline (826-776C).....	14
<b>Section 4: Decals.....</b>	<b>16</b>
Decal Placement.....	16
Touch-up Paints - LP.....	18
<b>Part Number Index.....</b>	<b>20</b>

© Copyright 2019. All rights reserved.

Land Pride provides this publication “as is” without warranty of any kind, either expressed or implied. While every precaution has been taken in the preparation of this manual, Land Pride assumes no responsibility for errors or omissions. Neither is any liability assumed for damages resulting from the use of the information contained herein. Land Pride reserves the right to revise and improve its products as it sees fit. This publication describes the state of this product at the time of its publication, and may not reflect the product in the future. The illustrations in this manual are not intended for safe and proper assembly or disassembly of equipment. The illustrations are intended for ordering parts only.

Land Pride is registered trademark.

All other brands and product names are trademarks or registered trademarks of their respective holders.

*Printed in the United States of America.*



# Alphabetized Table of Contents

---

<b>C</b>	
Chipper Drive Components.....	12
<b>D</b>	
Decal Placement.....	16
Discharge Chute Components.....	6
Driveline (826-776C).....	14
<b>F</b>	
Frame & Feed Chute Components.....	8
<b>M</b>	
Manual Tube.....	10
<b>T</b>	
Touch-up Paints - LP.....	18

# General Information

## Using This Manual

This manual is divided into sections. The first section contains General Information. The remaining sections divide the machine into segments (i.e. Frames, Drives, Hydraulics, etc.) which illustrate and list all parts. A Parts Number Index is located at the back of the book.

The Land Pride parts in this manual are specially designed for this machine and should be replaced with Land Pride parts only.

The information in this manual is current at time of printing. Some parts may change to assure top performance.

Right-hand and left-hand as used in this manual are determined by facing the direction the machine will travel while in use.

Below is an example of two facing pages from a parts manual. Familiarize yourself with the type of information contained on these pages.

## Manual Replacement Information

Replacement manuals are available. Refer to our website at [www.landpride.com](http://www.landpride.com) or e-mail us at [lit@landpride.com](mailto:lit@landpride.com) for additional information. Our website continues to provide the most up-to-date manuals available.

## Touch-up Paint

Repaint parts where paint is worn or scratched to prevent rust. Aerosol cans and touch-up bottles with brush applicator are available through your local dealer. Also available are quart and gallon size paints. Add QT or GL to end of the Aerosol P/N.

Land Pride color descriptions and part numbers are listed on the "Land Pride Touch-up Paints" page in the "Decals" section of this book. Color options vary by product.



## General Information

### Hardware Legend

<b>AR</b>	As Required
<b>BLADE</b>	Blade Bolt
<b>C</b>	Cap Screw
<b>CP</b>	Cotter Pin
<b>CPHSSS</b>	Cup Point Hex Socket Set Screw
<b>CPSHSS</b>	Cup Point Square Head Set Screw
<b>CPSQHSS</b>	Cup Point Square Head Set Screw
<b>CRFCHMS3</b>	Cross Recess Flat Countersunk Head Machine Screw
<b>CRPHMS</b>	Cross Recess Pan Head Machine Screw
<b>CRPHTF</b>	Cross Recess Pan Head Thread Forming
<b>CRRHMS</b>	Cross Recess Round Head Machine Screw
<b>CRTHMS</b>	Cross Recess Truss Head Machine Screw
<b>CSNB</b>	Countersunk Square Neck Bolt
<b>FHMS</b>	Flat Head Machine Screw
<b>FTC</b>	Full Thread Cap Screw
<b>H</b>	Hex Nut
<b>HCLN</b>	Hex Center Lock Nut
<b>HFLCS</b>	Hex Flange Lock Cap Screw
<b>HFS</b>	Hex Flange Screw
<b>HFSLN</b>	Hex Flange Serrated Lock Nut
<b>HFSS</b>	Hex Flange Serrated Screw
<b>HHCS</b>	Hex Head Cap Screw or Metric Bolt
<b>HSBHCS</b>	Hex Socket Button Head Cap Screw
<b>HSFCHCS</b>	Hex Socket Flat Countersunk Head Cap Screw
<b>HSHCS</b>	Hex Socket Head Cap Screw
<b>HSSS</b>	Hex Socket Head Screw
<b>HTLN</b>	Hex Top Lock Nut
<b>HWHCS</b>	Hex Washer Head Cap Screw

<b>HWHMS</b>	Hex Washer Head Machine Screw
<b>HXBHCS</b>	Hex Socket Button Head Cap Screw
<b>J</b>	Hex Jam Nut
<b>JIC</b>	37 Degree Tapered Thread
<b>L</b>	Helical Spring Lock Washer
<b>LUG</b>	Lug Bolt
<b>NFC</b>	National Fine Cap Screw
<b>NPSM</b>	National Pipe Straight Mechanical
<b>NPTF</b>	National Pipe Taper Fuel
<b>P</b>	Wide Plain Washer
<b>PHMS</b>	Pan Head Machine Screw
<b>PLOW</b>	Plow Bolt
<b>RHMS</b>	Round Head Machine Screw
<b>RHSNB</b>	Round Head Square Neck Bolt
<b>SCREW LEVELING</b>	Leveling Screw
<b>SCREW THUMB</b>	Thumb Screw
<b>SCREW WELD</b>	Weld Screw
<b>SFCHMS</b>	Slotted Flat Countersunk Head Machine Screw
<b>SFHMS</b>	Slotted Fillister Head Machine Screw
<b>SP</b>	Special
<b>SP SCREW</b>	Special Screw
<b>SQHSS</b>	Square Head Set Screw
<b>SRHMS</b>	Slotted Round Head Machine Screw
<b>SSS</b>	Socket Set Screw
<b>STCS</b>	Self Tapping Cap Screw
<b>STHMS</b>	Slotted Truss Head Machine Screw
<b>WHEEL</b>	Wheel Studs and Hub Long Bolts
<b>WING</b>	Wing Bolt

### Replacement Hardware

The **Hardware Legend** above lists hardware abbreviations used in the parts list. All bolts and nuts are Grade 5 unless otherwise noted. The use of improper grades of hardware can result in personal injury, damage to equipment, or loss of property.

### Colored Replacement Parts

Land Pride offers replacement parts in factory standard colors and also on select models in Green, Orange, Red and Blue. Because of the variety of colors available, special attention must be given to the part number to prevent ordering the wrong replacement part.

A suffix number corresponding to one of the colors below must be added at the end of Land Pride's part number when ordering a replacement part with that color.

**81 . . . . . Green      83 . . . . . Red**  
**82 . . . . . Orange    84 . . . . . Blue**

For example, if you are ordering a replacement part with part number 555-555C and the part you need is red, then add the suffix 83 to the end of the number to make the part number read 555-555C83. Parts ordered without a suffix number will be supplied in factory standard colors.

### Black Replacement Parts

Some parts are factory standard black and some must be special ordered black. If your part is special ordered black, a second part number with the additional suffix number 85 on the end will be available. In this situation you must order that part with the suffix number for it to be black. Parts that are factory standard black will not have the suffix number.

### Part Number Service Coding

Within the parts list some part numbers are coded for revisions and interchangeability. See notations in revision column.

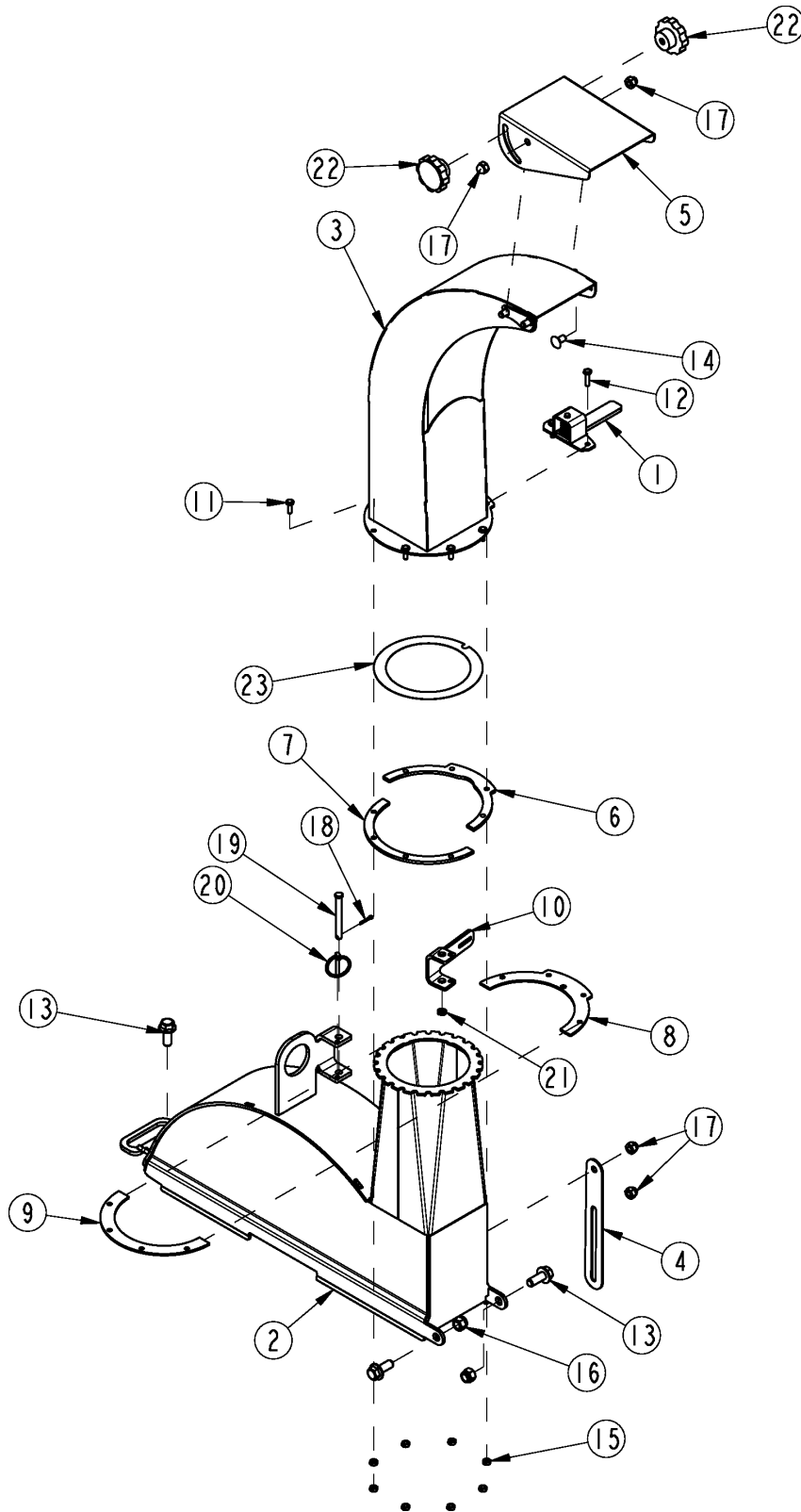
### Serial Numbers

Always use the serial and model number when ordering parts. Refer to the Operator's Manual for serial number plate location.

- (S/N 20001+)                      Includes serial numbers 20001 and above (to the latest number)
- (S/N 10001 to 20000)           Includes serial numbers between and including 10001 and 20000
- (S/N 10000-)                      Includes serial numbers 10000 and below (to the earliest number)

# Discharge Chute Components

Applies to WC1504



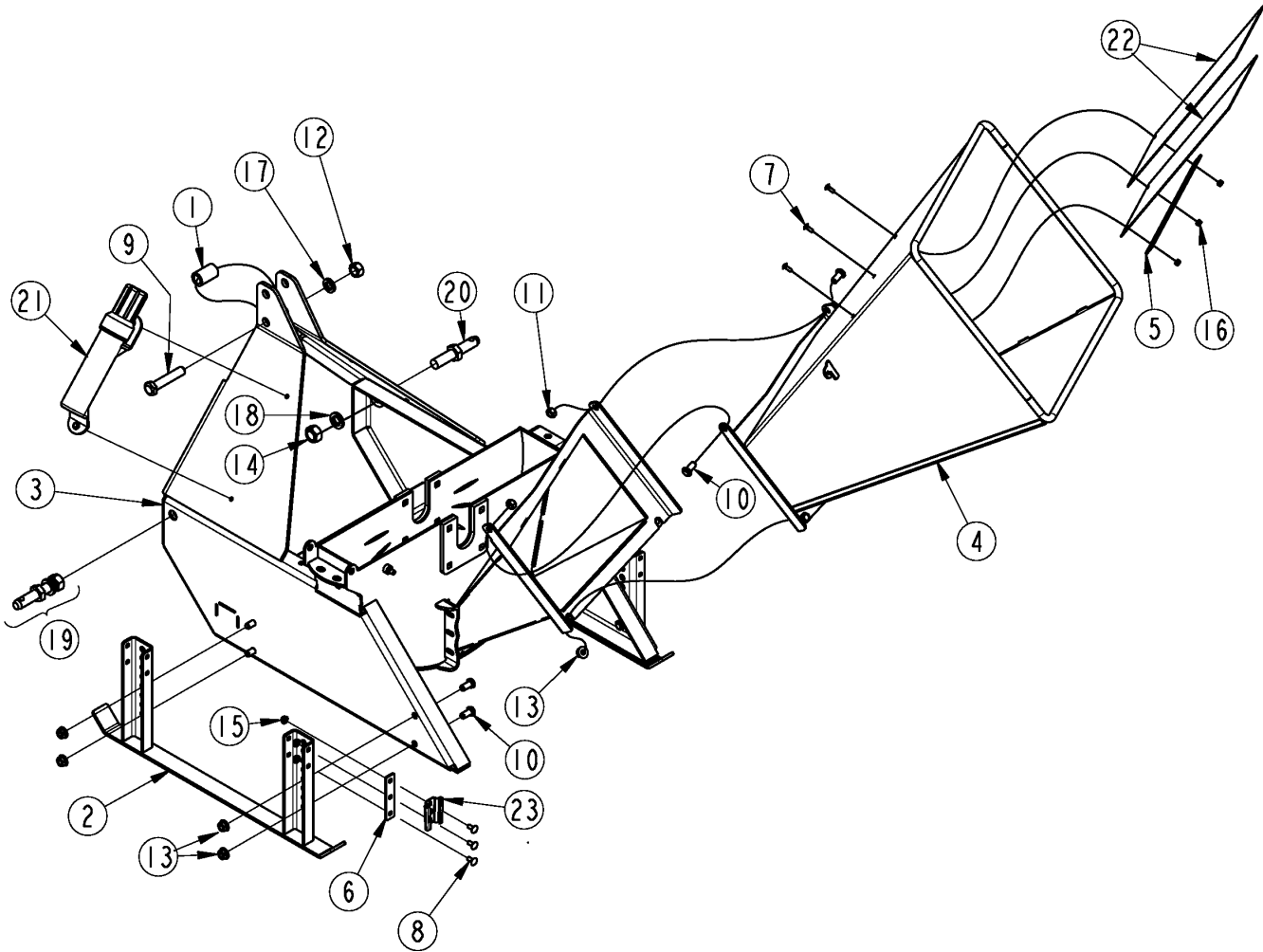
35428

**Discharge Chute Components****Applies to WC1504**

<b>Ref</b>	<b>Part No.</b>	<b>Part Description</b>	<b>Comments</b>	<b>Revision</b>
	dwg35428	Drawing Image Number		
1.	328-064H	ROTATION CHUTE LOCK WLDMT		
2.	328-094H	HOUSING, UPPER ROTOR		
2.	328-094H81	HOUSING, UPPER ROTOR GREEN		
2.	328-094H82	HOUSING, UPPER ROTOR ORANGE		
3.	328-096H	DISHCHARGE CHUTE WLDMT		
4.	328-166D	STRAP LOCKING		
5.	328-267D	DEFLECTOR, CHUTE		
6.	328-268D	SPACER FRONT HALF RING		
7.	328-269D	SPACER REAR HALF RING		
8.	328-270D	CLAMP LOWER CHUTE FRONT		
9.	328-271D	CLAMP LOWER CHUTE REAR		
10.	328-280D	LATCH PIVOTING		
11.	802-004C	HHCS 1/4-20X3/4 GR5		
12.	802-005C	HHCS 1/4-20X1 GR5		
13.	802-083C	HFSS 1/2-13X1 1/4 GR8		
14.	802-149C	RHSNB 3/8-16X3/4 GR5		
15.	803-007C	NUT LOCK 1/4-20 PLT		
16.	803-147C	NUT HEX NYLOCK 1/2-13		
17.	803-380C	NUT,3/8-16 PLT REGULAR ACORN		
18.	805-067C	PIN COTTER 1/8 X 3/4		
19.	805-165C	PIN CLVS .38X3.02 USBL		
20.	805-240C	PIN LINCH 3/16 X 1 9/16 LONG		
21.	807-331C	SPRING WAVE .56ODX.38IDX.325L		
22.	817-259C	KNOB 3/8-16 FEMALE THD 2 3/8OD		
23.	817-988C	UHMW CHUTE BEARING WC1504		

# Frame & Feed Chute Components

Applies to WC1504



35429

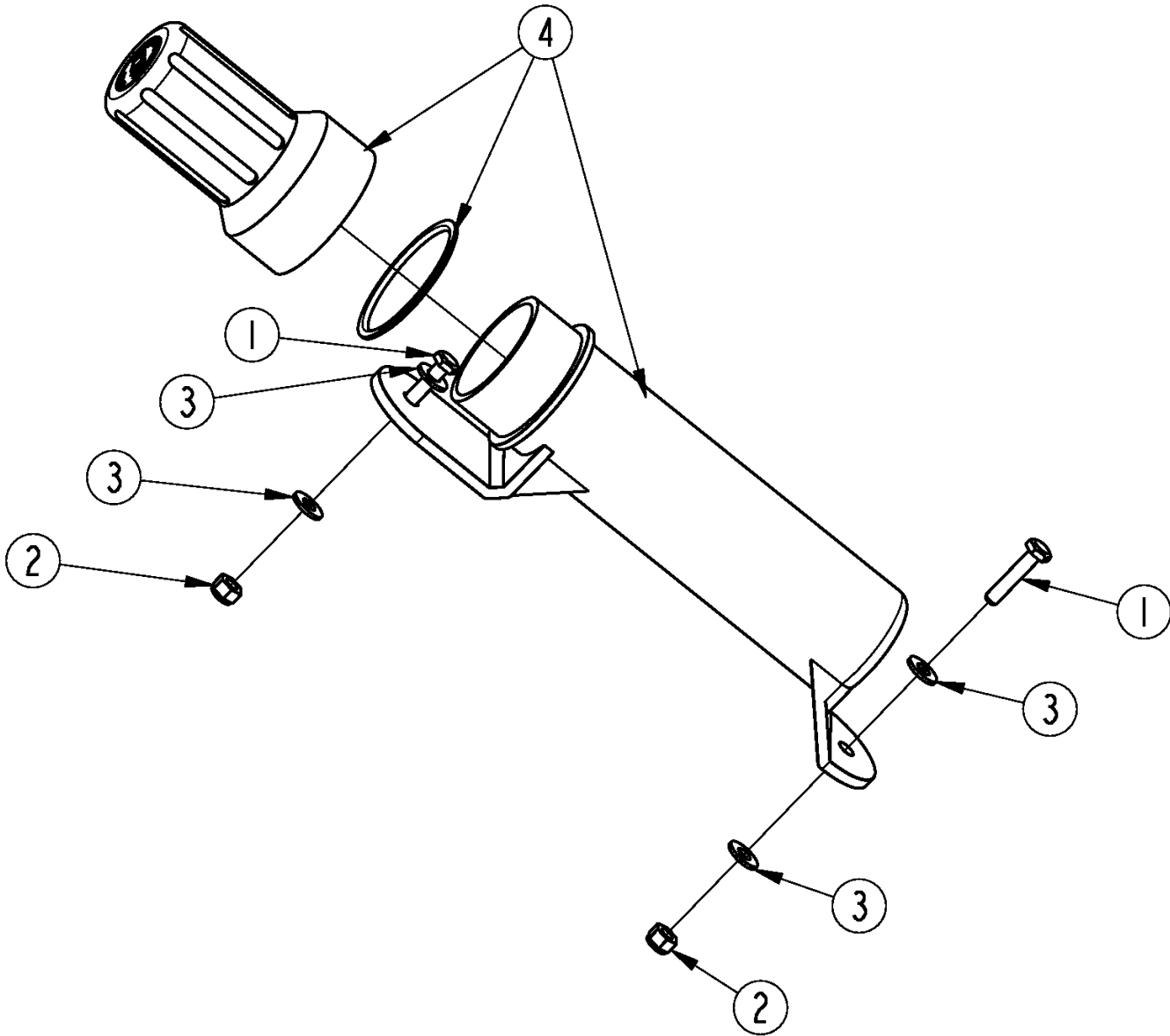


**Frame & Feed Chute Components****Applies to WC1504**

<b>Ref</b>	<b>Part No.</b>	<b>Part Description</b>	<b>Comments</b>	<b>Revision</b>
	Dwg 35429	Drawing Image Number		
1.	308-400D	SPACER 1 1/4OD X 13/16ID X 2LG		
2.	328-078H	SKID EXTENSION		
3.	328-086H	LOWER FRAME WLDMT 4"		
3.	328-086H81	LOWER FRAME WLDMT 4" GREEN		
3.	328-086H82	LOWER FRAME WLDMT 4" ORANGE		
4.	328-097H	INLET CHUTE WLDMT		
4.	328-097H81	INLET CHUTE WLDMT GREEN		
4.	328-097H82	INLET CHUTE WLDMT ORANGE		
5.	328-282D	HOLD DOWN STRAP 4"		
6.	328-336D	SMV MOUNT BRACKET	S/N _____+	
7.	802-002C	RHSNB 1/4-20X3/4 GR5		
8.	802-092C	RHSNB 5/16-18X3/4 GR5	S/N _____+	
9.	802-204C	HHCS 3/4-10X3 3/4 GR5		
10.	802-258C	HHCS 1/2-13X1 GR5		
11.	803-019C	NUT LOCK 1/2-13 PLT		
12.	803-027C	NUT HEX 3/4-10 PLT		
13.	803-037C	NUT HEX WHIZ 1/2-13 PLT		
14.	803-149C	NUT HEX 7/8-14 PLT		
15.	803-177C	NUT HEX FLG TP LK 5/16-18ZNYCR	S/N _____+	
16.	803-255C	NUT HEX NYLOCK 1/4-20		
17.	804-023C	WASHER LOCK SPRING 3/4 PLT		
18.	804-037C	WASHER LOCK SPRING 7/8 PLT		
19.	805-111C	PIN HTCH C1 7/8-14 THD W/N		
20.	N/A	PIN HTCH C1 7/8-14 THD W/N		
21.	326-283S	MANUAL CONTAINER KIT, 3/4"		
22.	816-774C	RUBBER FLAP 4"		
23.	890-401C	SMV MOUNTING SOCKET	S/N _____+	

# Manual Tube

Applies to WC1504



39163

**Manual Tube**

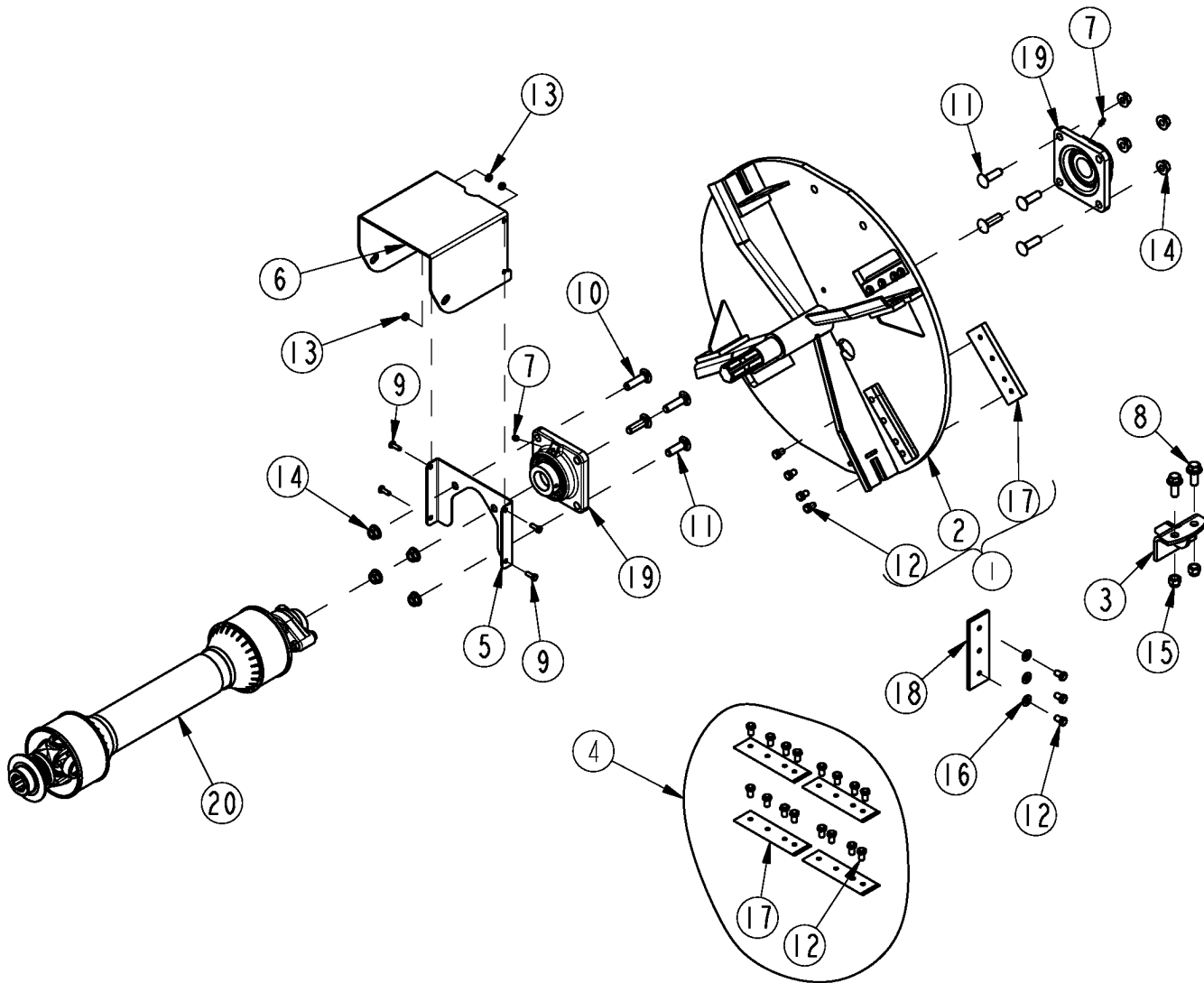
---

**Applies to WC1504**

<b>Ref</b>	<b>Part No.</b>	<b>Part Description</b>	<b>Comments</b>	<b>Revision</b>
	Dwg 39163 326-283S	Image No. MANUAL CONTAINER KIT, 3/4" *		
1.	802-004C	HHCS 1/4-20X3/4 GR5		
2.	803-255C	NUT HEX NYLOCK 1/4-20		
3.	804-007C	WASHER FLAT 1/4 SAE PLT		
4.	816-504C	MANUAL STORAGE CONTAINER		

# Chipper Drive Components

Applies to WC1504



35430

**Chipper Drive Components**

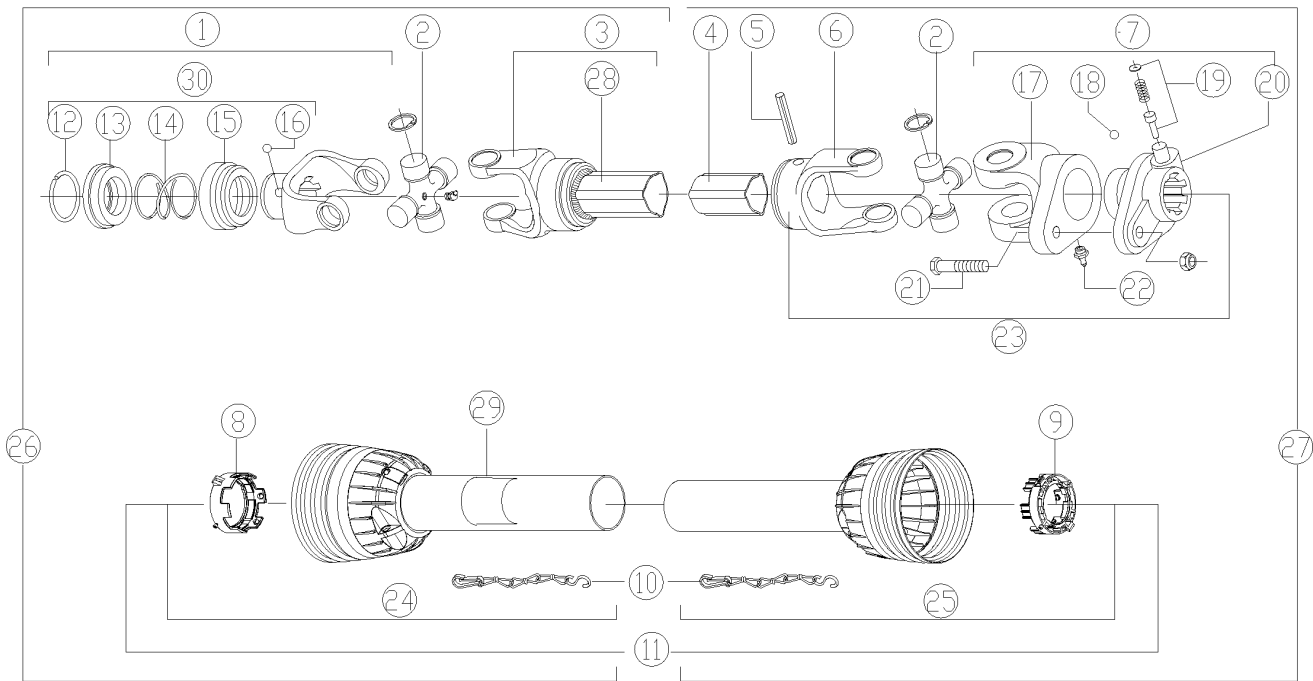
---

**Applies to WC1504**

<b>Ref</b>	<b>Part No.</b>	<b>Part Description</b>	<b>Comments</b>	<b>Revision</b>
	dwg35430	Drawing Image Number		
1.	328-090S	ROTOR W/KNIVES		
2.	328-091H	ROTOR WLDMT		
3.	328-092H	TWIG BREAKER BAR		
4.	328-107A	KNIFE/BOLT KIT	Service Part	
5.	328-247D	BRACKET DVLN FRONT SHIELD		
6.	328-248D	INPUT SHIELD		
7.	800-001C	GREASE ZERK STRAIGHT 1/4-28		
8.	802-083C	HFSS 1/2-13X1 1/4 GR8		
9.	802-004C	HHCS 1/4-20X3/4 GR5		
10.	802-129C	RHSNB 1/2-13X2 GR5		
11.	802-331C	RHSNB 1/2-13X1 3/4 GR5		
12.	802-961C	HHCS 3/8-24X5/8 G8 PLT THD-LCK		
13.	803-007C	NUT LOCK 1/4-20 PLT		
14.	803-037C	NUT HEX WHIZ 1/2-13 PLT		
15.	803-147C	NUT HEX NYLOCK 1/2-13		
16.	804-011C	WASHER FLAT 3/8 USS PLT		
17.	820-517C	KNIFE REVERSIBLE - 25" ROTOR		
18.	820-518C	KNIFE, LEDGER 6"		
19.	822-004C	BRG FLG 1.50ID 4BLT LOCK		
20.	826-776C	DRVLN 540, 2500NM SHEAR		

# Driveline (826-776C)

Applies to WC1504

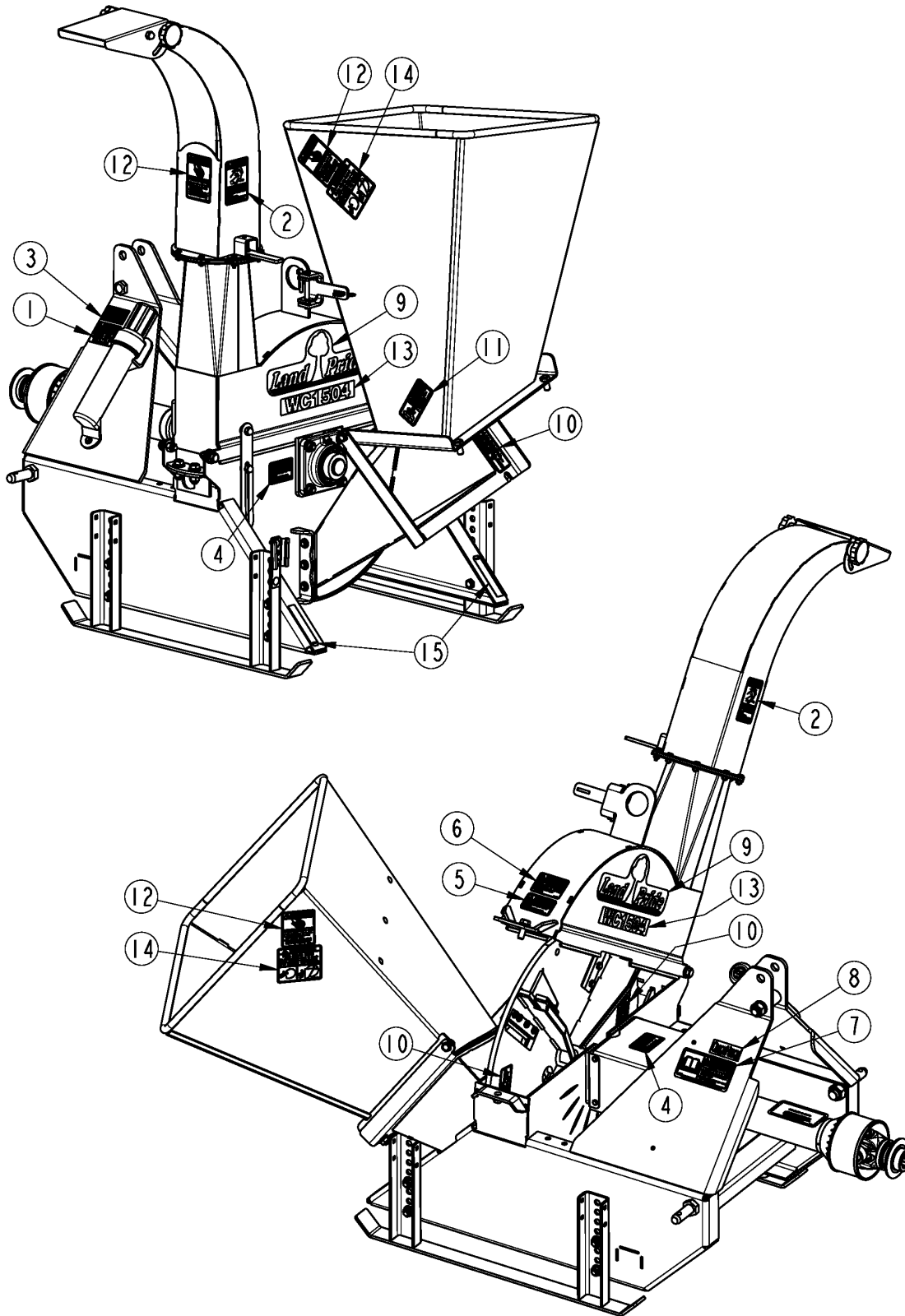


**Driveline (826-776C)****Applies to WC1504**

<b>Ref</b>	<b>Part No.</b>	<b>Part Description</b>	<b>Comments</b>	<b>Revision</b>
	dwg35431	Drawing Image Number		
	826-776C	DRVLN 540, 2500NM SHEAR *		
1.	141.026.544.1	CO COMPLETE COLLAR YOKE C12		
2.	180.016.130	COMER CROSS ASSEMBLY		
3.	122.360.073.1	CO FEMALE TUBE YOKE		
4.	153.160.109	CO INNER TUBE		
5.	190.000.016	COMER ROLL PIN, INNER TUBE		
6.	151.016.029.1	CO INNER YOKE		
7.	143.260.001.1	CO COMPLETE SHEAR BO2 (55XM10)		
8.	180.016.596	CO GRD RETAIN CLLR FOR OTR TB		
9.	180.016.595	CO GRD RETAIN CLLR FOR INR TB		
10.	180.016.790	CO SAFTEY CHAINS		
11.	142.360.160765	CO GUARD W/ INSTRUCTION MAN		
12.	190.000.451	COMER OUTER CIRCLIP		
13.	151.016.486	COMER SLIDING SLEEVE COLLER		
14.	180.016.487	COMER SPRING		
15.	180.016.483	COMER FIXED SLEEVE		
16.	190.000.078	COMER BALL 1/2"		
17.	151.016.042.1	CO YOKE FOR HUB B02 (55XM10)		
18.	190.000.023	CO BALL DIA 5/16"		
19.	166.026.004	COMER PUSH PIN SET 1 3/8		
20.	141.026.043.1	CO HUB B02(55XM10) (1 3/8 Z.6)		
21.	165.000.507	CO BOLT M10X60 CL 8.8 & NUT		
22.	190.000.021	CO GREASE FITING M10X1		
23.	121.026.268.11	CO U JOINT FOR INNER TUBE		
24.	142.366.2027651	CO FEMALE GUARD		
25.	142.367.1667651	CO HALF MALE GUARD		
26.	123.560.285.11	CO HALF FEMALE SHFT W/GUARDING		
27.	123.660.621.11	CO HALF MALE SHFT W/GUARDING		
28.	190.000.098	COMER DANGER LABEL OUTER TUBE		
29.	190.000.099	COMER DANGER LABEL GUARD OUTER		
30.	165.000.628	COMER COLLOR KIT 1-3/8 YOKE		

# Decal Placement

Applies to WC1504



35432



***Decal Placement*****Applies to WC1504**

<b>Ref</b>	<b>Part No.</b>	<b>Part Description</b>	<b>Comments</b>	<b>Revision</b>
	Dwg 35432	Drawing Image Number		
1.	818-130C	DECAL WARNING 540 RPM		
2.	818-132C	DECAL DANGER THROWN OBJECT HAZ		
3.	818-190C	DECAL FLAG		
4.	818-205C	DECAL WARNING MOVING PARTS HAZ		
5.	818-522C	DECAL MOVING PARTS DANGER		
6.	838-093C	DECAL SHARP OBJ HAZARD DISCS		
7.	838-293C	DECAL WARNING READ MANUAL		
7.	818-858C	RPBY 838-293C		
8.	838-517C	DECAL QUICK HITCH SYSTEM		
9.	838-962C	DECAL LP 13" W/TREE BROWN/GOLD	Green & Orange Unit	
9.	818-891C	RPBY 838-962C	Beige Unit	
10.	848-088C	DECAL DANGER GUARD MISSING		
11.	818-798C	DECAL WARNING PINCH POINT GEN	S/N 846945+	
11.	848-531C	DECAL PIC FINGER PINCH POINT	S/N 846944-	
12.	848-840C	DECAL DANGER ROTATING IMPELLER		
13.	858-051C	DECAL WC1504 GOLD		
13.	858-052C	RPBY 858-051C	Obsolete	
14.	858-190C	DECAL, WARNING FLYING OBJECTS	S/N 846945+	
14.	858-107C	RPBY 858-190C	S/N 846944-	
15.	818-335C	DECAL RED NARROW REFLECTOR	S/N 819231+	

***Touch-up Paints - LP***

---

Applies to WC1504

**No diagram associated with this Parts List**

**Touch-up Paints - LP****Applies to WC1504**

<b>Ref</b>	<b>Part No.</b>	<b>Part Description</b>	<b>Comments</b>	<b>Revision</b>
1.	821-011C	LP BEIGE SPRAY CAN	Spray can	
1.	821-011CTU	LP BEIGE TOUCH-UP 5OZ	Touch-up bottle with brush	
1.	821-011CQT	LP BEIGE QUART	Quart can	
1.	821-011CGL	LP BEIGE GALLON	Gallon can	
2.	821-070C	GLOSS BLACK SPRAY CAN	Spray can	
2.	821-070CTU	GLOSS BLACK TOUCH-UP 5OZ	Touch-up bottle with brush	
2.	821-070CQT	GLOSS BLACK QUART	Quart can	
2.	821-070CGL	GLOSS BLACK GALLON	Gallon can	
3.	821-054C	MED. RED SPRAY TRCK/CTR	Spray can	
3.	821-054CTU	MED RED TOUCH-UP 5OZ	Touch-up bottle with brush	
3.	821-054CQT	MED RED QUART	Quart can	
3.	821-054CGL	MED RED GALLON	Gallon can	
4.	821-058C	GREEN SPRAY CUTTERS	Spray can	
4.	821-058CTU	GREEN TOUCH-UP 5OZ	Touch-up bottle with brush	
4.	821-058CQT	GREEN QUART	Quart can	
4.	821-058CGL	GREEN GALLON	Gallon can	
5.	821-066C	ORANGE SPRAY CAN	Spray can	
5.	821-066CTU	ORANGE TOUCH-UP 5OZ	Touch-up bottle with brush	
5.	821-066CQT	ORANGE QUART	Quart can	
5.	821-066CGL	ORANGE GALLON	Gallon can	
6.	821-067C	BLUE SPRAY CAN	Spray can	
6.	821-067CTU	BLUE TOUCH-UP 5OZ	Touch-up bottle with brush	
6.	821-067CQT	BLUE QUART	Quart can	
6.	821-067CGL	BLUE GALLON	Gallon can	
7.	821-080C	PAINT ALUMINUM/ZINC SPRAY CAN	Spray can	
7.	821-080CTU	PAINT ALUMINUM/ZINC TOUCH UP	Touch-up bottle with brush	
7.	821-080CQT	PAINT ALUMINUM/ZINC QUART	Quart can	
7.	821-080CGL	PAINT ALUMINUM/ZINC GALLON	Gallon can	



# Part Number Index

The Part Number Index is a numeric index of all part numbers included in this manual. The index shows what page(s) the part is used on.

<b>Part Number</b>	<b>Page</b>	<b>Part Number</b>	<b>Page</b>	<b>Part Number</b>	<b>Page</b>
121.026.268.11	15	802-961C	13	848-840C	17
122.360.073.1	15	803-007C	7, 13	858-051C	17
123.560.285.11	15	803-019C	9	858-052C	17
123.660.621.11	15	803-027C	9	858-107C	17
141.026.043.1	15	803-037C	9, 13	858-190C	17
141.026.544.1	15	803-147C	7, 13	890-401C	9
142.360.160765	15	803-149C	9	Dwg 35429	9
142.366.2027651	15	803-177C	9	Dwg 35432	17
142.367.1667651	15	803-255C	9, 11	Dwg 39163	11
143.260.001.1	15	803-380C	7	dwg35428	7
151.016.029.1	15	804-007C	11	dwg35430	13
151.016.042.1	15	804-011C	13	dwg35431	15
151.016.486	15	804-023C	9	N/A	9
153.160.109	15	804-037C	9		
165.000.507	15	805-067C	7		
165.000.628	15	805-111C	9		
166.026.004	15	805-165C	7		
180.016.130	15	805-240C	7		
180.016.483	15	807-331C	7		
180.016.487	15	816-504C	11		
180.016.595	15	816-774C	9		
180.016.596	15	817-259C	7		
180.016.790	15	817-988C	7		
190.000.016	15	818-130C	17		
190.000.021	15	818-132C	17		
190.000.023	15	818-190C	17		
190.000.078	15	818-205C	17		
190.000.098	15	818-335C	17		
190.000.099	15	818-522C	17		
190.000.451	15	818-798C	17		
308-400D	9	818-858C	17		
326-283S	9, 11	818-891C	17		
328-064H	7	820-517C	13		
328-078H	9	820-518C	13		
328-086H	9	821-011C	19		
328-086H81	9	821-011CGL	19		
328-086H82	9	821-011CQT	19		
328-090S	13	821-011CTU	19		
328-091H	13	821-054C	19		
328-092H	13	821-054CGL	19		
328-094H	7	821-054CQT	19		
328-094H81	7	821-054CTU	19		
328-094H82	7	821-058C	19		
328-096H	7	821-058CGL	19		
328-097H	9	821-058CQT	19		
328-097H81	9	821-058CTU	19		
328-097H82	9	821-066C	19		
328-107A	13	821-066CGL	19		
328-166D	7	821-066CQT	19		
328-247D	13	821-066CTU	19		
328-248D	13	821-067C	19		
328-267D	7	821-067CGL	19		
328-268D	7	821-067CQT	19		
328-269D	7	821-067CTU	19		
328-270D	7	821-070C	19		
328-271D	7	821-070CGL	19		
328-280D	7	821-070CQT	19		
328-282D	9	821-070CTU	19		
328-336D	9	821-080C	19		
800-001C	13	821-080CGL	19		
802-002C	9	821-080CQT	19		
802-004C	7, 11, 13	821-080CTU	19		
802-005C	7	822-004C	13		
802-083C	7, 13	826-776C	13, 15		
802-092C	9	838-093C	17		
802-129C	13	838-293C	17		
802-149C	7	838-517C	17		
802-204C	9	838-962C	17		
802-258C	9	848-088C	17		
802-331C	13	848-531C	17		

***This Page Intentionally Left Blank***



Great Plains Manufacturing, Inc.

Corporate Office: P.O. Box 5060  
Salina, Kansas 67402-5060 USA

[www.landpride.com](http://www.landpride.com)

---