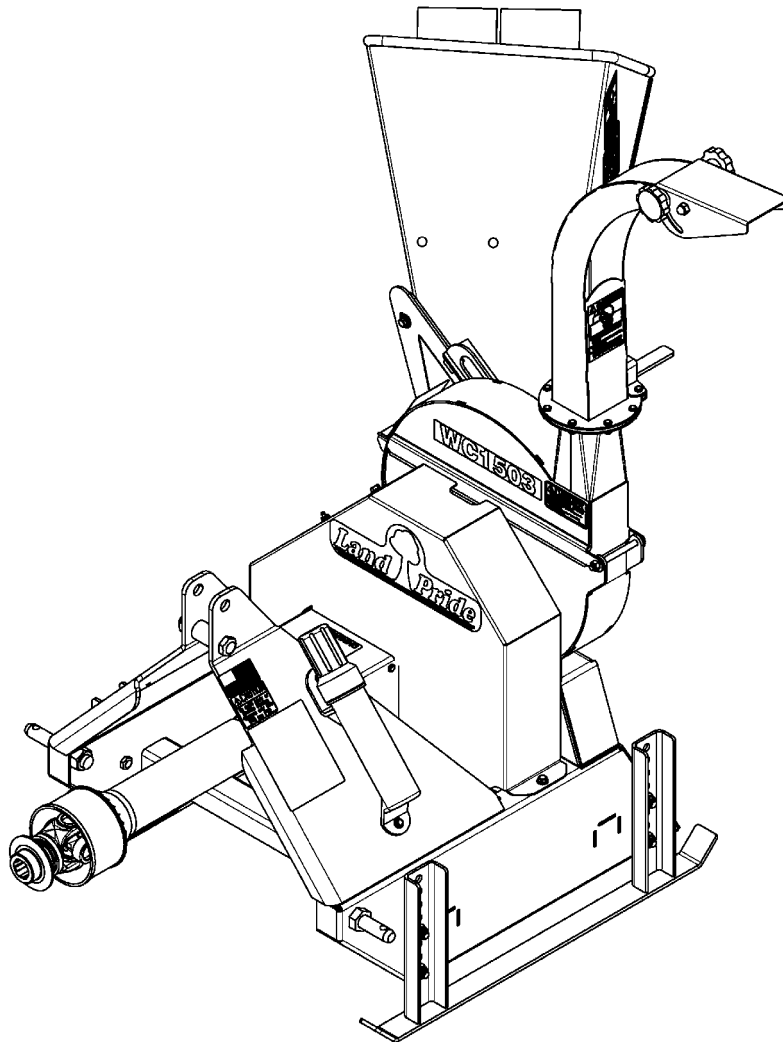


# Wood Chippers

---

## WC1503



35115

### **328-085P** **Parts Manual**



Read the Operator's Manual entirely. When you see this symbol, the subsequent instructions and warnings are serious - follow without exception. Your life and the lives of others depend on it!

© Copyright 2019 Printed 12/17/19

Cover photo may show optional equipment not supplied with standard unit.





# Table of Contents

---

<b>Section 1: Introduction.....</b>	<b>4</b>
Using This Manual.....	4
Manual Replacement Information.....	4
Manual Revisions.....	4
Touch-up Paint.....	4
Hardware Legend.....	5
Replacement Hardware.....	5
Serial Numbers.....	5
Part Number Service Coding.....	5
<b>Section 2: Frame &amp; Chute Components.....</b>	<b>6</b>
Discharge Chute Components.....	6
Frame & Feed Chute Components S/N 795870-.....	8
Frame & Feed Chute Components S/N 795871+.....	10
Manual Tube.....	12
<b>Section 3: Drive Components.....</b>	<b>14</b>
Chipper Input Drive Components.....	14
Chipper Output Drive Components.....	16
Driveline (826-767C) Comer.....	18
<b>Section 4: Decals.....</b>	<b>20</b>
Decal Placement.....	20
Touch-up Paints - LP.....	22
<b>Part Number Index.....</b>	<b>24</b>

© Copyright 2019. All rights reserved.

Land Pride provides this publication “as is” without warranty of any kind, either expressed or implied. While every precaution has been taken in the preparation of this manual, Land Pride assumes no responsibility for errors or omissions. Neither is any liability assumed for damages resulting from the use of the information contained herein. Land Pride reserves the right to revise and improve its products as it sees fit. This publication describes the state of this product at the time of its publication, and may not reflect the product in the future. The illustrations in this manual are not intended for safe and proper assembly or disassembly of equipment. The illustrations are intended for ordering parts only.

Land Pride is registered trademark.

All other brands and product names are trademarks or registered trademarks of their respective holders.

*Printed in the United States of America.*



## Alphabetized Table of Contents

---

<b>C</b>	
	Chipper Input Drive Components.....14
	Chipper Output Drive Components.....16
<b>D</b>	
	Decal Placement.....20
	Discharge Chute Components.....6
	Driveline (826-767C) Comer.....18
<b>F</b>	
	Frame & Feed Chute Components S/N 795870-.....8
	Frame & Feed Chute Components S/N 795871+.....10
<b>M</b>	
	Manual Tube.....12
<b>T</b>	
	Touch-up Paints - LP.....22

# General Information

## Using This Manual

This manual is divided into sections. The first section contains General Information. The remaining sections divide the machine into segments (i.e. Frames, Drives, Hydraulics, etc.) which illustrate and list all parts. A Parts Number Index is located at the back of the book.

The Land Pride parts in this manual are specially designed for this machine and should be replaced with Land Pride parts only.

The information in this manual is current at time of printing. Some parts may change to assure top performance.

Right-hand and left-hand as used in this manual are determined by facing the direction the machine will travel while in use.

Below is an example of two facing pages from a parts manual. Familiarize yourself with the type of information contained on these pages.

## Manual Replacement Information

Replacement manuals are available. Refer to our website at [www.landpride.com](http://www.landpride.com) or e-mail us at [lit@landpride.com](mailto:lit@landpride.com) for additional information. Our website continues to provide the most up-to-date manuals available.

## Touch-up Paint

Repaint parts where paint is worn or scratched to prevent rust. Aerosol cans and touch-up bottles with brush applicator are available through your local dealer. Also available are quart and gallon size paints. Add QT or GL to end of the Aerosol P/N.

Land Pride color descriptions and part numbers are listed on the "Land Pride Touch-up Paints" page in the "Decals" section of this book. Color options vary by product.



## General Information

### Hardware Legend

<b>AR</b>	As Required
<b>BLADE</b>	Blade Bolt
<b>C</b>	Cap Screw
<b>CP</b>	Cotter Pin
<b>CPHSSS</b>	Cup Point Hex Socket Set Screw
<b>CPSHSS</b>	Cup Point Square Head Set Screw
<b>CPSQHSS</b>	Cup Point Square Head Set Screw
<b>CRFCHMS3</b>	Cross Recess Flat Countersunk Head Machine Screw
<b>CRPHMS</b>	Cross Recess Pan Head Machine Screw
<b>CRPHTF</b>	Cross Recess Pan Head Thread Forming
<b>CRRHMS</b>	Cross Recess Round Head Machine Screw
<b>CRTHMS</b>	Cross Recess Truss Head Machine Screw
<b>CSNB</b>	Countersunk Square Neck Bolt
<b>FHMS</b>	Flat Head Machine Screw
<b>FTC</b>	Full Thread Cap Screw
<b>H</b>	Hex Nut
<b>HCLN</b>	Hex Center Lock Nut
<b>HFLCS</b>	Hex Flange Lock Cap Screw
<b>HFS</b>	Hex Flange Screw
<b>HFSLN</b>	Hex Flange Serrated Lock Nut
<b>HFSS</b>	Hex Flange Serrated Screw
<b>HHCS</b>	Hex Head Cap Screw or Metric Bolt
<b>HSBHCS</b>	Hex Socket Button Head Cap Screw
<b>HSFCHCS</b>	Hex Socket Flat Countersunk Head Cap Screw
<b>HSHCS</b>	Hex Socket Head Cap Screw
<b>HSSS</b>	Hex Socket Head Screw
<b>HTLN</b>	Hex Top Lock Nut
<b>HWHCS</b>	Hex Washer Head Cap Screw

<b>HWHMS</b>	Hex Washer Head Machine Screw
<b>HXBHCS</b>	Hex Socket Button Head Cap Screw
<b>J</b>	Hex Jam Nut
<b>JIC</b>	37 Degree Tapered Thread
<b>L</b>	Helical Spring Lock Washer
<b>LUG</b>	Lug Bolt
<b>NFC</b>	National Fine Cap Screw
<b>NPSM</b>	National Pipe Straight Mechanical
<b>NPTF</b>	National Pipe Taper Fuel
<b>P</b>	Wide Plain Washer
<b>PHMS</b>	Pan Head Machine Screw
<b>PLOW</b>	Plow Bolt
<b>RHMS</b>	Round Head Machine Screw
<b>RHSNB</b>	Round Head Square Neck Bolt
<b>SCREW LEVELING</b>	Leveling Screw
<b>SCREW THUMB</b>	Thumb Screw
<b>SCREW WELD</b>	Weld Screw
<b>SFCHMS</b>	Slotted Flat Countersunk Head Machine Screw
<b>SFHMS</b>	Slotted Fillister Head Machine Screw
<b>SP</b>	Special
<b>SP SCREW</b>	Special Screw
<b>SQHSS</b>	Square Head Set Screw
<b>SRHMS</b>	Slotted Round Head Machine Screw
<b>SSS</b>	Socket Set Screw
<b>STCS</b>	Self Tapping Cap Screw
<b>STHMS</b>	Slotted Truss Head Machine Screw
<b>WHEEL</b>	Wheel Studs and Hub Long Bolts
<b>WING</b>	Wing Bolt

### Replacement Hardware

The **Hardware Legend** above lists hardware abbreviations used in the parts list. All bolts and nuts are Grade 5 unless otherwise noted. The use of improper grades of hardware can result in personal injury, damage to equipment, or loss of property.

### Colored Replacement Parts

Land Pride offers replacement parts in factory standard colors and also on select models in Green, Orange, Red and Blue. Because of the variety of colors available, special attention must be given to the part number to prevent ordering the wrong replacement part.

A suffix number corresponding to one of the colors below must be added at the end of Land Pride's part number when ordering a replacement part with that color.

**81 . . . . . Green      83 . . . . . Red**  
**82 . . . . . Orange    84 . . . . . Blue**

For example, if you are ordering a replacement part with part number 555-555C and the part you need is red, then add the suffix 83 to the end of the number to make the part number read 555-555C83. Parts ordered without a suffix number will be supplied in factory standard colors.

### Black Replacement Parts

Some parts are factory standard black and some must be special ordered black. If your part is special ordered black, a second part number with the additional suffix number 85 on the end will be available. In this situation you must order that part with the suffix number for it to be black. Parts that are factory standard black will not have the suffix number.

### Part Number Service Coding

Within the parts list some part numbers are coded for revisions and interchangeability. See notations in revision column.

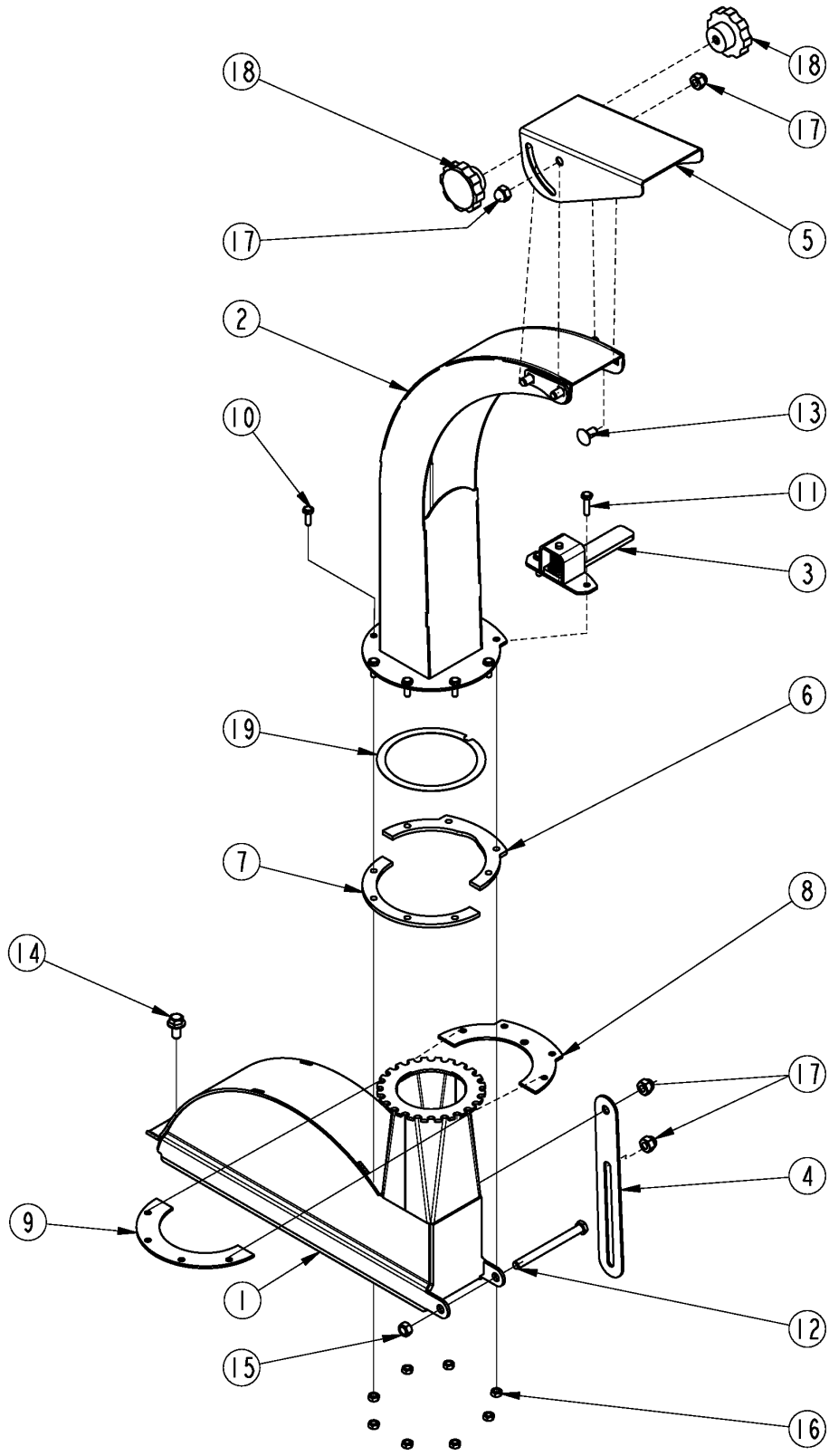
### Serial Numbers

Always use the serial and model number when ordering parts. Refer to the Operator's Manual for serial number plate location.

- |                      |                                                                  |
|----------------------|------------------------------------------------------------------|
| (S/N 20001+)         | Includes serial numbers 20001 and above (to the latest number)   |
| (S/N 10001 to 20000) | Includes serial numbers between and including 10001 and 20000    |
| (S/N 10000-)         | Includes serial numbers 10000 and below (to the earliest number) |

# Discharge Chute Components

Applies to WC1503



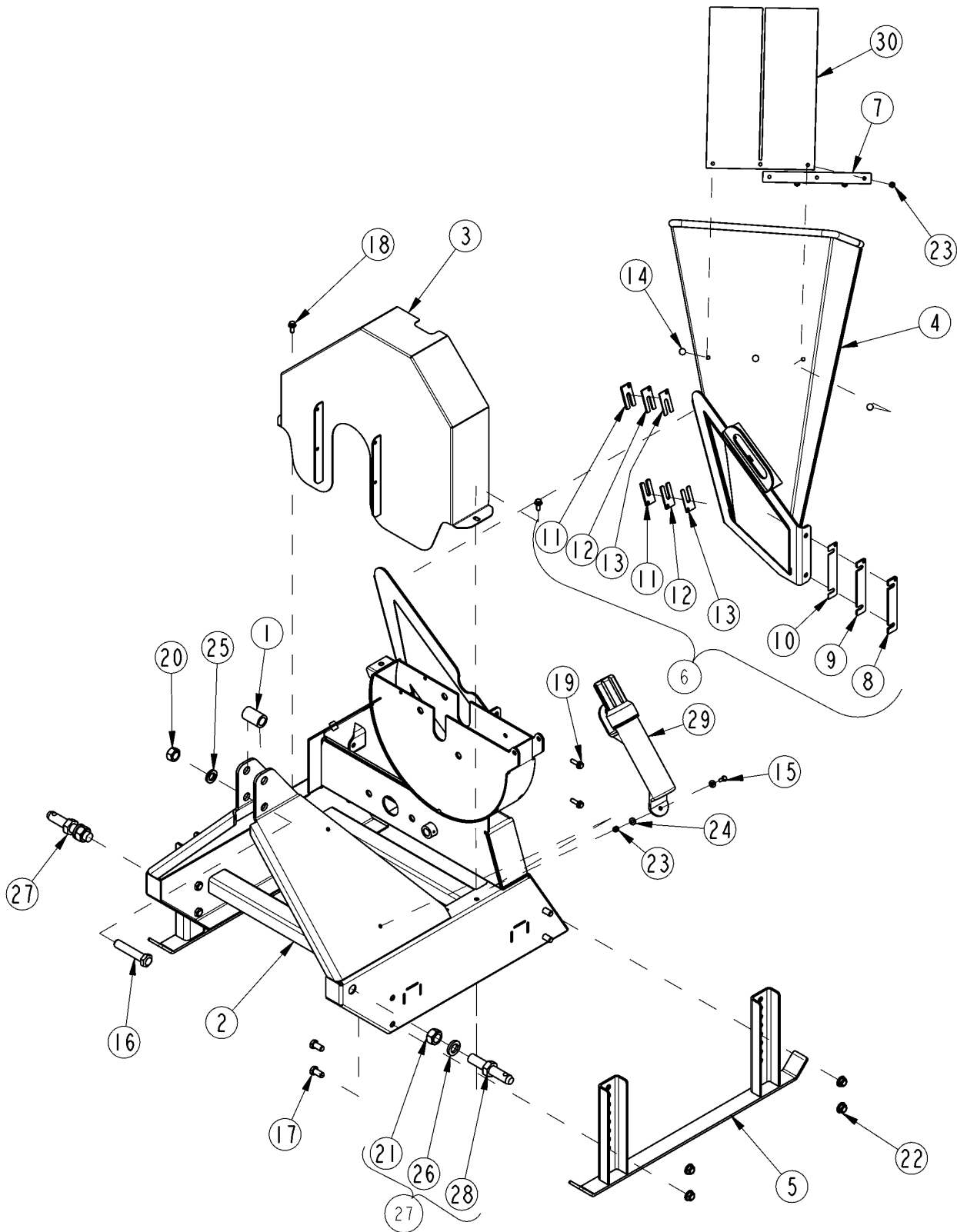
35179

**Discharge Chute Components****Applies to WC1503**

<b>Ref</b>	<b>Part No.</b>	<b>Part Description</b>	<b>Comments</b>	<b>Revision</b>
	Dwg 35179	Drawing Image Number		
1.	328-061H	HOUSING, UPPER ROTOR		
1.	328-061H81	HOUSING, UPPER ROTOR GREEN		
1.	328-061H82	HOUSING, UPPER ROTOR ORANGE		
2.	328-062H	DISHCHARGE CHUTE WLDMT		
3.	328-064H	ROTATION CHUTE LOCK WLDMT		
4.	328-166D	STRAP LOCKING		
5.	328-174D	DEFLECTOR, CHUTE		
6.	328-177D	SPACER FRONT HALF RING		
7.	328-178D	SPACER REAR HALF RING		
8.	328-179D	CLAMP LOWER CHUTE FRONT		
9.	328-180D	CLAMP LOWER CHUTE REAR		
10.	802-004C	HHCS 1/4-20X3/4 GR5		
11.	802-005C	HHCS 1/4-20X1 GR5		
12.	802-750C	HHCS 3/8-16X4 1/4 GR5	S/N 935682+	
12.	802-017C	HHCS 3/8-16X1 GR5	S/N 935681-	
13.	802-149C	RHSNB 3/8-16X3/4 GR5		
14.	802-185C	HFSS 3/8-16X3/4 LG		
15.	803-013C	NUT LOCK 3/8-16 PLT		
16.	803-007C	NUT LOCK 1/4-20 PLT		
17.	803-380C	NUT,3/8-16 PLT REGULAR ACORN		
18.	817-259C	KNOB 3/8-16 FEMALE THD 2 3/8OD		
19.	817-986C	UHMW CHUTE BEARING		

**Frame & Feed Chute Components S/N 795870-**

Applies to WC1503



35116

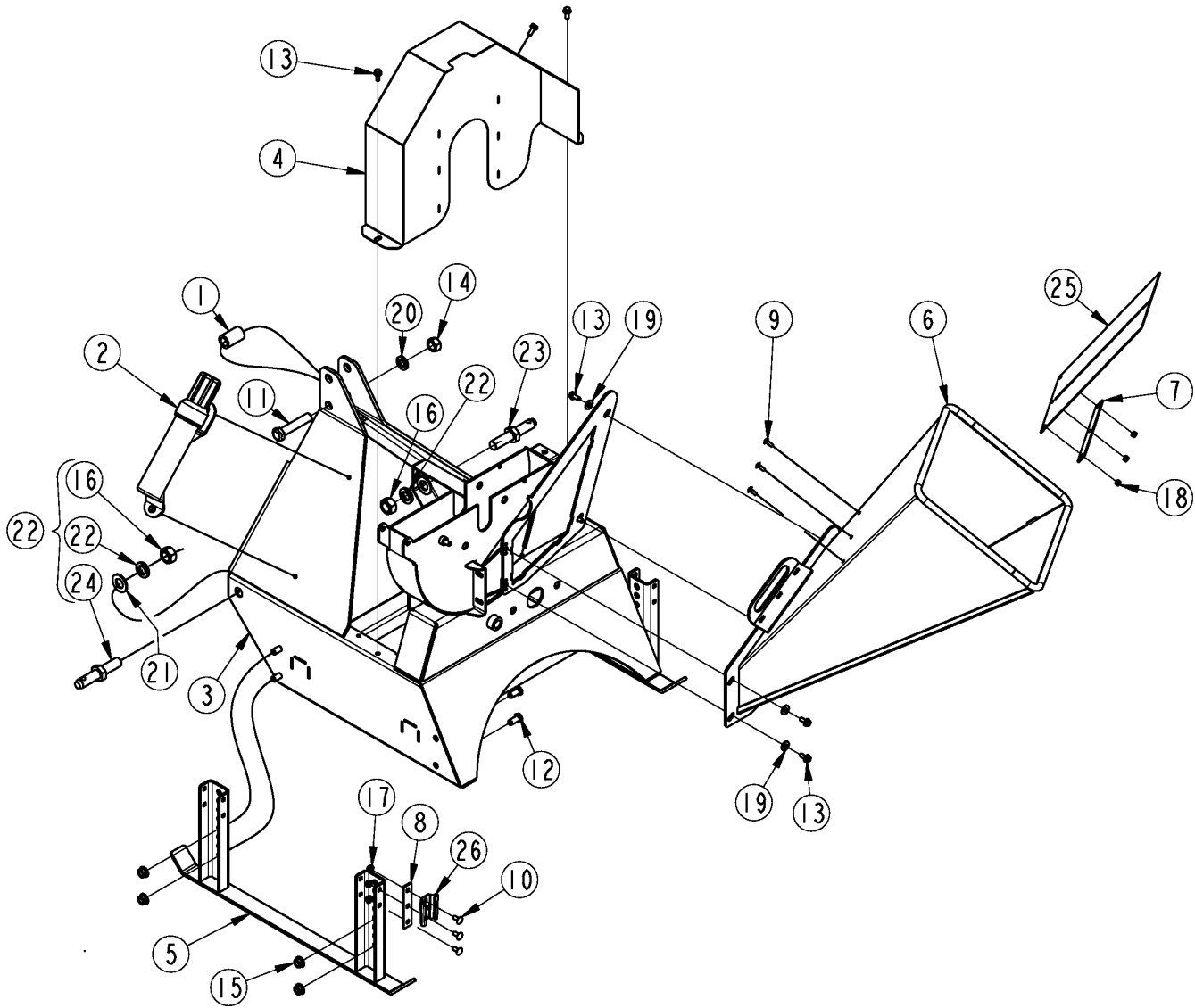


**Frame & Feed Chute Components S/N 795870-****Applies to WC1503**

<b>Ref</b>	<b>Part No.</b>	<b>Part Description</b>	<b>Comments</b>	<b>Revision</b>
	dwg35116	Drawing Image Number		
1.	308-400D	SPACER 1 1/4OD X 13/16ID X 2LG		
2.	328-057H	FRAME LOWER WLDMT		
2.	328-057H81	FRAME LOWER WLDMT GREEN		
2.	328-057H82	FRAME LOWER WLDMT ORANGE		
3.	328-060H	PULLEY SHROUD		
3.	328-060H81	PULLEY SHROUD GREEN		
3.	328-060H82	PULLEY SHROUD ORANGE		
4.	328-065H	FEED CHUTE WLDMT 3"		
4.	328-065H81	FEED CHUTE WLDMT 3" GREEN		
4.	328-065H82	FEED CHUTE WLDMT 3" ORANGE		
5.	328-078H	SKID EXTENSION		
6.	328-102A	SHIM KIT REAR INLET		
7.	328-191D	HOLD DOWN STRAP		
8.	328-283D	SHIM .187 LH REAR INLET		
9.	328-284D	SHIM .134 LH REAR INLET		
10.	328-285D	SHIM .075 LH REAR INLET		
11.	328-286D	SHIM .187 RH REAR INLET		
12.	328-287D	SHIM .134 RH REAR INLET		
13.	328-288D	SHIM .075 RH REAR INLET		
14.	802-002C	RHSNB 1/4-20X3/4 GR5		
15.	802-004C	HHCS 1/4-20X3/4 GR5		
16.	802-204C	HHCS 3/4-10X3 3/4 GR5		
17.	802-258C	HHCS 1/2-13X1 GR5		
18.	802-387C	HFS 5/16-18X3/4 GR5		
19.	802-431C	HFSS 5/16-18X1 GR5 PLT		
20.	803-027C	NUT HEX 3/4-10 PLT		
21.	803-149C	NUT HEX 7/8-14 PLT		
22.	803-169C	NUT HEX FLG LOCK 1/2-13 PLT		
23.	803-255C	NUT HEX NYLOCK 1/4-20		
24.	804-007C	WASHER FLAT 1/4 SAE PLT		
25.	804-023C	WASHER LOCK SPRING 3/4 PLT		
26.	804-037C	WASHER LOCK SPRING 7/8 PLT		
27.	805-111C	PIN HTCH C1 7/8-14 THD W/N		
28.	N/A	PIN DRAW 7/8 X 5		
29.	816-504C	MANUAL STORAGE CONTAINER		
30.	816-699C	RUBBER FLAP		

**Frame & Feed Chute Components S/N 795871+**

Applies to WC1503



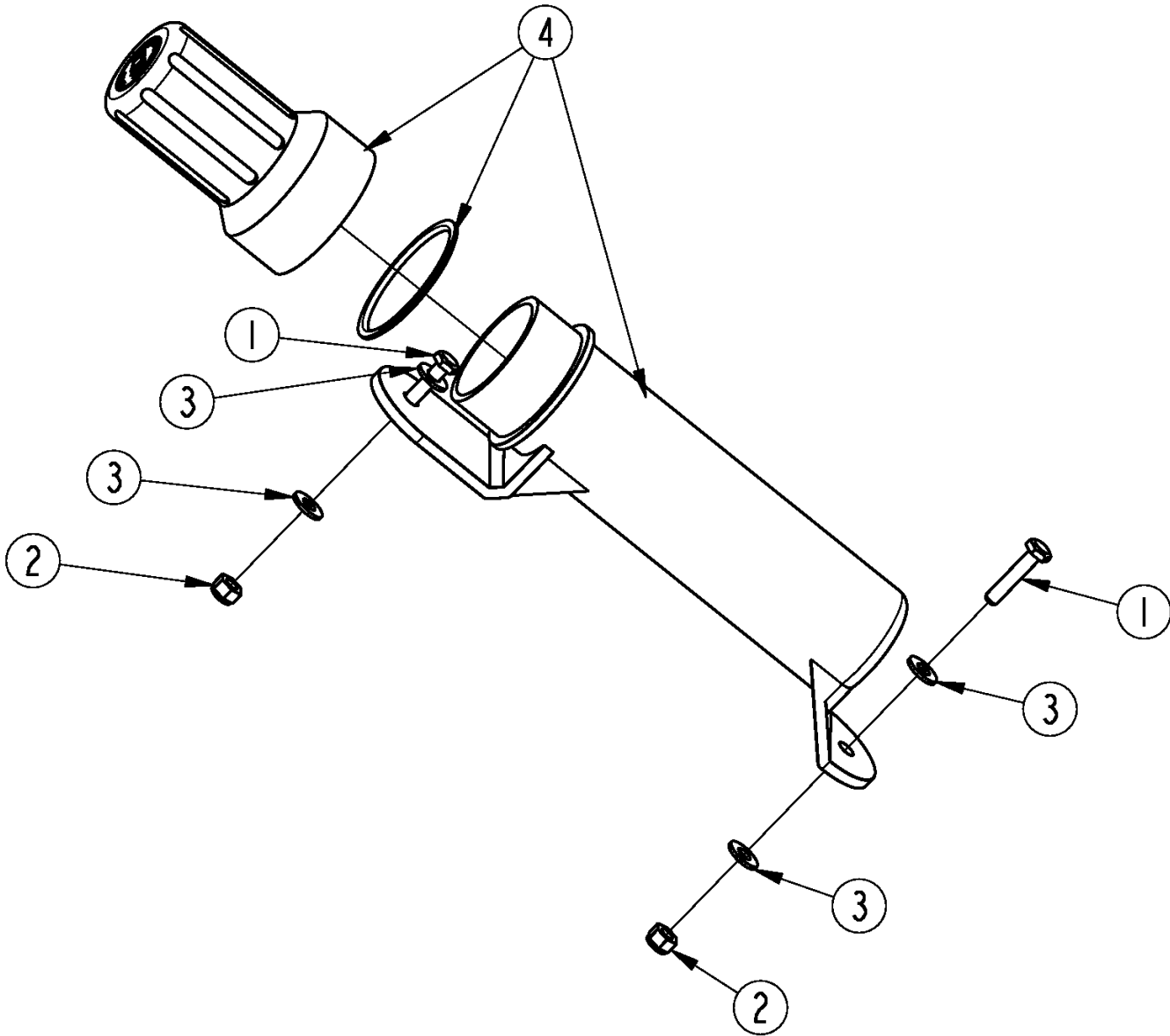
35467

**Frame & Feed Chute Components S/N 795871+****Applies to WC1503**

Ref	Part No.	Part Description	Comments	Revision
	Dwg 35467	Drawing Image Number		
1.	308-400D	SPACER 1 1/4OD X 13/16ID X 2LG		
2.	326-283S	MANUAL CONTAINER KIT, 3/4"		
3.	328-057H	FRAME LOWER WLDMT		
3.	328-057H81	FRAME LOWER WLDMT GREEN		
3.	328-057H82	FRAME LOWER WLDMT ORANGE		
4.	328-060H	PULLEY SHROUD		
4.	328-060H81	PULLEY SHROUD GREEN		
4.	328-060H82	PULLEY SHROUD ORANGE		
5.	328-078H	SKID EXTENSION		
6.	328-103H	FEED CHUTE WLDMT 3"		
6.	328-103H81	FEED CHUTE WLDMT 3" GREEN		
6.	328-103H82	FEED CHUTE WLDMT 3" ORANGE		
7.	328-191D	HOLD DOWN STRAP		
8.	328-336D	SMV MOUNT BRACKET	S/N _____+	
9.	802-002C	RHSNB 1/4-20X3/4 GR5		
10.	802-092C	RHSNB 5/16-18X3/4 GR5	S/N _____+	
11.	802-204C	HHCS 3/4-10X3 3/4 GR5		
12.	802-258C	HHCS 1/2-13X1 GR5		
13.	802-387C	HFS 5/16-18X3/4 GR5		
14.	803-027C	NUT HEX 3/4-10 PLT		
15.	803-037C	NUT HEX WHIZ 1/2-13 PLT GR5		
16.	803-149C	NUT HEX 7/8-14 PLT		
17.	803-177C	NUT HEX FLG TP LK 5/16-18ZNYCR	S/N _____+	
18.	803-255C	NUT HEX NYLOCK 1/4-20		
19.	804-010C	WASHER FLAT 5/16 USS PLT		
20.	804-023C	WASHER LOCK SPRING 3/4 PLT		
21.	804-026C	WASHER FLAT 7/8 SAE PLT		
22.	804-037C	WASHER LOCK SPRING 7/8 PLT		
23.	805-111C	PIN HTCH C1 7/8-14 THD W/N		
24.	N/A	PIN HTCH C1 7/8-14 THD		
25.	816-699C	RUBBER FLAP		
26.	890-401C	SMV MOUNTING SOCKET	S/N _____+	

# Manual Tube

Applies to WC1503



39163

**Manual Tube**

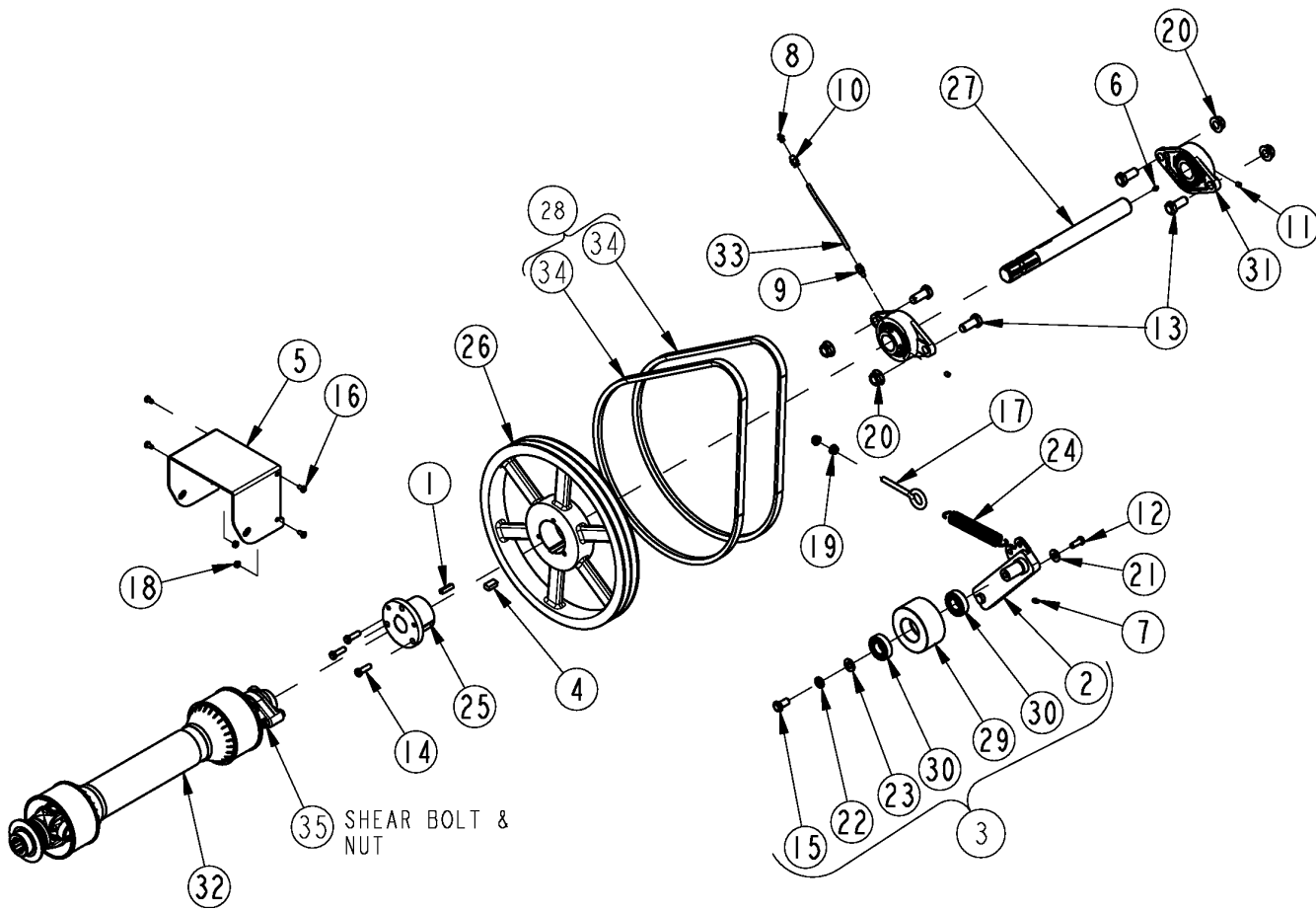
---

**Applies to WC1503**

<b>Ref</b>	<b>Part No.</b>	<b>Part Description</b>	<b>Comments</b>	<b>Revision</b>
	Dwg 39163 326-283S	Image No. MANUAL CONTAINER KIT, 3/4" *		
1.	802-004C	HHCS 1/4-20X3/4 GR5		
2.	803-255C	NUT HEX NYLOCK 1/4-20		
3.	804-007C	WASHER FLAT 1/4 SAE PLT		
4.	816-504C	MANUAL STORAGE CONTAINER		

# Chipper Input Drive Components

Applies to WC1503



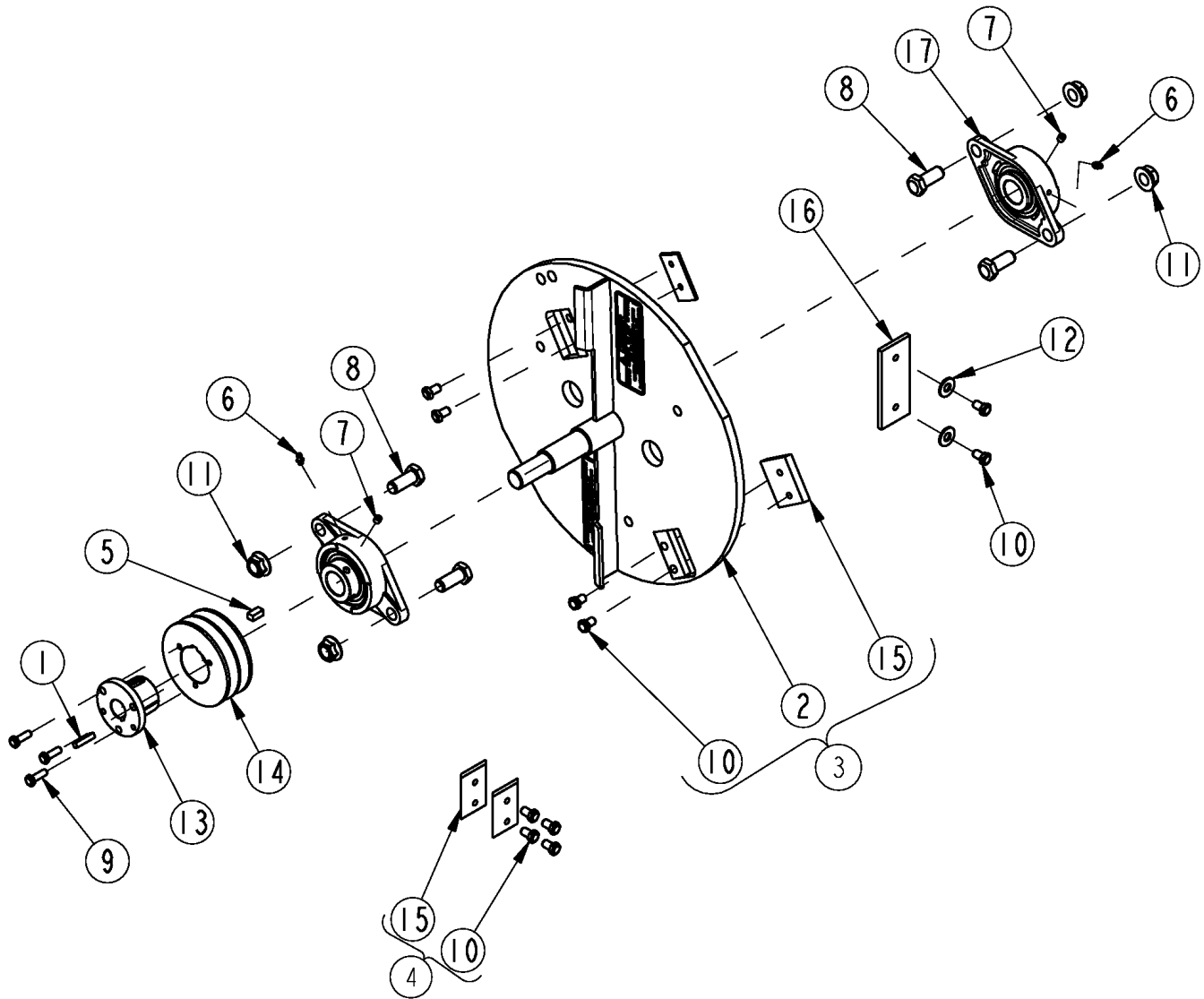
35180

**Chipper Input Drive Components****Applies to WC1503**

Ref	Part No.	Part Description	Comments	Revision
	dwg35180	Drawing Image Number		
1.	314-099D	KEY 5/16 X 1 1/4 LONG		
2.	328-058H	IDLER ARM WLDMT		
3.	328-059S	IDLER ARM ASY		
4.	328-145D	KEY RECT 1/2 X 3/8 X 1" LG		
5.	328-169D	INPUT SHIELD		
6.	800-001C	GREASE ZERK STRAIGHT 1/4-28		
7.	800-080C	GREASE ZERK 1/4-28 THD FORMING		
8.	800-130C	GREASE ZERK STRAIGHT 1/8-27NPT		
9.	800-211C	GREASE ADAPT 1/4-28M X 1/4 TB		
10.	800-372C	FTG TUBE, PUSH CONNECT 1/8NPT		
11.	801-027C	SCR HEX SCKT. 5/16-24 X 5/16		
12.	802-017C	HHCS 3/8-16X1 GR5		
13.	802-051C	HHCS 5/8-11X1 1/2 GR5		
14.	802-079C	HHCS 3/8-16X1 1/4 GR5		
15.	802-258C	HHCS 1/2-13X1 GR5		
16.	802-301C	HHCS 1/4-20X1/2 GR5		
17.	802-674C	CLOSED EYE BOLT 3/8-16X4 1/2		
18.	803-007C	NUT LOCK 1/4-20 PLT		
19.	803-068C	NUT HEX FLANGE 3/8-16 PLT		
20.	803-196C	NUT HEX FLANGE 5/8-11 PLT		
21.	804-011C	WASHER FLAT 3/8 USS PLT		
22.	804-015C	WASHER LOCK SPRING 1/2 PLT		
23.	804-016C	WASHER FLAT 1/2 SAE PLT		
24.	807-272C	SPRING EXT 1.00OD .148W 6.50L		
25.	808-445C	BSHG, Q1 SPLIT TAPER		
26.	808-447C	PULLEY, 2TB160 SHEAVE		
27.	815-391C	DRIVE SHAFT 1 3/8-6 W/KEYWAY		
28.	816-737C	V-BELT, B-SEC. 59 PL (PAIR)		
29.	817-950C	BELT TENSIONER 2BELT UHMW		
30.	822-257C	BRG, 1.00IDX2.046ODX.59SEAL		
31.	822-275C	BRG, FLG 1 3/8ID 2 BOLT		
32.	826-767C	DRIVELINE 540,1700NM SHEARBOLT		
33.	990-109R	TUBE NYLON 1/4OD X 062WL	1 FT. Sold per Foot	
34.	N/A	V-BELT, B-SEC. 59 PL		
35.	165.000.505	CO BOLT & NUT M8X50 CL.8.8		

# Chipper Output Drive Components

Applies to WC1503



35181



**Chipper Output Drive Components**

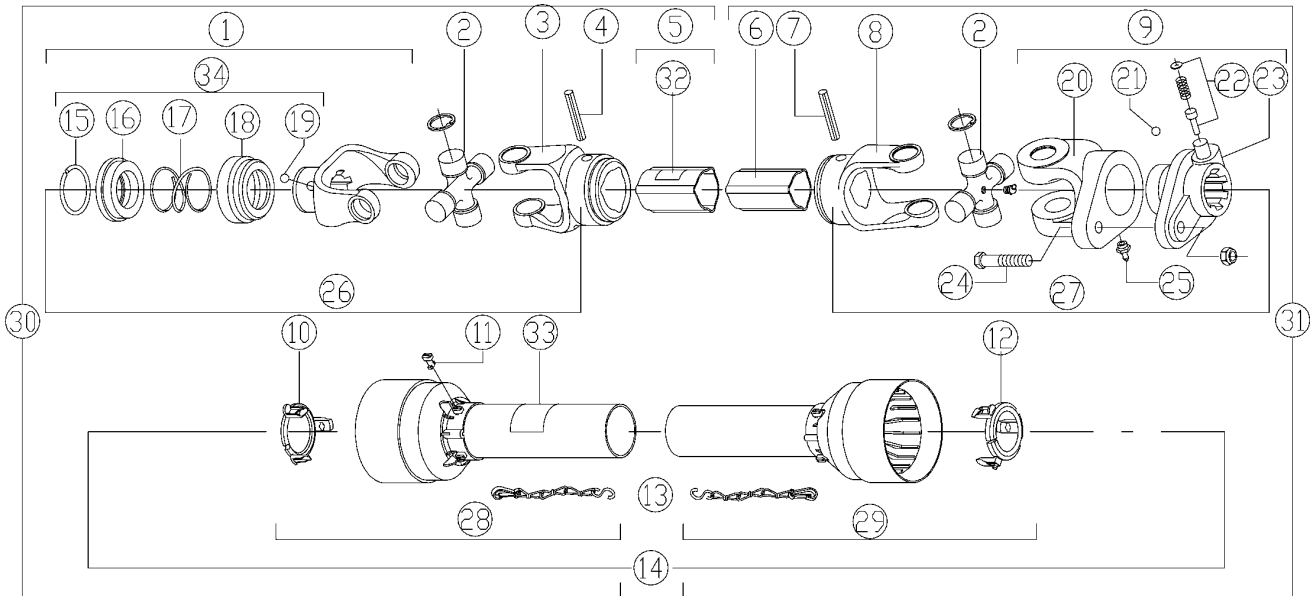
---

**Applies to WC1503**

<b>Ref</b>	<b>Part No.</b>	<b>Part Description</b>	<b>Comments</b>	<b>Revision</b>
	dwg35181	Drawing Image Number		
1.	168-276D	KEY 1/4 X 1/4 X 1 1/4 LG		
2.	328-055H	ROTOR WLDMT		
3.	328-056S	ROTOR W/KNIVES		
4.	328-106A	KNIVE/BOLT KIT	Service Part	
5.	328-144D	KEY RECT 3/8 X 5/16 X 3/4 LG		
6.	800-001C	GREASE ZERK STRAIGHT 1/4-28		
7.	801-027C	SCR HEX SCKT. 5/16-24 X 5/16		
8.	802-051C	HHCS 5/8-11X1 1/2 GR5		
9.	802-159C	HHCS 5/16-18X1 GR5		
10.	802-961C	HHCS 3/8-24X5/8 G8 PLT THD-LCK		
11.	803-196C	NUT HEX FLANGE 5/8-11 PLT		
12.	804-011C	WASHER FLAT 3/8 USS PLT		
13.	808-444C	BSHG, P1 SPLIT TAPER		
14.	808-446C	PULLEY, 2TB42 SHEAVE		
15.	820-472C	KNIFE REVERSIBLE - 17.5 ROTOR		
16.	820-476C	KNIFE, LEDGER 3"		
17.	822-274C	BRG, FLG 1 1/4ID 2 BOLT		

# Driveline (826-767C) Comer

Applies to WC1503



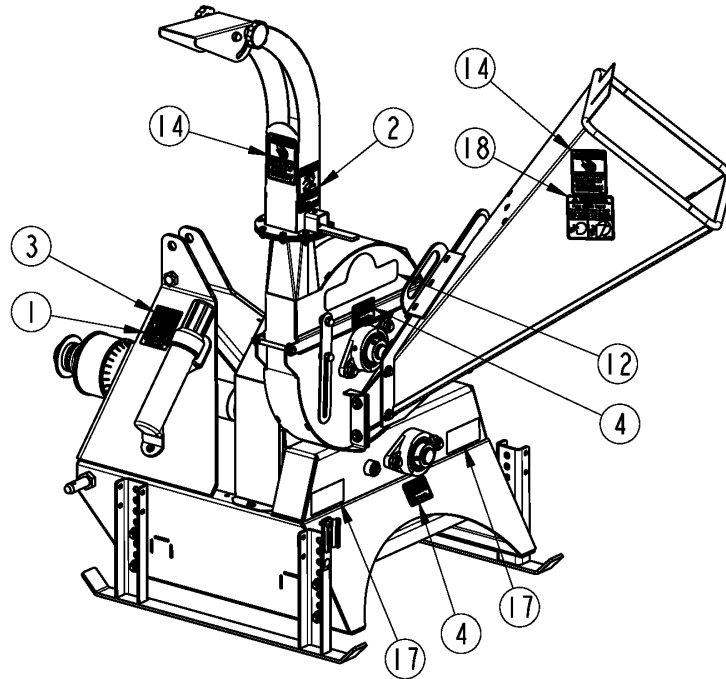
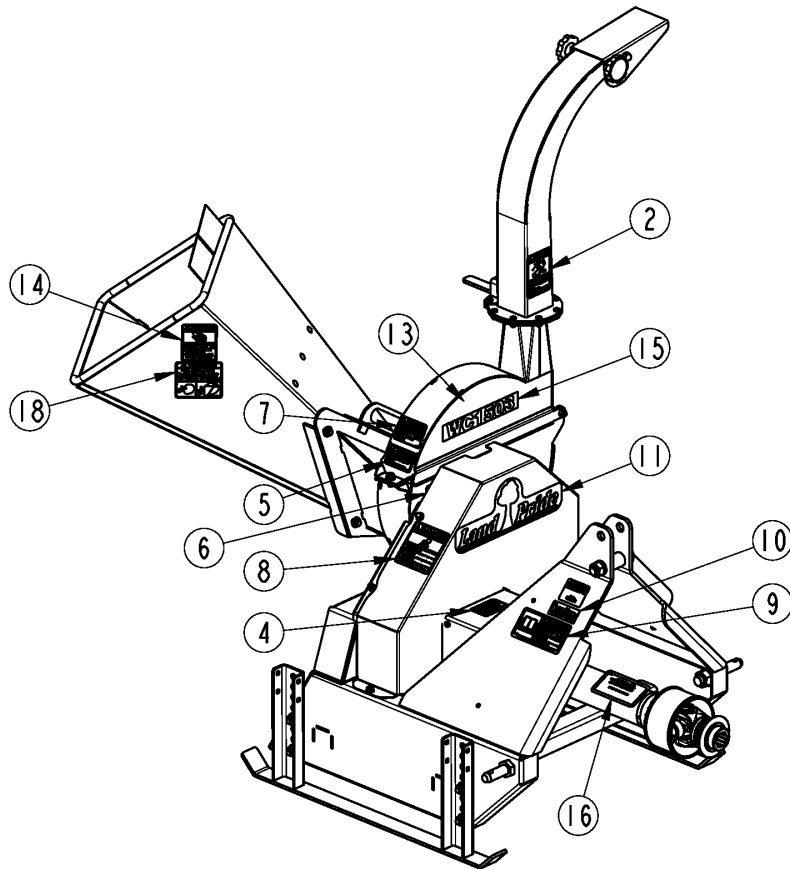
35226

**Driveline (826-767C) Comer****Applies to WC1503**

Ref	Part No.	Part Description	Comments	Revision
	Dwg 35226 826-767C	Drawing Image Number DRIVELINE 540,1700NM SHEARBOLT *		
1.	141.024.430	RPBY 141.024.430.1	Obsolete	
2.	180.014.130	CO CROSS JOURNAL SET		
3.	151.014.006	CO OUTER YOKE W/LABEL		
4.	190.000.014	CO ROLL PIN FOR OUTER TUBE		
5.	152.140.2920710	CO OUTER TUBE		
6.	153.140.200	CO INNER TUBE		
7.	190.000.012	CO ROLL PIN FOR INNER TUBE		
8.	151.014.007	CO INNER YOKE		
9.	143.240.001	CO YOKE W/SHEAR BLT B02(55XM8)		
10.	180.014.233	CO GRD COLLER OUTER TUBE		
11.	180.014.240	COMER BOLT		
12.	180.014.232	CO GRD COLLER INNER		
13.	180.016.636	CO SAFETY CHAINS		
14.	142.240.3777421	CO COMPLETE GUARD		
15.	190.000.451	COMER OUTER CIRCLIP		
16.	151.016.486	COMER SLIDING SLEEVE COLLER		
17.	180.016.487	COMER SPRING		
18.	180.016.483	COMER FIXED SLEEVE		
19.	190.000.078	COMER BALL 1/2"		
20.	151.014.012	CO YOKE FOR HUB B02 (55XM8)		
21.	190.000.022	CO BALL DIA 1/4"		
22.	166.026.004	COMER PUSH PIN SET 1 3/8		
23.	141.024.013	CO HUB B02 (55XM8)		
24.	165.000.505	CO BOLT & NUT M8X50 CL.8.8		
25.	190.000.020	COMER GREASE FITTING		
26.	121.024.756.10	CO U-JOINT W/YOKES FOR OUTR TB		
27.	121.024.510.10	CO U-JOINT W/YOKES FOR INNR TB		
28.	142.246.0967421	CO HALF FEMALE GUARD		
29.	142.241.2517421	CO HALF MALE SHIELD		
30.	123.340.364.11	CO HALF FEMALE SHAFT W/GUARD		
31.	123.440.055.11	CO HALF MALE SFT W/GUARDING		
32.	190.000.098	COMER DANGER LABEL OUTER TUBE		
33.	190.000.099	COMER DANGER LABEL GUARD OUTER		
34.	165.000.628	COMER COLLOR KIT 1-3/8 YOKE		

# Decal Placement

Applies to WC1503



35182

***Decal Placement*****Applies to WC1503**

<b>Ref</b>	<b>Part No.</b>	<b>Part Description</b>	<b>Comments</b>	<b>Revision</b>
	Dwg 35182	Drawing Image Number		
1.	818-130C	DECAL WARNING 540 RPM		
2.	818-132C	DECAL DANGER THROWN OBJECT HAZ	Decal location moved to the chute with rev. F of decal	
3.	818-190C	DECAL FLAG		
4.	818-205C	DECAL WARNING MOVING PARTS HAZ		
5.	818-522C	DECAL MOVING PARTS DANGER		
6.	818-543C	DECAL DANGER PD GUARD MISS SML	Located behind guard	
7.	838-093C	DECAL SHARP OBJ HAZARD DISCS		
8.	838-111C	DECAL DANGER MOVING PARTS		
9.	838-293C	DECAL WARNING READ MANUAL		
9.	818-858C	RPBY 838-293C		
10.	838-517C	DECAL QUICK HITCH SYSTEM		
11.	818-891C	RPBY 838-962C	Beige Unit	
11.	838-962C	DECAL LP 13" W/TREE BROWN/GOLD	Green & Orange Unit	
12.	818-890C	RPBY 838-963C	Beige Unit	
12.	838-963C	DECAL LP 10" W/TREE BROWN/GOLD	Green & Orange Unit	
13.	848-088C	DECAL DANGER GUARD MISSING	Located behind guard	
14.	848-840C	DECAL DANGER ROTATING IMPELLER		
15.	848-916C	DECAL WC1503 GOLD		
15.	848-917C	RPBY 848-916C	Obsolete	
16.	848-969C	DECAL DRIVELINE 826-767C		
17.	858-095C	DECAL REFLECTOR RED 2X4.5	S/N 819231+	
18.	858-190C	DECAL, WARNING FLYING OBJECTS	S/N 846945+	
18.	858-107C	RPBY 858-190C	S/N 846944-	

***Touch-up Paints - LP***

---

Applies to WC1503

**No diagram associated with this Parts List**

**Touch-up Paints - LP****Applies to WC1503**

<b>Ref</b>	<b>Part No.</b>	<b>Part Description</b>	<b>Comments</b>	<b>Revision</b>
1.	821-011C	LP BEIGE SPRAY CAN	Spray can	
1.	821-011CTU	LP BEIGE TOUCH-UP 5OZ	Touch-up bottle with brush	
1.	821-011CQT	LP BEIGE QUART	Quart can	
1.	821-011CGL	LP BEIGE GALLON	Gallon can	
2.	821-070C	GLOSS BLACK SPRAY CAN	Spray can	
2.	821-070CTU	GLOSS BLACK TOUCH-UP 5OZ	Touch-up bottle with brush	
2.	821-070CQT	GLOSS BLACK QUART	Quart can	
2.	821-070CGL	GLOSS BLACK GALLON	Gallon can	
3.	821-054C	MED. RED SPRAY TRCK/CTR	Spray can	
3.	821-054CTU	MED RED TOUCH-UP 5OZ	Touch-up bottle with brush	
3.	821-054CQT	MED RED QUART	Quart can	
3.	821-054CGL	MED RED GALLON	Gallon can	
4.	821-058C	GREEN SPRAY CUTTERS	Spray can	
4.	821-058CTU	GREEN TOUCH-UP 5OZ	Touch-up bottle with brush	
4.	821-058CQT	GREEN QUART	Quart can	
4.	821-058CGL	GREEN GALLON	Gallon can	
5.	821-066C	ORANGE SPRAY CAN	Spray can	
5.	821-066CTU	ORANGE TOUCH-UP 5OZ	Touch-up bottle with brush	
5.	821-066CQT	ORANGE QUART	Quart can	
5.	821-066CGL	ORANGE GALLON	Gallon can	
6.	821-067C	BLUE SPRAY CAN	Spray can	
6.	821-067CTU	BLUE TOUCH-UP 5OZ	Touch-up bottle with brush	
6.	821-067CQT	BLUE QUART	Quart can	
6.	821-067CGL	BLUE GALLON	Gallon can	
7.	821-080C	PAINT ALUMINUM/ZINC SPRAY CAN	Spray can	
7.	821-080CTU	PAINT ALUMINUM/ZINC TOUCH UP	Touch-up bottle with brush	
7.	821-080CQT	PAINT ALUMINUM/ZINC QUART	Quart can	
7.	821-080CGL	PAINT ALUMINUM/ZINC GALLON	Gallon can	



# Part Number Index

The Part Number Index is a numeric index of all part numbers included in this manual. The index shows what page(s) the part is used on.

Part Number	Page	Part Number	Page	Part Number	Page
121.024.510.10	19	328-180D	7	818-543C	21
121.024.756.10	19	328-191D	9, 11	818-858C	21
123.340.364.11	19	328-283D	9	818-890C	21
123.440.055.11	19	328-284D	9	818-891C	21
141.024.013	19	328-285D	9	820-472C	17
141.024.430	19	328-286D	9	820-476C	17
142.240.3777421	19	328-287D	9	821-011C	23
142.241.2517421	19	328-288D	9	821-011CGL	23
142.246.0967421	19	328-336D	11	821-011CQT	23
143.240.001	19	800-001C	15, 17	821-011CTU	23
151.014.006	19	800-080C	15	821-054C	23
151.014.007	19	800-130C	15	821-054CGL	23
151.014.012	19	800-211C	15	821-054CQT	23
151.016.486	19	800-372C	15	821-054CTU	23
152.140.2920710	19	801-027C	15, 17	821-058C	23
153.140.200	19	802-002C	9, 11	821-058CGL	23
165.000.505	15, 19	802-004C	7, 9, 13	821-058CQT	23
165.000.628	19	802-005C	7	821-058CTU	23
166.026.004	19	802-017C	7, 15	821-066C	23
168-276D	17	802-051C	15, 17	821-066CGL	23
180.014.130	19	802-079C	15	821-066CQT	23
180.014.232	19	802-092C	11	821-066CTU	23
180.014.233	19	802-149C	7	821-067C	23
180.014.240	19	802-159C	17	821-067CGL	23
180.016.483	19	802-185C	7	821-067CQT	23
180.016.487	19	802-204C	9, 11	821-067CTU	23
180.016.636	19	802-258C	9, 11, 15	821-070C	23
190.000.012	19	802-301C	15	821-070CGL	23
190.000.014	19	802-387C	9, 11	821-070CQT	23
190.000.020	19	802-431C	9	821-070CTU	23
190.000.022	19	802-674C	15	821-080C	23
190.000.078	19	802-750C	7	821-080CGL	23
190.000.098	19	802-961C	17	821-080CQT	23
190.000.099	19	803-007C	7, 15	821-080CTU	23
190.000.451	19	803-013C	7	822-257C	15
308-400D	9, 11	803-027C	9, 11	822-274C	17
314-099D	15	803-037C	11	822-275C	15
326-283S	11, 13	803-068C	15	826-767C	15, 19
328-055H	17	803-149C	9, 11	838-093C	21
328-056S	17	803-169C	9	838-111C	21
328-057H	9, 11	803-177C	11	838-293C	21
328-057H81	9, 11	803-196C	15, 17	838-517C	21
328-057H82	9, 11	803-255C	9, 11, 13	838-962C	21
328-058H	15	803-380C	7	838-963C	21
328-059S	15	804-007C	9, 13	848-088C	21
328-060H	9, 11	804-010C	11	848-840C	21
328-060H81	9, 11	804-011C	15, 17	848-916C	21
328-060H82	9, 11	804-015C	15	848-917C	21
328-061H	7	804-016C	15	848-969C	21
328-061H81	7	804-023C	9, 11	858-095C	21
328-061H82	7	804-026C	11	858-107C	21
328-062H	7	804-037C	9, 11	858-190C	21
328-064H	7	805-111C	9, 11	890-401C	11
328-065H	9	807-272C	15	990-109R	15
328-065H81	9	808-444C	17	Dwg 35179	7
328-065H82	9	808-445C	15	Dwg 35182	21
328-078H	9, 11	808-446C	17	Dwg 35226	19
328-102A	9	808-447C	15	Dwg 35467	11
328-103H	11	815-391C	15	Dwg 39163	13
328-103H81	11	816-504C	9, 13	dwg35116	9
328-103H82	11	816-699C	9, 11	dwg35180	15
328-106A	17	816-737C	15	dwg35181	17
328-144D	17	817-259C	7	N/A	9, 11, 15
328-145D	15	817-950C	15		
328-166D	7	817-986C	7		
328-169D	15	818-130C	21		
328-174D	7	818-132C	21		
328-177D	7	818-190C	21		
328-178D	7	818-205C	21		
328-179D	7	818-522C	21		



***This Page Intentionally Left Blank***



Great Plains Manufacturing, Inc.

Corporate Office: P.O. Box 5060  
Salina, Kansas 67402-5060 USA

[www.landpride.com](http://www.landpride.com)

---