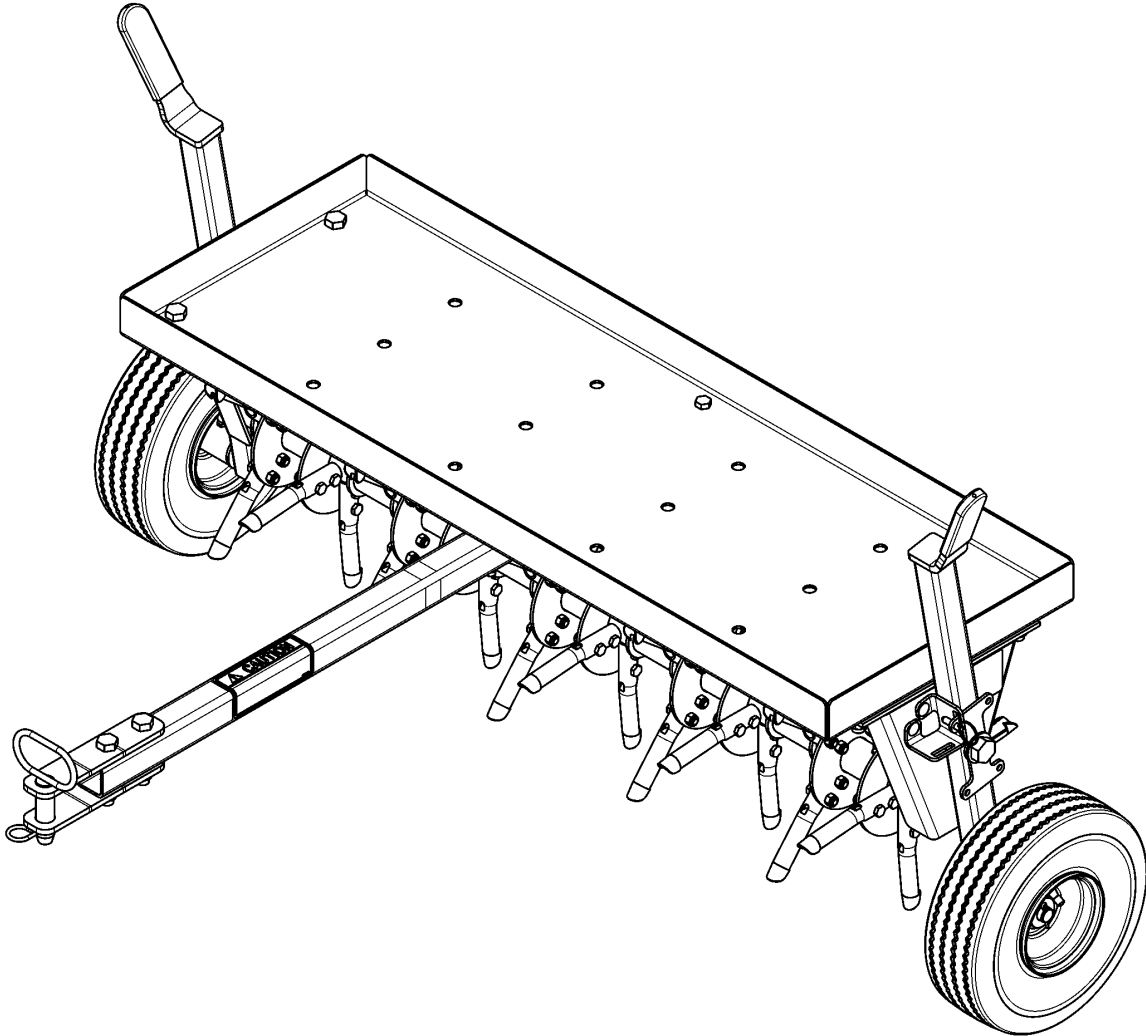


Core Aerators

CA0540, CA0548 & CA0556



27940

325-108P **Parts Manual**



Read the Operator's Manual entirely. When you see this symbol, the subsequent instructions and warnings are serious - follow without exception. Your life and the lives of others depend on it!

© Copyright 2018 Printed 07/10/18

Cover photo may show optional equipment not supplied with standard unit.





Table of Contents

Section 1: Introduction.....4
Using This Manual.....4
Manual Replacement Information.....4
Manual Revisions.....4
Touch-up Paint.....4
Hardware Legend.....5
Replacement Hardware.....5
Serial Numbers.....5
Part Number Service Coding.....5

CA05 SERIES

Section 2: Frame & Hitch.....6
Frame & Hitch Components CA0540.....6
Frame & Hitch Components CA0548 & 0556.....8
Section 3: Rotors.....10
Rotor Assembly CA05.....10
Section 4: Decals.....12
Decal Placement.....12
Land Pride Touch-up Paints.....14
Section 5: Options.....16
Transport Axle Side Mount.....16

Part Number Index.....18

© Copyright 2018. All rights reserved.

Land Pride provides this publication “as is” without warranty of any kind, either expressed or implied. While every precaution has been taken in the preparation of this manual, Land Pride assumes no responsibility for errors or omissions. Neither is any liability assumed for damages resulting from the use of the information contained herein. Land Pride reserves the right to revise and improve its products as it sees fit. This publication describes the state of this product at the time of its publication, and may not reflect the product in the future. The illustrations in this manual are not intended for safe and proper assembly or disassembly of equipment. The illustrations are intended for ordering parts only.

Land Pride is registered trademark.

All other brands and product names are trademarks or registered trademarks of their respective holders.

Printed in the United States of America.



Alphabetized Table of Contents

CA05 SERIES

| | |
|---|----|
| D | |
| Decal Placement..... | 12 |
| F | |
| Frame & Hitch Components CA0540..... | 6 |
| Frame & Hitch Components CA0548 & 0556..... | 8 |
| L | |
| Land Pride Touch-up Paints..... | 14 |
| R | |
| Rotor Assembly CA05..... | 10 |
| T | |
| Transport Axle Side Mount..... | 16 |

General Information

Using This Manual

This manual is divided into sections. The first section contains General Information. The remaining sections divide the machine into segments (i.e. Frames, Drives, Hydraulics, etc.) which illustrate and list all parts. A Parts Number Index is located at the back of the book.

The Land Pride parts in this manual are specially designed for this machine and should be replaced with Land Pride parts only.

The information in this manual is current at time of printing. Some parts may change to assure top performance.

Right-hand and left-hand as used in this manual are determined by facing the direction the machine will travel while in use.

Below is an example of two facing pages from a parts manual. Familiarize yourself with the type of information contained on these pages.

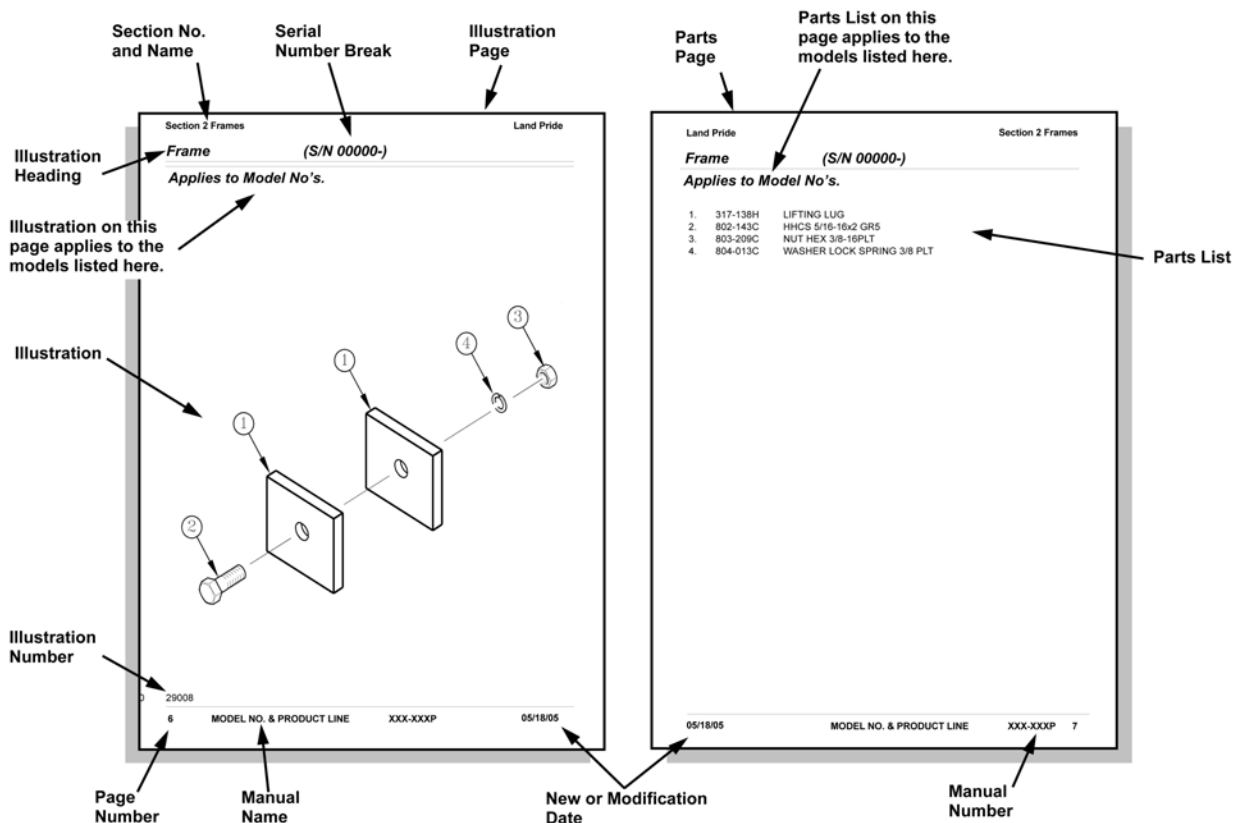
Manual Replacement Information

Replacement manuals are available. Refer to our website at www.landpride.com or e-mail us at lit@landpride.com for additional information. Our website continues to provide the most up-to-date manuals available.

Touch-up Paint

Repaint parts where paint is worn or scratched to prevent rust. Aerosol cans and touch-up bottles with brush applicator are available through your local dealer. Also available are quart and gallon size paints. Add QT or GL to end of the Aerosol P/N.

Land Pride color descriptions and part numbers are listed on the "Land Pride Touch-up Paints" page in the "Decals" section of this book. Color options vary by product.



General Information

Hardware Legend

| | |
|-----------------|--|
| AR | As Required |
| BLADE | Blade Bolt |
| C | Cap Screw |
| CP | Cotter Pin |
| CPHSSS | Cup Point Hex Socket Set Screw |
| CPSHSS | Cup Point Square Head Set Screw |
| CPSQHSS | Cup Point Square Head Set Screw |
| CRFCHMS3 | Cross Recess Flat Countersunk Head Machine Screw |
| CRPHMS | Cross Recess Pan Head Machine Screw |
| CRPHTF | Cross Recess Pan Head Thread Forming |
| CRRHMS | Cross Recess Round Head Machine Screw |
| CRTHMS | Cross Recess Truss Head Machine Screw |
| CSNB | Countersunk Square Neck Bolt |
| FHMS | Flat Head Machine Screw |
| FTC | Full Thread Cap Screw |
| H | Hex Nut |
| HCLN | Hex Center Lock Nut |
| HFLCS | Hex Flange Lock Cap Screw |
| HFS | Hex Flange Screw |
| HFSLN | Hex Flange Serrated Lock Nut |
| HFSS | Hex Flange Serrated Screw |
| HHCS | Hex Head Cap Screw or Metric Bolt |
| HSBHCS | Hex Socket Button Head Cap Screw |
| HSFCHCS | Hex Socket Flat Countersunk Head Cap Screw |
| HSHCS | Hex Socket Head Cap Screw |
| HSSS | Hex Socket Head Screw |
| HTLN | Hex Top Lock Nut |
| HWHCS | Hex Washer Head Cap Screw |

| | |
|-----------------------|---|
| HWHMS | Hex Washer Head Machine Screw |
| HXBHCS | Hex Socket Button Head Cap Screw |
| J | Hex Jam Nut |
| JIC | 37 Degree Tapered Thread |
| L | Helical Spring Lock Washer |
| LUG | Lug Bolt |
| NFC | National Fine Cap Screw |
| NPSM | National Pipe Straight Mechanical |
| NPTF | National Pipe Taper Fuel |
| P | Wide Plain Washer |
| PHMS | Pan Head Machine Screw |
| PLOW | Plow Bolt |
| RHMS | Round Head Machine Screw |
| RHSNB | Round Head Square Neck Bolt |
| SCREW LEVELING | Leveling Screw |
| SCREW THUMB | Thumb Screw |
| SCREW WELD | Weld Screw |
| SFCHMS | Slotted Flat Countersunk Head Machine Screw |
| SFHMS | Slotted Fillister Head Machine Screw |
| SP | Special |
| SP SCREW | Special Screw |
| SOHSS | Square Head Set Screw |
| SRHMS | Slotted Round Head Machine Screw |
| SSS | Socket Set Screw |
| STCS | Self Tapping Cap Screw |
| STHMS | Slotted Truss Head Machine Screw |
| WHEEL | Wheel Studs and Hub Long Bolts |
| WING | Wing Bolt |

Replacement Hardware

The **Hardware Legend** above lists hardware abbreviations used in the parts list. All bolts and nuts are Grade 5 unless otherwise noted. The use of improper grades of hardware can result in personal injury, damage to equipment, or loss of property.

Colored Replacement Parts

Land Pride offers replacement parts in factory standard colors and also on select models in Green, Orange, Red and Blue. Because of the variety of colors available, special attention must be given to the part number to prevent ordering the wrong replacement part.

A suffix number corresponding to one of the colors below must be added at the end of Land Pride's part number when ordering a replacement part with that color.

81 Green 83 Red
82 Orange 84 Blue

For example, if you are ordering a replacement part with part number 555-555C and the part you need is red, then add the suffix 83 to the end of the number to make the part number read 555-555C83. Parts ordered without a suffix number will be supplied in factory standard colors.

Black Replacement Parts

Some parts are factory standard black and some must be special ordered black. If your part is special ordered black, a second part number with the additional suffix number 85 on the end will be available. In this situation you must order that part with the suffix number for it to be black. Parts that are factory standard black will not have the suffix number.

Part Number Service Coding

Within the parts list some part numbers are coded for revisions and interchangeability. See notations in revision column.

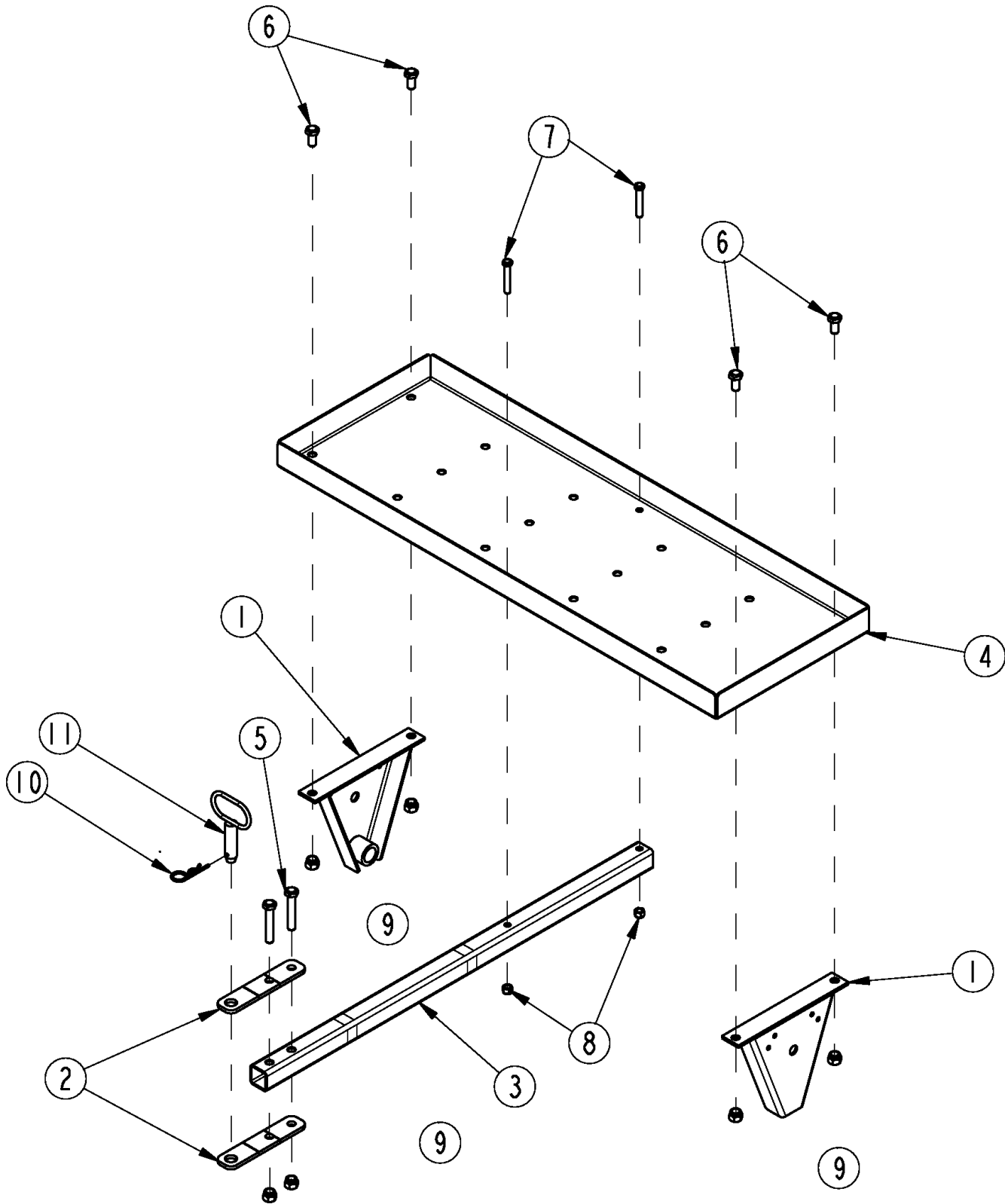
Serial Numbers

Always use the serial and model number when ordering parts. Refer to the Operator's Manual for serial number plate location.

- (S/N 20001+) Includes serial numbers 20001 and above (to the latest number)
- (S/N 10001 to 20000) Includes serial numbers between and including 10001 and 20000
- (S/N 10000-) Includes serial numbers 10000 and below (to the earliest number)

Frame & Hitch Components CA0540

Applies to CA0540



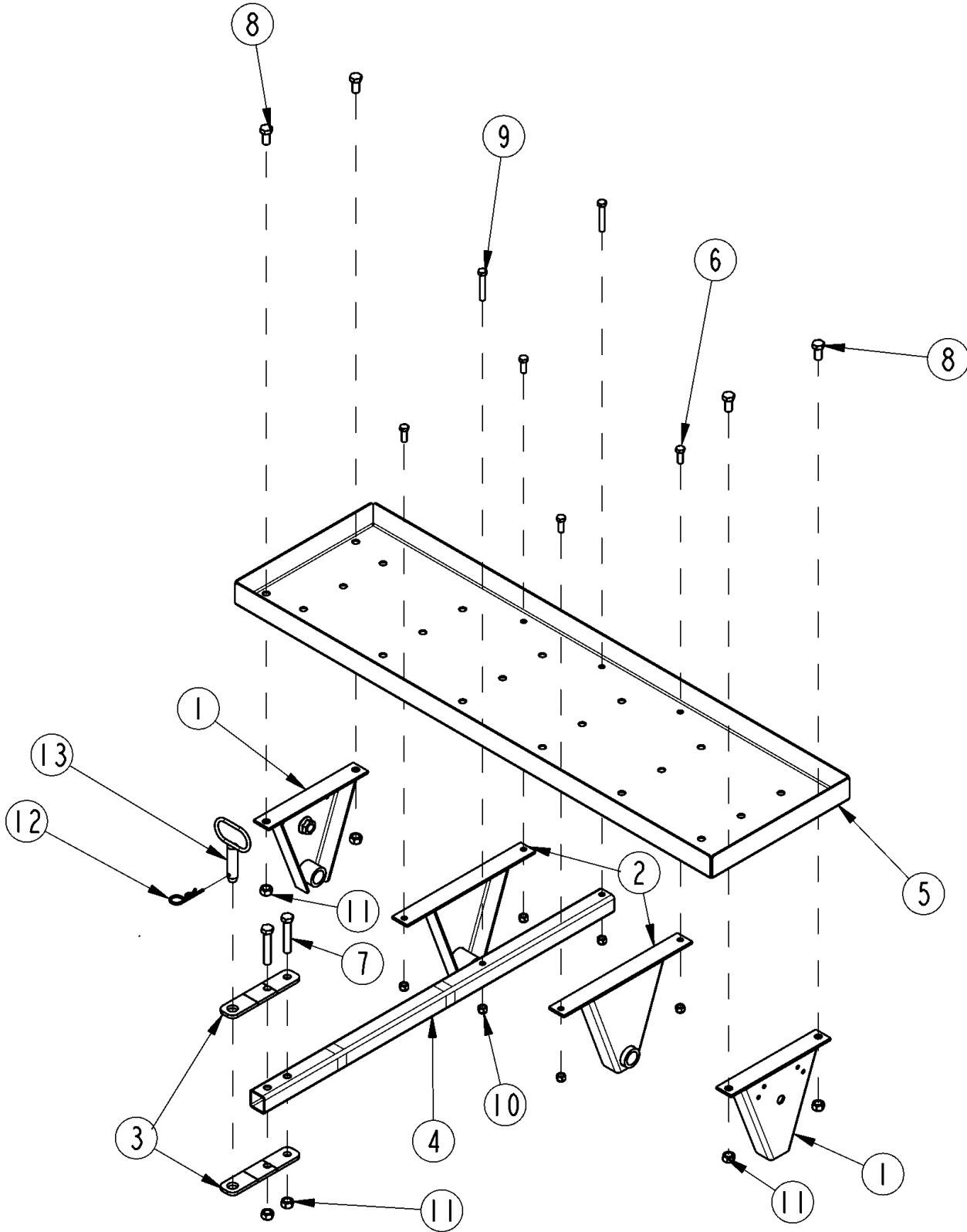
27933

Frame & Hitch Components CA0540**Applies to CA0540**

| Ref | Part No. | Part Description | Comments | Revision |
|------------|-----------------|--------------------------------|---------------------|-----------------|
| | Dwg 27933 | Drawing Image Number | | |
| 1. | 325-097H | WMT, END PANEL | | |
| 1. | 325-097H | WMT, END PANEL | | |
| 1. | 325-097H82 | WMT, END PANEL ORANGE | Orange | |
| 2. | 325-162D | STRAP, HITCH TONGUE | | |
| 2. | 325-162D82 | STRAP, HITCH TONGUE ORANGE | Orange | |
| 3. | 325-166D | TUBE, PULL HITCH | | |
| 3. | 325-166D82 | TUBE, PULL HITCH ORANGE | Orange | |
| 4. | 325-238D | RPBY 325-246D | S/N 1065520- | |
| 4. | 325-246D | 16.5" WEIGHT TRAY, CA0540 | S/N 1065521+ | |
| 4. | 325-238D82 | RPBY 325-246D82 | S/N 1065520- Orange | |
| 4. | 325-246D82 | 16.5" WEIGHT TRAY, CA0540 ORNG | S/N 1065521+ Orange | |
| 5. | 802-226C | HHCS 1/2-13X2 3/4 GR5 | | |
| 6. | 802-258C | HHCS 1/2-13X1 GR5 | | |
| 7. | 802-382C | HHCS 3/8-16X2 1/4 GR5 | | |
| 8. | 803-078C | NUT LOCK 3/8-16 NYLON INSERT | | |
| 9. | 803-147C | NUT HEX NYLOCK 1/2-13 | | |
| 10. | 805-032C | PIN HAIR COTTER .148 WIRE | | |
| 11. | 805-202C | PIN 3/4OD X 2 7/32 USBL W/HNDL | | |

Frame & Hitch Components CA0548 & 0556

Applies to CA0548, CA0556



27936

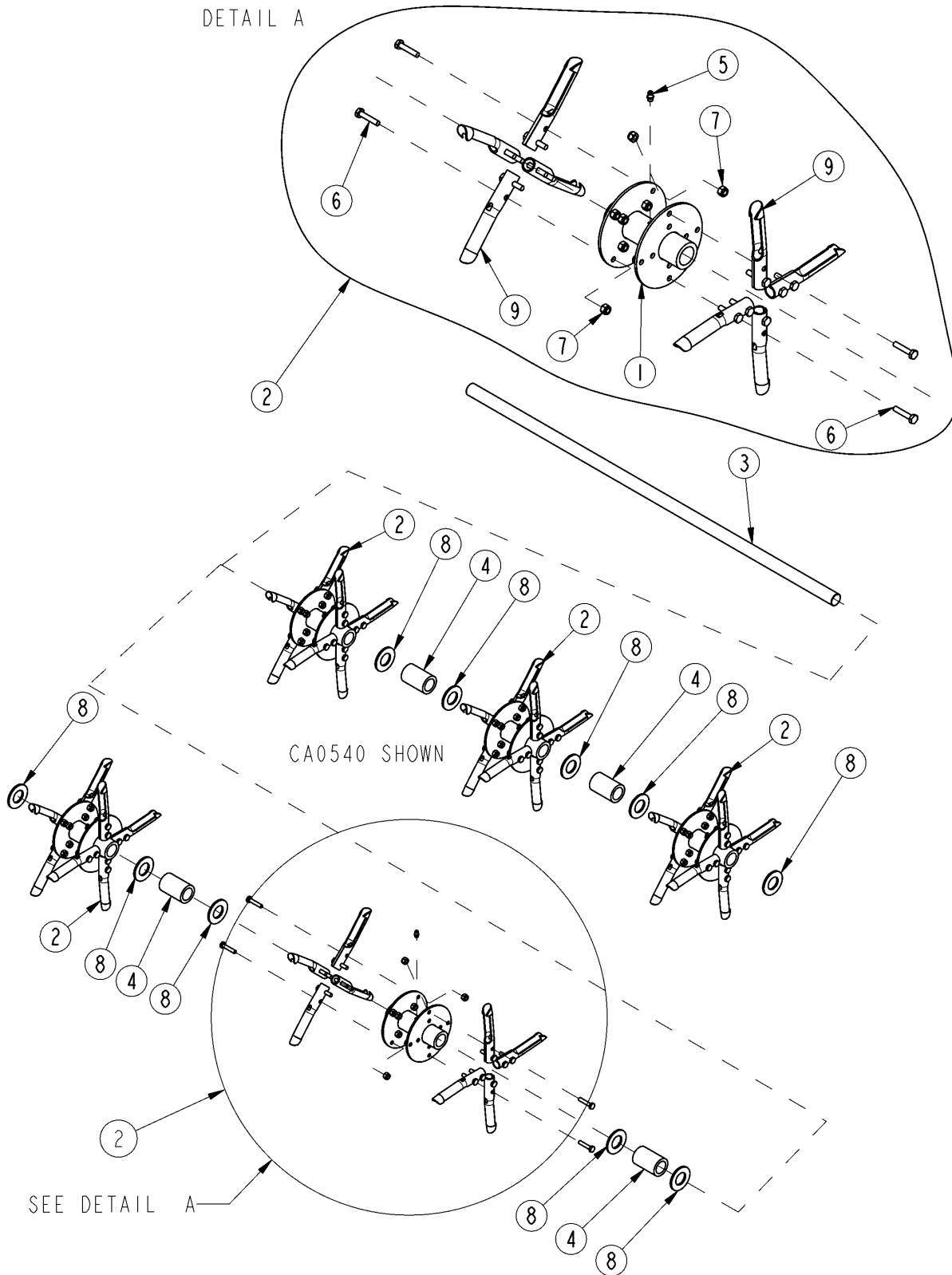
Frame & Hitch Components CA0548 & 0556**Applies to CA0548, CA0556**

| Ref | Part No. | Part Description | Comments | Revision |
|-----|------------|--------------------------------|------------------------------|----------|
| | Dwg 27936 | Drawing Image Number | | |
| 1. | 325-097H | WMT, END PANEL | | |
| 1. | 325-097H82 | WMT, END PANEL ORANGE | Orange | |
| 2. | 325-107H | WMT, CENTER SUPPORT | | |
| 2. | 325-107H82 | WMT, CENTER SUPPORT ORANGE | Orange | |
| 3. | 325-162D | STRAP, HITCH TONGUE | | |
| 3. | 325-162D82 | STRAP, HITCH TONGUE ORANGE | Orange | |
| 4. | 325-166D | TUBE, PULL HITCH | | |
| 4. | 325-166D82 | TUBE, PULL HITCH ORANGE | Orange | |
| 5. | 325-239D | RPBY 325-247D | S/N 1058482- (CA0548) | |
| 5. | 325-247D | 16.5" WEIGHT TRAY, CA0548 | S/N 1058483+ (CA0548) | |
| 5. | 325-239D82 | RPBY 325-247D82 | S/N 1058482- (CA0548) Orange | |
| 5. | 325-247D82 | 16.5" WEIGHT TRAY, CA0548 ORNG | S/N 1058483+ (CA0548) Orange | |
| 5. | 325-240D | RPBY 325-248D | S/N 1059544- (CA0556) | |
| 5. | 325-248D | 16.5" WEIGHT TRAY, CA0556 | S/N 1059545+ (CA0556) | |
| 5. | 325-240d82 | RPBY 325-248D82 | S/N 1059544- (CA0556) Orange | |
| 5. | 325-248D82 | 16.5" WEIGHT TRAY, CA0556 ORNG | S/N 1059545+ (CA0556) Orange | |
| 6. | 802-017C | HHCS 3/8-16X1 GR5 | | |
| 7. | 802-226C | HHCS 1/2-13X2 3/4 GR5 | | |
| 8. | 802-258C | HHCS 1/2-13X1 GR5 | | |
| 9. | 802-382C | HHCS 3/8-16X2 1/4 GR5 | | |
| 10. | 803-078C | NUT LOCK 3/8-16 NYLON INSERT | | |
| 11. | 803-147C | NUT HEX NYLOCK 1/2-13 | | |
| 12. | 805-032C | PIN HAIR COTTER .148 WIRE | | |
| 13. | 805-202C | PIN 3/4OD X 2 7/32 USBL W/HNDL | | |

Rotor Assembly CA05

Applies to CA0540, CA0548, CA0556

DETAIL A



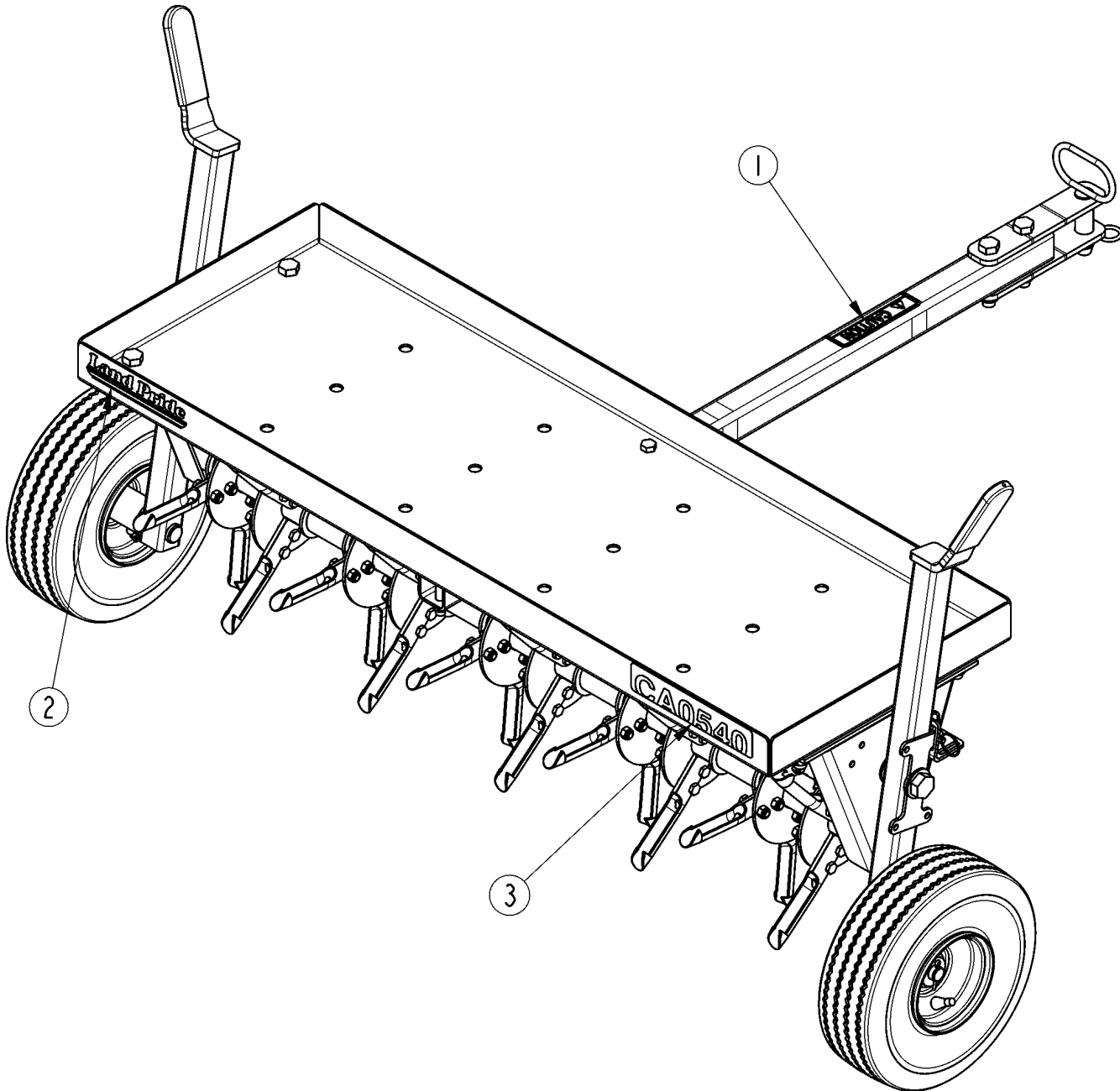
27937

Rotor Assembly CA05**Applies to CA0540, CA0548, CA0556**

| Ref | Part No. | Part Description | Comments | Revision |
|------------|-----------------|--------------------------------|---|-----------------|
| | dwg27937 | Drawing Image Number | | |
| 1. | 325-098H | WMT, ROTOR | | |
| 2. | 325-099S | ASY, ROTOR | | |
| 3. | 325-160D | SHAFT, 40 AERATOR ROTOR | | |
| 3. | 325-174D | SHAFT, 48 AERATOR ROTOR | | |
| 3. | 325-175D | SHAFT, 56 AERATOR ROTOR | | |
| 4. | 325-161D | PIPE SCH 80 1X2 5/16L BLACK | | |
| 5. | 800-080C | GREASE ZERK 1/4-28 THD FORMING | | |
| 6. | 802-167C | HHCS 1/4-20X1 1/2 GR5 | | |
| 7. | 803-255C | NUT HEX NYLOCK 1/4-20 | | |
| 8. | 804-029C | WASHER FLAT 1 SAE | | |
| 9. | 820-420C | 1/2" HARDENED AERATOR SPOON | CA0540 40 Total, CA0548 48 Total & CA0556 56 Total | |

Decal Placement

Applies to CA0540, CA0548, CA0556



27938

Decal Placement**Applies to CA0540, CA0548, CA0556**

| Ref | Part No. | Part Description | Comments | Revision |
|------------|-----------------|-------------------------------|-----------------|-----------------|
| | Dwg 27938 | Drawing Image Number | | |
| 1. | 818-719C | DECAL CAUTION GENERAL INSTR | | |
| 2. | 838-936C | RPBY 838-967C | Beige Unit | |
| 2. | 838-967C | DECAL LANDPRIDE 6" BROWN/GOLD | Orange Unit | |
| 3. | 848-425C | DECAL CA0540-GOLD | | |
| 3. | 848-426C | DECAL CA0548-GOLD | | |
| 3. | 848-427C | DECAL CA0556-GOLD | | |
| 3. | 848-429C | RPBY 848-425C | Obsolete | |
| 3. | 848-430C | RPBY 848-426C | Obsolete | |
| 3. | 848-431C | RPBY 848-427C | Obsolete | |

Land Pride Touch-up Paints

Applies to CA0540, CA0548, CA0556

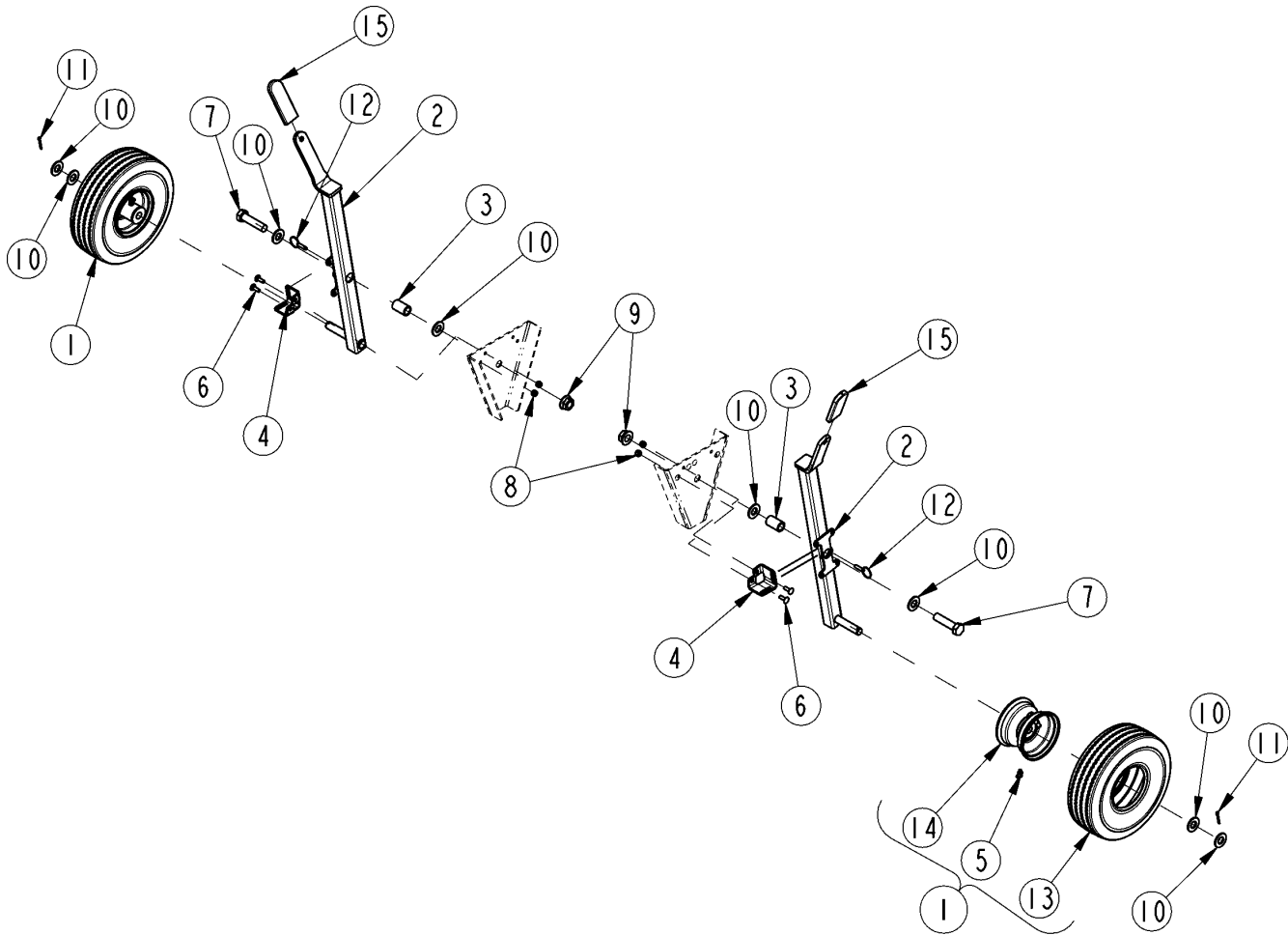
No diagram associated with this Parts List

Land Pride Touch-up Paints**Applies to CA0540, CA0548, CA0556**

| Ref | Part No. | Part Description | Comments | Revision |
|------------|-----------------|-------------------------------|----------------------------|-----------------|
| 1. | 821-011C | LP BEIGE SPRAY CAN | Spray can | |
| 1. | 821-070C | GLOSS BLACK SPRAY CAN | Spray can | |
| 1. | 821-054C | MED. RED SPRAY TRCK/CTR | Spray can | |
| 1. | 821-058C | GREEN SPRAY CUTTERS | Spray can | |
| 1. | 821-066C | ORANGE SPRAY CAN | Spray can | |
| 1. | 821-067C | BLUE SPRAY CAN | Spray can | |
| 1. | 821-080C | PAINT ALUMINUM/ZINC SPRAY CAN | Spray can | |
| 2. | 821-011CTU | LP BEIGE TOUCH-UP 5OZ | Touch-up bottle with brush | |
| 2. | 821-070CTU | GLOSS BLACK TOUCH-UP 5OZ | Touch-up bottle with brush | |
| 2. | 821-054CTU | MED RED TOUCH-UP 5OZ | Touch-up bottle with brush | |
| 2. | 821-058CTU | GREEN TOUCH-UP 5OZ | Touch-up bottle with brush | |
| 2. | 821-066CTU | ORANGE TOUCH-UP 5OZ | Touch-up bottle with brush | |
| 2. | 821-067CTU | BLUE TOUCH-UP 5OZ | Touch-up bottle with brush | |
| 2. | 821-080CTU | PAINT ALUMINUM/ZINC TOUCH UP | Touch-up bottle with brush | |
| 3. | 821-011CQT | LP BEIGE QUART | Quart can | |
| 3. | 821-070CQT | GLOSS BLACK QUART | Quart can | |
| 3. | 821-054CQT | MED RED QUART | Quart can | |
| 3. | 821-058CQT | GREEN QUART | Quart can | |
| 3. | 821-066CQT | ORANGE QUART | Quart can | |
| 3. | 821-067CQT | BLUE QUART | Quart can | |
| 3. | 821-080CQT | PAINT ALUMINUM/ZINC QUART | Quart can | |
| 4. | 821-011CGL | LP BEIGE GALLON | Gallon can | |
| 4. | 821-070CGL | GLOSS BLACK GALLON | Gallon can | |
| 4. | 821-054CGL | MED RED GALLON | Gallon can | |
| 4. | 821-058CGL | GREEN GALLON | Gallon can | |
| 4. | 821-066CGL | ORANGE GALLON | Gallon can | |
| 4. | 821-067CGL | BLUE GALLON | Gallon can | |
| 4. | 821-080CGL | PAINT ALUMINUM/ZINC GALLON | Gallon can | |

Transport Axle Side Mount

Applies to CA0540, CA0548, CA0556



27972

Transport Axle Side Mount**Applies to CA0540, CA0548, CA0556**

| Ref | Part No. | Part Description | Comments | Revision |
|------------|-----------------|--------------------------------|-----------------|-----------------|
| | dwg27972 | Drawing Image Number | | |
| | 325-143A | ASY, CA05 TRNSPRT WHEEL * | | |
| 1. | 325-103S | TIRE/RIM ASY10X3 1/4-4SAWTOOTH | | |
| 2. | 325-142H | ARM WMT, TRNSPRT WHEEL | | |
| 3. | 325-234D | BSHG, TRNSPRT WHEEL PIVOT | | |
| 4. | 325-235D | LOCK BRKT, TRNSPRT WHEEL | | |
| 5. | 800-136C | ZERK 1/4-28 X 45 DEG SELF-TAP | | |
| 6. | 802-002C | RHSNB 1/4-20X3/4 GR5 | | |
| 7. | 802-058C | HHCS 5/8-11X2 1/2 GR5 | | |
| 8. | 803-255C | NUT HEX NYLOCK 1/4-20 | | |
| 9. | 803-263C | NUT HEX FLANGE LOCK 5/8-11 PLT | | |
| 10. | 804-021C | WASHER FLAT 5/8 SAE PLT | | |
| 11. | 805-363C | PIN COTTER 1/8 X 1 | | |
| 12. | 805-405C | PIN 1/4 X 1/2 COTTERLESS HITCH | | |
| 13. | 814-375C | TIRE, 10X3 1/4-4 2PLY SAWTOOTH | | |
| 14. | 814-376C | RIM, 4X2 1/2 W/GRAFOIL BSHG | | |
| 15. | 817-246C | GRIP HANDLE .84 ID X 4 LG | | |



Part Number Index

The Part Number Index is a numeric index of all part numbers included in this manual. The index shows what page(s) the part is used on.

| Part Number | Page | Part Number | Page |
|--------------------|-------------|--------------------|-------------|
| 325-097H | 7, 9 | 821-066CTU | 15 |
| 325-097H82 | 7, 9 | 821-067C | 15 |
| 325-098H | 11 | 821-067CGL | 15 |
| 325-099S | 11 | 821-067CQT | 15 |
| 325-103S | 17 | 821-067CTU | 15 |
| 325-107H | 9 | 821-070C | 15 |
| 325-107H82 | 9 | 821-070CGL | 15 |
| 325-142H | 17 | 821-070CQT | 15 |
| 325-143A | 17 | 821-070CTU | 15 |
| 325-160D | 11 | 821-080C | 15 |
| 325-161D | 11 | 821-080CGL | 15 |
| 325-162D | 7, 9 | 821-080CQT | 15 |
| 325-162D82 | 7, 9 | 821-080CTU | 15 |
| 325-166D | 7, 9 | 838-936C | 13 |
| 325-166D82 | 7, 9 | 838-967C | 13 |
| 325-174D | 11 | 848-425C | 13 |
| 325-175D | 11 | 848-426C | 13 |
| 325-234D | 17 | 848-427C | 13 |
| 325-235D | 17 | 848-429C | 13 |
| 325-238D | 7 | 848-430C | 13 |
| 325-238D82 | 7 | 848-431C | 13 |
| 325-239D | 9 | Dwg 27933 | 7 |
| 325-239D82 | 9 | Dwg 27936 | 9 |
| 325-240D | 9 | Dwg 27938 | 13 |
| 325-240d82 | 9 | dwg27937 | 11 |
| 325-246D | 7 | dwg27972 | 17 |
| 325-246D82 | 7 | | |
| 325-247D | 9 | | |
| 325-247D82 | 9 | | |
| 325-248D | 9 | | |
| 325-248D82 | 9 | | |
| 800-080C | 11 | | |
| 800-136C | 17 | | |
| 802-002C | 17 | | |
| 802-017C | 9 | | |
| 802-058C | 17 | | |
| 802-167C | 11 | | |
| 802-226C | 7, 9 | | |
| 802-258C | 7, 9 | | |
| 802-382C | 7, 9 | | |
| 803-078C | 7, 9 | | |
| 803-147C | 7, 9 | | |
| 803-255C | 11, 17 | | |
| 803-263C | 17 | | |
| 804-021C | 17 | | |
| 804-029C | 11 | | |
| 805-032C | 7, 9 | | |
| 805-202C | 7, 9 | | |
| 805-363C | 17 | | |
| 805-405C | 17 | | |
| 814-375C | 17 | | |
| 814-376C | 17 | | |
| 817-246C | 17 | | |
| 818-719C | 13 | | |
| 820-420C | 11 | | |
| 821-011C | 15 | | |
| 821-011CGL | 15 | | |
| 821-011CQT | 15 | | |
| 821-011CTU | 15 | | |
| 821-054C | 15 | | |
| 821-054CGL | 15 | | |
| 821-054CQT | 15 | | |
| 821-054CTU | 15 | | |
| 821-058C | 15 | | |
| 821-058CGL | 15 | | |
| 821-058CQT | 15 | | |
| 821-058CTU | 15 | | |
| 821-066C | 15 | | |
| 821-066CGL | 15 | | |
| 821-066CQT | 15 | | |

This Page Intentionally Left Blank



Great Plains Manufacturing, Inc.

Corporate Office: P.O. Box 5060
Salina, Kansas 67402-5060 USA

www.landpride.com
