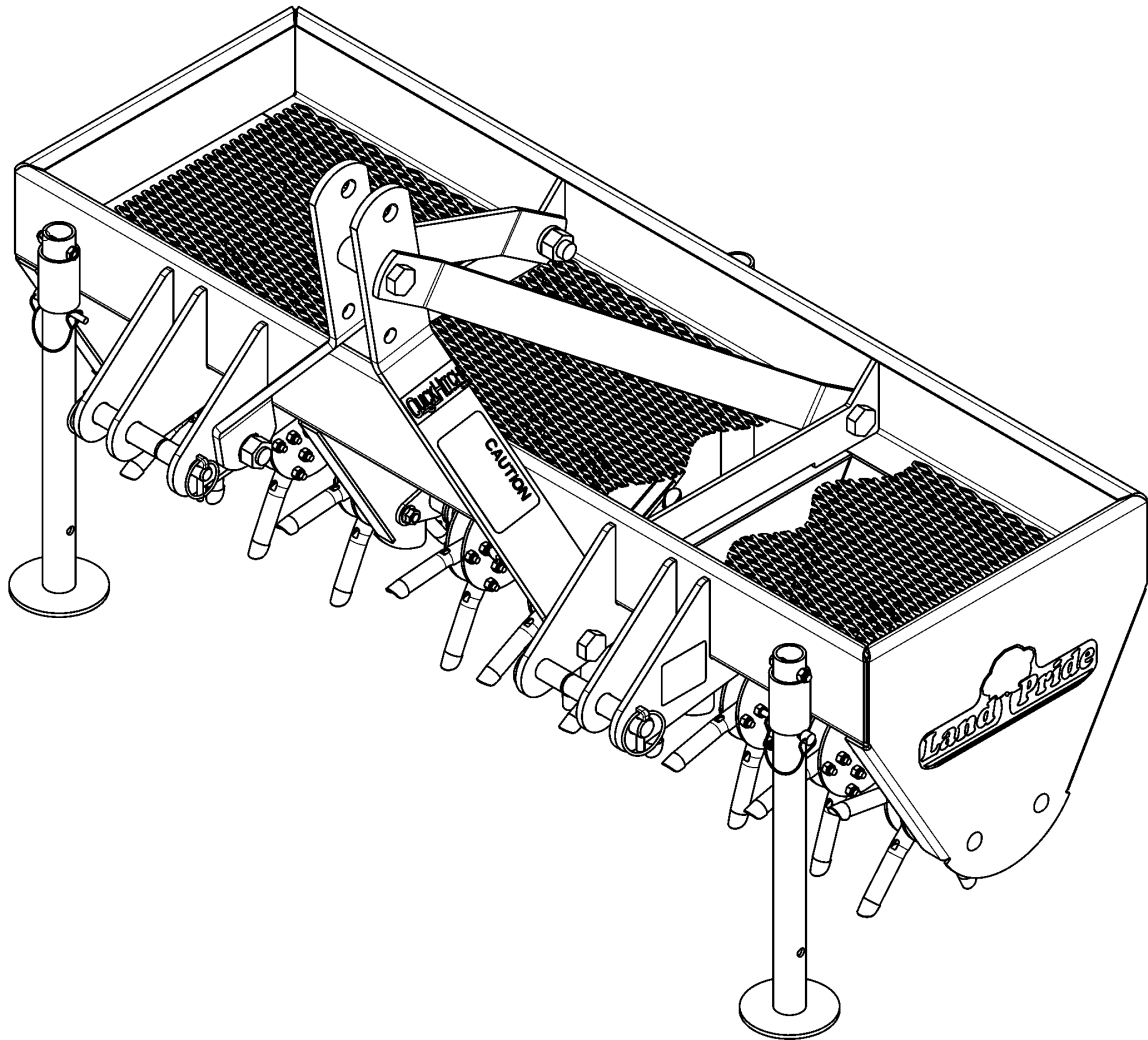


Core Aerators

CA1548, CA1556, CA1564 & CA1572



27932

325-091P
Parts Manual



Read the Operator's Manual entirely. When you see this symbol, the subsequent instructions and warnings are serious - follow without exception. Your life and the lives of others depend on it!

© Copyright 2018 Printed 07/10/18

Cover photo may show optional equipment not supplied with standard unit.





Table of Contents

Section 1: Introduction.....4
Using This Manual.....4
Manual Replacement Information.....4
Manual Revisions.....4
Touch-up Paint.....4
Hardware Legend.....5
Replacement Hardware.....5
Serial Numbers.....5
Part Number Service Coding.....5

CA15 SERIES

Section 2: Frame.....6
Frame & Hitch Components.....6
Section 3: Rotors.....8
Rotor Assembly 48 & 56.....8
Rotor Assembly 64.....10
Rotor Assembly 72.....12
Section 4: Decals.....14
Decal Placement.....14
Land Pride Touch-up Paints.....16

Part Number Index.....18

© Copyright 2018. All rights reserved.

Land Pride provides this publication “as is” without warranty of any kind, either expressed or implied. While every precaution has been taken in the preparation of this manual, Land Pride assumes no responsibility for errors or omissions. Neither is any liability assumed for damages resulting from the use of the information contained herein. Land Pride reserves the right to revise and improve its products as it sees fit. This publication describes the state of this product at the time of its publication, and may not reflect the product in the future. The illustrations in this manual are not intended for safe and proper assembly or disassembly of equipment. The illustrations are intended for ordering parts only.

Land Pride is registered trademark.

All other brands and product names are trademarks or registered trademarks of their respective holders.

Printed in the United States of America.



Alphabetized Table of Contents

CA15 SERIES

D	
Decal Placement.....	14
F	
Frame & Hitch Components.....	6
L	
Land Pride Touch-up Paints.....	16
R	
Rotor Assembly 48 & 56.....	8
Rotor Assembly 64.....	10
Rotor Assembly 72.....	12

General Information

Using This Manual

This manual is divided into sections. The first section contains General Information. The remaining sections divide the machine into segments (i.e. Frames, Drives, Hydraulics, etc.) which illustrate and list all parts. A Parts Number Index is located at the back of the book.

The Land Pride parts in this manual are specially designed for this machine and should be replaced with Land Pride parts only.

The information in this manual is current at time of printing. Some parts may change to assure top performance.

Right-hand and left-hand as used in this manual are determined by facing the direction the machine will travel while in use.

Below is an example of two facing pages from a parts manual. Familiarize yourself with the type of information contained on these pages.

Manual Replacement Information

Replacement manuals are available. Refer to our website at www.landpride.com or e-mail us at lit@landpride.com for additional information. Our website continues to provide the most up-to-date manuals available.

Touch-up Paint

Repaint parts where paint is worn or scratched to prevent rust. Aerosol cans and touch-up bottles with brush applicator are available through your local dealer. Also available are quart and gallon size paints. Add QT or GL to end of the Aerosol P/N.

Land Pride color descriptions and part numbers are listed on the "Land Pride Touch-up Paints" page in the "Decals" section of this book. Color options vary by product.



General Information

Hardware Legend

AR	As Required
BLADE	Blade Bolt
C	Cap Screw
CP	Cotter Pin
CPHSSS	Cup Point Hex Socket Set Screw
CPSHSS	Cup Point Square Head Set Screw
CPSQHSS	Cup Point Square Head Set Screw
CRFCHMS3	Cross Recess Flat Countersunk Head Machine Screw
CRPHMS	Cross Recess Pan Head Machine Screw
CRPHTF	Cross Recess Pan Head Thread Forming
CRRHMS	Cross Recess Round Head Machine Screw
CRTHMS	Cross Recess Truss Head Machine Screw
CSNB	Countersunk Square Neck Bolt
FHMS	Flat Head Machine Screw
FTC	Full Thread Cap Screw
H	Hex Nut
HCLN	Hex Center Lock Nut
HFLCS	Hex Flange Lock Cap Screw
HFS	Hex Flange Screw
HFSLN	Hex Flange Serrated Lock Nut
HFSS	Hex Flange Serrated Screw
HHCS	Hex Head Cap Screw or Metric Bolt
HSBHCS	Hex Socket Button Head Cap Screw
HSFCHCS	Hex Socket Flat Countersunk Head Cap Screw
HSHCS	Hex Socket Head Cap Screw
HSSS	Hex Socket Head Screw
HTLN	Hex Top Lock Nut
HWHCS	Hex Washer Head Cap Screw

HWHMS	Hex Washer Head Machine Screw
HXBHCS	Hex Socket Button Head Cap Screw
J	Hex Jam Nut
JIC	37 Degree Tapered Thread
L	Helical Spring Lock Washer
LUG	Lug Bolt
NFC	National Fine Cap Screw
NPSM	National Pipe Straight Mechanical
NPTF	National Pipe Taper Fuel
P	Wide Plain Washer
PHMS	Pan Head Machine Screw
PLOW	Plow Bolt
RHMS	Round Head Machine Screw
RHSNB	Round Head Square Neck Bolt
SCREW LEVELING	Leveling Screw
SCREW THUMB	Thumb Screw
SCREW WELD	Weld Screw
SFCHMS	Slotted Flat Countersunk Head Machine Screw
SFHMS	Slotted Fillister Head Machine Screw
SP	Special
SP SCREW	Special Screw
SOHSS	Square Head Set Screw
SRHMS	Slotted Round Head Machine Screw
SSS	Socket Set Screw
STCS	Self Tapping Cap Screw
STHMS	Slotted Truss Head Machine Screw
WHEEL	Wheel Studs and Hub Long Bolts
WING	Wing Bolt

Replacement Hardware

The **Hardware Legend** above lists hardware abbreviations used in the parts list. All bolts and nuts are Grade 5 unless otherwise noted. The use of improper grades of hardware can result in personal injury, damage to equipment, or loss of property.

Colored Replacement Parts

Land Pride offers replacement parts in factory standard colors and also on select models in Green, Orange, Red and Blue. Because of the variety of colors available, special attention must be given to the part number to prevent ordering the wrong replacement part.

A suffix number corresponding to one of the colors below must be added at the end of Land Pride's part number when ordering a replacement part with that color.

81 Green 83 Red
82 Orange 84 Blue

For example, if you are ordering a replacement part with part number 555-555C and the part you need is red, then add the suffix 83 to the end of the number to make the part number read 555-555C83. Parts ordered without a suffix number will be supplied in factory standard colors.

Black Replacement Parts

Some parts are factory standard black and some must be special ordered black. If your part is special ordered black, a second part number with the additional suffix number 85 on the end will be available. In this situation you must order that part with the suffix number for it to be black. Parts that are factory standard black will not have the suffix number.

Part Number Service Coding

Within the parts list some part numbers are coded for revisions and interchangeability. See notations in revision column.

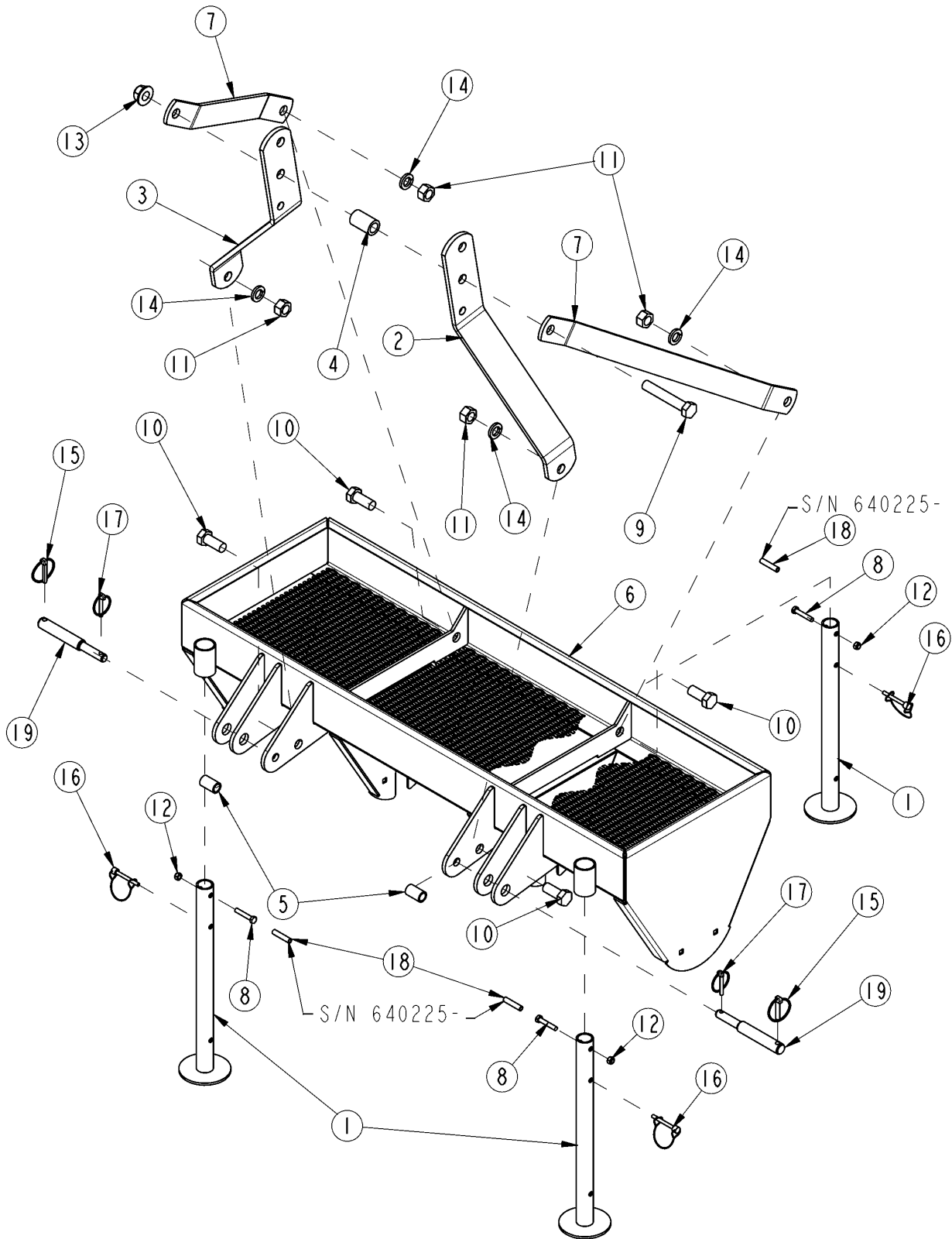
Serial Numbers

Always use the serial and model number when ordering parts. Refer to the Operator's Manual for serial number plate location.

- (S/N 20001+) Includes serial numbers 20001 and above (to the latest number)
- (S/N 10001 to 20000) Includes serial numbers between and including 10001 and 20000
- (S/N 10000-) Includes serial numbers 10000 and below (to the earliest number)

Frame & Hitch Components

Applies to CA1548, CA1556, CA1564, CA1572



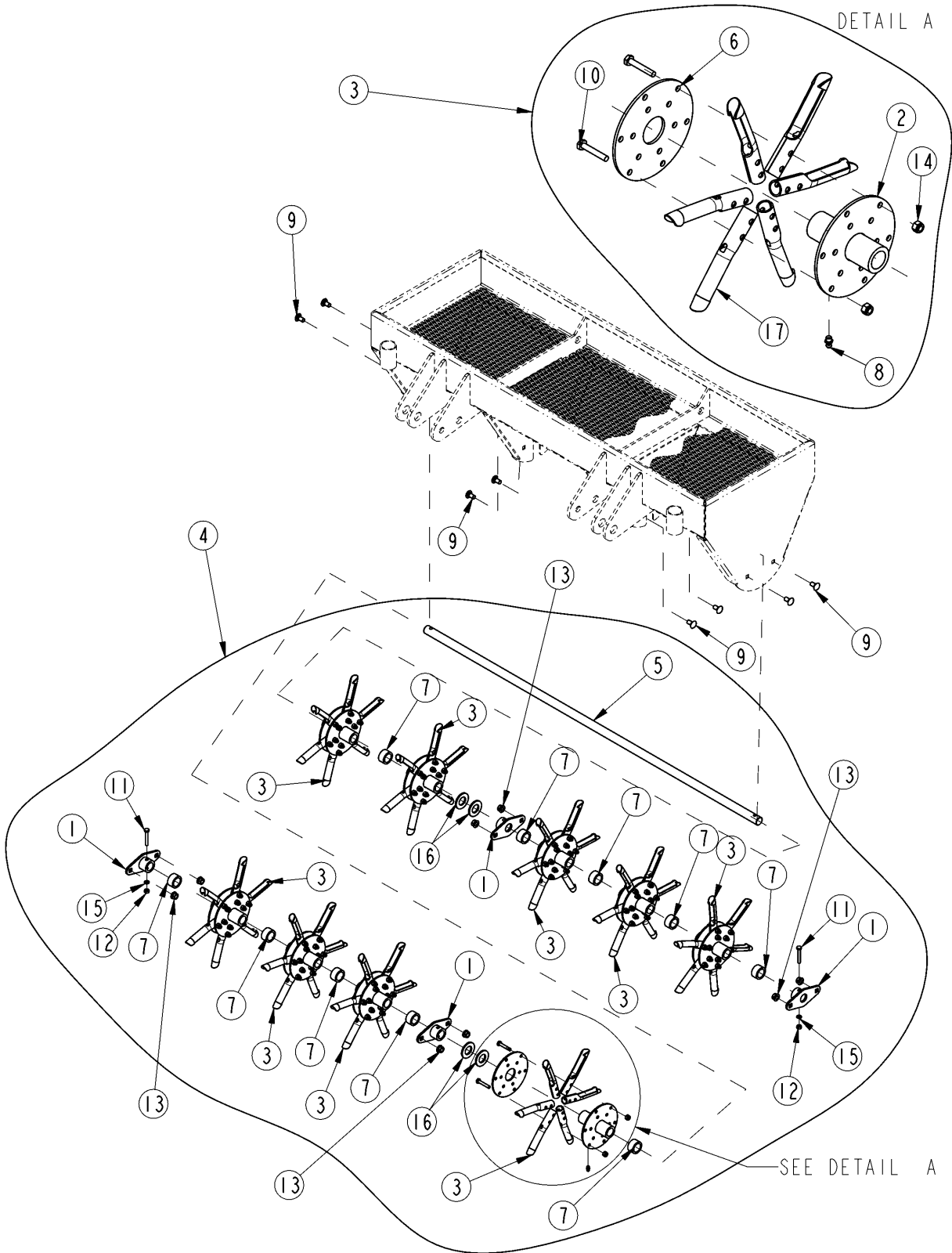
27912

Frame & Hitch Components**Applies to CA1548, CA1556, CA1564, CA1572**

Ref	Part No.	Part Description	Comments	Revision
	dwg27912	Drawing Image Number		
1.	300-003H	SUPPORT STAND RB05/LR05		
1.	300-003H82	SUPPORT STAND RB05/LR05 ORANGE		
2.	303-136D	HITCH TOP LH STRAP		
2.	303-136D82	HITCH TOP LH STRAP ORANGE		
3.	303-137D	HITCH TOP RH STRAP		
3.	303-137D82	HITCH TOP RH STRAP ORANGE		
4.	308-400D	SPACER 1 1/4OD X 13/16ID X 2LG		
5.	311-639D	BUSHING CAT 0 TO CAT 1		
6.	325-076H	FRAME WELDMENT, 48		
6.	325-076H82	FRAME WELDMENT, 48 ORANGE		
6.	325-082H	FRAME WELDMENT, 56		
6.	325-082H82	FRAME WELDMENT, 56 ORANGE		
6.	325-083H	FRAME WELDMENT, 64		
6.	325-083H82	FRAME WELDMENT, 64 ORANGE		
6.	325-084H	FRAME WELDMENT, 72		
6.	325-084H82	FRAME WELDMENT, 72 ORANGE		
7.	325-136D	STRAP, HITCH BRACE		
7.	325-136D82	STRAP, HITCH BRACE ORANGE		
8.	802-013C	HHCS 5/16-18X1 3/4 GR5	S/N 640226+	
9.	802-192C	HHCS 3/4-10X4 1/2 GR5		
10.	802-392C	HHCS 3/4-10X1 3/4 GR5		
11.	803-027C	NUT HEX 3/4-10 PLT		
12.	803-084C	NUT HEX NYLOCK 5/16-18 PLT	S/N 640226+	
13.	803-299C	NUT HEX FLG TOP LK 3/4-10 PLT		
14.	804-023C	WASHER LOCK SPRING 3/4 PLT		
15.	805-015C	PIN LINCH 5/16 X 1 3/4		
16.	805-065C	PIN WIRE RETAINING 1/4 X 1 3/4		
17.	805-126C	PIN LINCH 1/4 X 1 3/4 PLT		
18.	805-161C	PIN ROLL 3/8 X 1 3/4 LG PLT	S/N 640225-	
19.	805-377C	LOWER HITCH PIN 05 TILLER		

Rotor Assembly 48 & 56

Applies to CA1548, CA1556



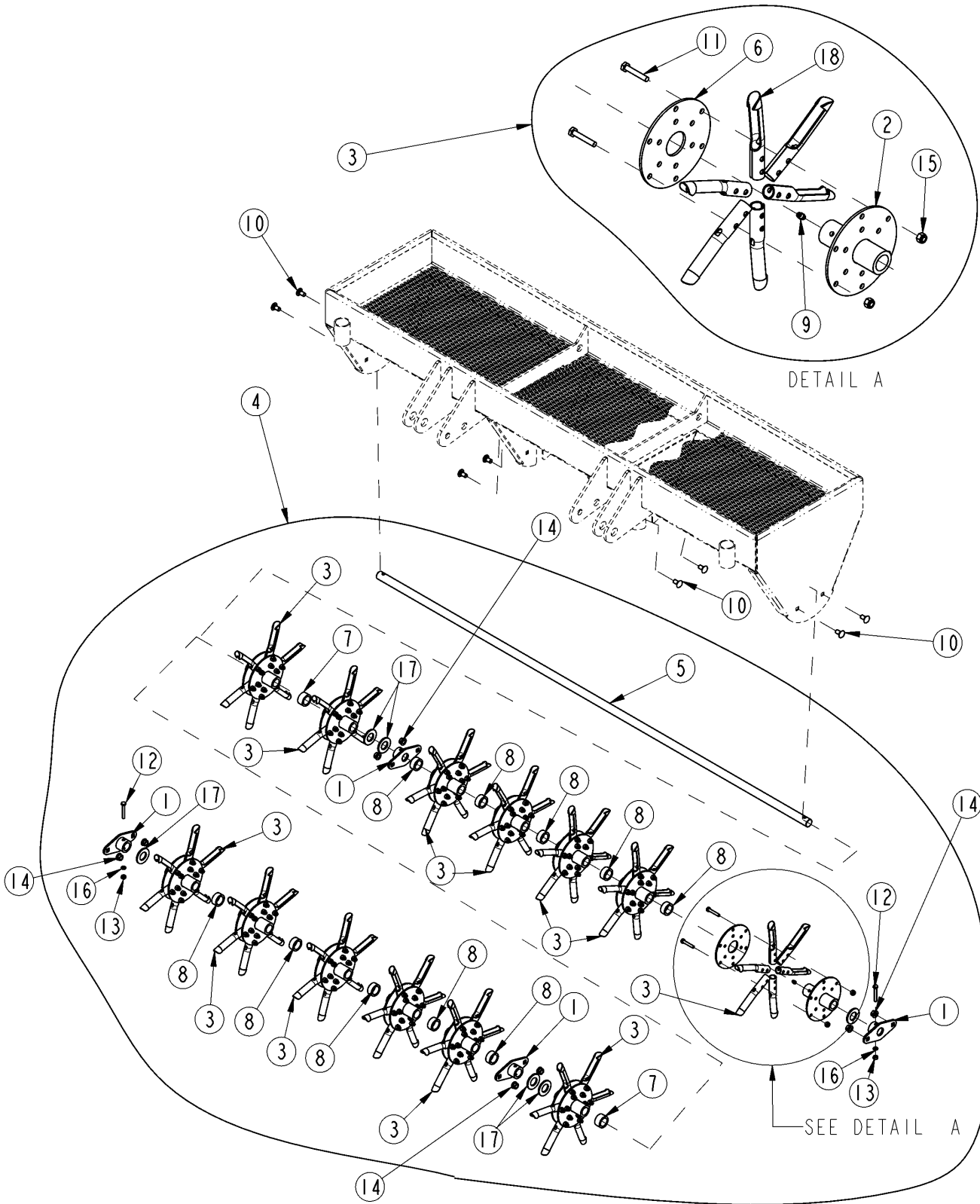
27914

Rotor Assembly 48 & 56**Applies to CA1548, CA1556**

Ref	Part No.	Part Description	Comments	Revision
	dwg27914	Drawing Image Number		
1.	325-078H	WMT, ROTOR HANGER		
2.	325-079H	WMT, ROTOR TINE		
3.	325-080S	ASY, ROTOR TINE		
4.	325-081K	ASY, 48" ROTOR TINE		
4.	325-085K	ASY, 56" ROTOR TINE		
5.	325-129D	ROTOR SHAFT, 48		
5.	325-144D	ROTOR SHAFT, 56		
6.	325-148D	FLANGE, 8 TINE ROTOR WMT		
7.	325-149D	PIPE SCH 80 1X11/16L BLACK		
8.	800-080C	GREASE ZERK 1/4-28 THD FORMING		
9.	802-149C	RHSNB 3/8-16X3/4 GR5		
10.	802-167C	HHCS 1/4-20X1 1/2 GR5		
11.	802-370C	HHCS 1/4-20X1 3/4 GR5		
12.	803-006C	NUT HEX 1/4-20 PLT		
13.	803-209C	NUT FLANGE LOCK 3/8-16 PLT		
14.	803-255C	NUT HEX NYLOCK 1/4-20		
15.	804-006C	WASHER LOCK SPRING 1/4 PLT		
16.	804-026C	WASHER FLAT 7/8 SAE PLT		
17.	820-420C	1/2" HARDENED AERATOR SPOON	54 Ea. per 48" Unit & 66 Ea. per 56" Unit	

Rotor Assembly 64

Applies to CA1564



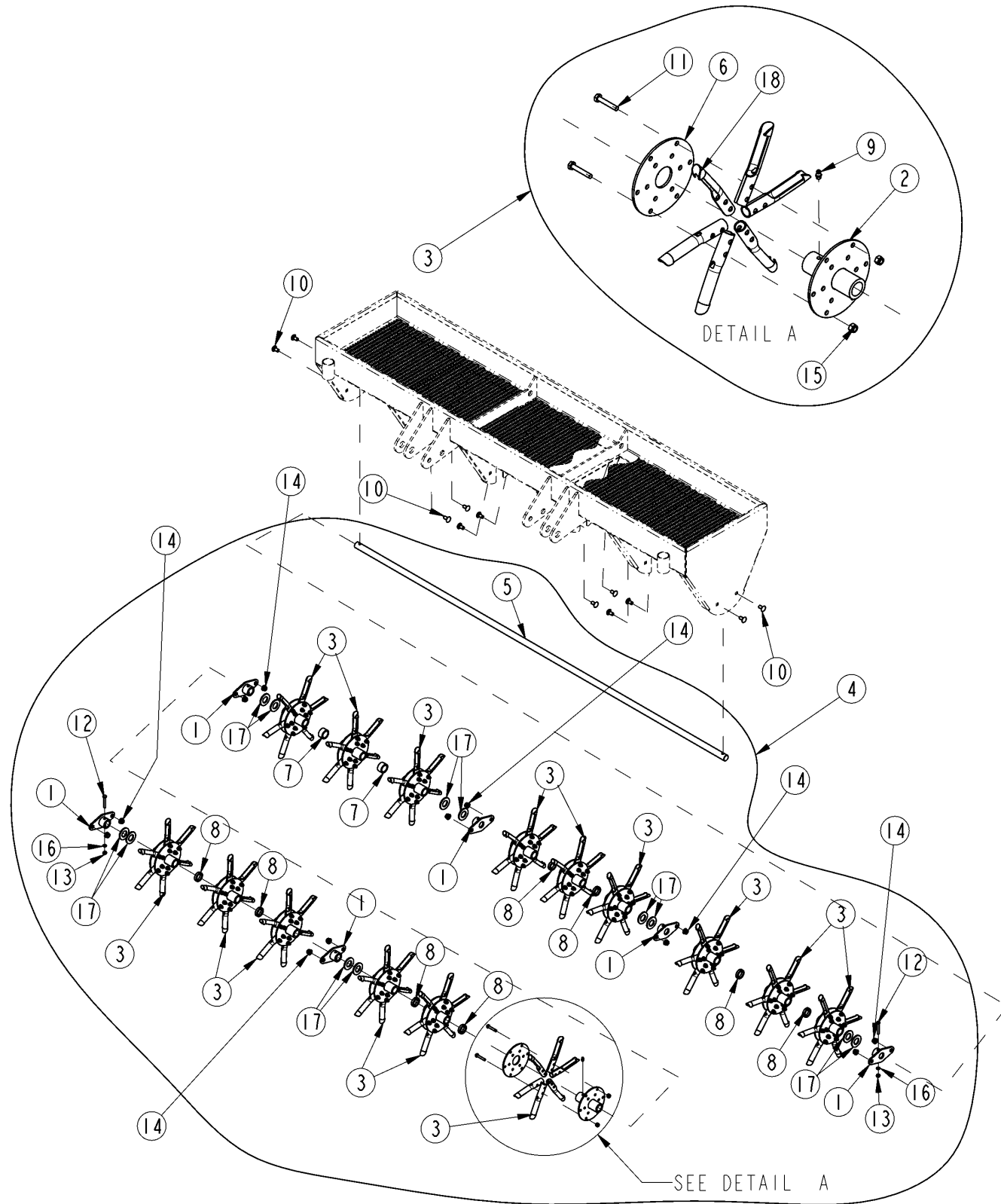
27918

Rotor Assembly 64**Applies to CA1564**

Ref	Part No.	Part Description	Comments	Revision
	dwg27918	Drawing Image Number		
1.	325-078H	WMT, ROTOR HANGER		
2.	325-079H	WMT, ROTOR TINE		
3.	325-080S	ASY, ROTOR TINE		
4.	325-086K	ASY, 64" ROTOR TINE		
5.	325-145D	ROTOR SHAFT, 64		
6.	325-148D	FLANGE, 8 TINE ROTOR WMT		
7.	325-149D	PIPE SCH 80 1X11/16L BLACK		
8.	325-150D	PIPE SCH 80 1X9/16L BLACK		
9.	800-080C	GREASE ZERK 1/4-28 THD FORMING		
10.	802-149C	RHSNB 3/8-16X3/4 GR5		
11.	802-167C	HHCS 1/4-20X1 1/2 GR5		
12.	802-370C	HHCS 1/4-20X1 3/4 GR5		
13.	803-006C	NUT HEX 1/4-20 PLT		
14.	803-209C	NUT FLANGE LOCK 3/8-16 PLT		
15.	803-255C	NUT HEX NYLOCK 1/4-20		
16.	804-006C	WASHER LOCK SPRING 1/4 PLT		
17.	804-026C	WASHER FLAT 7/8 SAE PLT		
18.	820-420C	1/2" HARDENED AERATOR SPOON	78 Ea. per Unit	

Rotor Assembly 72

Applies to CA1572



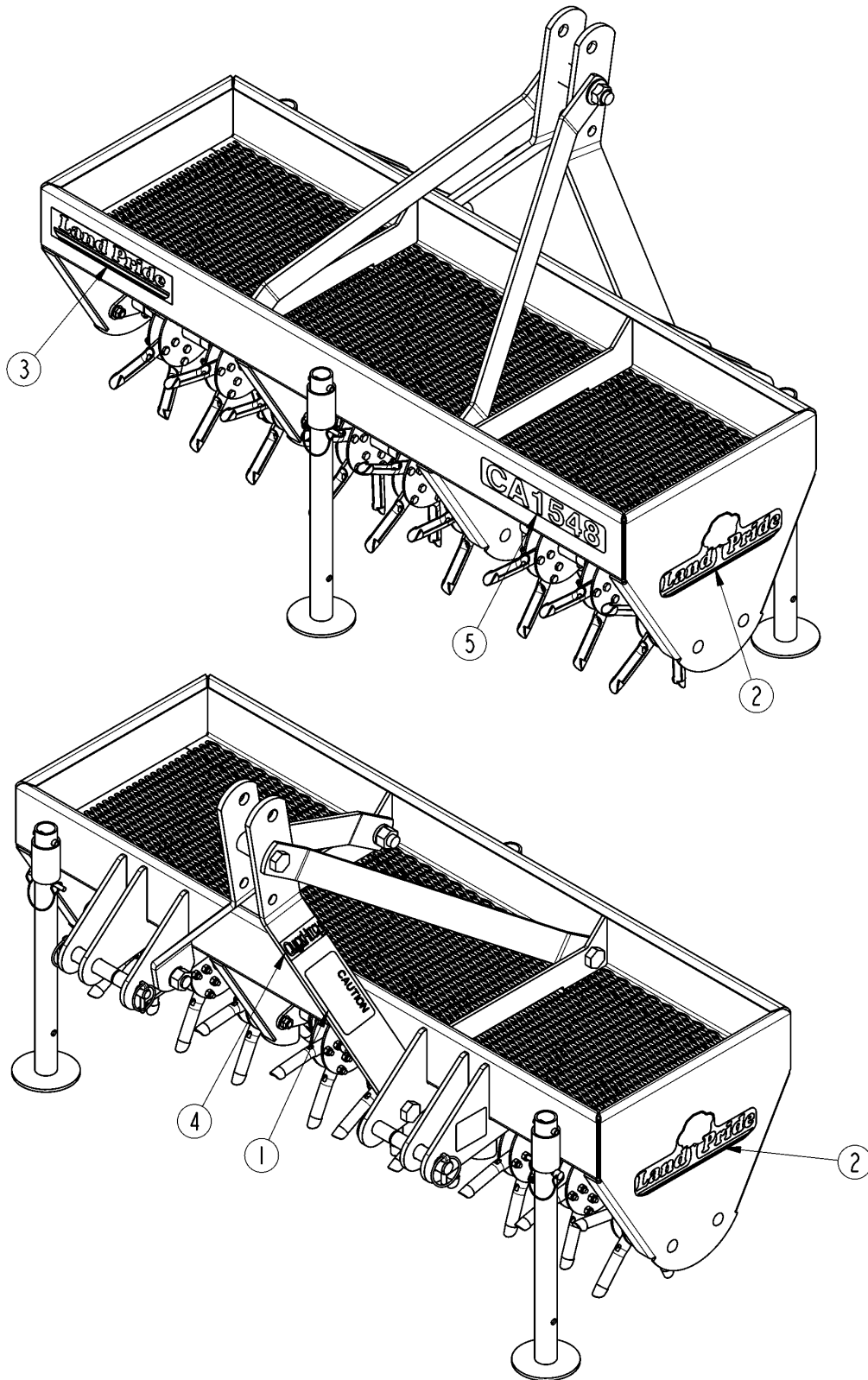
27919

Rotor Assembly 72**Applies to CA1572**

Ref	Part No.	Part Description	Comments	Revision
	dwg27919	Drawing Image Number		
1.	325-078H	WMT, ROTOR HANGER		
2.	325-079H	WMT, ROTOR TINE		
3.	325-080S	ASY, ROTOR TINE		
4.	325-087K	ASY, 72" ROTOR TINE		
5.	325-146D	ROTOR SHAFT, 72		
6.	325-148D	FLANGE, 8 TINE ROTOR WMT		
7.	325-149D	PIPE SCH 80 1X11/16L BLACK		
8.	325-151D	PIPE SCH 80 1X9/32L BLACK		
9.	800-080C	GREASE ZERK 1/4-28 THD FORMING		
10.	802-149C	RHSNB 3/8-16X3/4 GR5		
11.	802-167C	HHCS 1/4-20X1 1/2 GR5		
12.	802-370C	HHCS 1/4-20X1 3/4 GR5		
13.	803-006C	NUT HEX 1/4-20 PLT		
14.	803-209C	NUT FLANGE LOCK 3/8-16 PLT		
15.	803-255C	NUT HEX NYLOCK 1/4-20		
16.	804-006C	WASHER LOCK SPRING 1/4 PLT		
17.	804-026C	WASHER FLAT 7/8 SAE PLT		
18.	820-420C	1/2" HARDENED AERATOR SPOON	90 Ea. per Unit	

Decal Placement

Applies to CA1548, CA1556, CA1564, CA1572



27915

Decal Placement**Applies to CA1548, CA1556, CA1564, CA1572**

Ref	Part No.	Part Description	Comments	Revision
	Dwg 27915	Drawing Image Number		
1.	818-719C	DECAL CAUTION GENERAL INSTR		
2.	818-890C	RPBY 838-963C	Beige Unit	
2.	838-963C	DECAL LP 10" W/TREE BROWN/GOLD	Orange Unit	
3.	818-897C	RPBY 848-159C	Beige Unit	
3.	848-159C	DECAL LANDPRIDE 10" BROWN/GOLD	Orange Unit	
4.	838-517C	DECAL QUICK HITCH SYSTEM		
5.	848-417C	DECAL CA1548-GOLD		
5.	848-418C	DECAL CA1556-GOLD		
5.	848-419C	DECAL CA1564-GOLD		
5.	848-420C	DECAL CA1572-GOLD		
5.	848-421C	RPBY 848-417C	Obsolete	
5.	848-422C	RPBY 848-418C	Obsolete	
5.	848-423C	RPBY 848-419C	Obsolete	
5.	848-424C	RPBY 848-420C	Obsolete	

Land Pride Touch-up Paints

Applies to CA1548, CA1556, CA1564, CA1572

No diagram associated with this Parts List

Land Pride Touch-up Paints**Applies to CA1548, CA1556, CA1564, CA1572**

Ref	Part No.	Part Description	Comments	Revision
1.	821-011C	LP BEIGE SPRAY CAN	Spray can	
1.	821-070C	GLOSS BLACK SPRAY CAN	Spray can	
1.	821-054C	MED. RED SPRAY TRCK/CTR	Spray can	
1.	821-058C	GREEN SPRAY CUTTERS	Spray can	
1.	821-066C	ORANGE SPRAY CAN	Spray can	
1.	821-067C	BLUE SPRAY CAN	Spray can	
1.	821-080C	PAINT ALUMINUM/ZINC SPRAY CAN	Spray can	
2.	821-011CTU	LP BEIGE TOUCH-UP 5OZ	Touch-up bottle with brush	
2.	821-070CTU	GLOSS BLACK TOUCH-UP 5OZ	Touch-up bottle with brush	
2.	821-054CTU	MED RED TOUCH-UP 5OZ	Touch-up bottle with brush	
2.	821-058CTU	GREEN TOUCH-UP 5OZ	Touch-up bottle with brush	
2.	821-066CTU	ORANGE TOUCH-UP 5OZ	Touch-up bottle with brush	
2.	821-067CTU	BLUE TOUCH-UP 5OZ	Touch-up bottle with brush	
2.	821-080CTU	PAINT ALUMINUM/ZINC TOUCH UP	Touch-up bottle with brush	
3.	821-011CQT	LP BEIGE QUART	Quart can	
3.	821-070CQT	GLOSS BLACK QUART	Quart can	
3.	821-054CQT	MED RED QUART	Quart can	
3.	821-058CQT	GREEN QUART	Quart can	
3.	821-066CQT	ORANGE QUART	Quart can	
3.	821-067CQT	BLUE QUART	Quart can	
3.	821-080CQT	PAINT ALUMINUM/ZINC QUART	Quart can	
4.	821-011CGL	LP BEIGE GALLON	Gallon can	
4.	821-070CGL	GLOSS BLACK GALLON	Gallon can	
4.	821-054CGL	MED RED GALLON	Gallon can	
4.	821-058CGL	GREEN GALLON	Gallon can	
4.	821-066CGL	ORANGE GALLON	Gallon can	
4.	821-067CGL	BLUE GALLON	Gallon can	
4.	821-080CGL	PAINT ALUMINUM/ZINC GALLON	Gallon can	



Part Number Index

The Part Number Index is a numeric index of all part numbers included in this manual. The index shows what page(s) the part is used on.

Part Number	Page	Part Number	Page
300-003H	7	821-066C	17
300-003H82	7	821-066CGL	17
303-136D	7	821-066CQT	17
303-136D82	7	821-066CTU	17
303-137D	7	821-067C	17
303-137D82	7	821-067CGL	17
308-400D	7	821-067CQT	17
311-639D	7	821-067CTU	17
325-076H	7	821-070C	17
325-076H82	7	821-070CGL	17
325-078H	9, 11, 13	821-070CQT	17
325-079H	9, 11, 13	821-070CTU	17
325-080S	9, 11, 13	821-080C	17
325-081K	9	821-080CGL	17
325-082H	7	821-080CQT	17
325-082H82	7	821-080CTU	17
325-083H	7	838-517C	15
325-083H82	7	838-963C	15
325-084H	7	848-159C	15
325-084H82	7	848-417C	15
325-085K	9	848-418C	15
325-086K	11	848-419C	15
325-087K	13	848-420C	15
325-129D	9	848-421C	15
325-136D	7	848-422C	15
325-136D82	7	848-423C	15
325-144D	9	848-424C	15
325-145D	11	Dwg 27915	15
325-146D	13	dwg27912	7
325-148D	9, 11, 13	dwg27914	9
325-149D	9, 11, 13	dwg27918	11
325-150D	11	dwg27919	13
325-151D	13		
800-080C	9, 11, 13		
802-013C	7		
802-149C	9, 11, 13		
802-167C	9, 11, 13		
802-192C	7		
802-370C	9, 11, 13		
802-392C	7		
803-006C	9, 11, 13		
803-027C	7		
803-084C	7		
803-209C	9, 11, 13		
803-255C	9, 11, 13		
803-299C	7		
804-006C	9, 11, 13		
804-023C	7		
804-026C	9, 11, 13		
805-015C	7		
805-065C	7		
805-126C	7		
805-161C	7		
805-377C	7		
818-719C	15		
818-890C	15		
818-897C	15		
820-420C	9, 11, 13		
821-011C	17		
821-011CGL	17		
821-011CQT	17		
821-011CTU	17		
821-054C	17		
821-054CGL	17		
821-054CQT	17		
821-054CTU	17		
821-058C	17		
821-058CGL	17		
821-058CQT	17		
821-058CTU	17		

This Page Intentionally Left Blank



Great Plains Manufacturing, Inc.

Corporate Office: P.O. Box 5060
Salina, Kansas 67402-5060 USA

www.landpride.com
